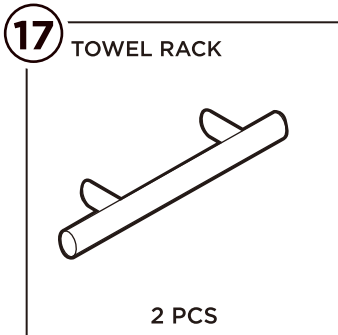
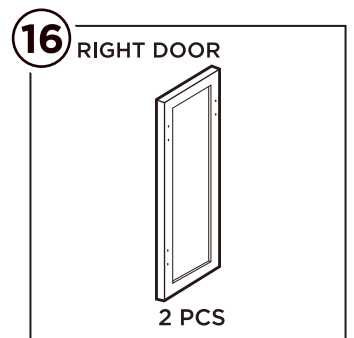
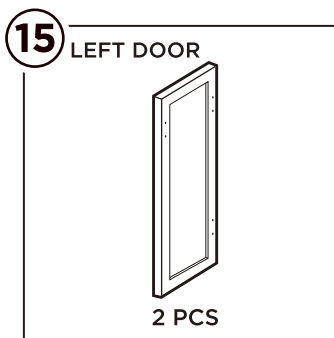
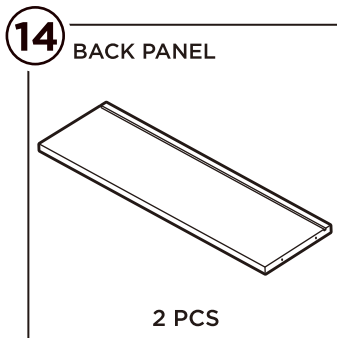
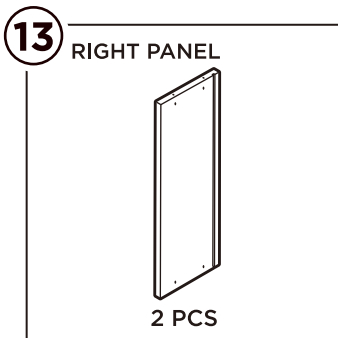
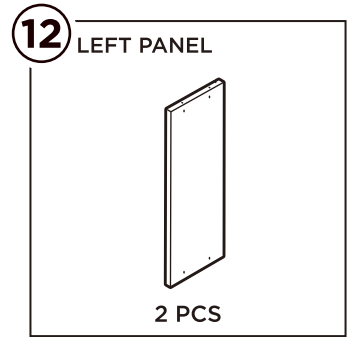
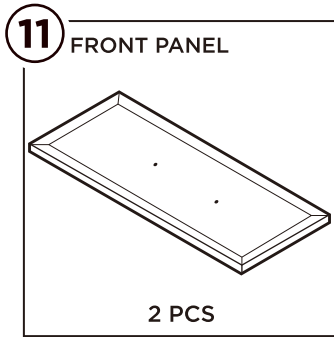
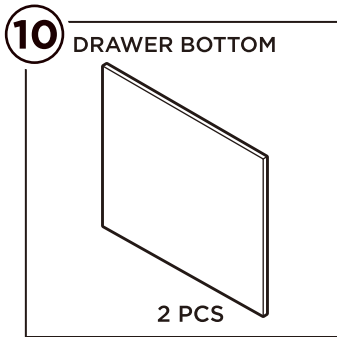
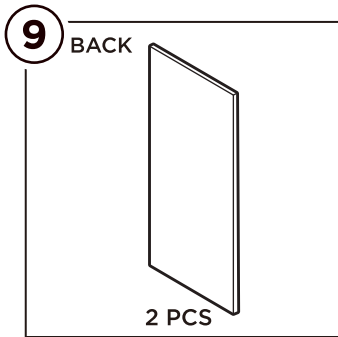
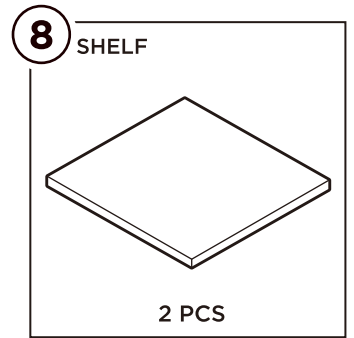
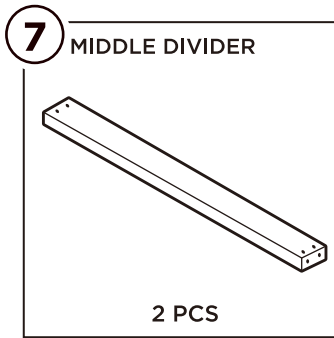
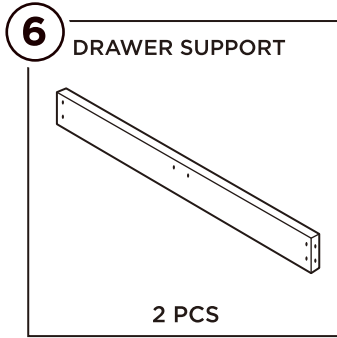
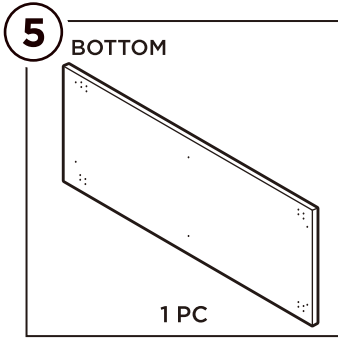
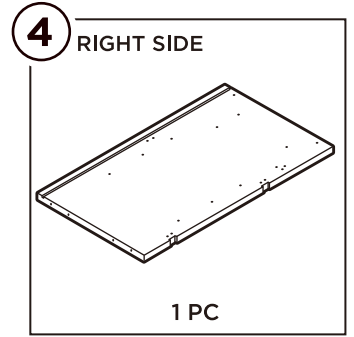
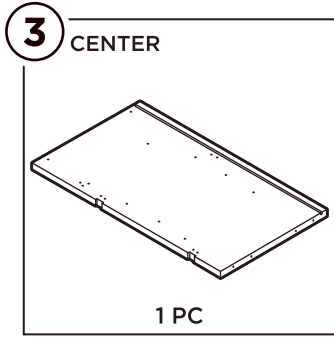
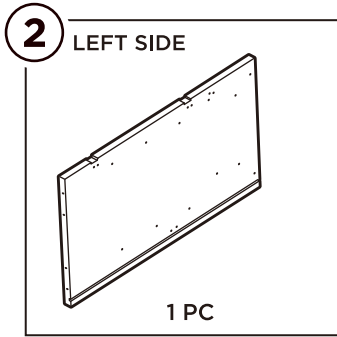
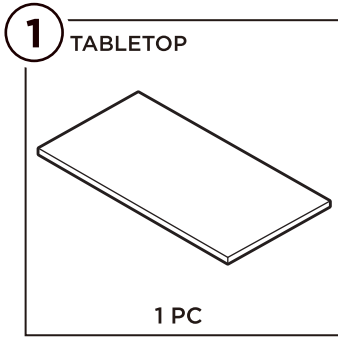





USER'S MANUAL
Kitchen Island

PRODUCT ASSEMBLY




PRODUCT ASSEMBLY

A M6 x 35mm
CAM BOLT



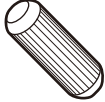
30 PCS

B M10 x 15mm
CAM LOCK




30 PCS

C M6 x 30mm
DOWEL




12 PCS

D M3 x 12mm
SCREW



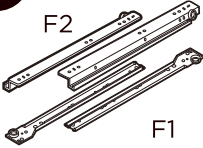
52 PCS

E M4 x 30mm
SCREW



8 PCS


F SLIDER (L/R)
F2



F1


2 SETS

G HANDLE




6 PCS

H M4 x 20mm
SCREW



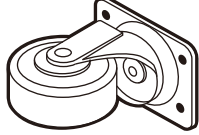
12 PCS

I 4 x 35mm
SCREW



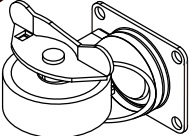
6 PCS

J LOCKING CASTER




2 PCS

K LOCKING CASTER



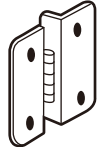
2 PCS

L M4 x 35mm
SCREW




4 PCS

M HINGE



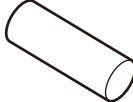
8 PCS

N METAL PLATE



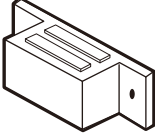
4 PCS

O PEG




8 PCS

P MAGNET




2 PCS

Q M3 x 14mm
SCREW



4 PCS

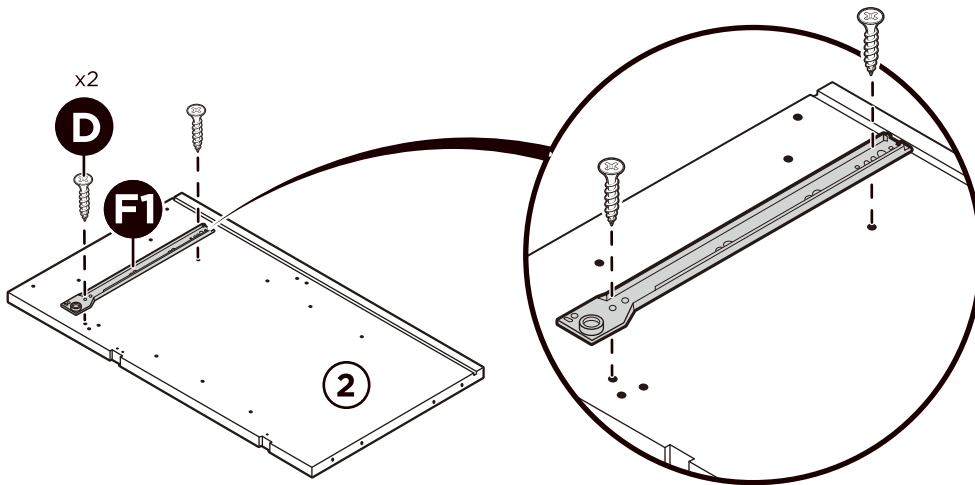
R M4 x 12mm
SCREW





16 PCS

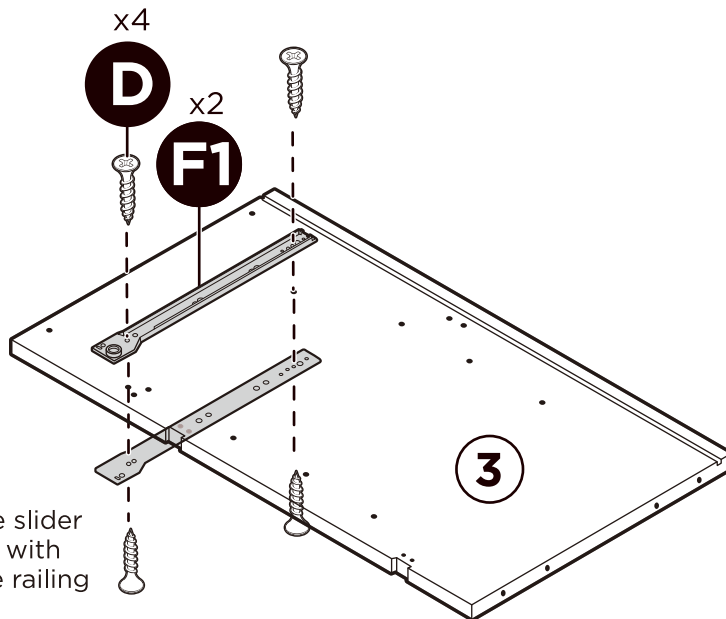
1

Attach a F1 railing from a part F slider set to the part 2 left side with two part D screws.





F1		1 PC
D		2 PCS

2

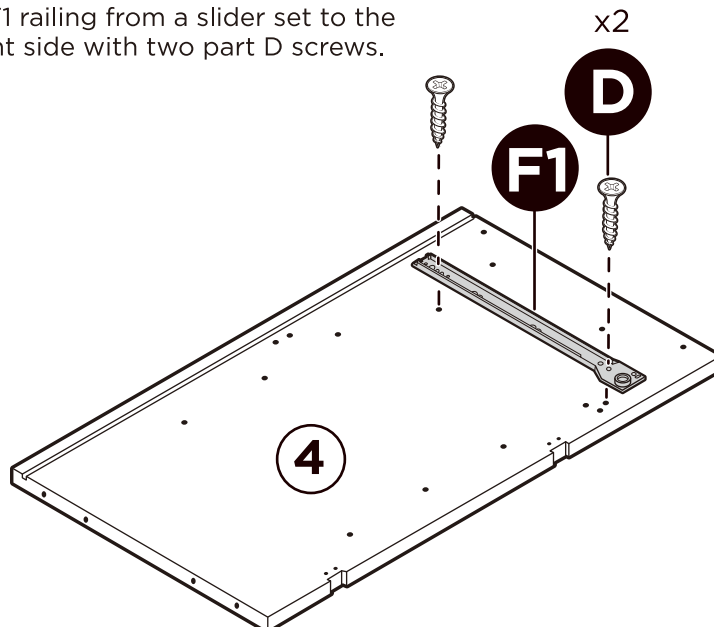


Attach two F1 railings from the slider sets to the part 3 center piece with four part D screws. Attach one railing on each side.

F1		2 PCS
D		4 PCS

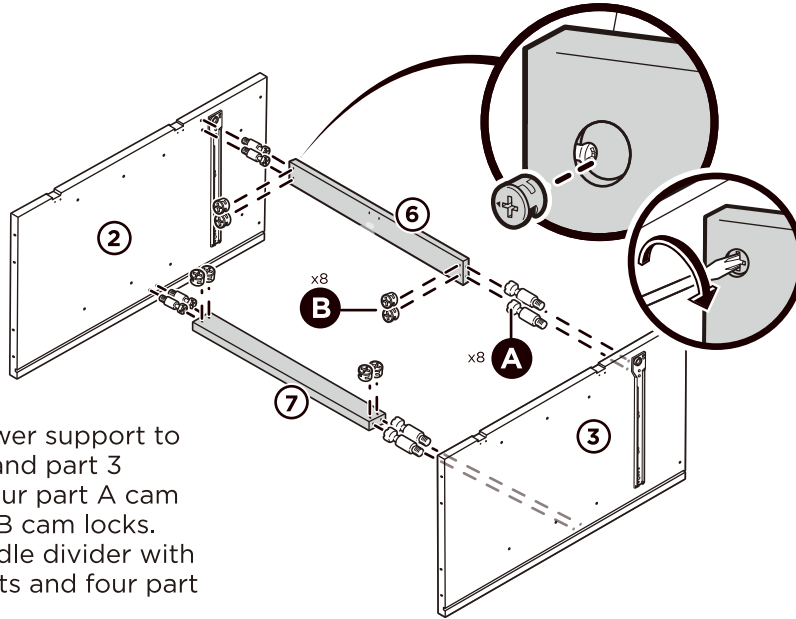
3

Attach a F1 railing from a slider set to the part 4 right side with two part D screws.



F1		1 PC
D		2 PCS

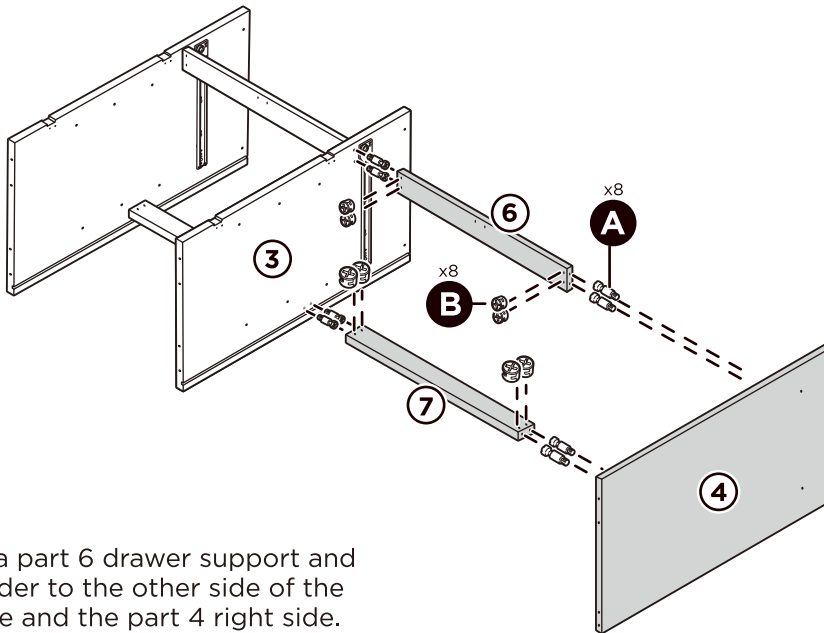
4



Attach a part 6 drawer support to the part 2 left side and part 3 center piece with four part A cam bolts and four part B cam locks. Attach a part 7 middle divider with four part A cam bolts and four part B cam locks.

A		8 PCS
B		8 PCS

5

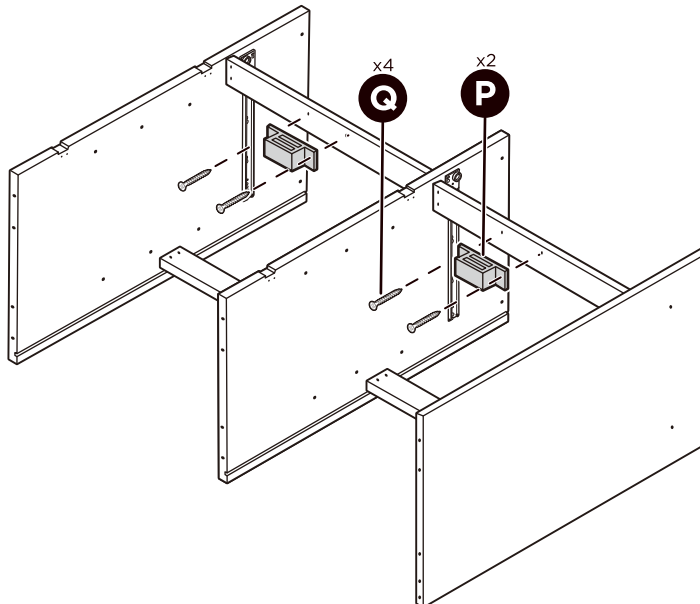


Repeat to attach a part 6 drawer support and part 7 middle divider to the other side of the part 3 center piece and the part 4 right side.

A		8 PCS
B		8 PCS

6

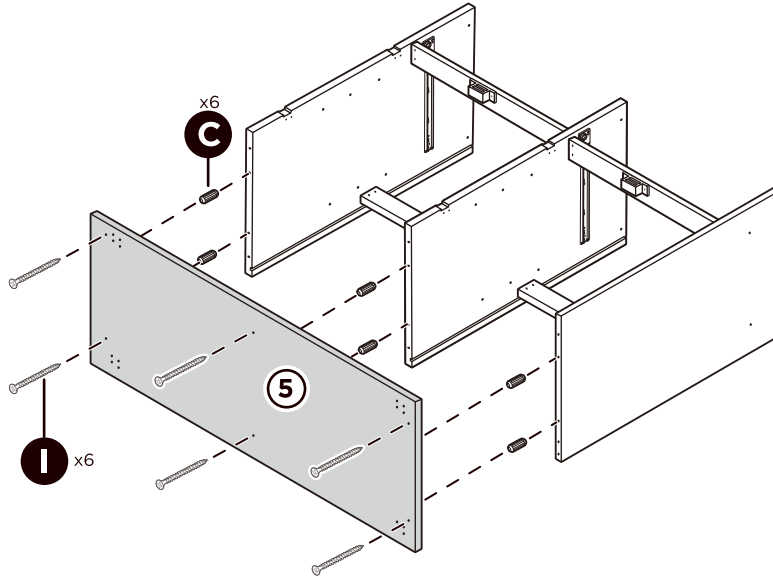
Attach two part P magnets to the drawer supports with four part Q screws.





Q		2 PCS
P		4 PCS

7

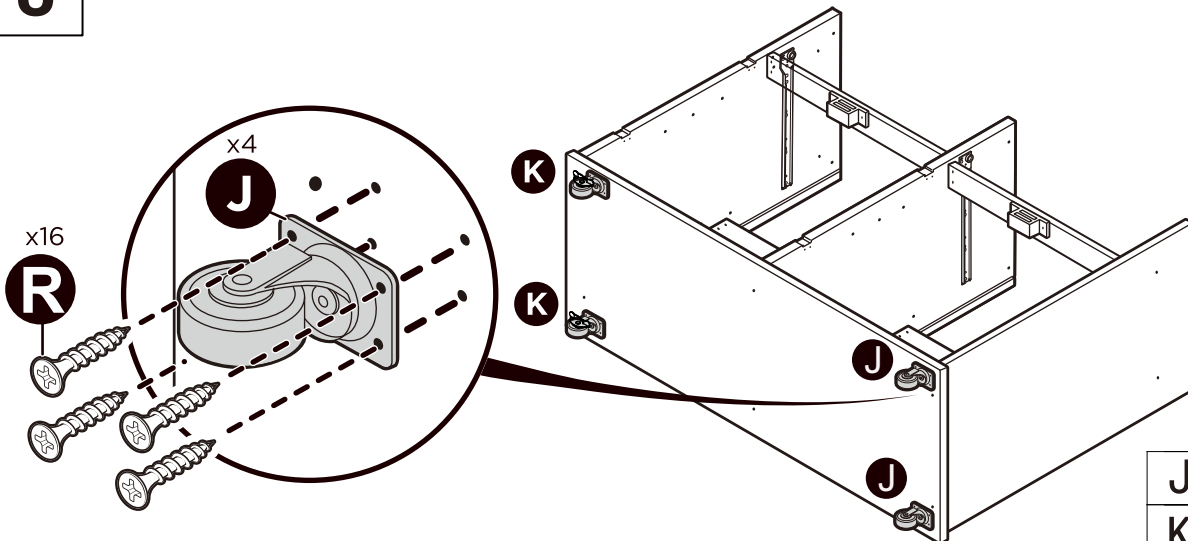
Attach the part 5 bottom piece with six part I screws and six part C dowels.






C		6 PCS
I		6 PCS

8

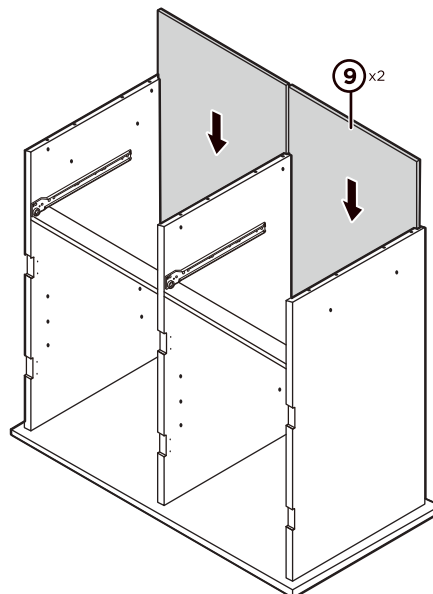
Attach four part J casters with sixteen part K screws, four screws per caster.



J		2 PCS
K		2 PCS
R		16 PCS

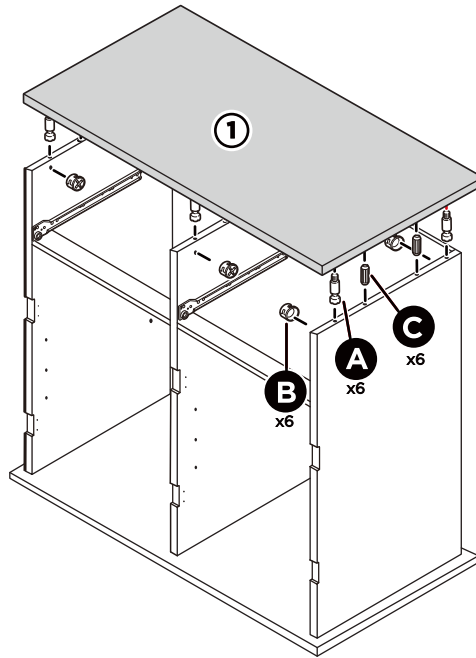
9

Stand the cart upright and slide in two part 9 back pieces.



10

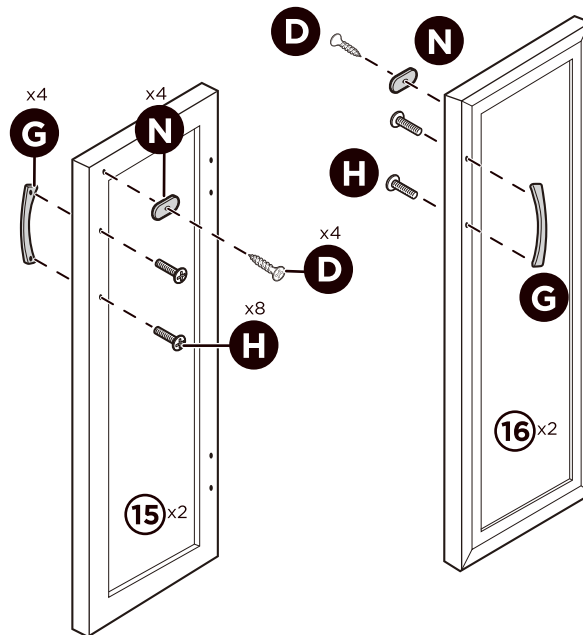
Attach the part 1 tabletop with six part A cam bolts, six part C dowels, and six part B cam locks. Turn the cam locks to secure the tabletop.



A		6 PCS
B		6 PCS
C		6 PCS

11

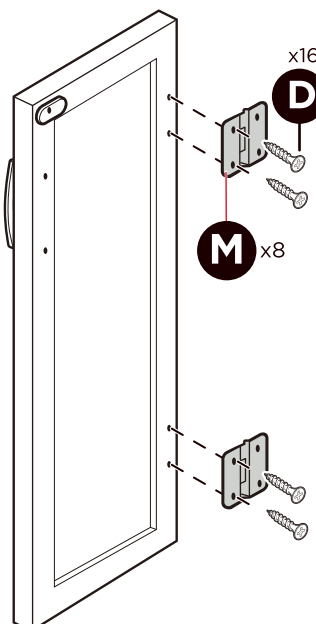
Attach a part G handle to a part 15 left door with two part H screws. Attach a part N metal plate with a part D screw. Repeat to attach handles/metal plates to another part 15 left door and two part 16 right doors.



D		4 PCS
G		4 PCS
H		8 PCS
N		4 PCS

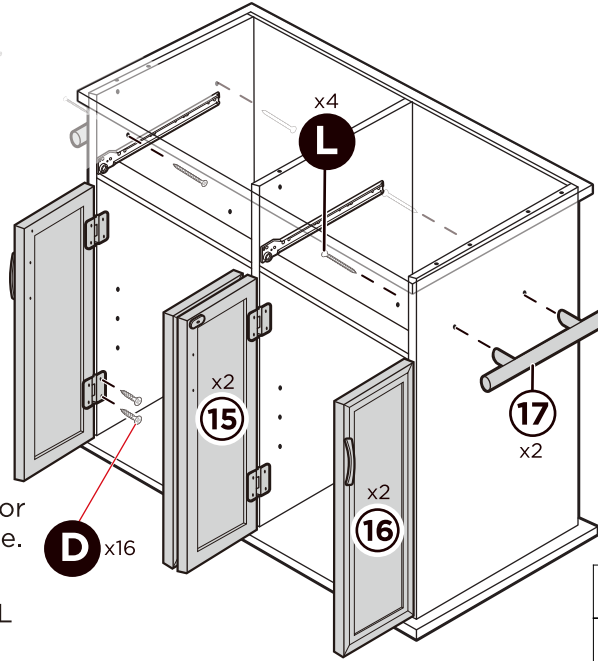
12

Attach eight part M hinges to left/right doors with sixteen part D screws, two screws per hinge.



D		16 PCS
M		8 PCS

13



Attach a part 15 left door and part 16 right door with eight part D screws, two screws per hinge. Repeat to attach the other set of doors.

Attach two part 17 towel racks with four part L screws, two screws per rack.

D x16

L x4

x2 15

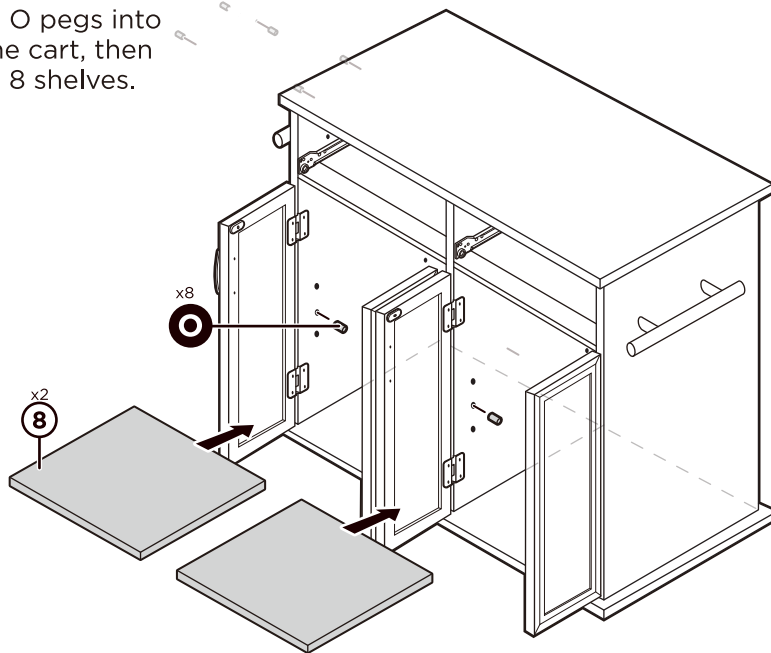
x2 16

17 x2

D		16 PCS
L		4 PCS

14

Insert eight part O pegs into the interior of the cart, then slide in two part 8 shelves.



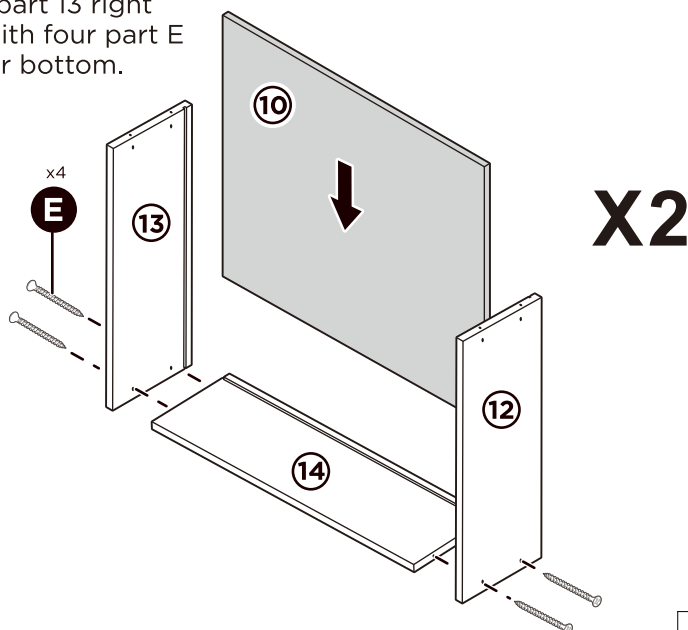
O x8

x2 8

O		8 PCS
---	--	-------

15

Attach a part 12 left panel and part 13 right panel to a part 14 back panel with four part E screws. Slide in a part 10 drawer bottom.



E x4

13

10

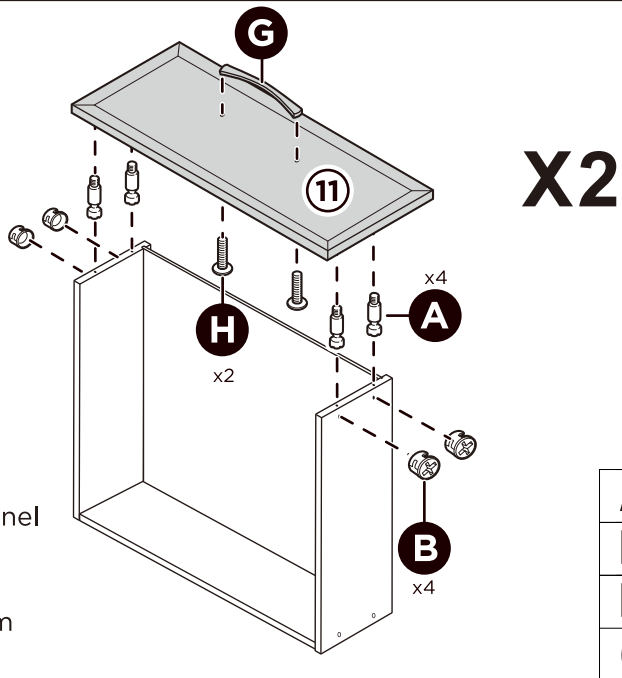
X2

12

14

E		8 PCS
---	--	-------

16

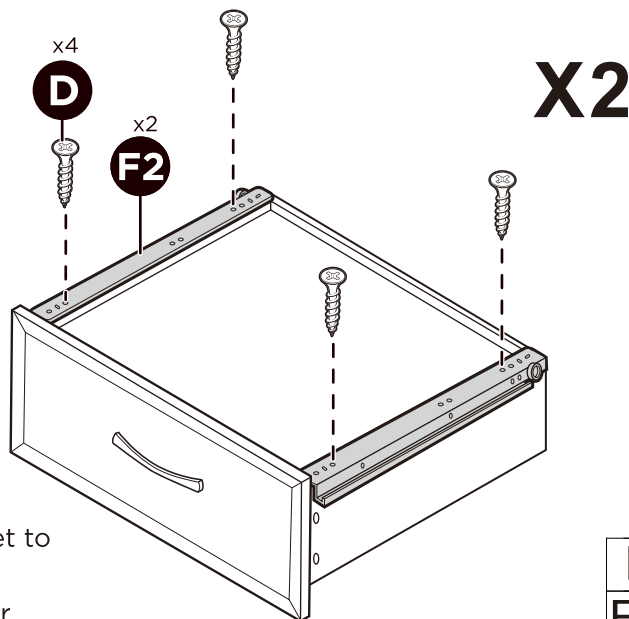


Attach a part G handle to the part 11 front panel with two part H screws.

Attach the front panel with four part A cam bolts and four part B cam locks. Turn the cam locks to secure the front panel.

A		8 PCS
B		8 PCS
H		4 PCS
G		2 PCS

17



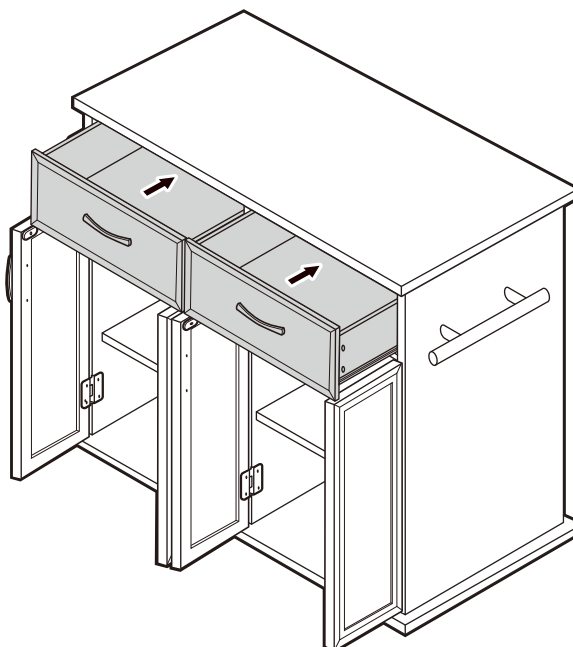
Attach two F2 railings from a part F slider set to the drawer with four part D screws.

Repeat steps 15 to 17 to build another drawer.

D		8 PCS
F2		4 PCS

18

Insert the drawers by lining up the railings on the slider sets.





TIPS:

**Your suggestions and comments for Costway are really important to us!
We sincerely solicit you to go back to our shop and leave a good rating in just a simple click.**