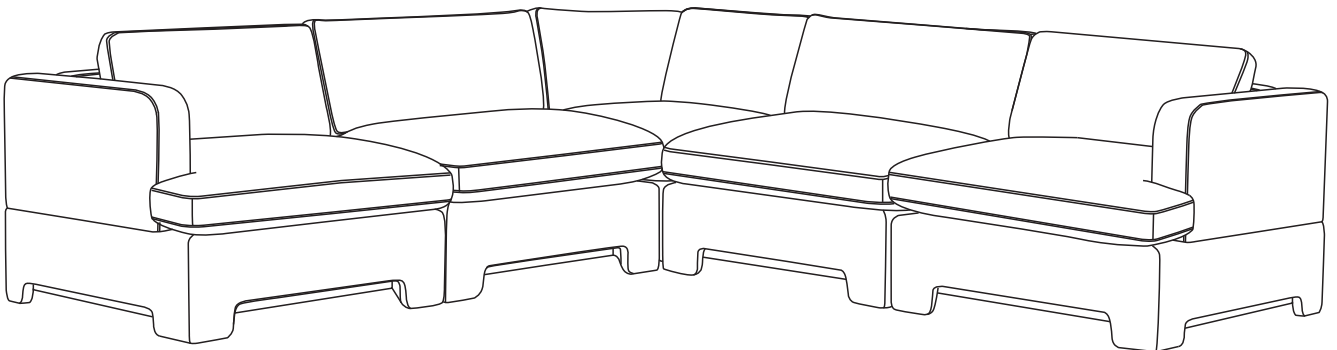


## 5 Pcs Sectional KFKJ.807 Assembly Manual

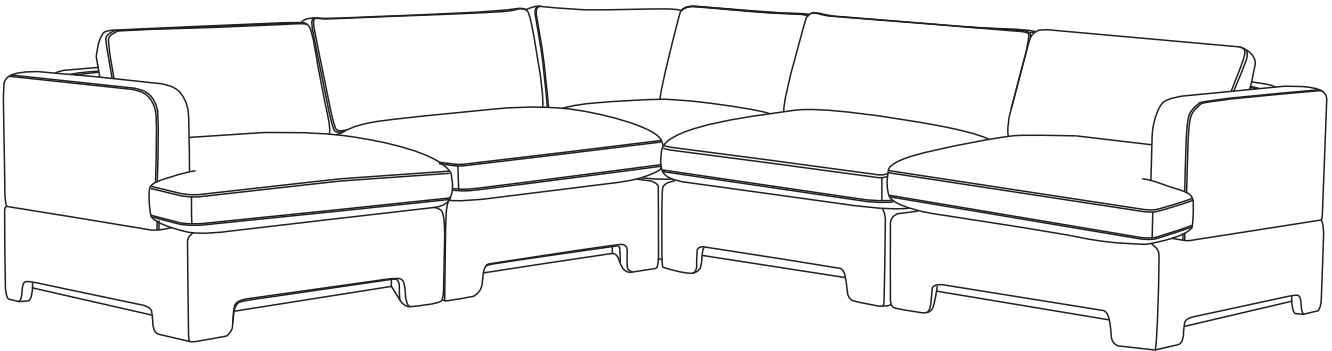


 CAUTION

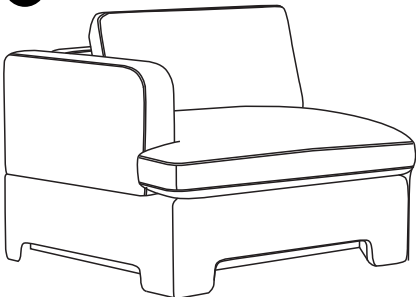
THIS ASSEMBLY MANUAL CONTAINS IMPORTANT SAFETY INFORMATION.  
PLEASE READ AND KEEP FOR FUTURE REFERENCE.

---

## COMPONENTS

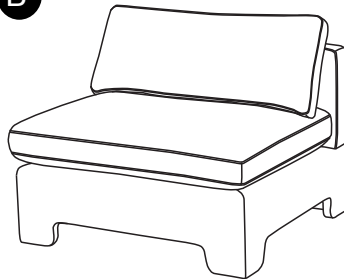


**A**



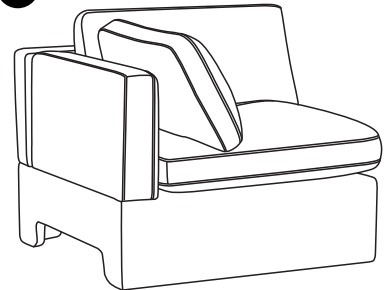
Left-arm sofa

**B**



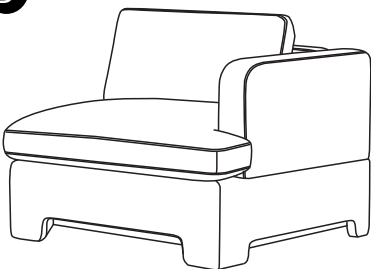
Armless sofa x2

**C**



Corner sofa

**D**

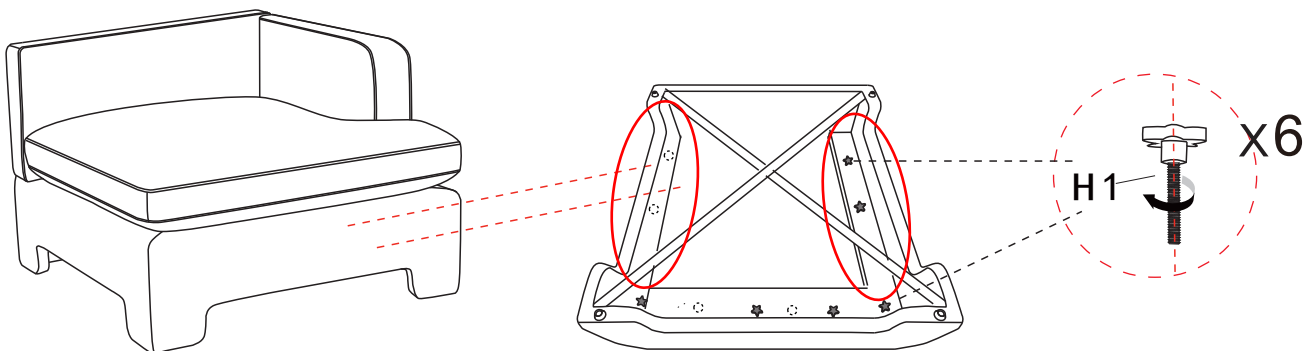
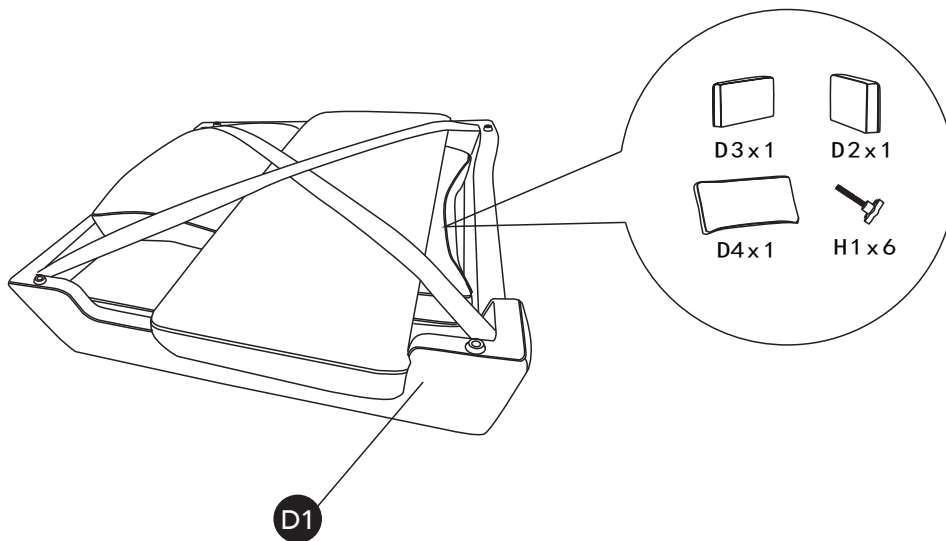
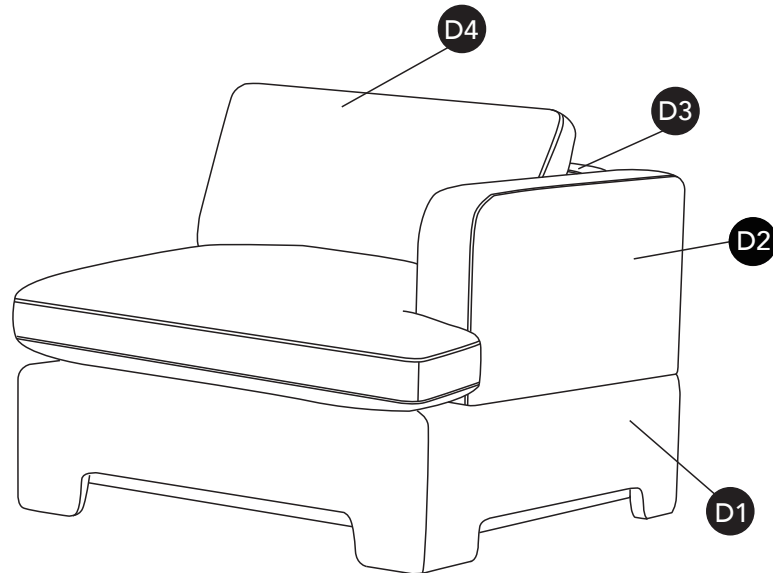


Right-arm sofa



## Assembly: Right-arm sofa

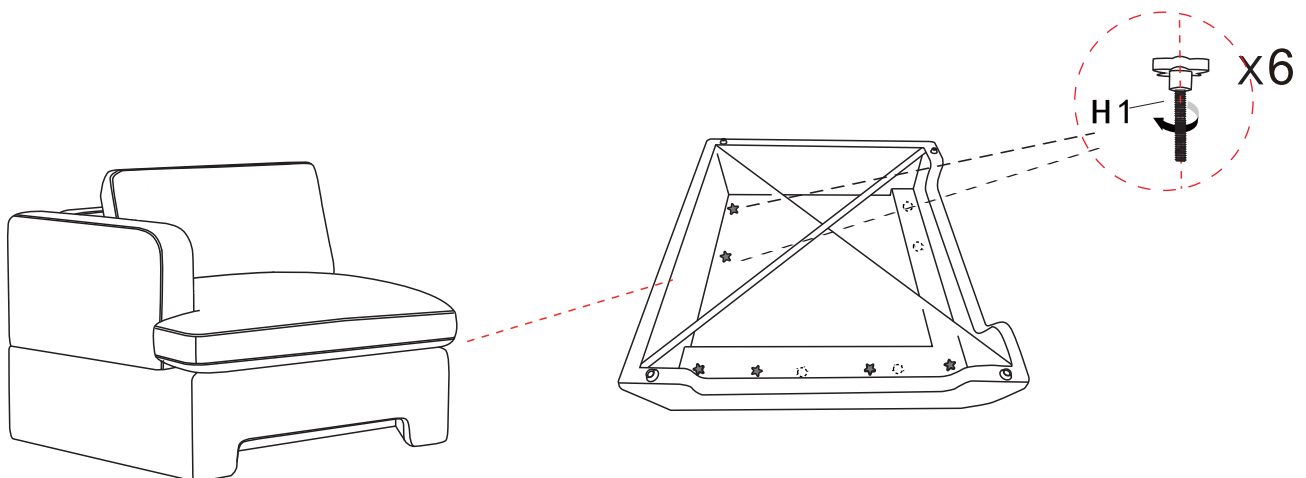
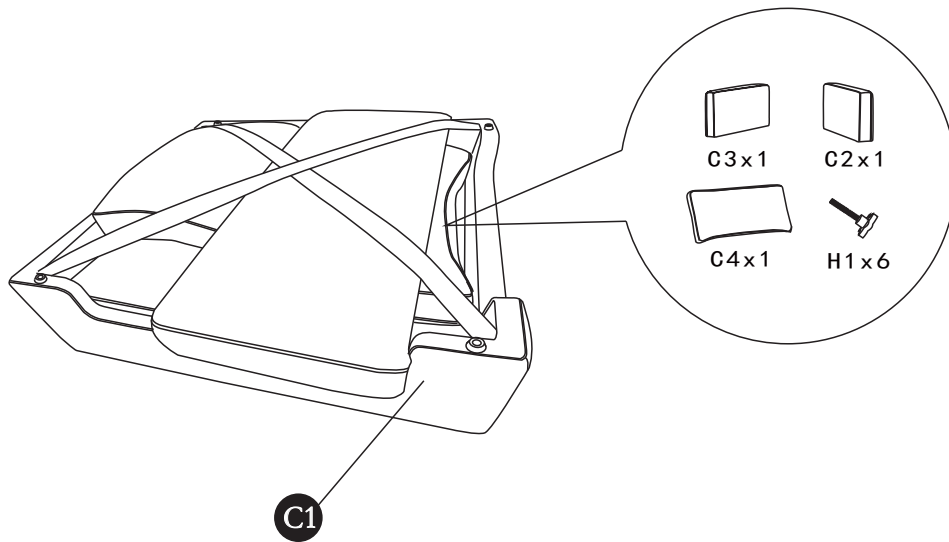
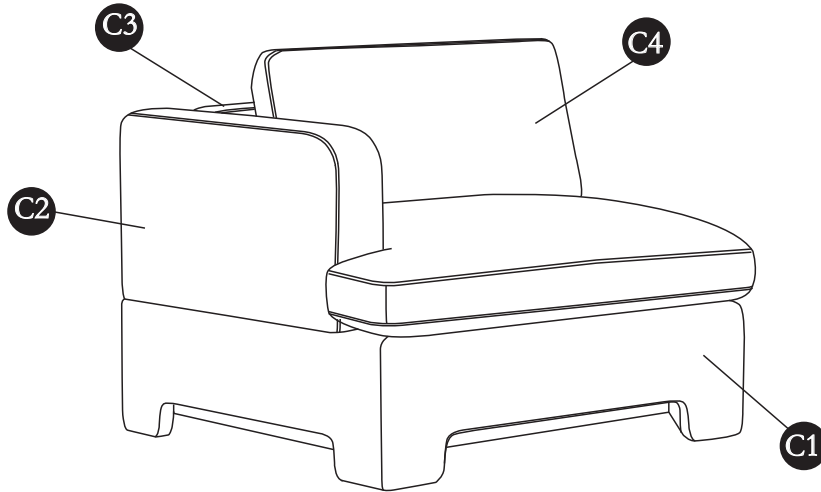
### Step 1



Note: The bases for the left-arm and right-arm sofas are interchangeable. Therefore, all the circled areas in the illustration have pre-made holes. If you find that the hole positions do not match, simply cut open the corresponding holes on the other side with scissors to complete the assembly.

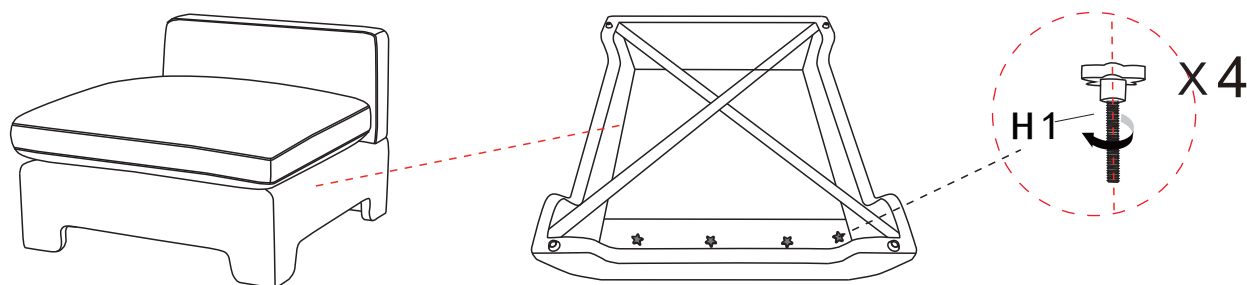
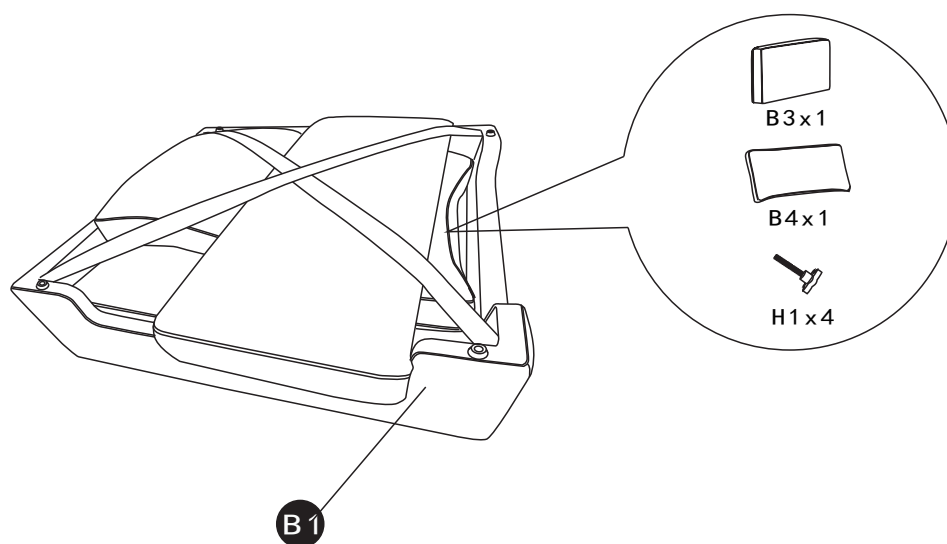
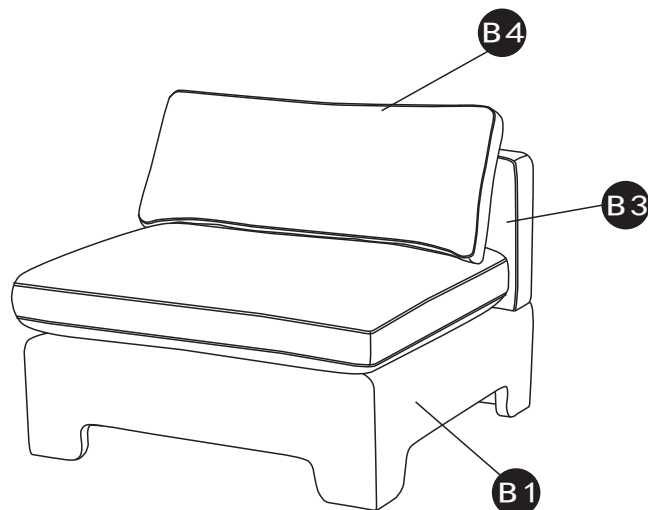
## Assembly: Left-arm sofa

### Step 1



## Assembly: Armless sofa

### Step 1



Group each sofa together.

Assembly completed.

