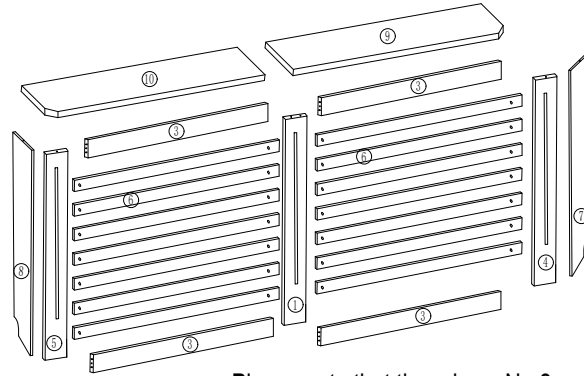
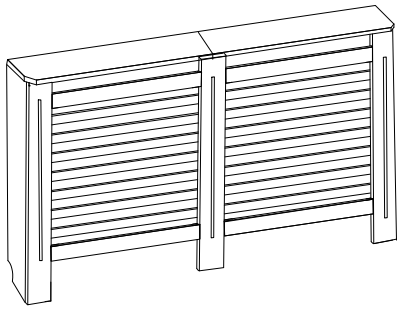


# Instruction Manual



Tools needed



hand drill

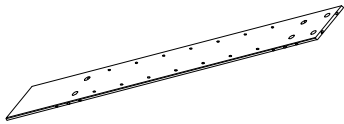


hammer

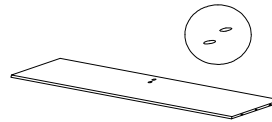


cross screwdriver

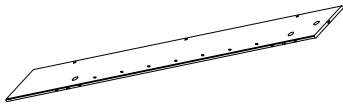
Please note that there is no No.2 panel !



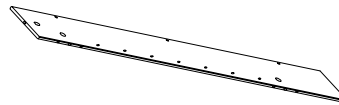
① x1 803\*110\*12mm



③ x4 581\*105\*12mm



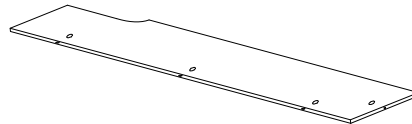
④ x1 803\*110\*12mm



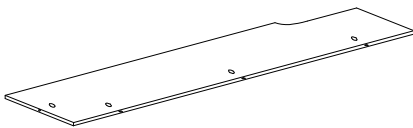
⑤ x1 803\*110\*12mm



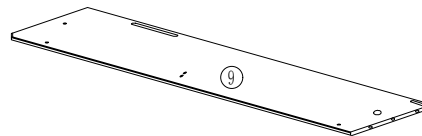
⑥ x14 641\*37\*9mm



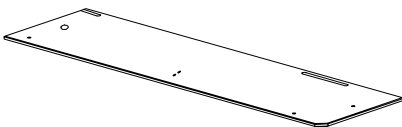
⑦ x1 803\*168\*12mm



⑧ x1 803\*168\*12mm



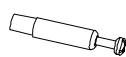
⑨ x1 760\*190\*12mm



⑩ x1 760\*190\*12mm



Ax3



Bx20



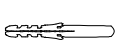
Cx22



Dx18



Ex28



Fx6



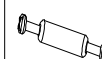
Gx6



Hx2



Ix8

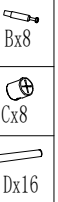
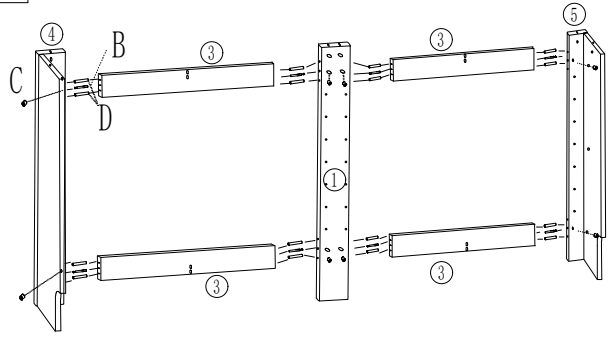
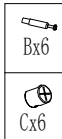
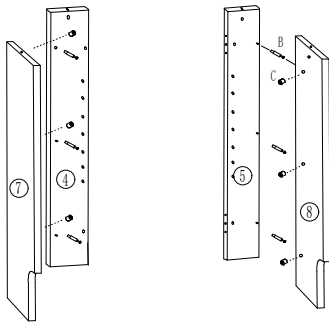


Jx1

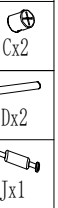
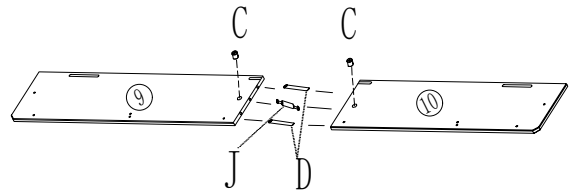
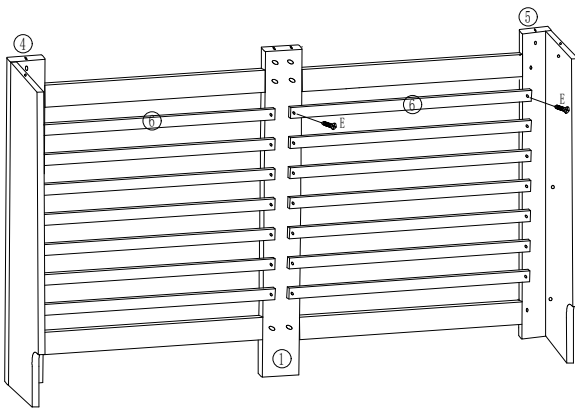


Using a screwdriver, screw in the #B screws securely. Please do not over tighten as it may cause wood to splinter.  
 The small arrow on the #C Cam Locking Screw should be facing the #B screws extending from the panel.  
 Use screwdriver to tighten securely, but avoid over tightening, screws may protrude through the panel.

1 2

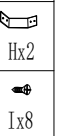
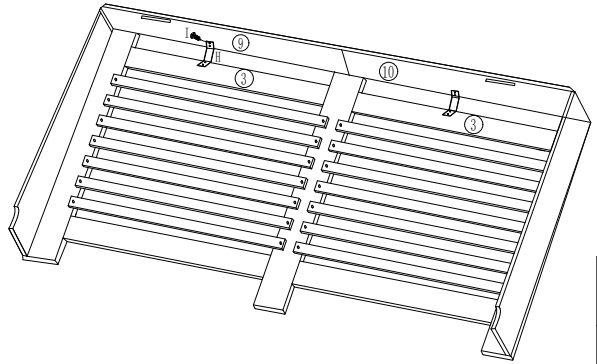
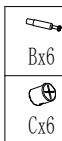
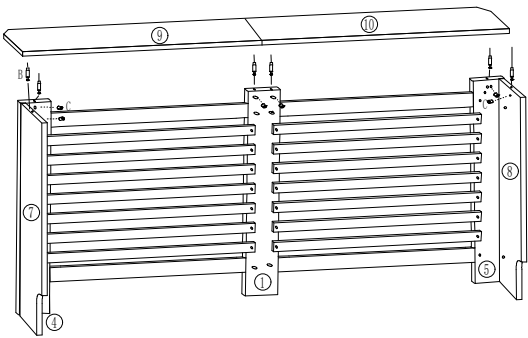


3 4



Keep the panels 9&10 on the same level when moving or the screws may protrude through the panels.

5 6



7 8

