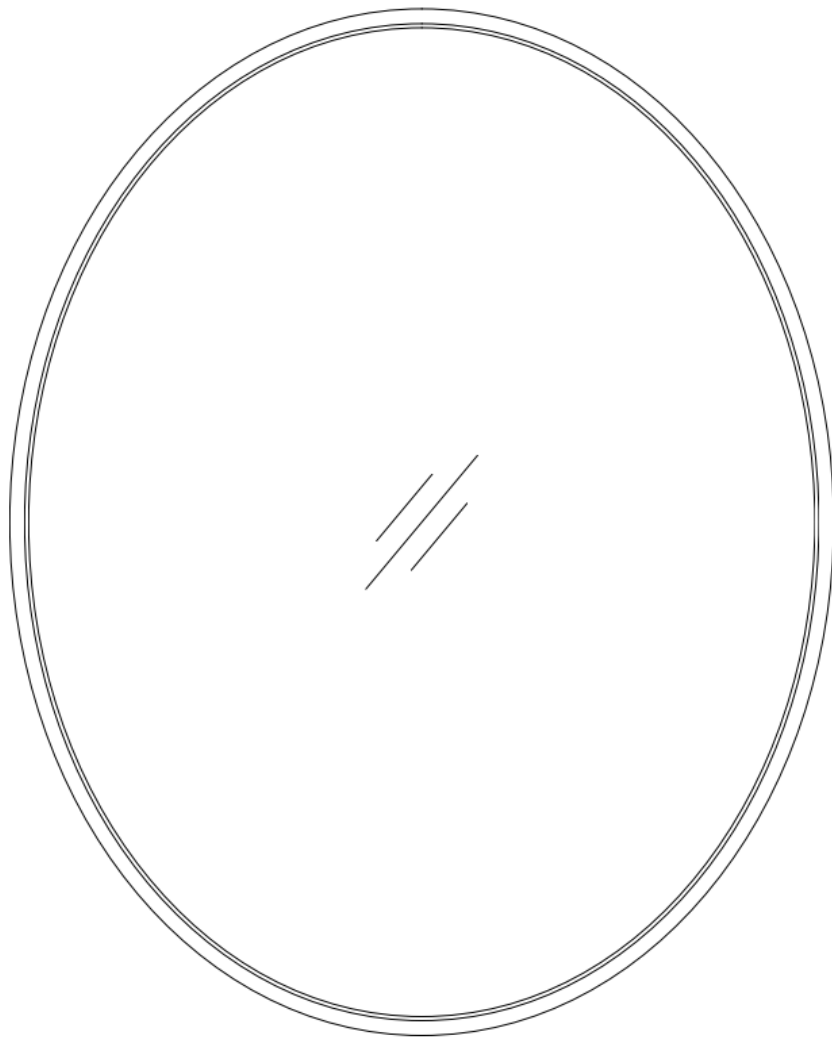


Assemble Instruction



SKU: FMO-2430B

SIZE: 24*30 inch

Frame mirror

Thank you for purchasing this product. If you have any questions, please contact our customer service department. We are always willing to help you.




Important Notices:

1. Please make sure all parts are included. When taking all parts out, please put them on a soft surface to prevent scratches.
2. As this product is made of aluminum, the edges and corners are sharp, please protect yourself from scratching during installation.
3. When working at height, please choose a safe platform to operate.
4. Please make sure there are no hidden cables or pipes before drilling.
5. Wear a pair of safety goggles when drilling.
6. Be careful when using power tools near water.

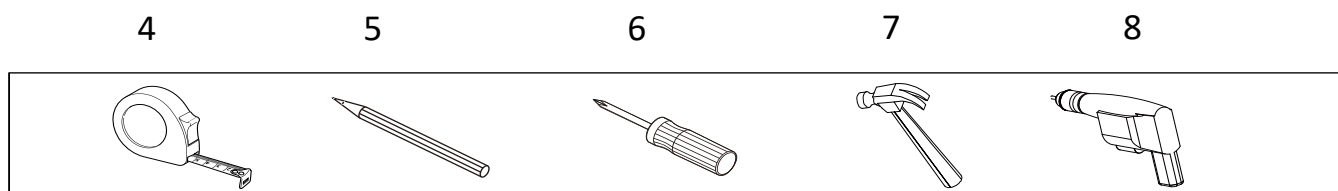
Wall Types:

1. Fixtures provided are usually used for solid walls.
2. If mount it on a tile, please use a ceramic drill and insert a wall plug under the tile.

Accessorize includes:

Typ	Draw	Number	Name
1		2PCS	Mental screws
2		2PCS	Rubber plug screws
3		1PC	Frame mirror

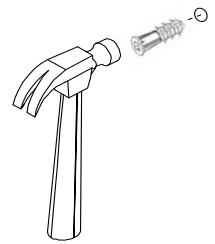
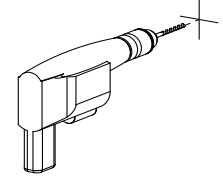
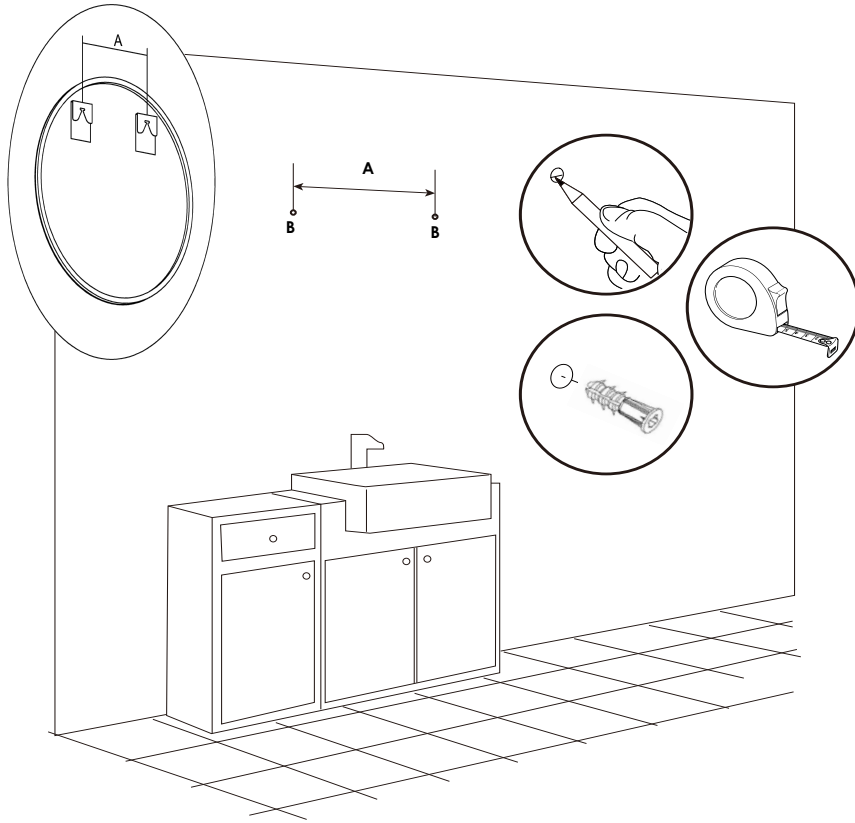
Tools needed:



Installation Steps:

1. Determine installation location

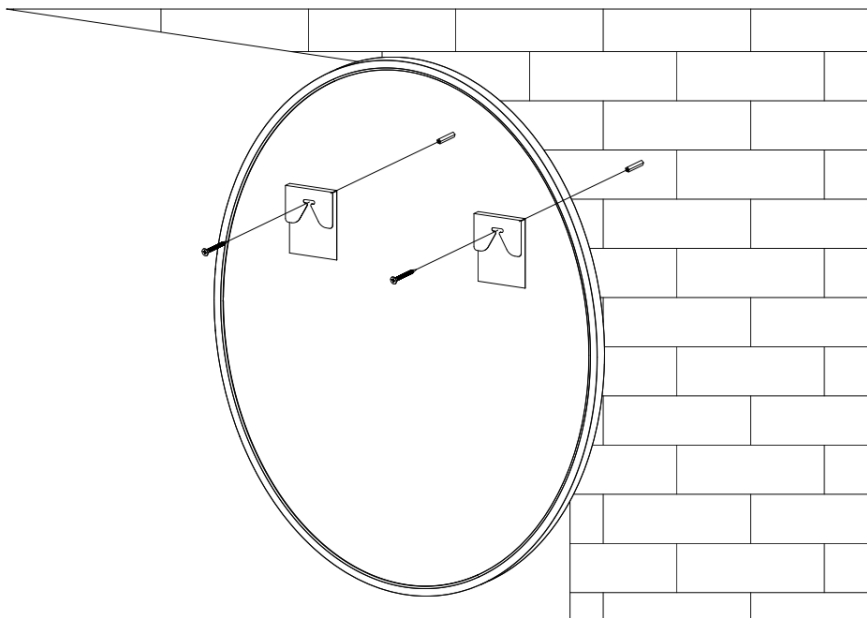
Please mark the hole location on the wall according to the hole spacing on the back of the frame mirror. Then, drilling the hole according to the mark location and install the glue plug screw into the holes. Please install at least 2 screws or more to make sure the frame mirror is stable.



2		2PCS
4		1PC
5		1PC
7		1PC
8		1PC

2. Install the cabinet

Align the back hole of the wall cabinet with the glue plug screw on the wall, then turn the metal screw into the glue plug screw.



1		2PCS
6		1PC