

ASSEMBLING INSTRUCTION

A X1PC



B X2PCS



C X2PC



D X12PCS



E X4PCS



F X4PCS



G X16PCS



H X4PCS



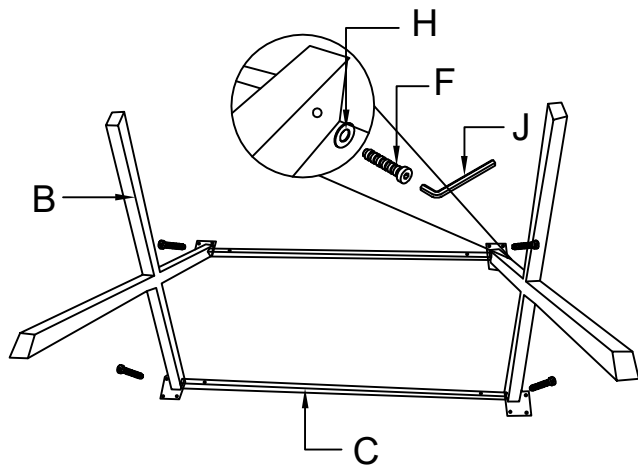
I X4PCS



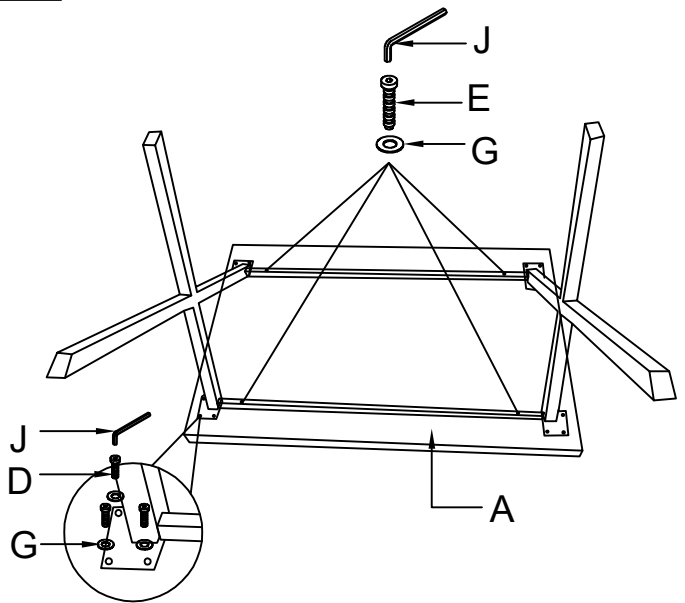
J X1PC



1



2



3

