

INSTRUCTION MANUAL

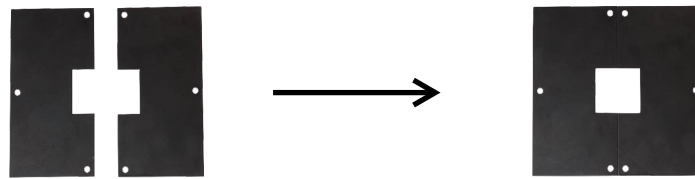
Thank you for shopping , we really appreciate your business. Our goal is to provide an excellent customer service before, during and after delivery. We've included a guide on how to install this light, should you require additional assistance please feel free to email us and one of our customer service reps will reach out to assist you.

Before you get started:

Turn off electrical power to the fixture at the electrical panel. Use the appropriate voltage tester to ensure no power is present at the fixture before you begin work. Do not rely on a wall switch to protect you from electrical shock. Installation requires an experienced electrician.

If you have ordered the version that comes with the app+ Alexa please setup the app after wiring, and prior to installing the lamp.

Important Note: this product doesn't cover a standard US junction box due to the slim design. We've included junction box cover that you can install to cover the box. The wall plate comes in two pieces, combined together they make a square shape cover. See image below:



Assembly Inventory:

Please check the assembly inventory. If you find anything missing reach out to our customer service team

A- 1 x LED Light assembled (see image 1.1)

Includes light bar, wires

B- 2 x Wall Base (black color)

(only needed if you're installing on a corner position)

C- 2x Silver Brackets

(used alone for flat surface or combined with item B on a corner position)

D- 4 x Regular Screws(silver or black color)

E- 4 x Plastic Drywall Anchor



Image 1.1

Tools needed (not included):

1 x Screw Driver

1 x Electric Drill

Instructions (Flat Surface Placement)

Step 1:

Use a pencil or a pen to mark the drilling position. The back of the light is empty, so you can position the silver brackets anywhere. We recommend adding one near the top and one near the bottom. During this process, it is very important to ensure you account for the wiring position on your wall or ceiling.

Step 2:

Using a drill, drill holes into the wall where you marked in step 1.

Step 3:

Insert drywall anchors into each hole. Don't damage or force the anchor in the hole. If the hole is small, try to make the hole(s) bigger.

Step 4:

Screw the silver brackets to the wall using a screw driver. Don't attach the lamp. This step to be completed after wiring.

Now that you have setup the position of the lamp, it is time to wire the lamp. Before wiring, use step 5 if you need a plate to cover the hole in your wall, also known as junction box. You may skip the below step if not needed.

Step 5: (Skip this step if you don't need a plate to cover the junction box opening)

If you have a hole that is wider than the lamp, we have included a junction box cover. Simply mark the drilling position using a pencil, and drill 6 holes that are marked on the junction box cover. Insert drywall anchors into each hole and screw the wall plate on the wall. The wall plate comes in two pieces, combined together they make a square shape cover. It's important to ensure the wall wires are still accessible, insert them through the center of the junction box cover.

Step 6: (skip this step if you ordered the plug-in version)

Black Wire: Live, **White wire:** Neutral, **Yellow wire:** Ground

Connect the lamp wires to the wall wires, and tuck inside the lamp or inside the wall.

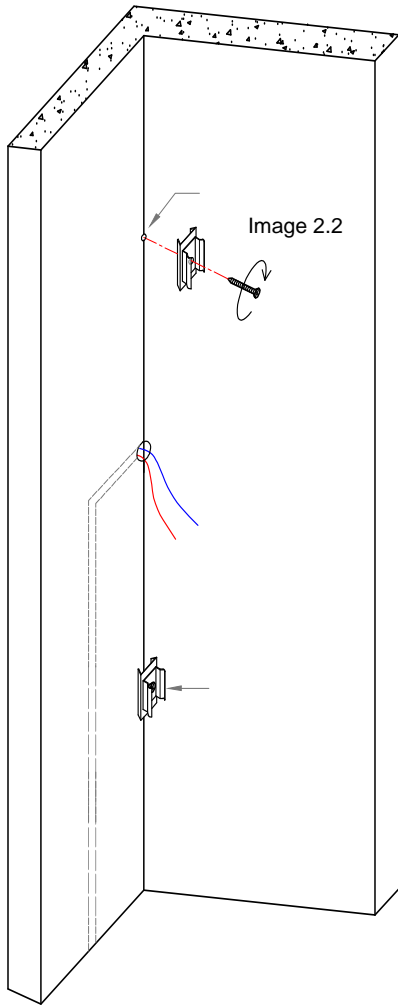
Step 7:

Attach the wall lamp to the silver brackets by squeezing the bracket into the back of the lamp.

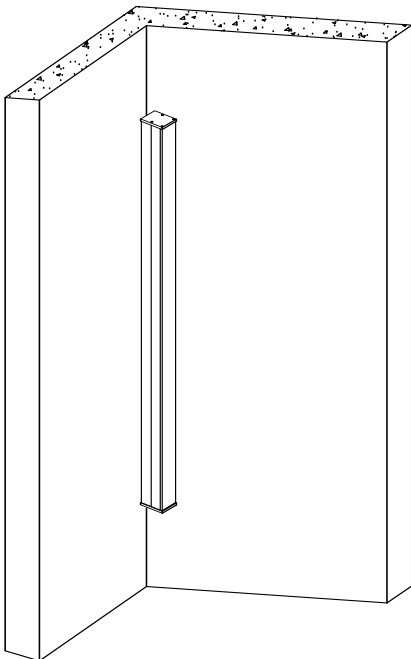
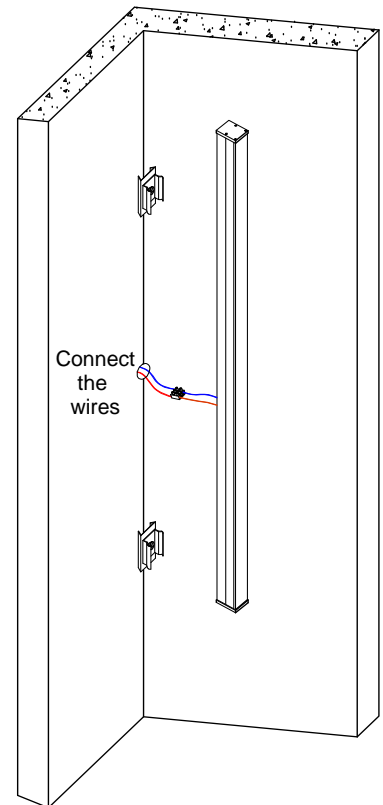
Now you may turn your electrical power back on and test the lamp.

The instructions above are for a flat surface. If the light is being installed in a corner position, follow the additional steps provided in the next page.

Instructions (Corner Position Placement)



Similar to the previous instructions, instead of screwing the silver brackets directly into the wall, we've included a small black bracket (item B). Screw the black bracket first, then the silver bracket on top of it as shown in image 2.2



Remote Control Instructions

Please note the remote control comes with the dimmable version only

1- Please Install two AAA batteries. Once you have installed the batteries, point the remote at the light fixture and press the "On" button the light will come on. The remote should connect automatically once the batteries are installed (If the remote does not connect see step 2)

2- To connect the remote to the lamp, it must be done within the first 5 seconds after you power the fixture on, press the "Connect" button until the fixture flashes.

3- Once the light is on, use the "+" and "-" buttons on the remote to adjust the brightness. Pressing "+" will increase the brightness, while "-" will decrease it.

4- Once the light is on, use the "k+" and "k-" buttons on the remote to adjust the color temperature. Pressing "k+" will increase the temperature while "k-" will decrease it. Increasing the temperature will make the emitting color warm and decreasing the temperature will make the emitting color cold.

Helpful information:

The bottom 5 buttons represent the following:

- 1- Adjust brightness
- 2- Dims the light
- 3- Warm white (4000K) option
- 4- Warm (3000K) option
- 5- Cold White (6000K) option

