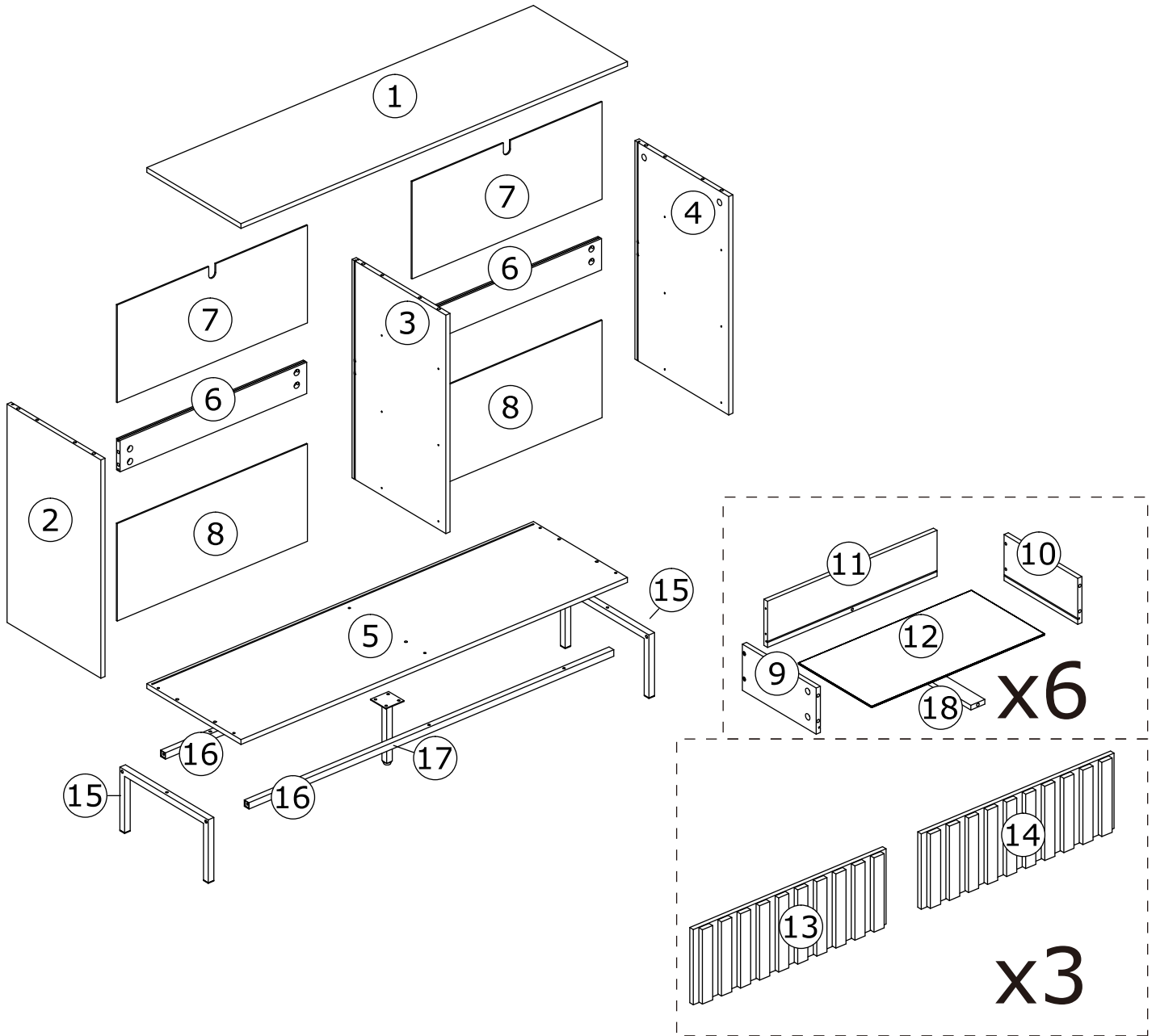


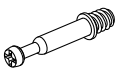

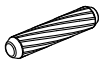
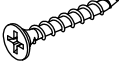


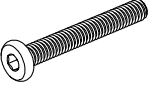

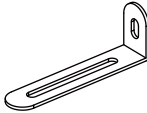
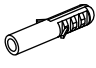

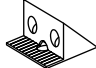
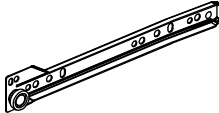
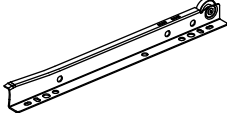

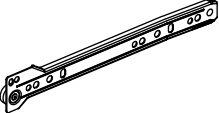
HKBFDC056

**INSTALLATION INSTRUCTIONS**

# PARTS LIST

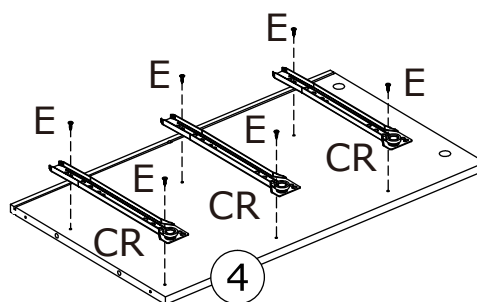
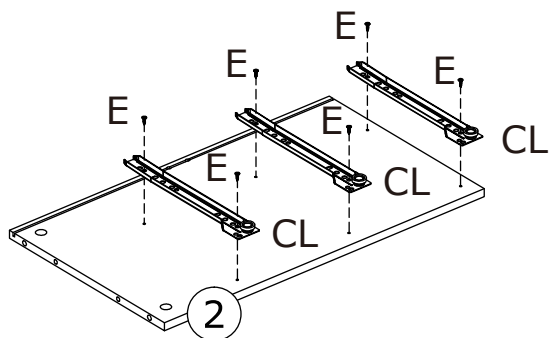
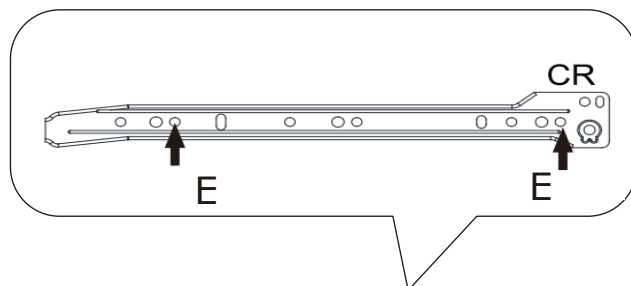
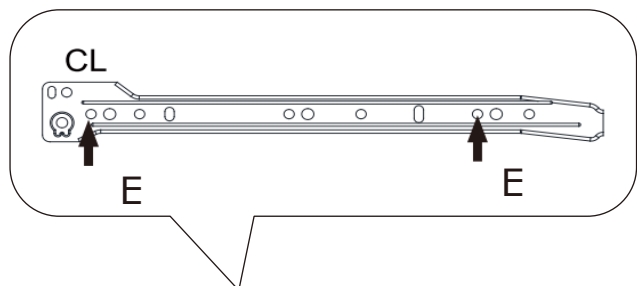
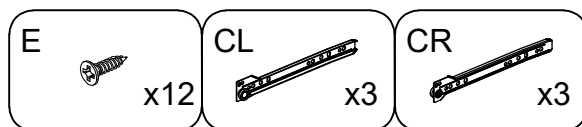


# HARDWEAR LIST

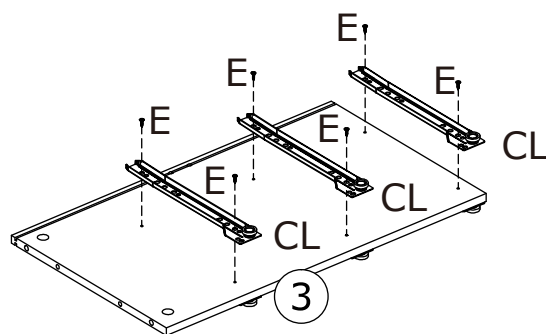
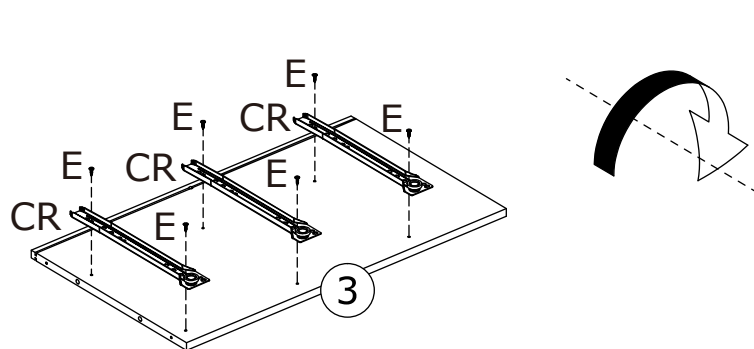
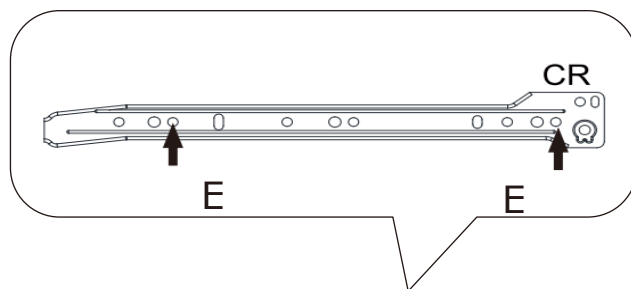
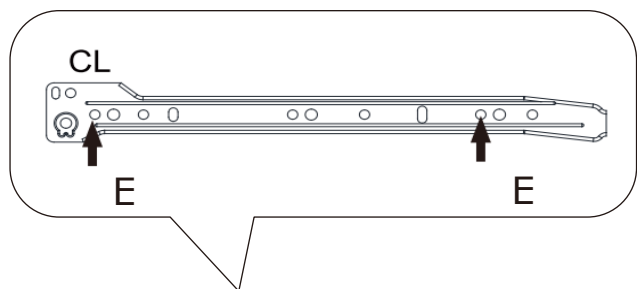
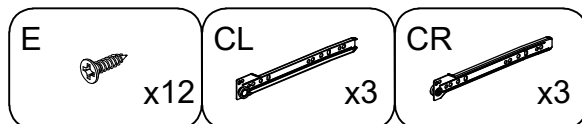
											
A	44pcs	B	44pcs	C	12pcs	D	46pcs	E	48pcs	F	1pc
											
G	4pcs	H	6pcs	J	2pcs	K	2pcs	L	16pcs		
											
CL	6pcs	DL	6pcs	DR	6pcs	CR	6pcs				

# INSTALLATIONS

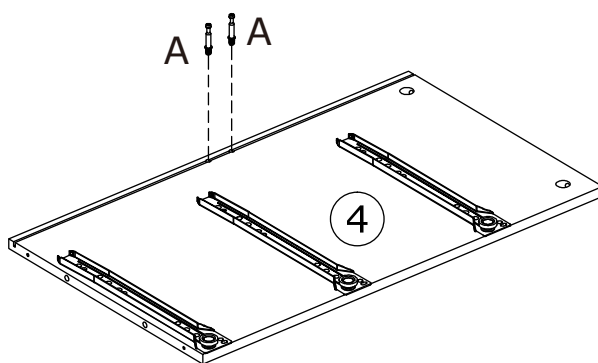
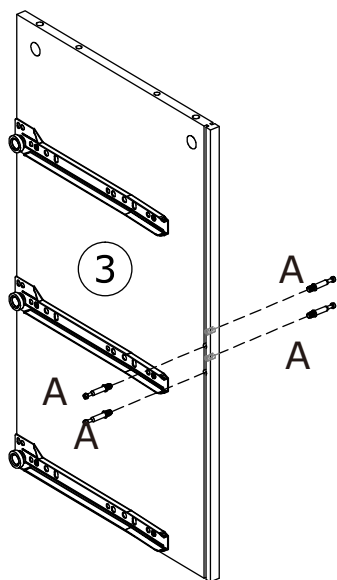
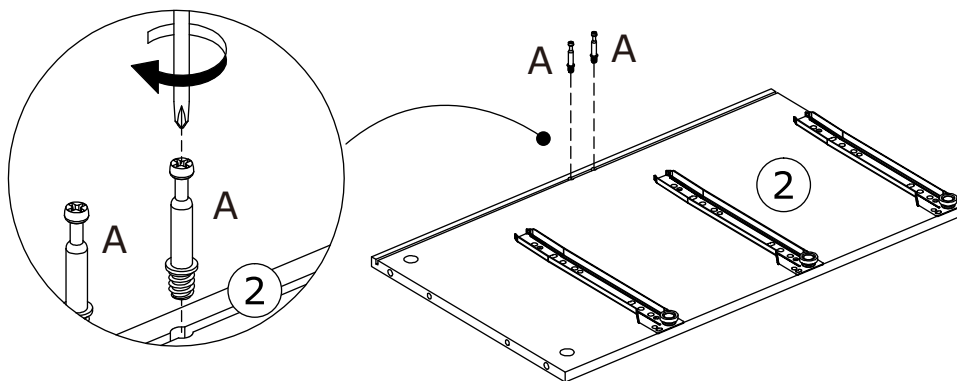
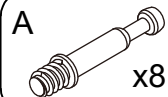
## STEP 1



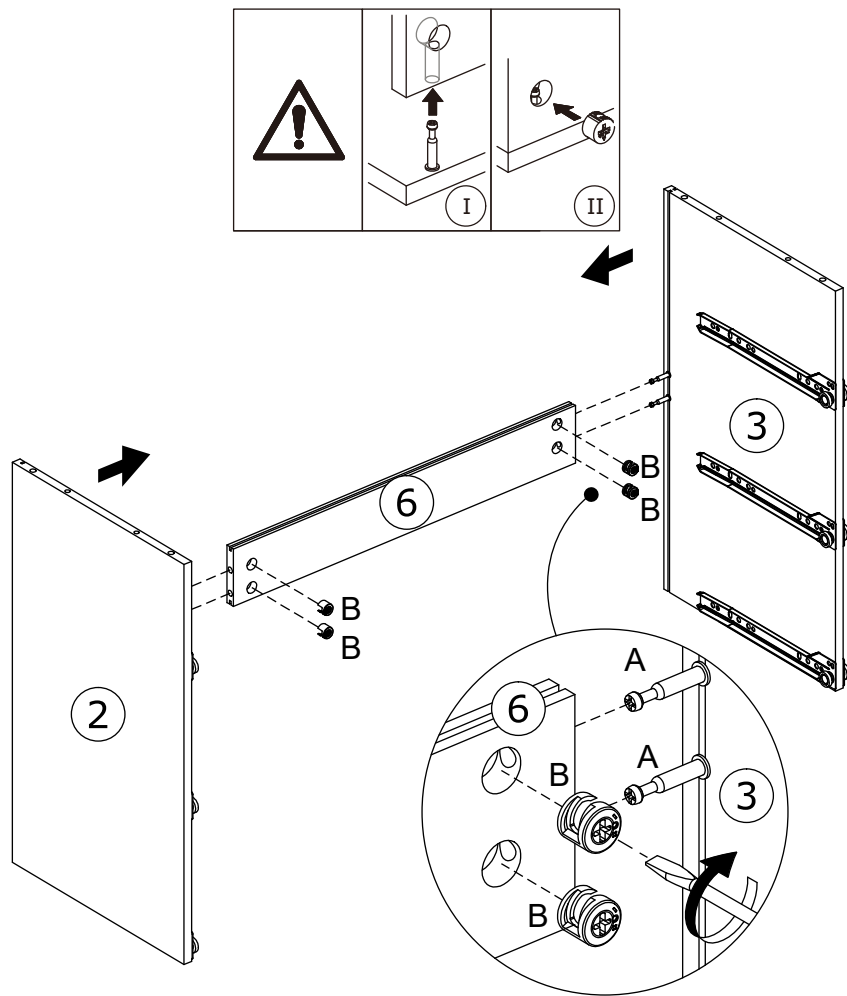
## STEP 2



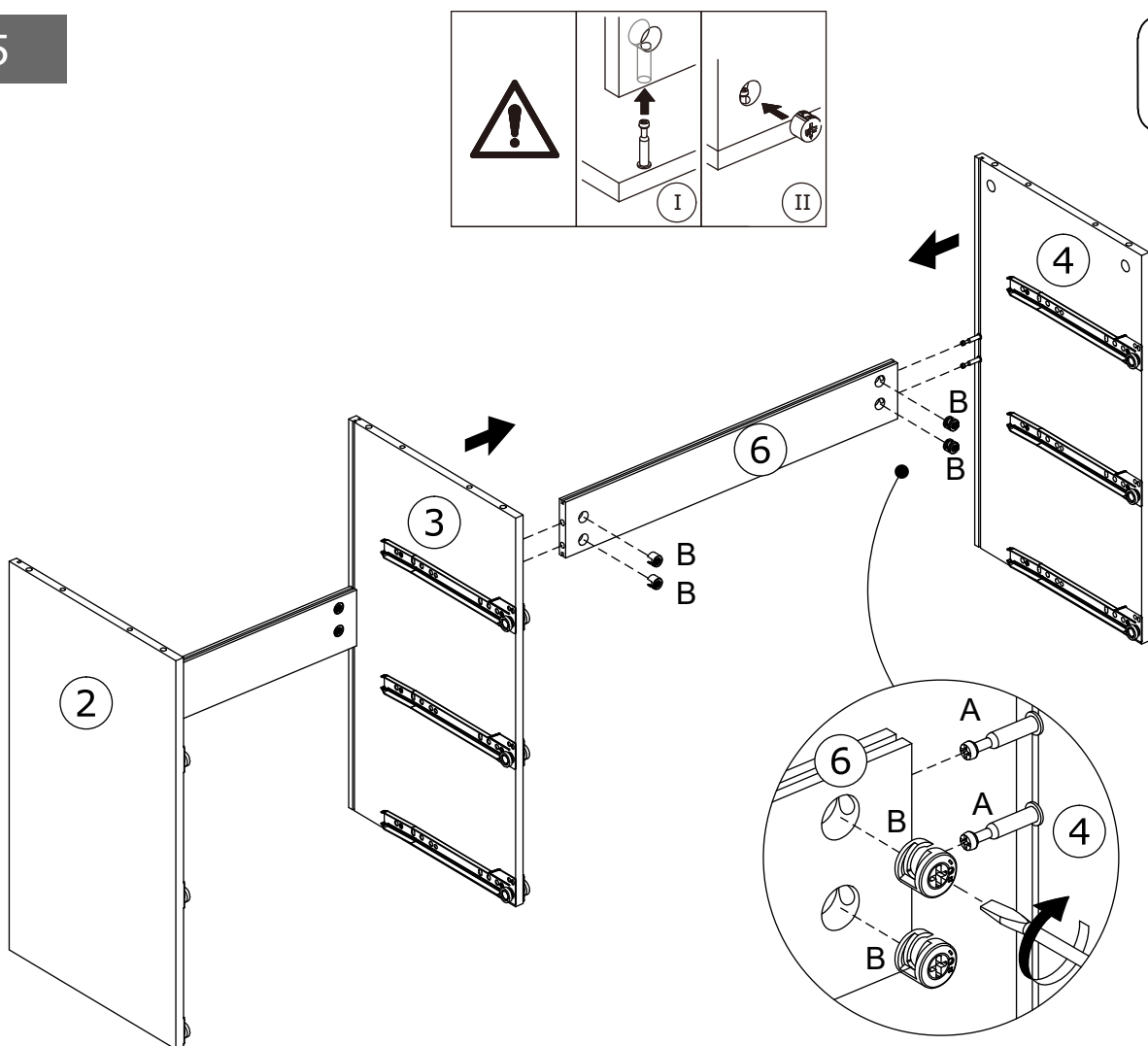
# STEP 3



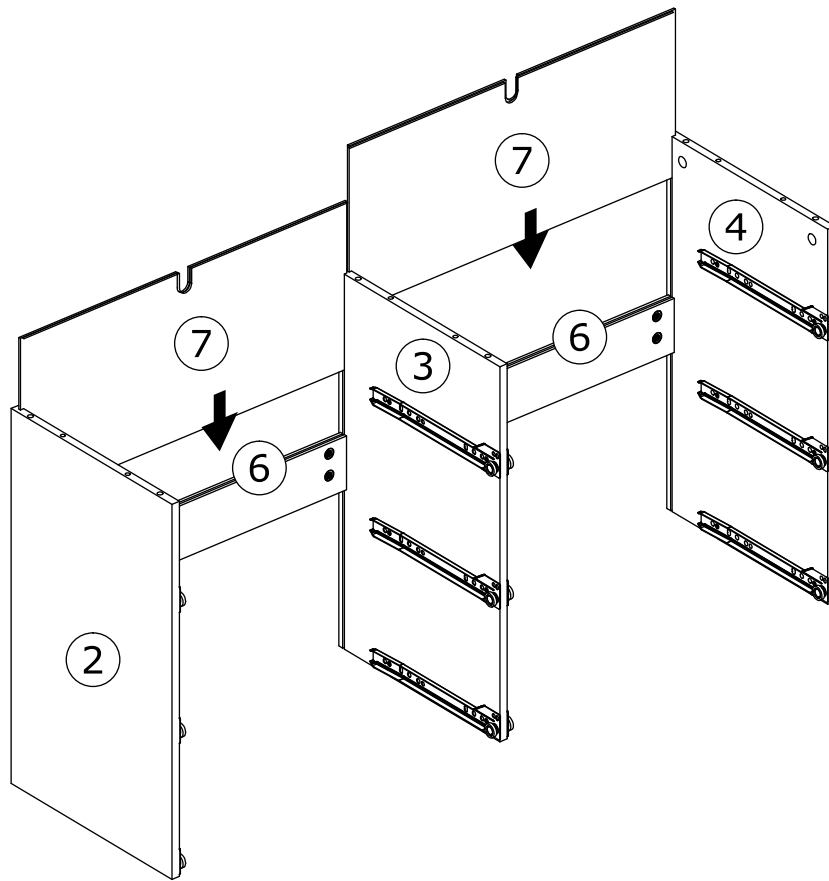
# STEP 4



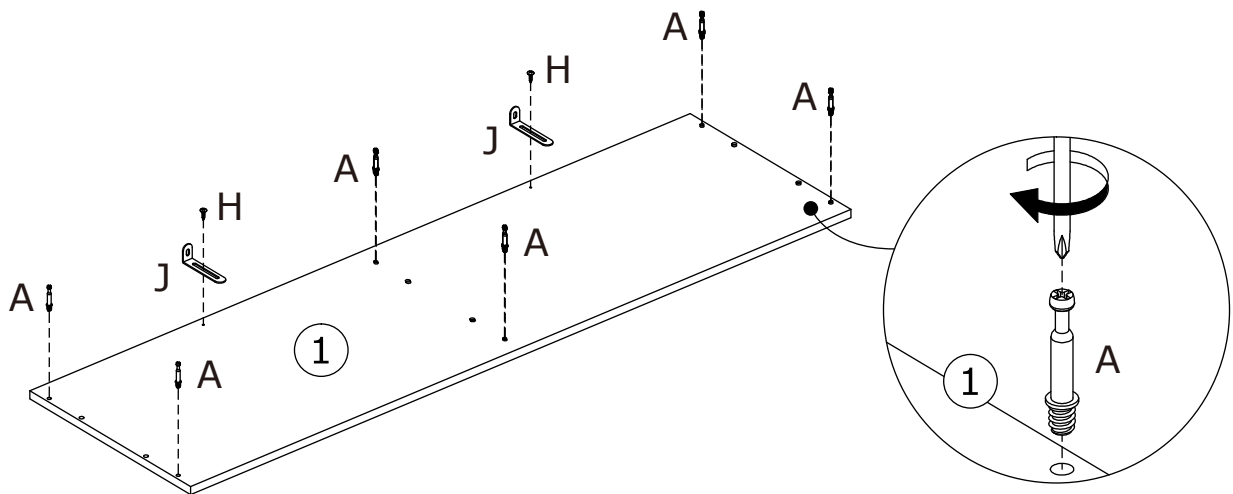
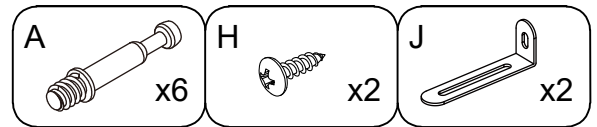
# STEP 5



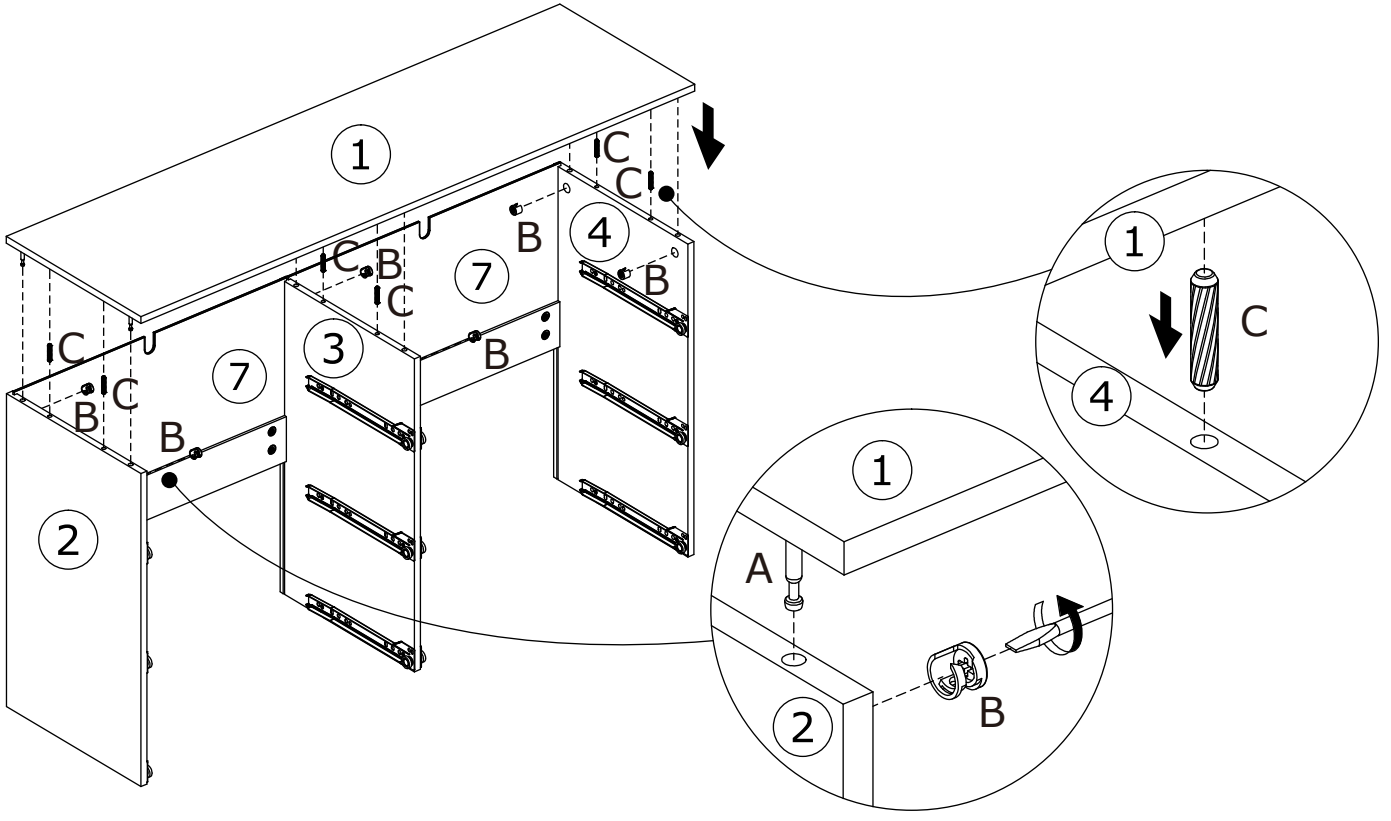
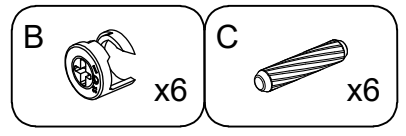
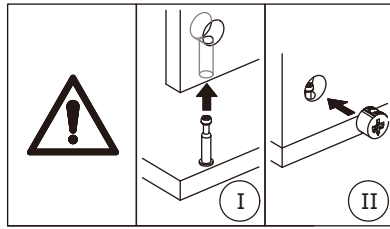
# STEP 6



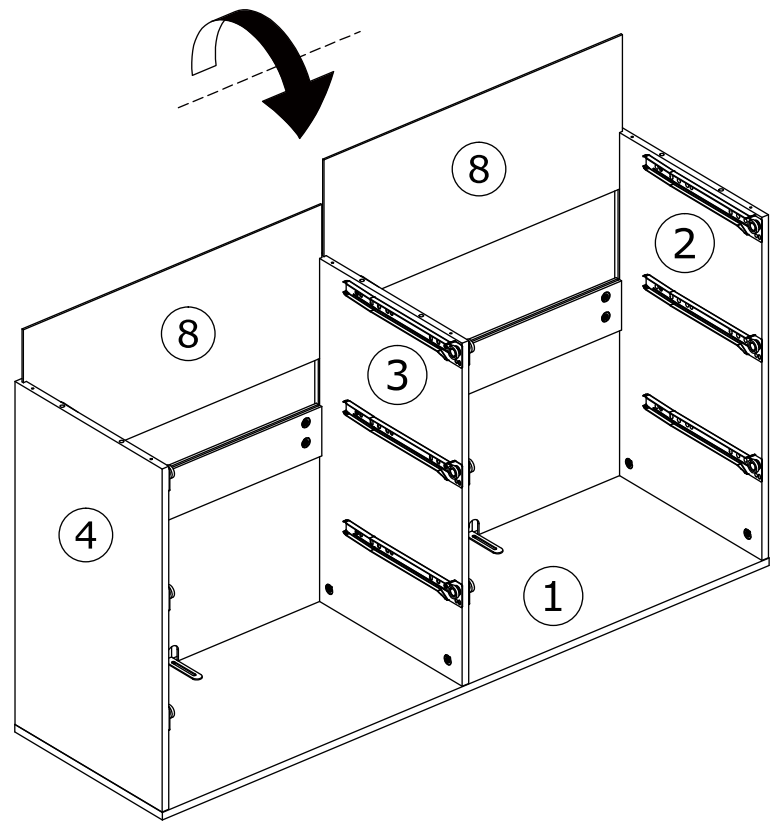
# STEP 7



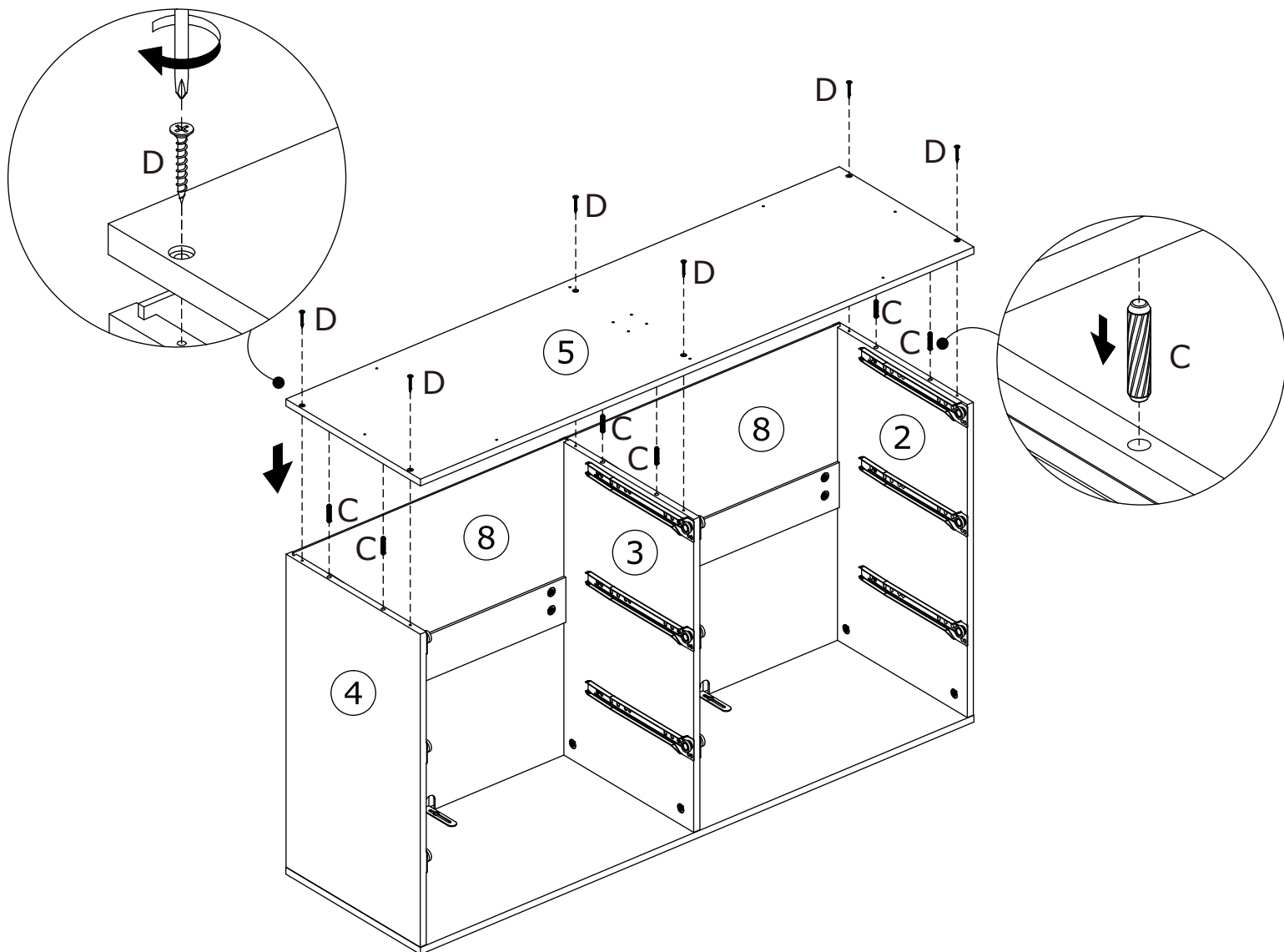
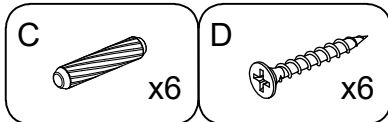
# STEP 8



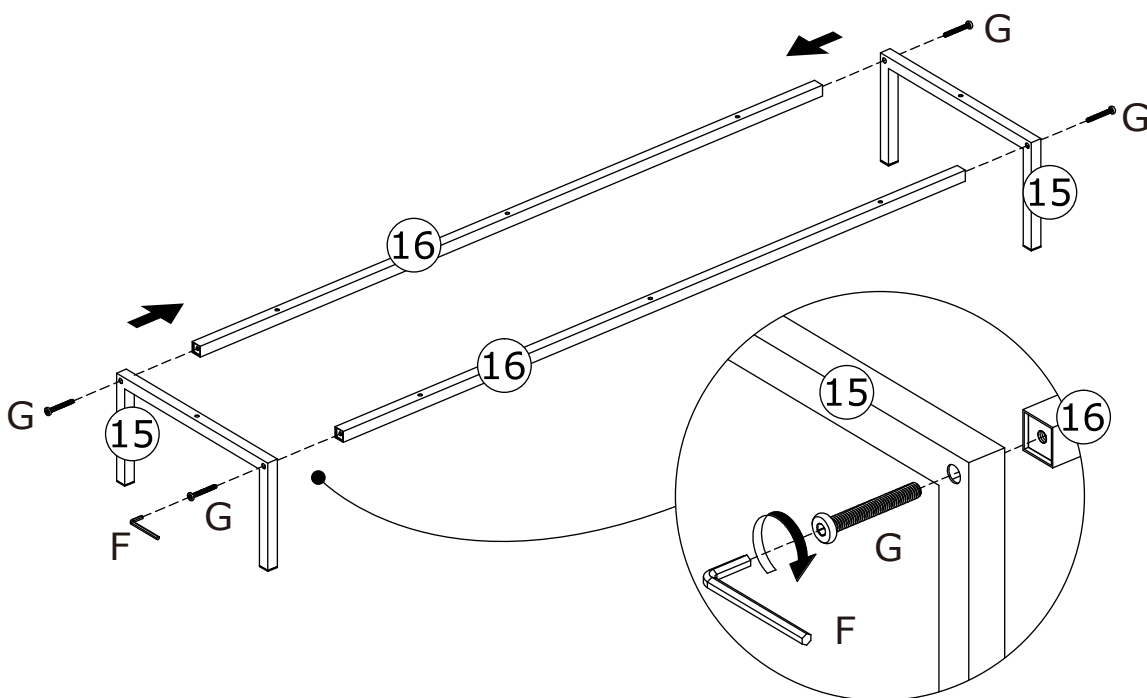
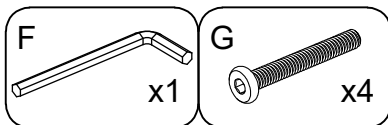
# STEP 9



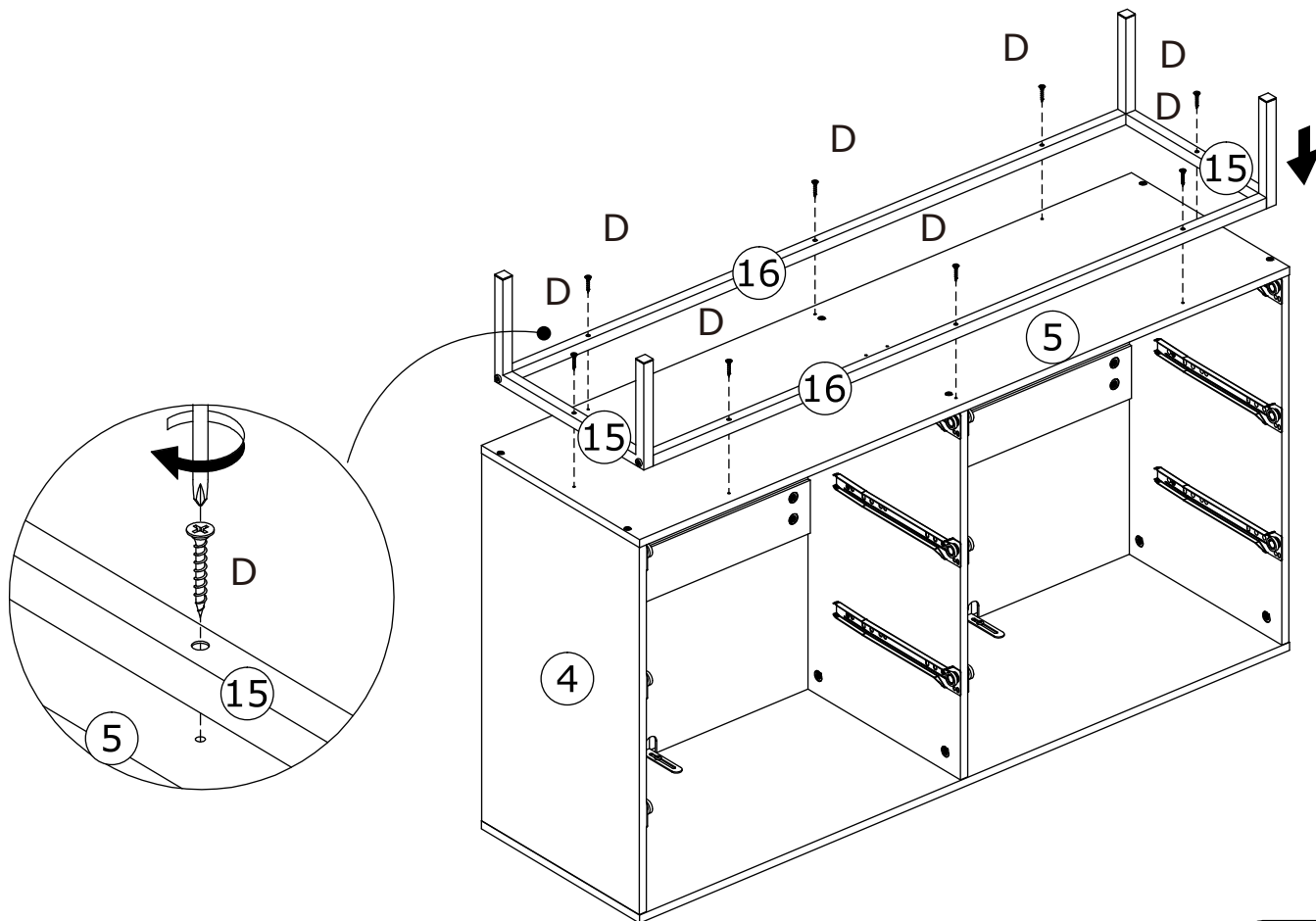
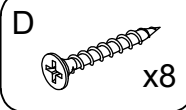
# STEP 10



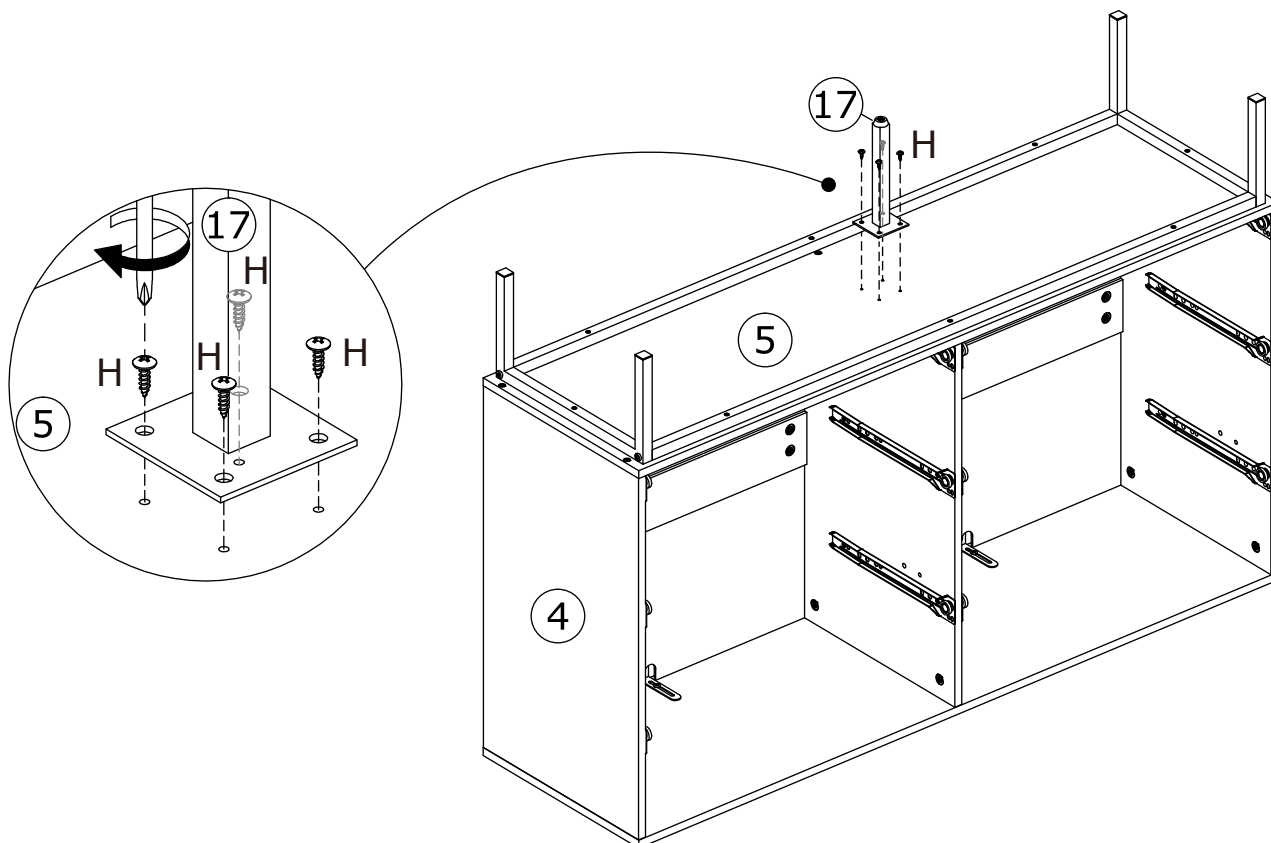
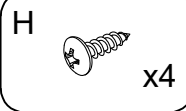
# STEP 11



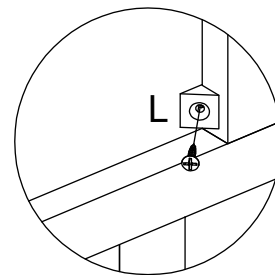
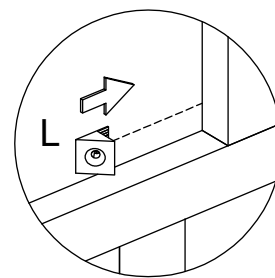
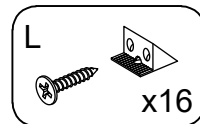
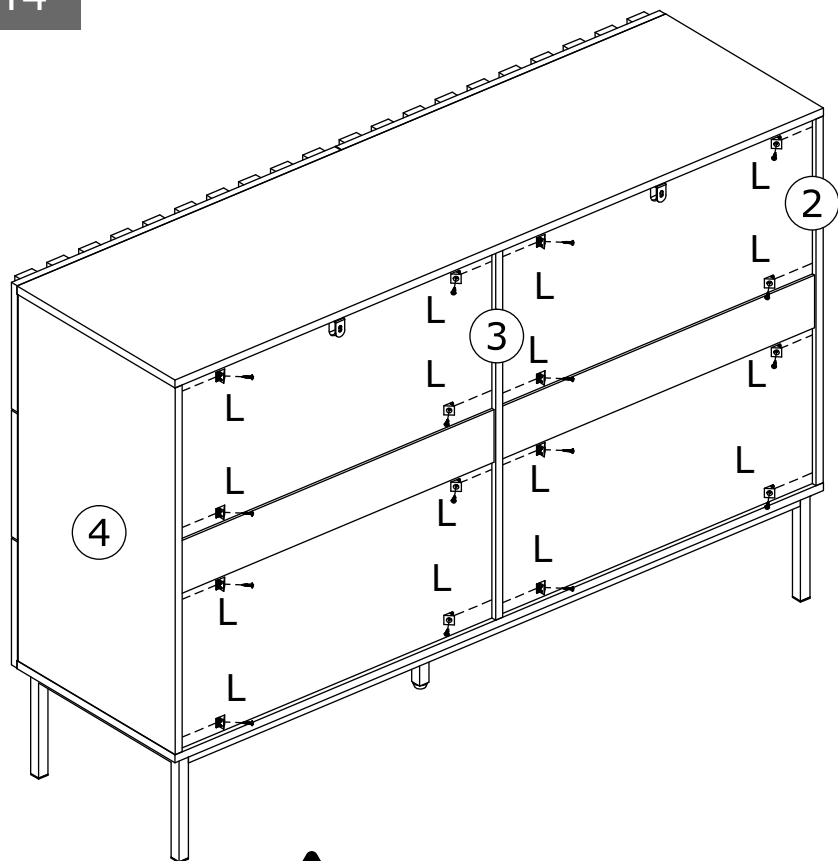
# STEP 12



# STEP 13



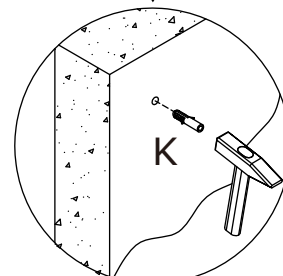
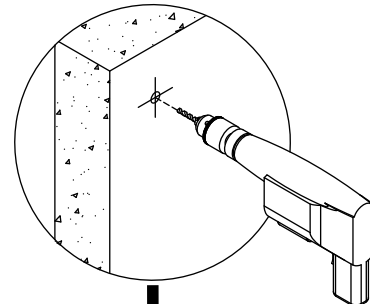
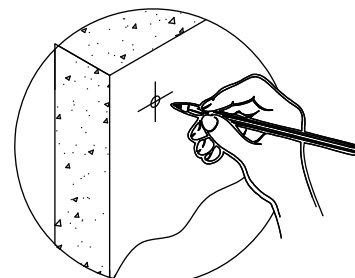
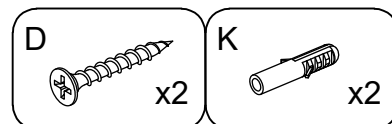
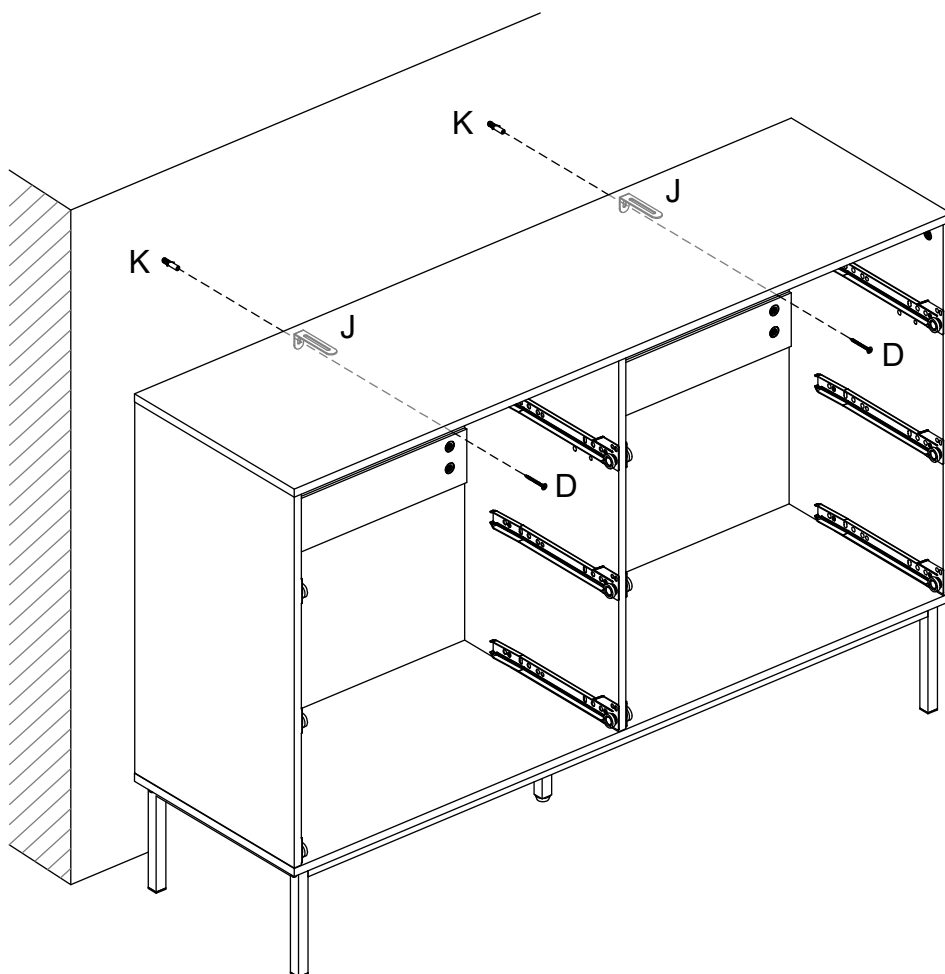
# STEP 14



# STEP 15

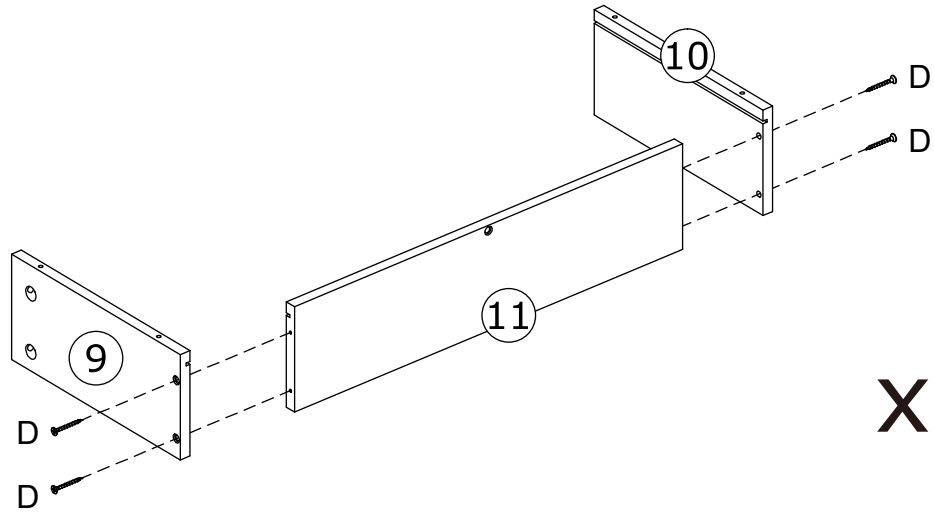
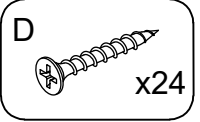


Prevent tipping



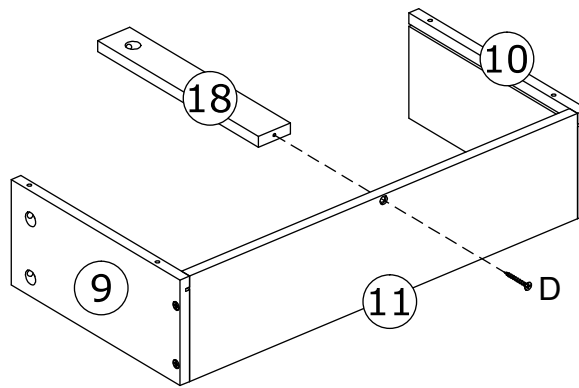
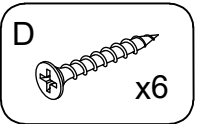
**CAUTION:** Always Lift Your Furniture When Moving /Relocating - Do Not Drag. Dragging Can Cause The Legs To Bend/Break.

STEP 16



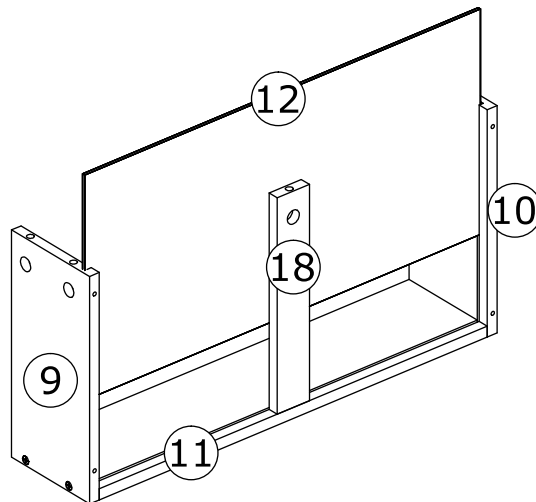
x6

STEP 17



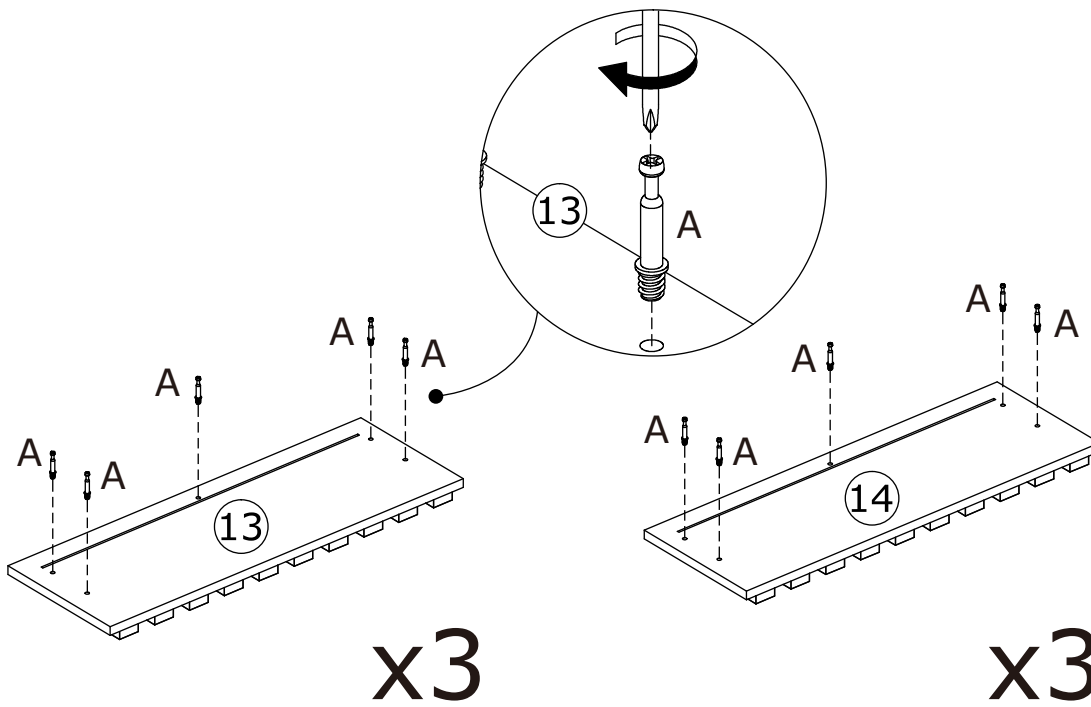
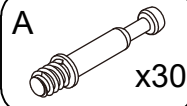
x6

STEP 18

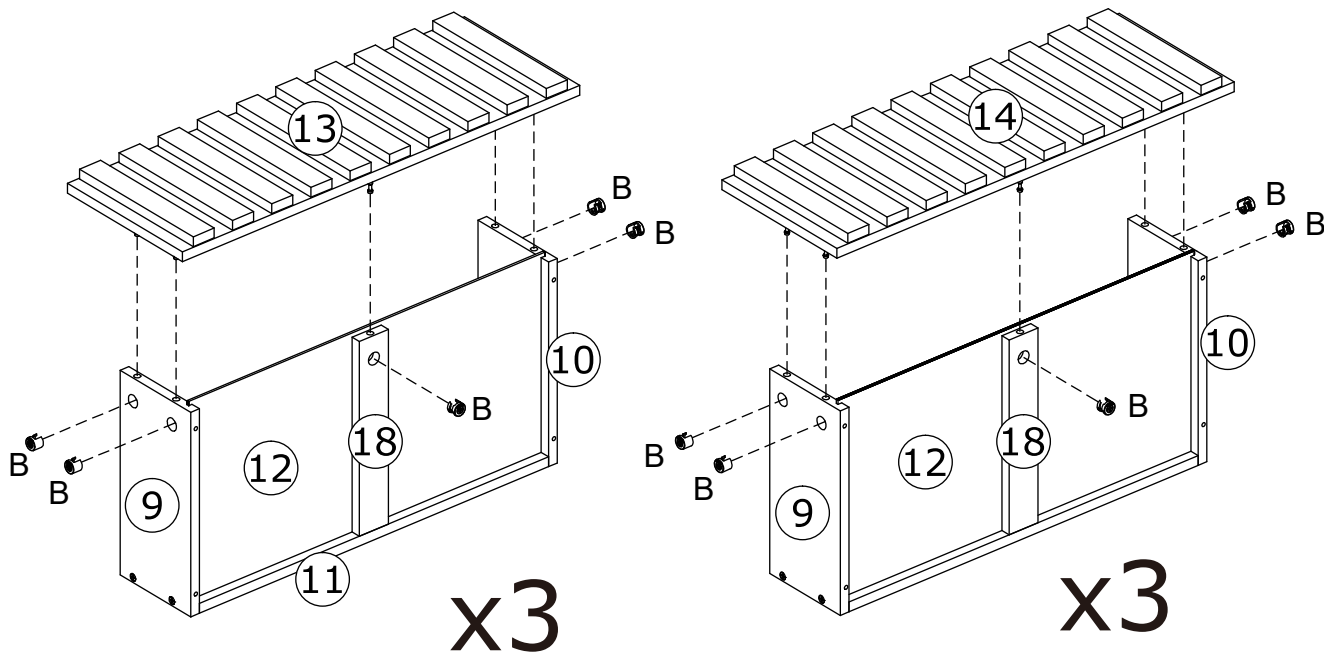
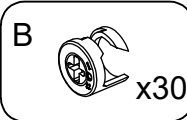
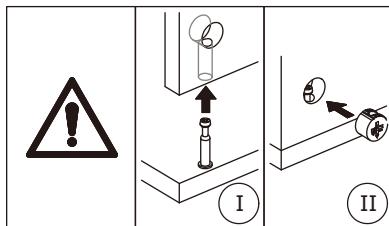


x6

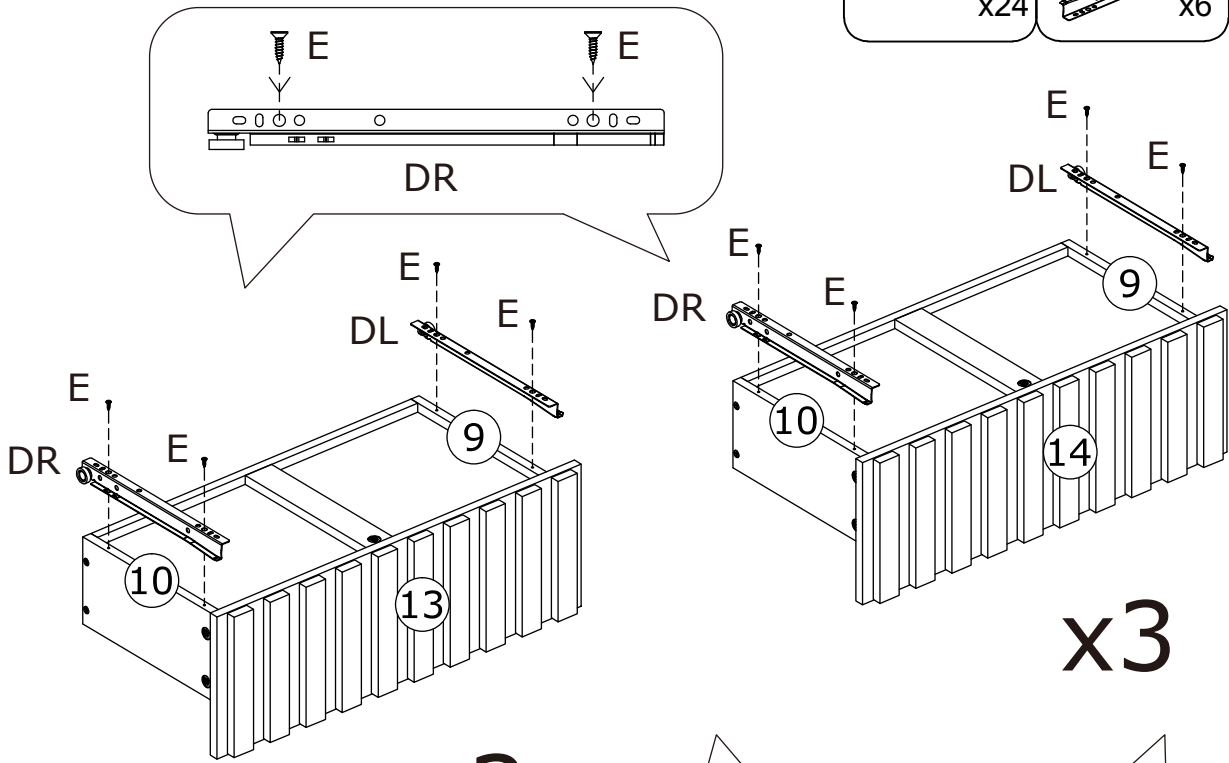
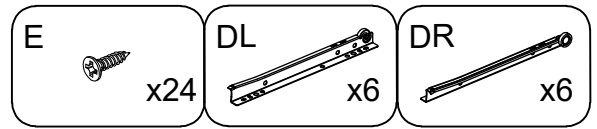
# STEP 19



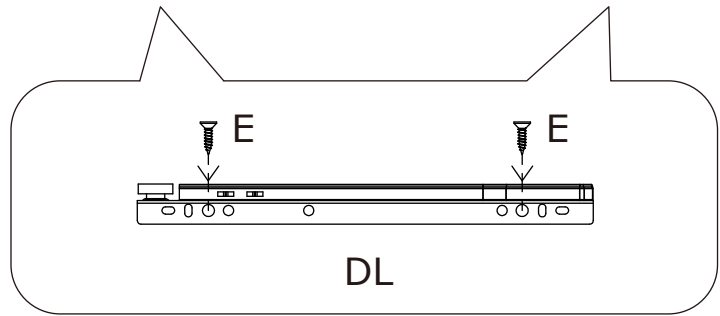
# STEP 20



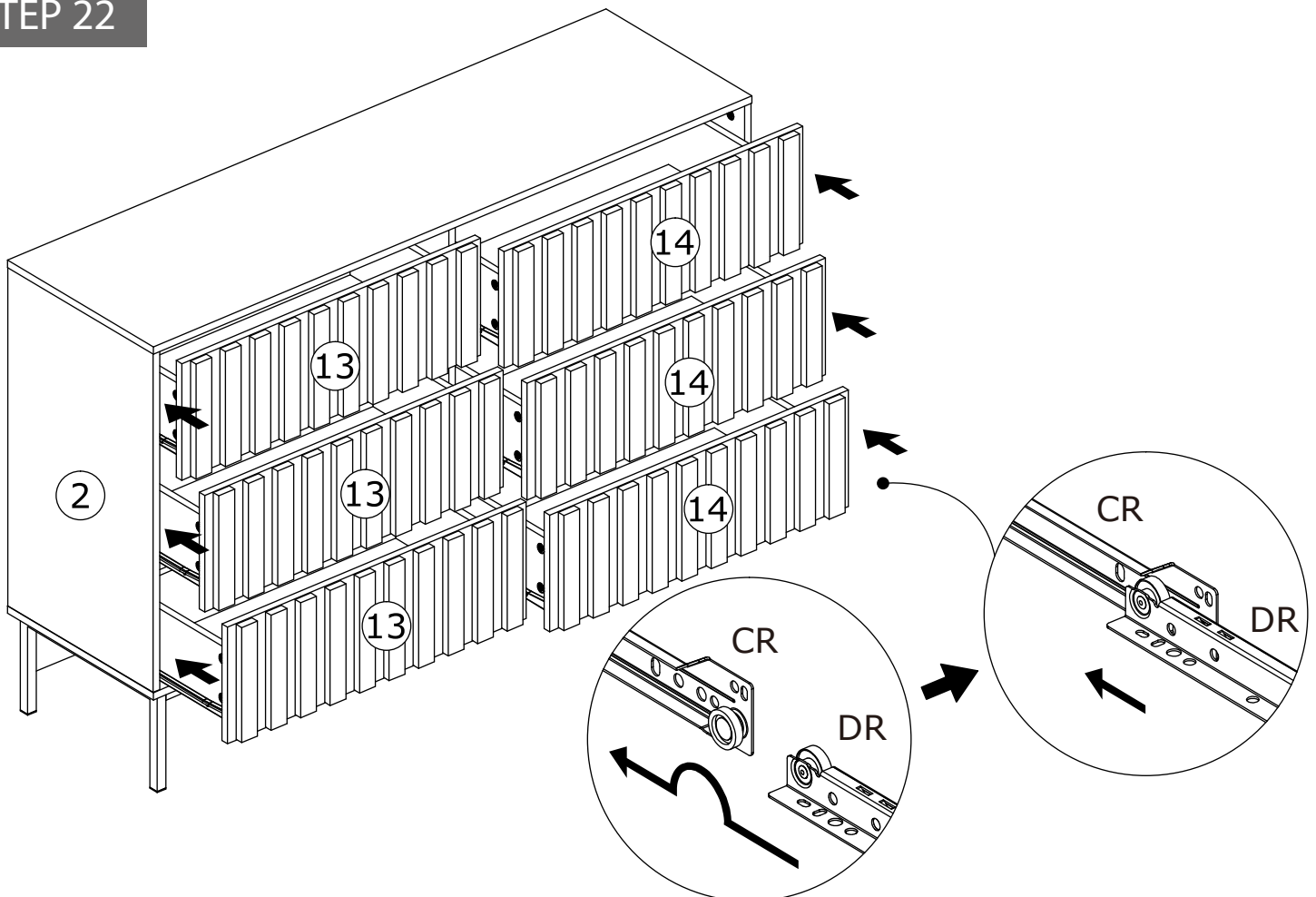
# STEP 21



x3



# STEP 22



Thank you very much for purchasing from us.

We have always been trying to provide the best service and reliable products for every customer.

However, accident may happen sometimes, please contact us to resolve any issue before leaving a negative feedback.

Many thanks and welcome to our shop again!

**Contact number: 323-393-8260**

**E-mail: [UEVsupport@163.com](mailto:UEVsupport@163.com)**

**[www.amazon.com/uev](http://www.amazon.com/uev)**