



### Having Trouble?

Chat with us on your phone

Simply point your phone camera towards  
the QR code or see our website



[xbrand.us](http://xbrand.us)

or email at

[customerservice@ecintel.com](mailto:customerservice@ecintel.com)

**Monday - Friday 7:00AM - 3:30PM PST**

### Mist Fan



### Have Questions or Issues? Need help with assembly?

Contact us and we will resolve immediately.

Simply point your phone camera towards the QR code or see our website

**Support Hours M-F 7:00AM - 3:30PM (U.S Pacific Time)**



Chat with us:  
[xbrand.us](http://xbrand.us)



Email:  
[customerservice@ecintel.com](mailto:customerservice@ecintel.com)



Call:  
951-319-4433

### Purchased your product online?

We would really appreciate it if you can share your experience  
with others by reviewing our product on the website from  
which you purchased.



## Limited 1-Year Manufacturer Warranty on [xbrand.us](http://xbrand.us)

### Manufacturer warranty covers:

- Parts that are deemed defective within 30 days will be shipped free of charge.
- Any warranty claim after 30 days, will require shipping to be paid by the customer.

Any visible damage due to the neglect, misuse, or abuse will void the limited warranty of the product.

For further information, please contact us:

Chat with us: [xbrand.us](http://xbrand.us)



Simply point your phone camera towards the QR code or see our website

Email: [customerservice@ecintel.com](mailto:customerservice@ecintel.com)

**Purchased your product online?**

**We would really appreciate it if you can share your experience with others by reviewing our product on the website from which you purchased.**



Please use your smart phone camera to scan the QR code.  
Simply point your camera and let the camera scan the  
code below, and click on the link that opens up.



<https://xbrand.us/product/ce134/>

**Contents** ..... 2

**What is included** ..... 3

**Assembly instructions** ..... 4

**YouTube video instruction** ..... 5

**Warranty** ..... 6

## What is included



Part No. 11



Part No. 3



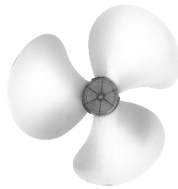
Part No. 20



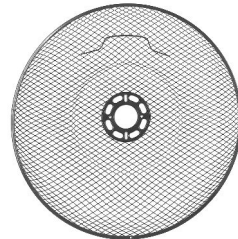
Part No. 4



Part No. 2



Part No. 5



Part No. 7



Part No. 17



Part No. 24



Part No. 19



Part No. 6



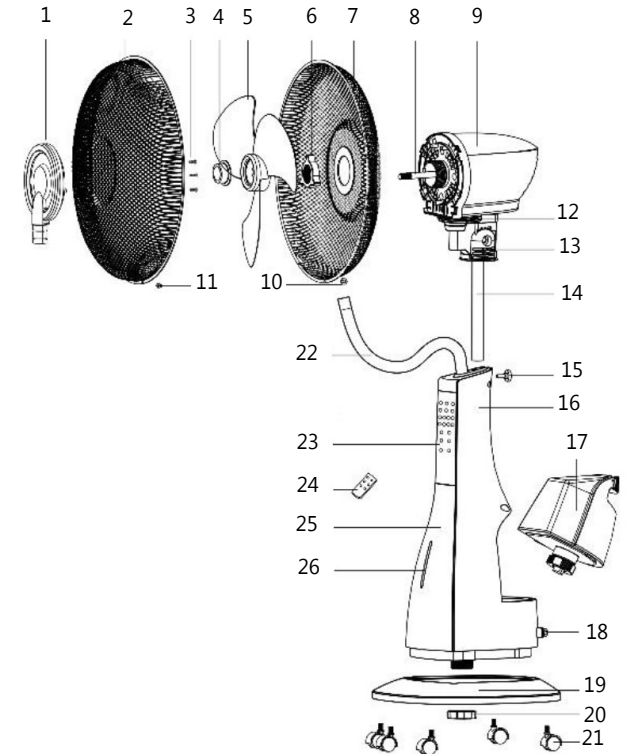
Part No. 21



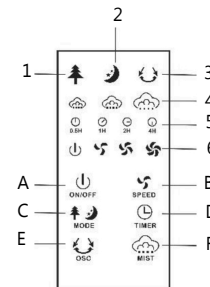
Part No. 16

## Assembly instructions

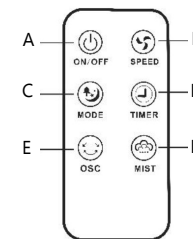
1. Misting Board
2. Front Grill
3. Misting Board Lock Screws
4. Blade Lock Nut
5. Blades
6. Grill Lock Nut
7. Back Grill
8. Motor Shaft
9. Motor Cover
10. Grill Lock Nut
11. Grill Lock Screw
12. Motor Holder
13. Connection Holder
14. Main Holder
15. Holder Fixed Screw
16. Main Body
17. Water Tank
18. Water Outlet Lock nut
19. Base
20. Base Lock Nut
21. Wheels
22. Misting Tube
23. Control Panel
24. Remote Control
25. Decorate Panel
26. Water Indicator



### Control panel



### Remote control



### Indicator light:

1. Natural mode indicator
2. Sleeping mode indicator
3. Oscillation
4. Mist volume indicator: minimum-medium-maximum
5. Timer
6. Speed: low-medium-high
7. Power on indicator

### Buttons:

- A. On/Off
- B. Speed
- C. Mode
- D. Timer
- E. Oscillation
- F. Mist

Note: Click the ON/OFF button TWICE to turn fan on