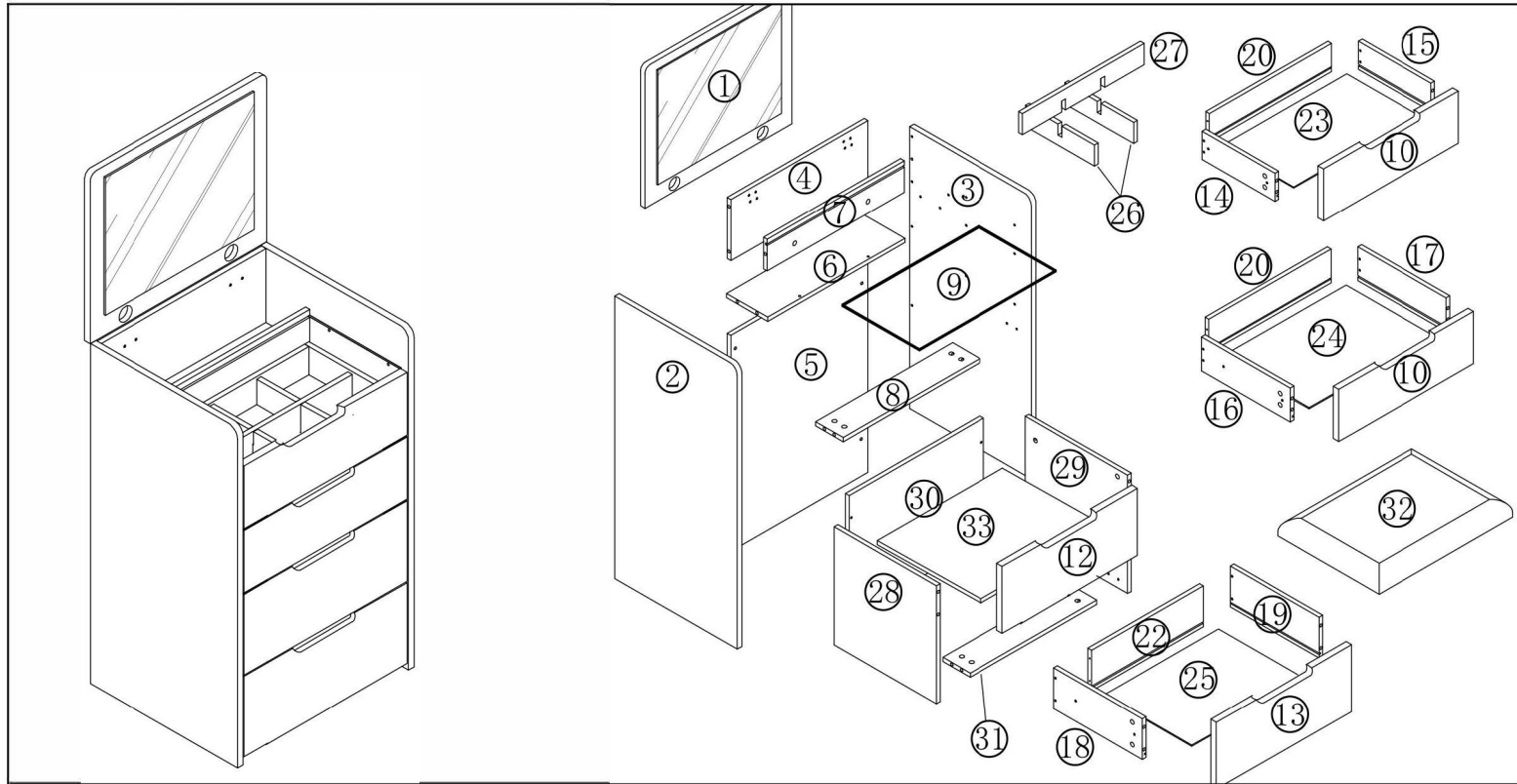


# Dresser Instructions



- 1.Panel 1pc      2.Left side panel 1pc      3.Right side panel 1pc      4.Upper back panel 1pc      5.Lower back panel 1pc      6.Laminate 1pc
- 7.Clashboard 1pc      8.Pull strips 1pc      9.Layer glass 1pc      10.Upper drawn 2pc (narrower)      11.No numbering      12.Fake noodles 1pc (width)
- 13.Lower drawer 1pc (wider)      14.Small left drawer side 1pc      15.Small Right Drawer Side 1pc      16.Middle Left Drawer 1pc      17.Middle Right Drawer 1pc      18.Large left drawer 1pc
- 19.Big right draw side 1pc      20.Upper Draw Tail 2pc (longer)      21.No numbering      22.Bottom Draw Tail 1pc (shorter)      23.Upper bottom draw 1pc      24.Middle Draw Bottom 1pc
- 25.Lower Drawer Bottom 1pc (shorter)      26.Plaid vertical board 2pc      27.Lattice horizontal 1pc      28.Makeup board left side 1pc      29.Make-up board right side 1pc      30.Make-up board back 1pc
- 31.Make-up Stool Pull Strip 1pc      32.Make-up Stool Seat Cushion 1pc      33.Laminate 1pc

	A	B	C	D	E	F	H	I	J
<b>Name</b>	3-in-1	2-in-1	Door hinges	Silent tracks	Layer pallets	Self-tapping screws		Small corner code	Foot pegs
<b>Graphics</b>									
<b>Specification</b>	φ12/L=40		Straight bends	10"	φ8*18	φ3.5*12	φ4*30		
<b>Quantity</b>	31 sets	17 pcs	2 pcs	3 groups	4 pcs	50 pcs	13 pcs	2 pcs	10 pcs

### 3-in-1 instructions for use

- The hole of the side plate is φ5 in diameter, screw the screw directly into this hole.
- Insert the other end of the screw into the side hole of the other connecting plate, and press the eccentric locking cake into the φ12 diameter hole, and note that the cross arrow corresponds to the side hole.
- Use a Phillips screwdriver to tighten the eccentric locking cake clockwise.

### 2-in-1 instructions for use

Cross hole nut

Self-tapping screws

φ5\*45

### Instructions for use of the track

This part is mounted on the side panels of the cabinet

When this part is installed, these two holes correspond to the pilot holes on the side plate

2. Finger pulls the tab to the bottom while the part is pulled in the direction of the arrow, then it can be withdrawn.

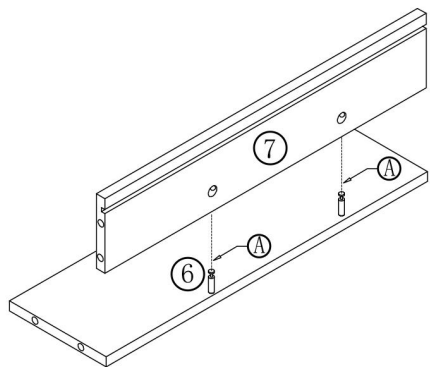
1. First of all, stretch the track to see the plastic elasticity of the strip (usually black).

When installing this part, this end is close to the surface of the drawer.

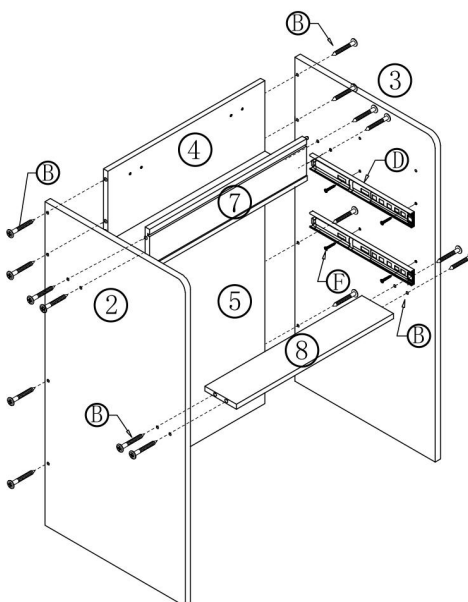
This part is installed on the side plate of the drawer.

# Installation steps

Step 1: Connect the partition and upper back plate with the shelf with a 3-in-1.

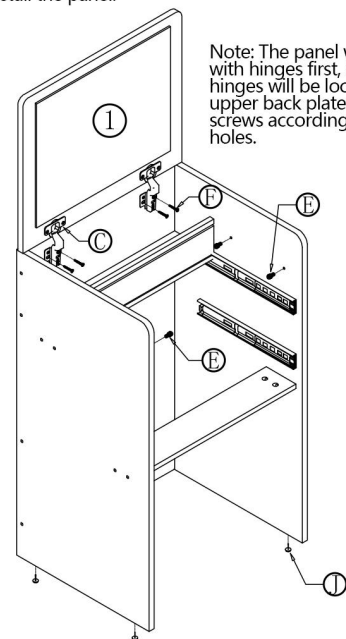


Step 2: Install the tie strips, lower back plate and left and right side panels.



Note: The side plate is pre-installed with  $\Phi 3.5 \times 12$  screws according to the lead hole.

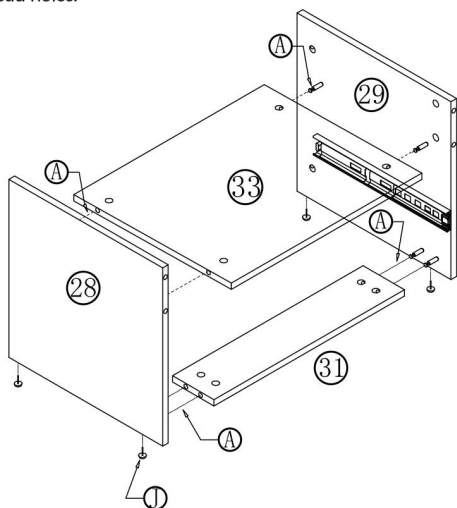
Step 3: Nail the foot pegs first, and then install the panel.



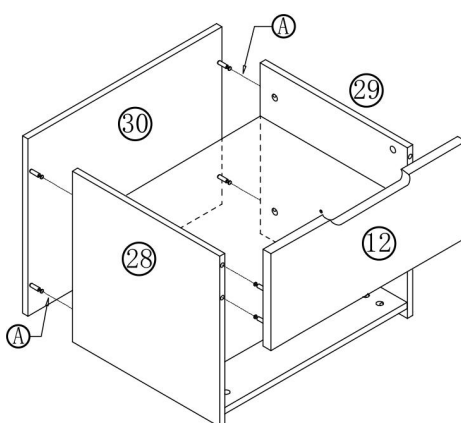
Note: The panel will be installed with hinges first, and then the hinges will be locked on the upper back plate with  $\Phi 3.5 \times 14$  screws according to the lead-in holes.

Step 4: Assemble the side panels of the makeup stool and the pull bar with 3-in-1 according to the picture.

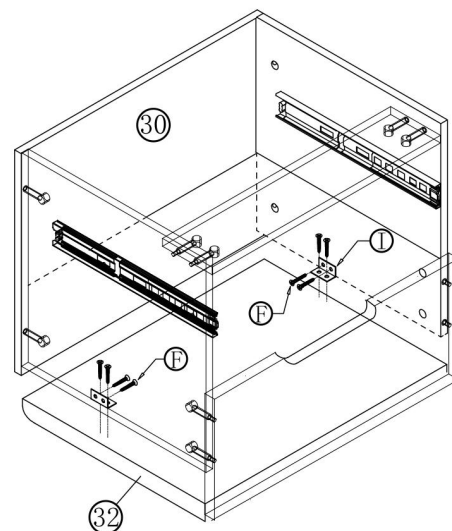
Note: Nail the side panels of the stool first, and use  $\Phi 3.5 \times 12$  screws to install the rails according to the lead holes.



Step 5: Install the back of the stool and the false drawer.

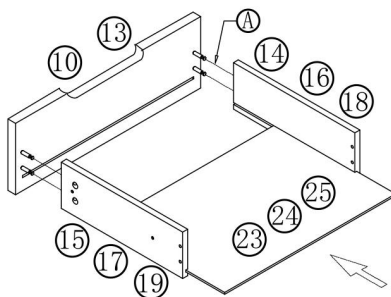


Step 6: Install the seat cushion

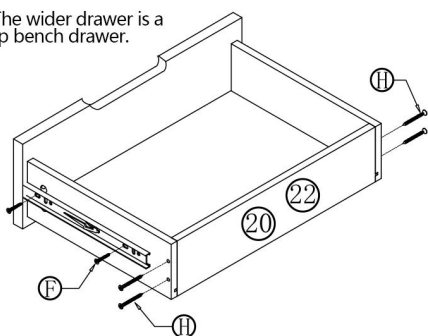


Note: Place the seat cushion in the appropriate position, place the stool upside down, and fix it in the side panel position with screws and small corner codes.

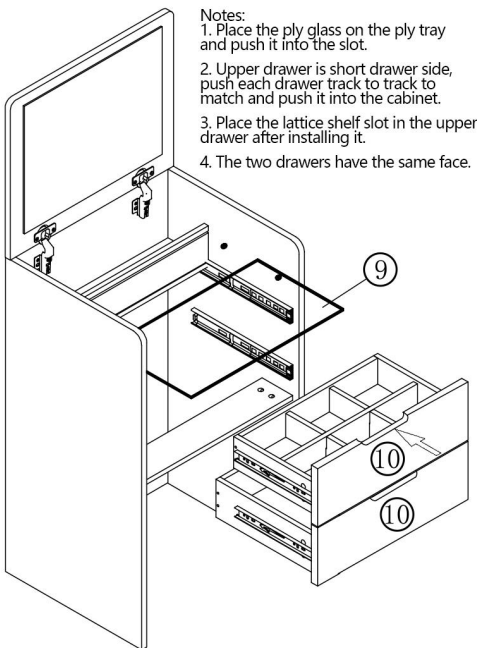
Step 7: Assemble the drawers according to the drawing.



Note: The wider drawer is a makeup bench drawer.

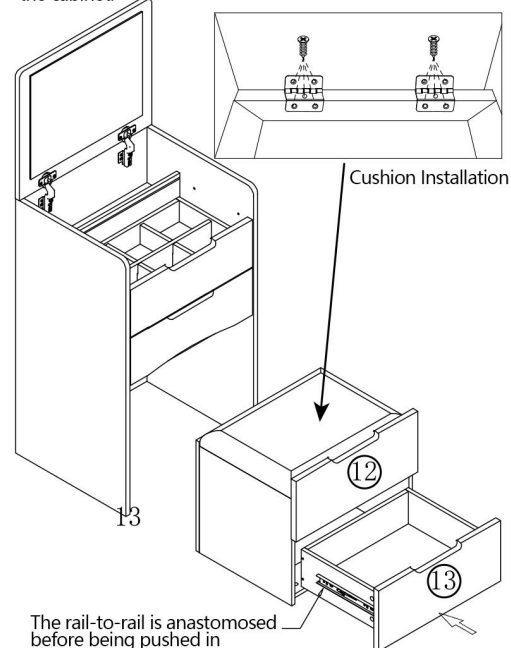


Step 8: Install the laminated glass and drawers.



Notes:  
1. Place the ply glass on the ply tray and push it into the slot.  
2. Upper drawer is short drawer side, push each drawer track to track to match and push it into the cabinet.  
3. Place the lattice shelf slot in the upper drawer after installing it.  
4. The two drawers have the same face.

Step 9: After installing the drawers, push them into the cabinet.



The rail-to-rail is anastomosed before being pushed in