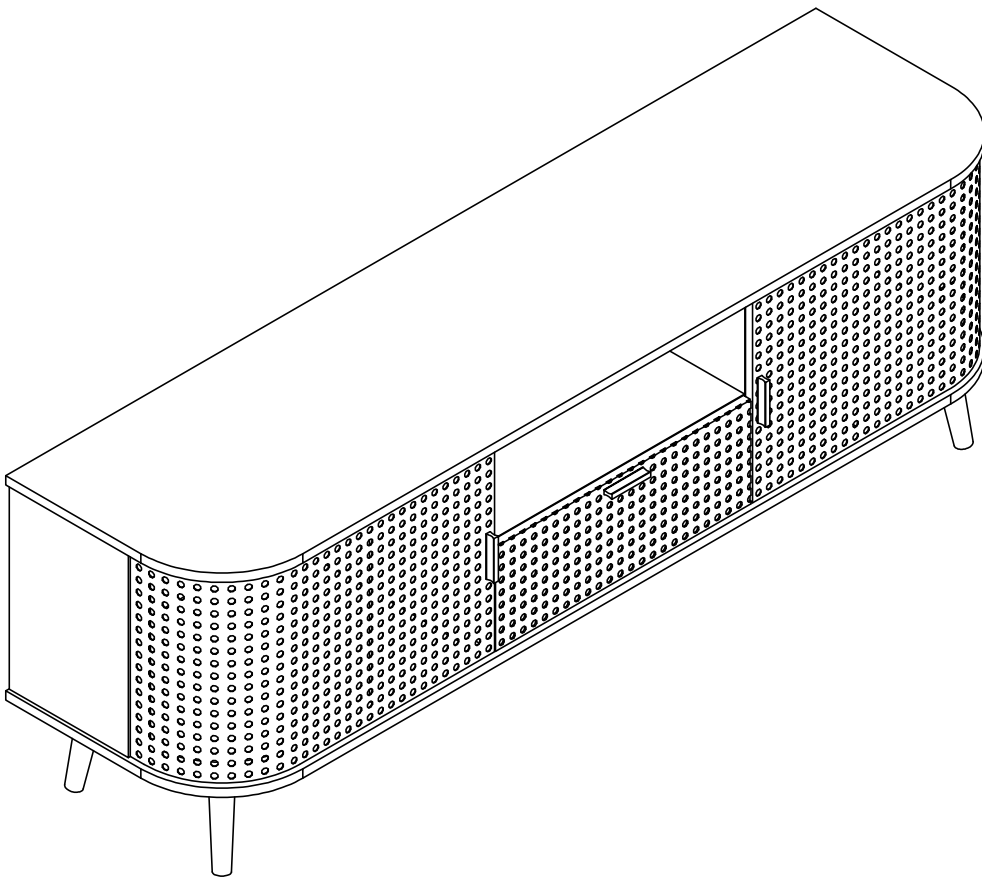


Installation Instruction



Assembling

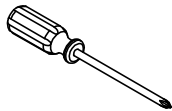
Estimated time for assembly



45 : 00

What you need

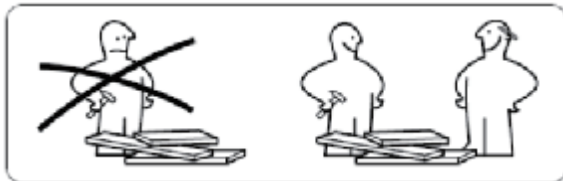
- Use the packaging carton as a working surface to prevent product damage during assembly
- Phillips head screwdriver



Weight Limitation



100 | **35**
lbs table top lbs per

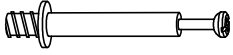


What' included

Code	Description	Qty
A	Cam Bolt M6X35MM	12
B	Cam Lock 15X9MM	17
C	Wooden Dowel M6X30MM	16
D	Screw M4X40MM	15
E	Screw M3.5X14MM	30
F	Metal shake handhandle	3
G	Nylon Strap	2
H	Screw M3.0X12MM	40
I	Cam Bolt M4X16MM	6
J	The back button	12
K	Anchor	2
L	Five hole iron sheet	4
M	Four hole iron sheet	2
N	Foot nail	4
O	Hole position sticker	17
P	Cam Bolt M6X35MM	5
Q	Ron absorption	2
R	Adjustable Leveler	2
S	Hinge	4
CL	Left mother extended orbit	1
CR	Right mother extended orbit	1
DL	Left public extension track	1
DR	Right public extends track	1

The Hardwares

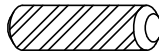
(A)



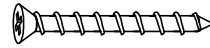
(B)



(C)



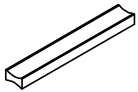
(D)



(E)



(F)



(G)



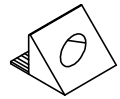
(H)



(I)



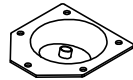
(J)



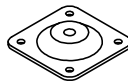
(K)



(L)



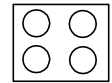
(M)



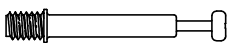
(N)



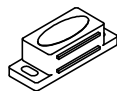
(O)



(P)



(Q)



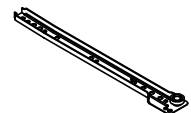
(R)



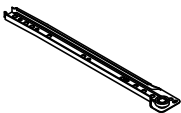
(S)



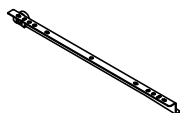
(CL)



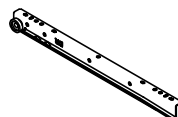
(CR)



(DL)



(DR)



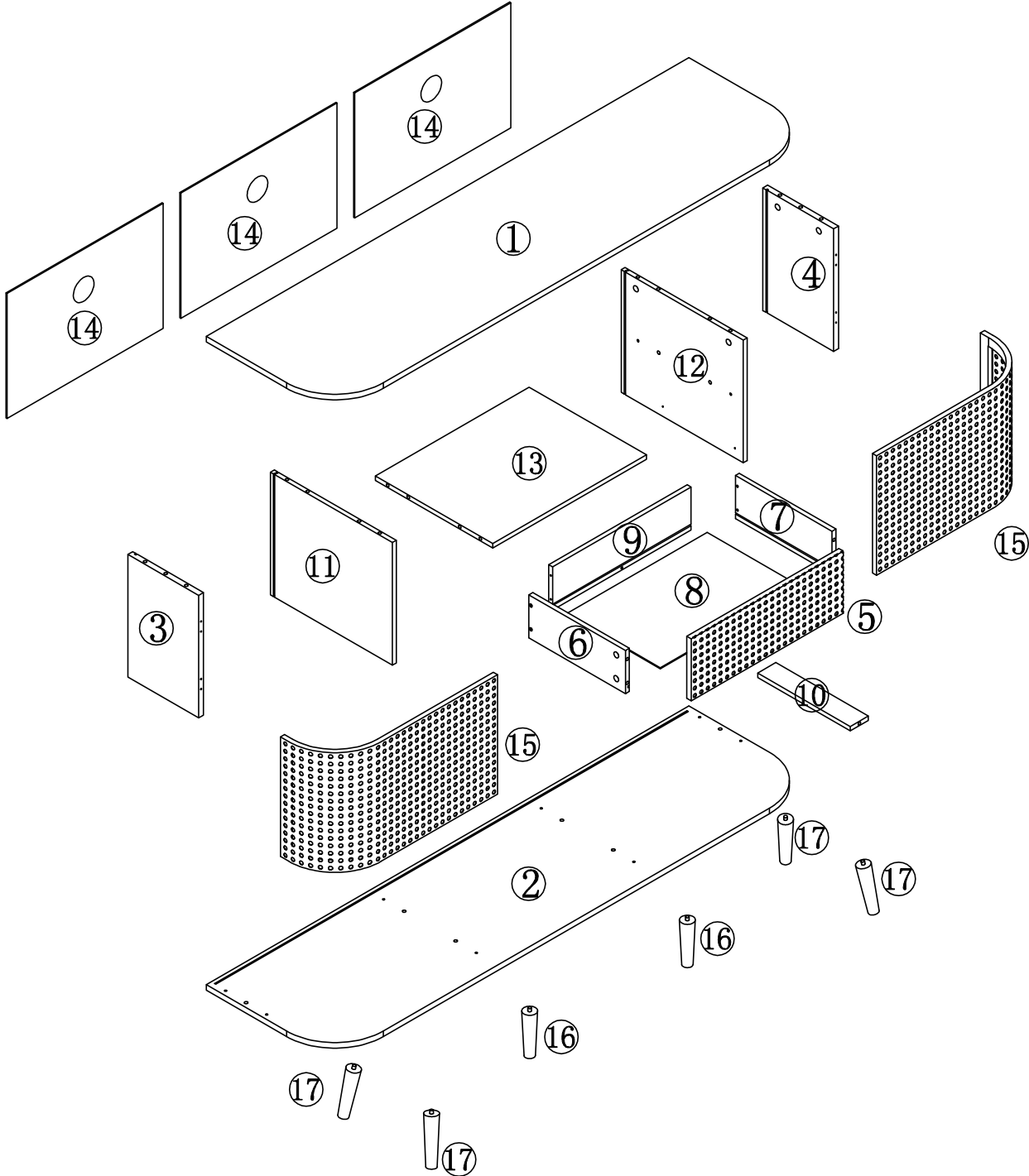
IMPORTANT:

1. Do not tighten bolts / screws completely until all bolts / screws are lined up and inserted into holes.
2. Do not over tighten screws and bolts to avoid stripping
3. Please use hand tools to assemble this product. Do not use power tools.

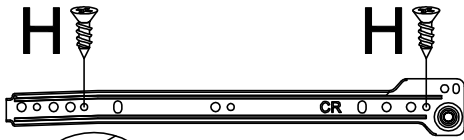
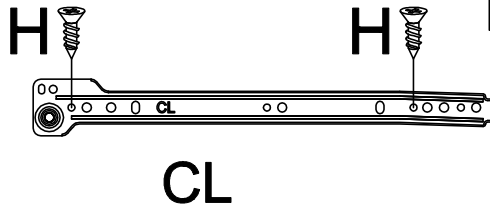
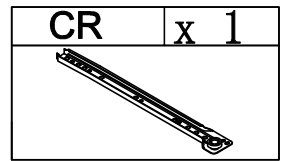
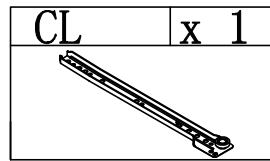
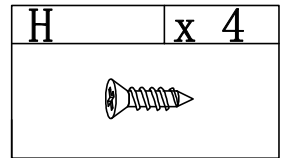
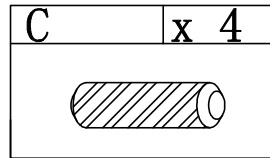
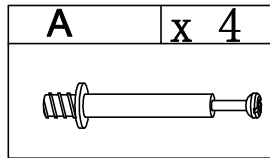
Included Accessories

Code	Description	Qty
1	Cabinet Top	1
2	Bottom Panel	1
3	Left Side Panel	1
4	Right Side Panel	1
5	Drawer panel	1
6	Drawer left panel	1
7	Drawer right side panel	1
8	The drawer bottom	1
9	After the drawer board	1
10	Reinforcing strip	1
11	Left median plate	1
12	Right center plate	1
13	Laminate	1
14	Backboardl	3
15	Metal Door	2
16	Adjustable foot	2
17	Supporting leg	4

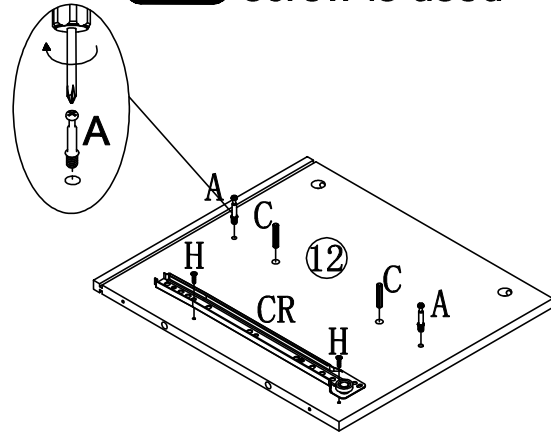
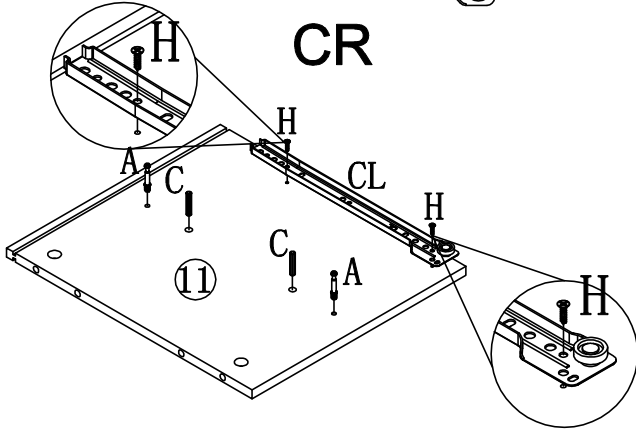
The Accessoriss



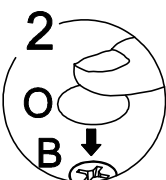
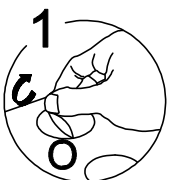
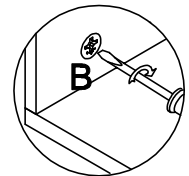
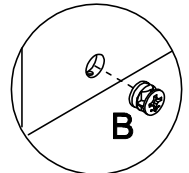
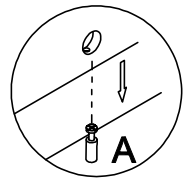
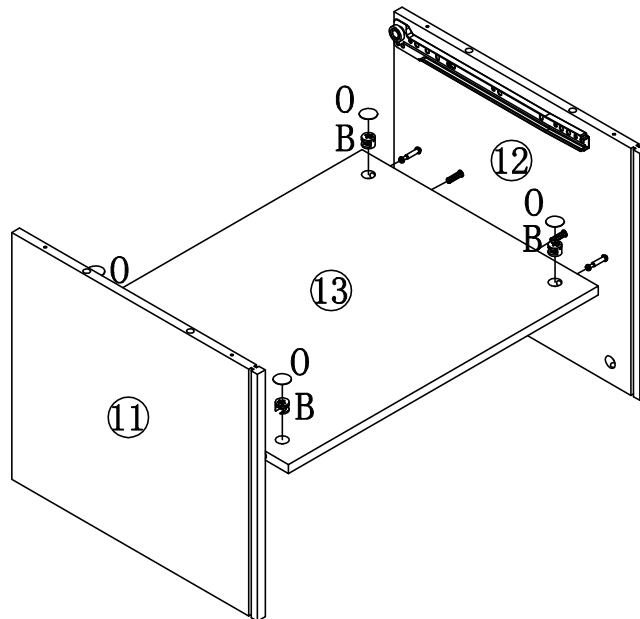
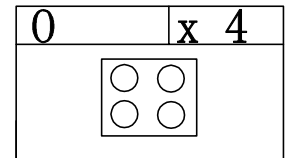
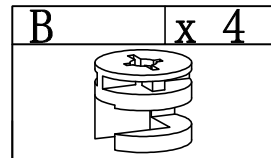
Step 1



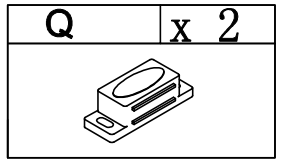
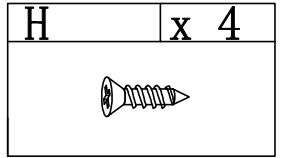
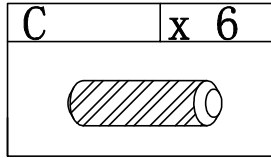
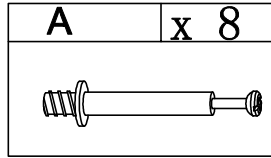
Here a coarse toothed screw is used




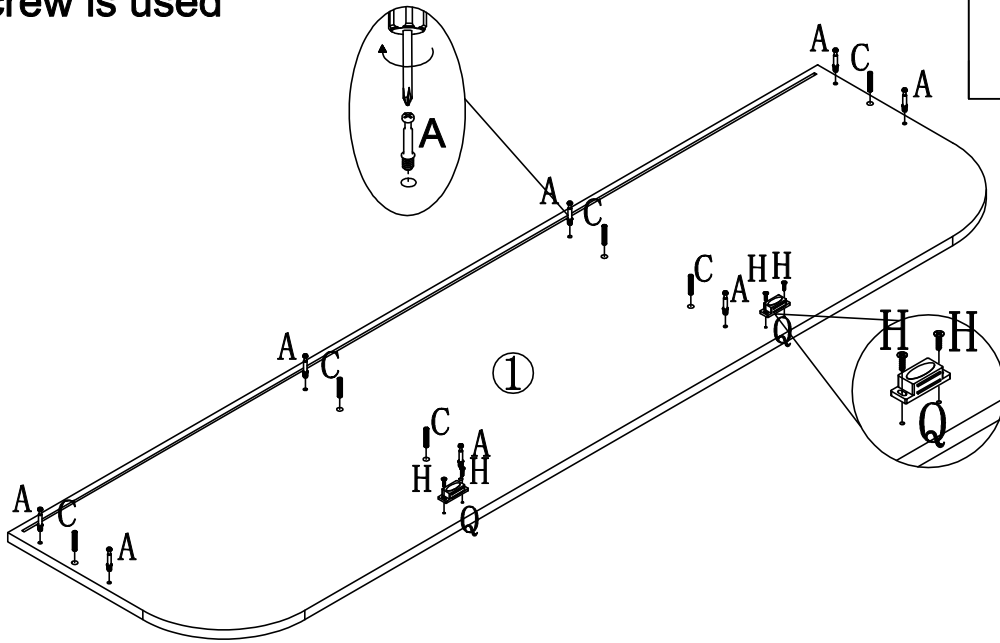
Step 2



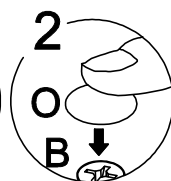
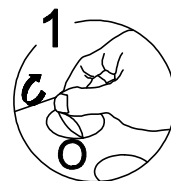
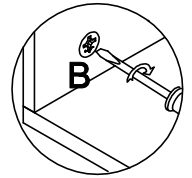
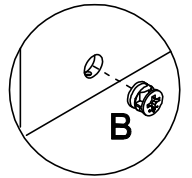
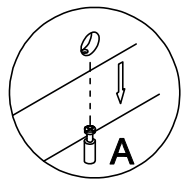
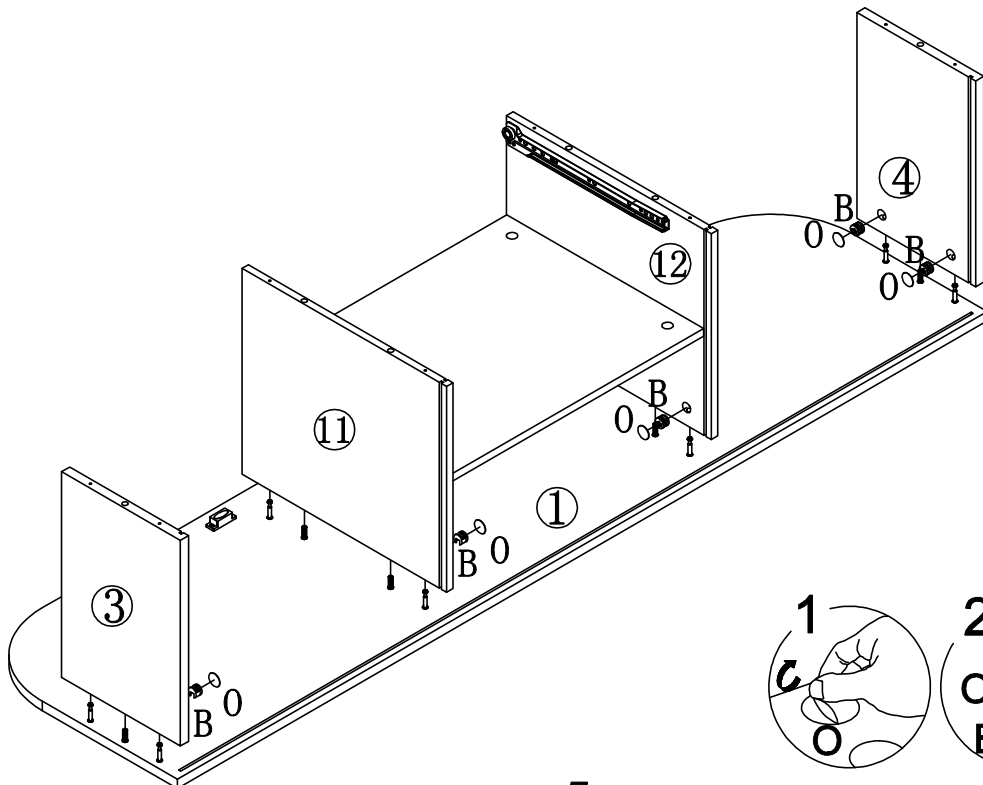
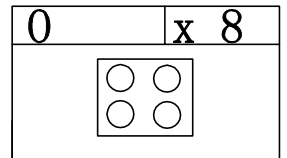
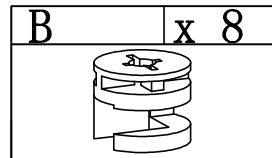
Step 3



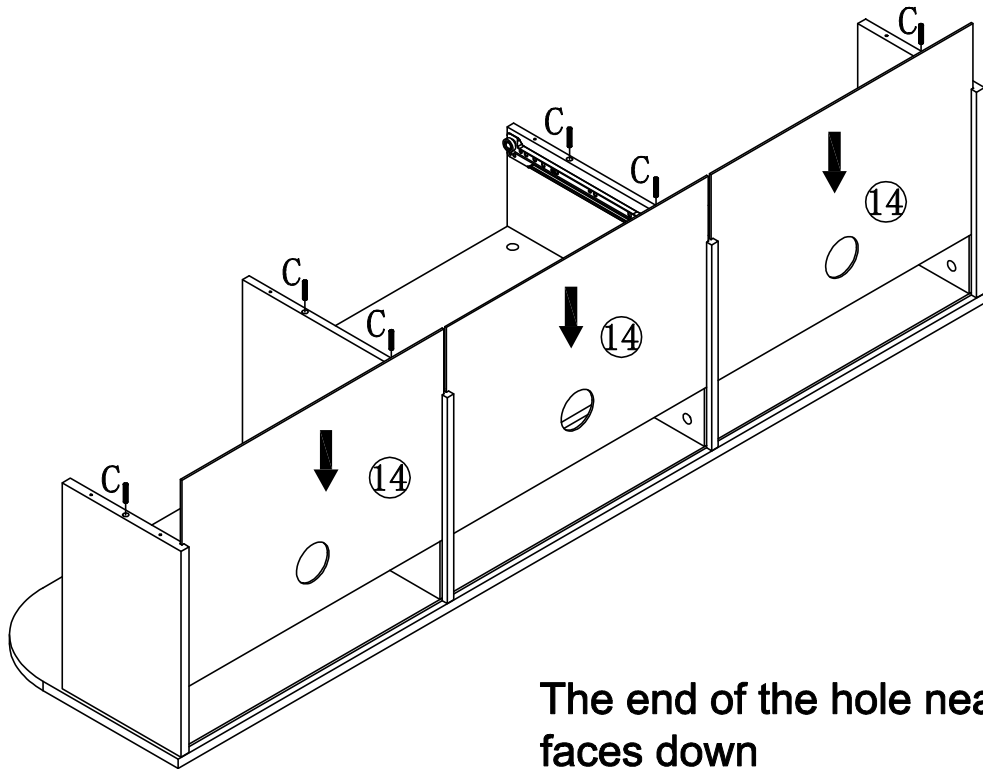
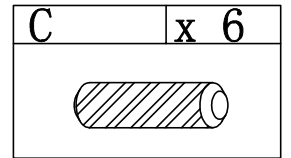
 Here a coarse toothed screw is used



Step 4

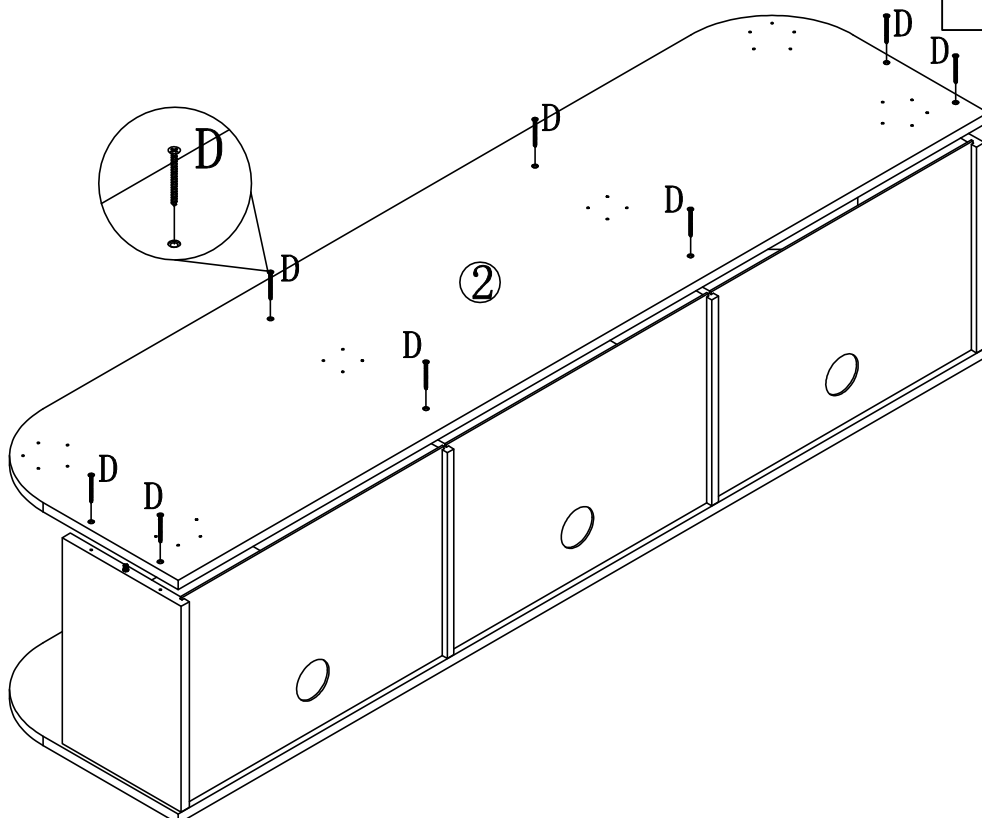
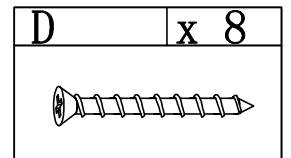


Step 5





The end of the hole near the edge faces down


Step 6

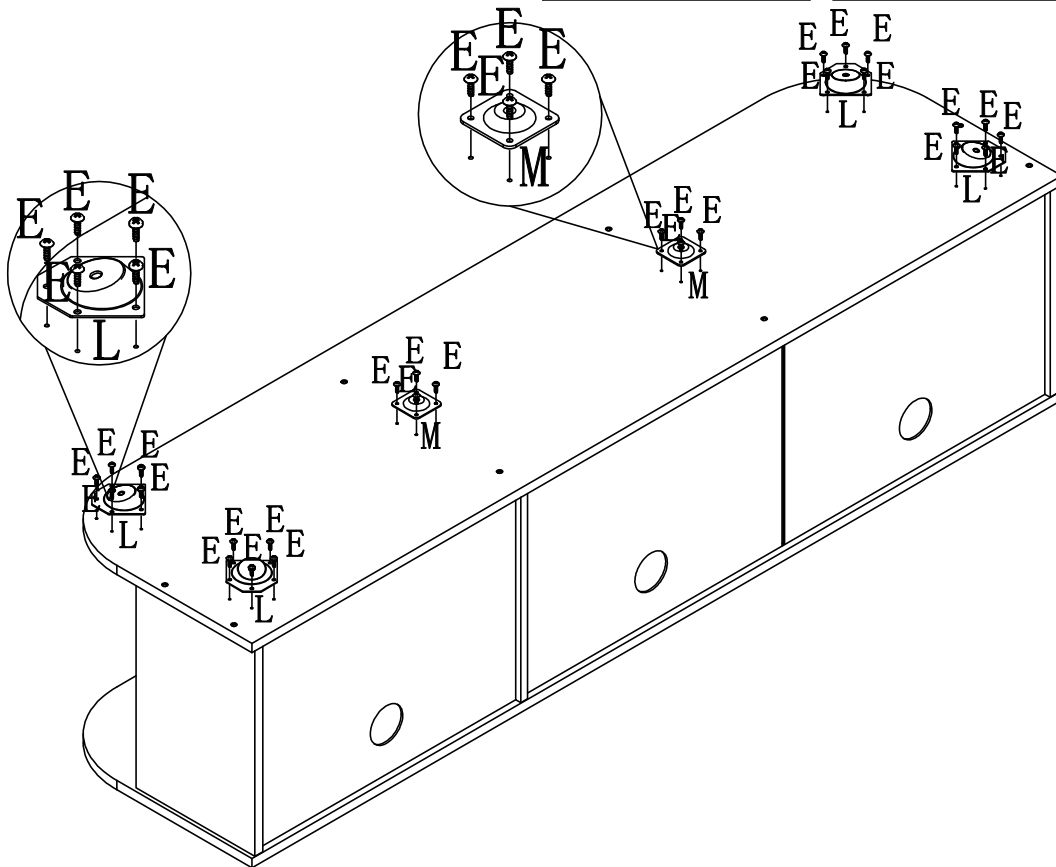


Step 7


E	x 28
	


L	x 4
	

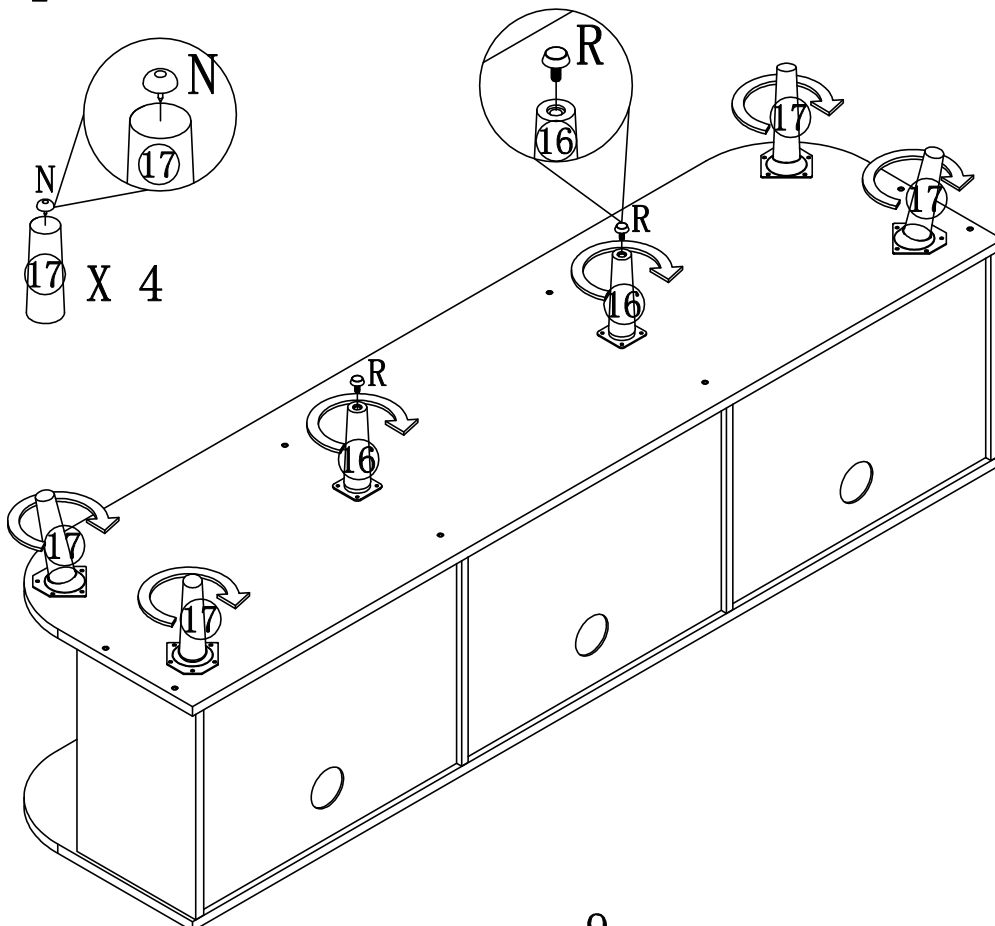
M	x 2
	



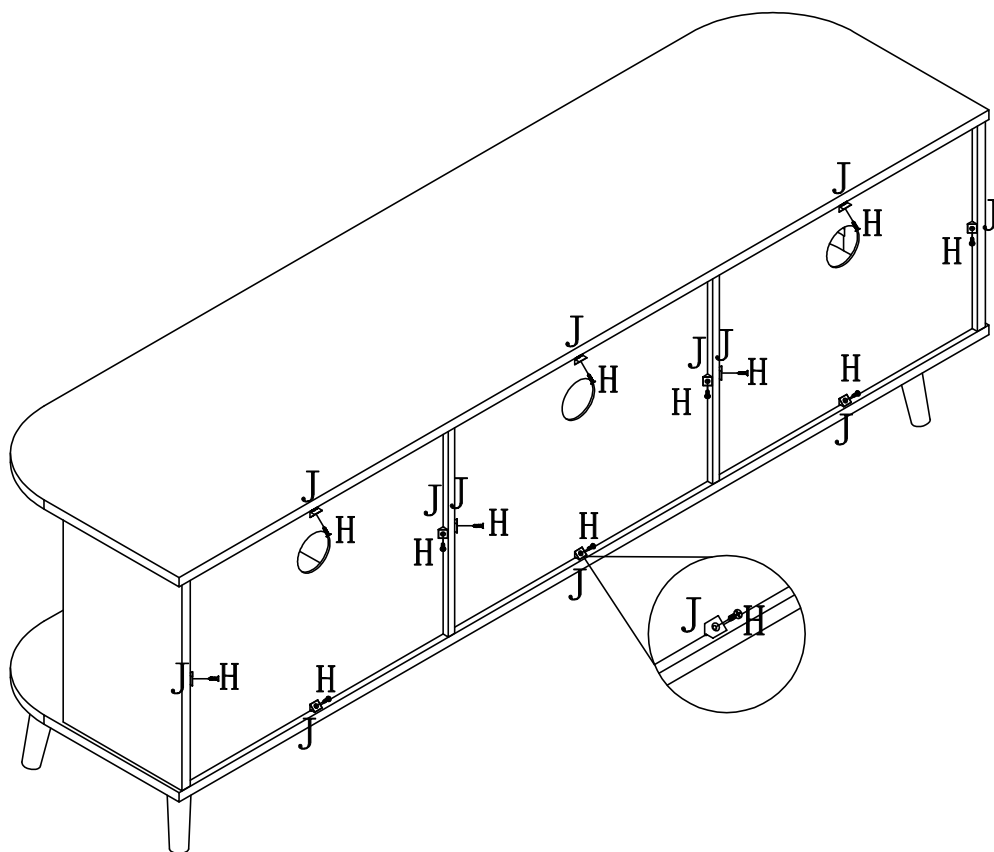
Step 8


R	x 2
	

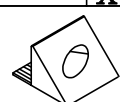
N	x 4
	



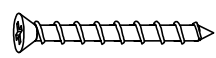
Step 9

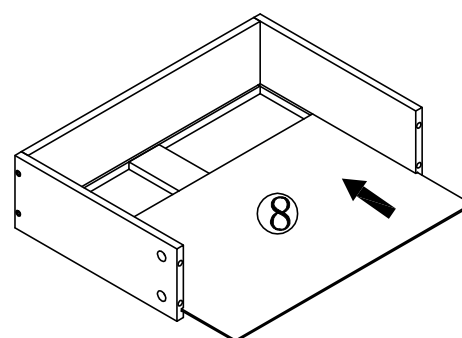
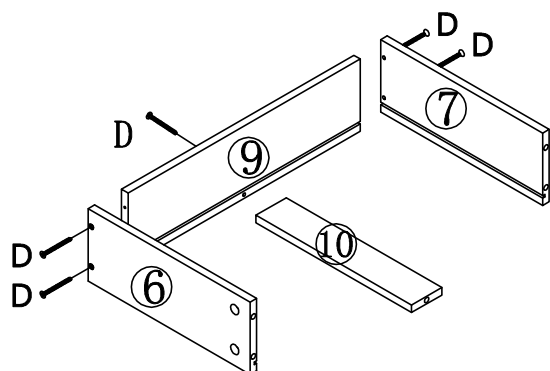


H	x 12
	

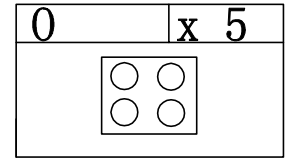
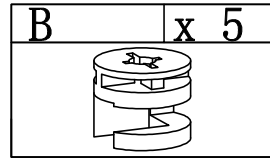
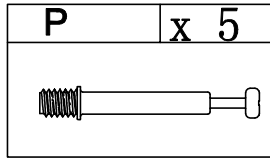
J	x 12
	

Step 10

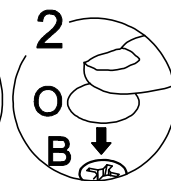
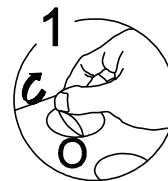
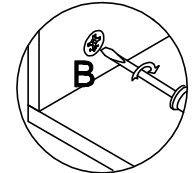
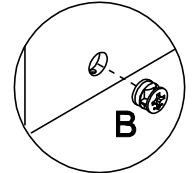
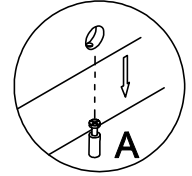
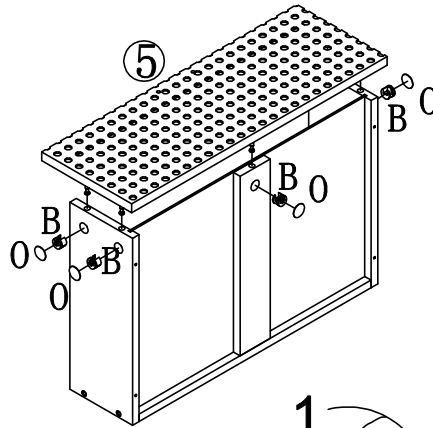
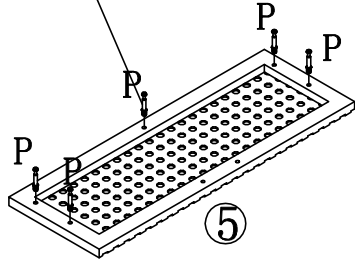
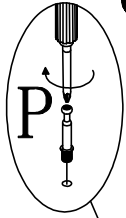
D	x 5
	



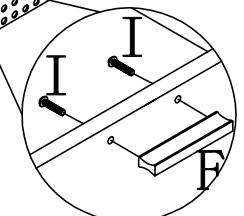
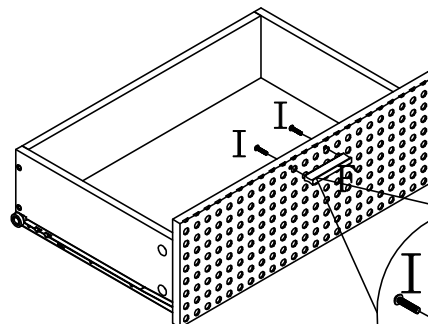
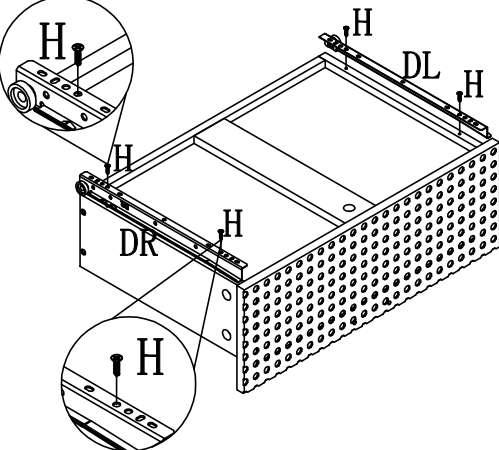
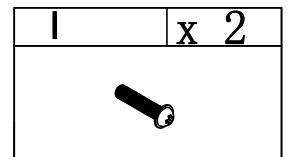
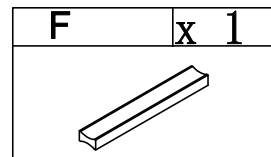
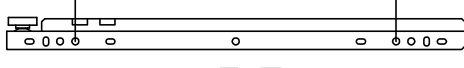
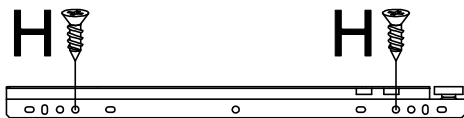
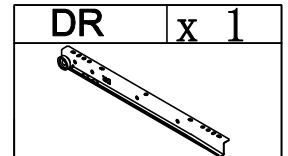
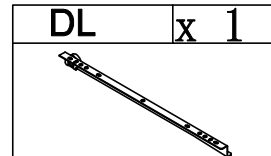
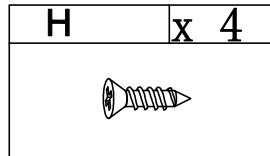
Step 11



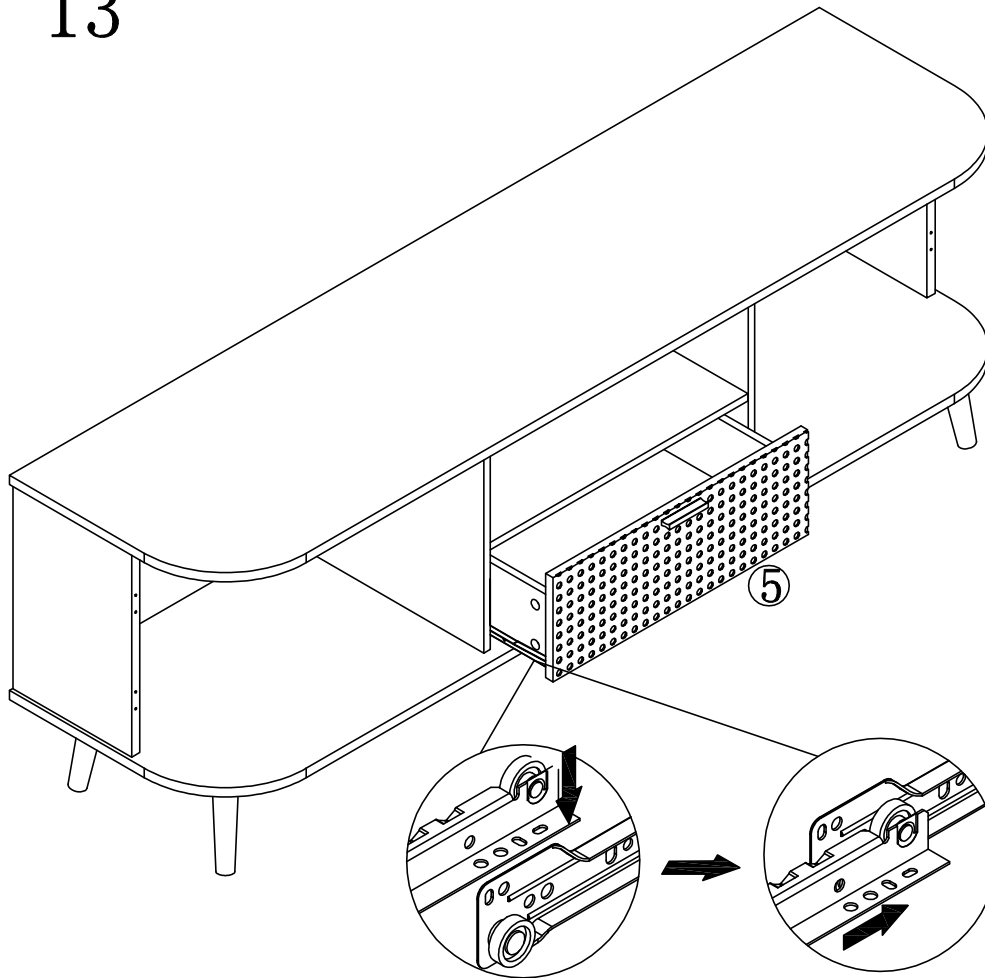
Here, a fine-toothed screw is used



Step 12

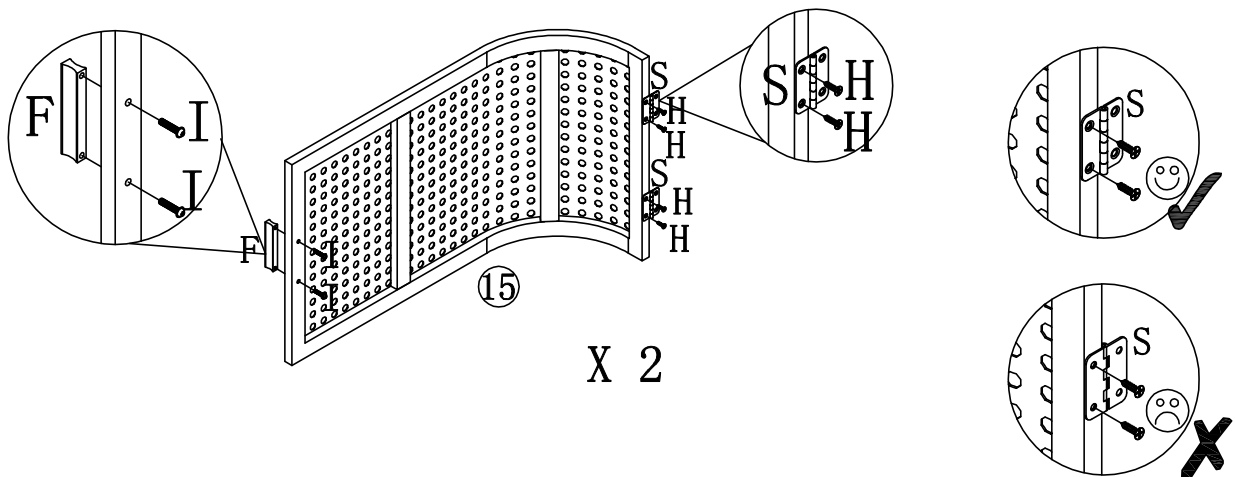


Step 13




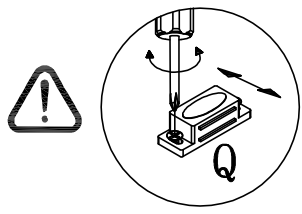
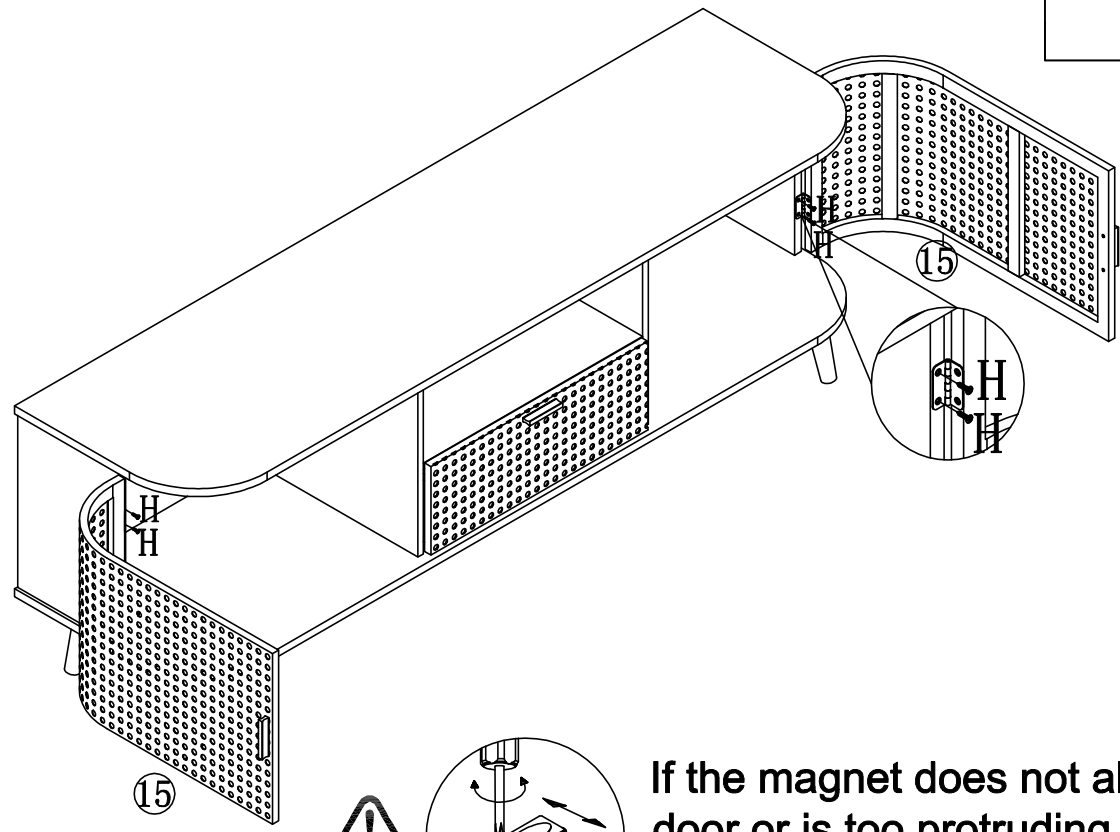
Step 14

F	x 2	H	x 8	I	x 4
S					
x 4					



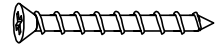
Step 15


H	x 8
	




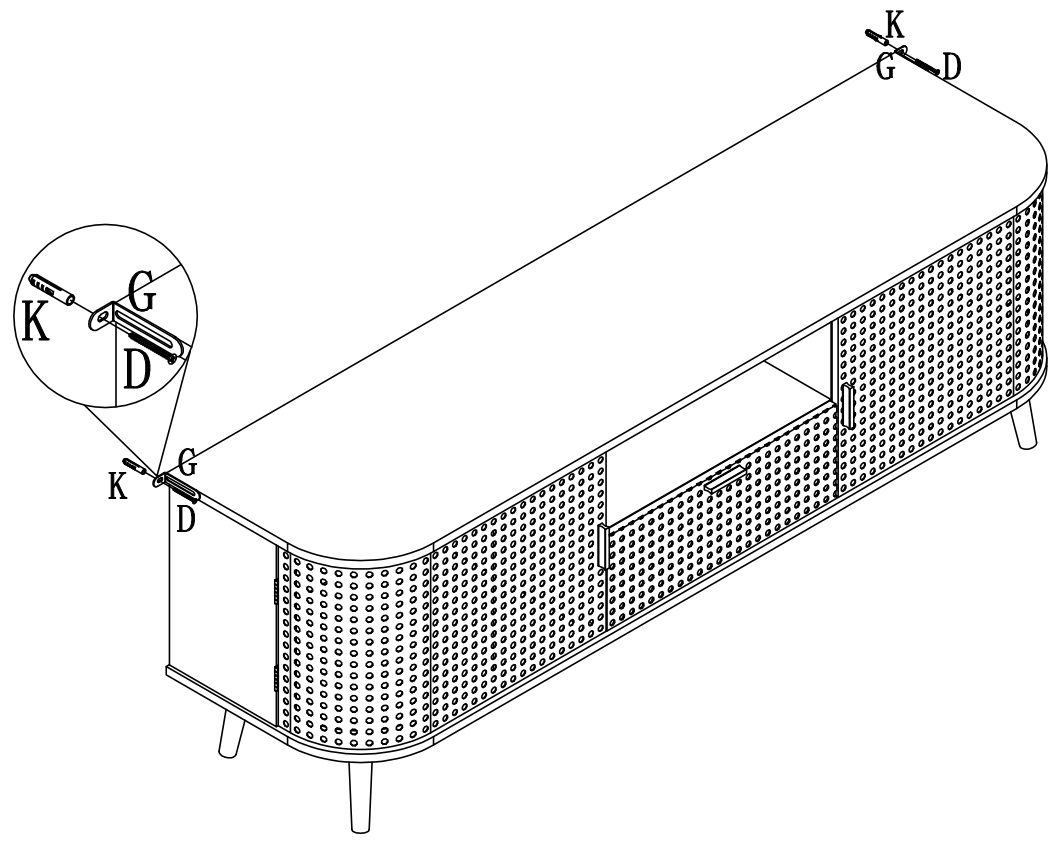
If the magnet does not absorb the door or is too protruding, please adjust the hardware Q as shown

Step 16


D	x 2
	

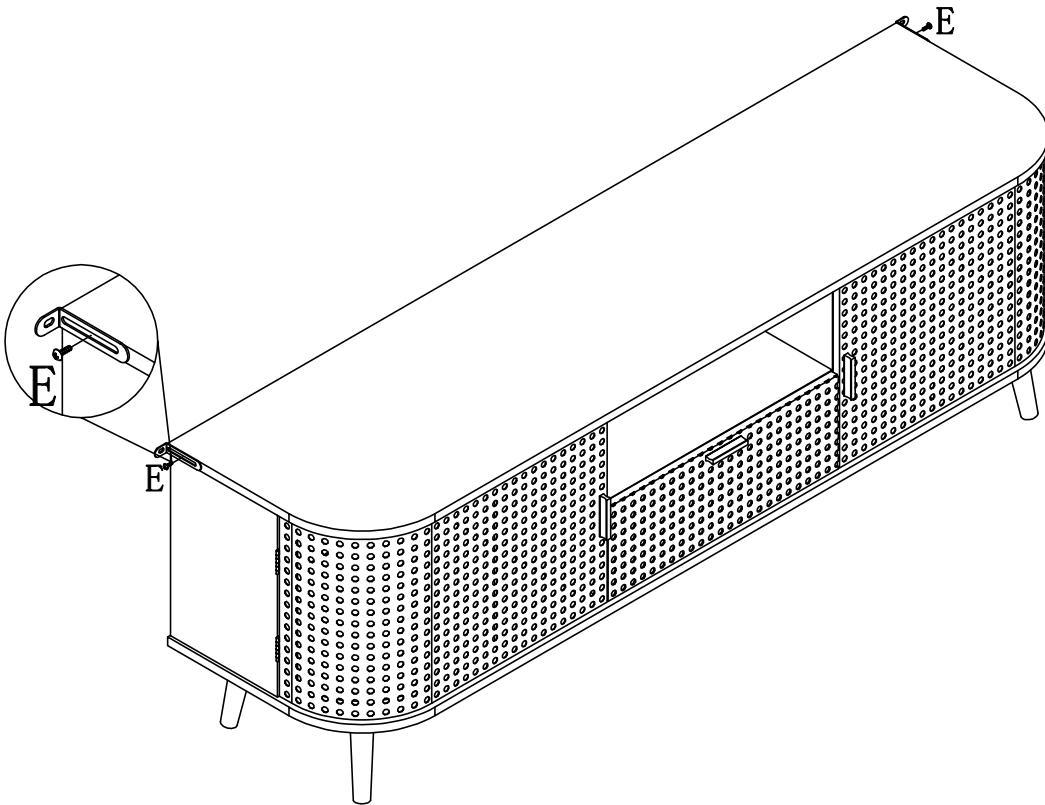
G	x 2
	

K	x 2
	

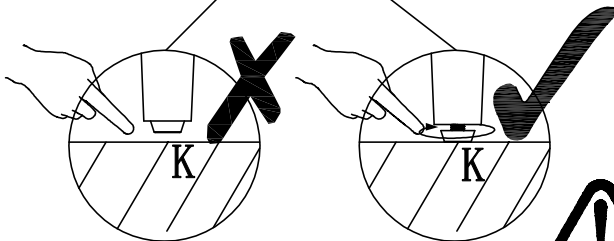
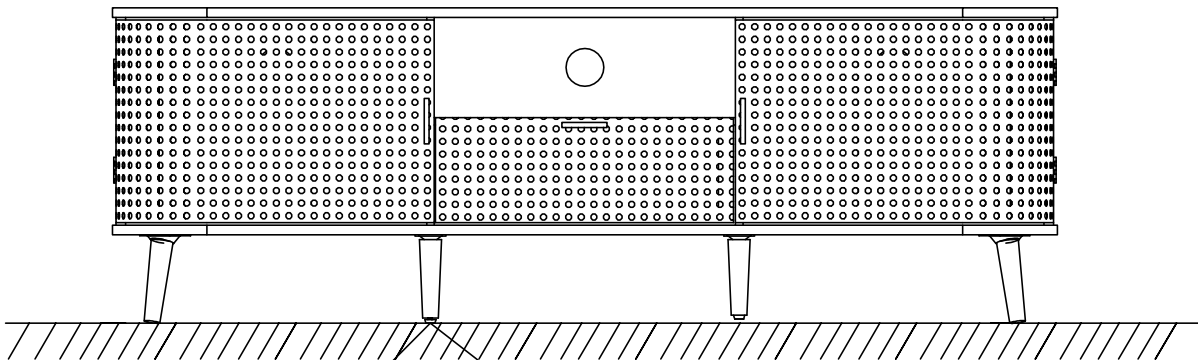



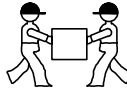
Step 17

E	x 2
	



Step 18



Two people work together to move the table.
Make sure you lift it off the ground.
Don't push and pull.