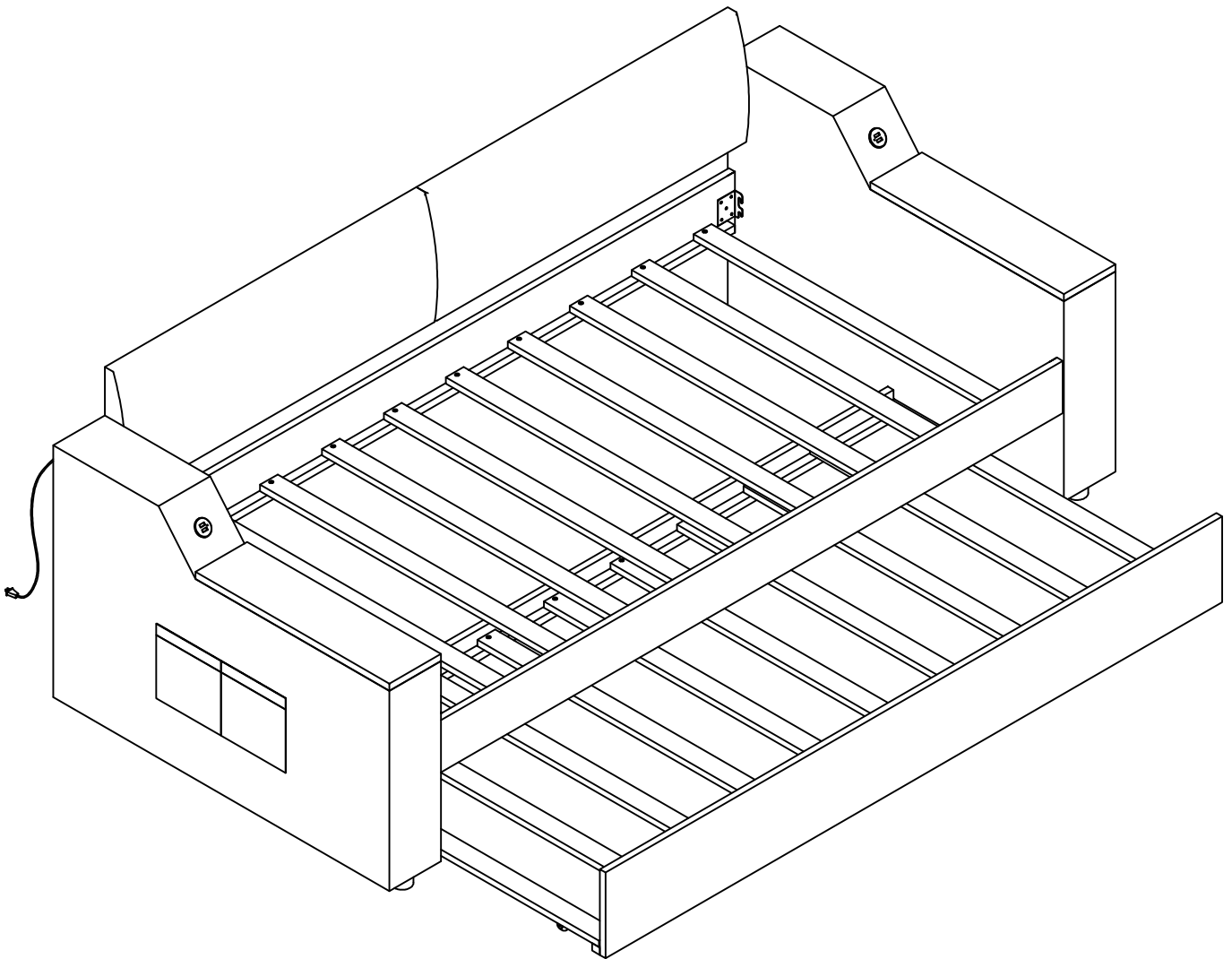


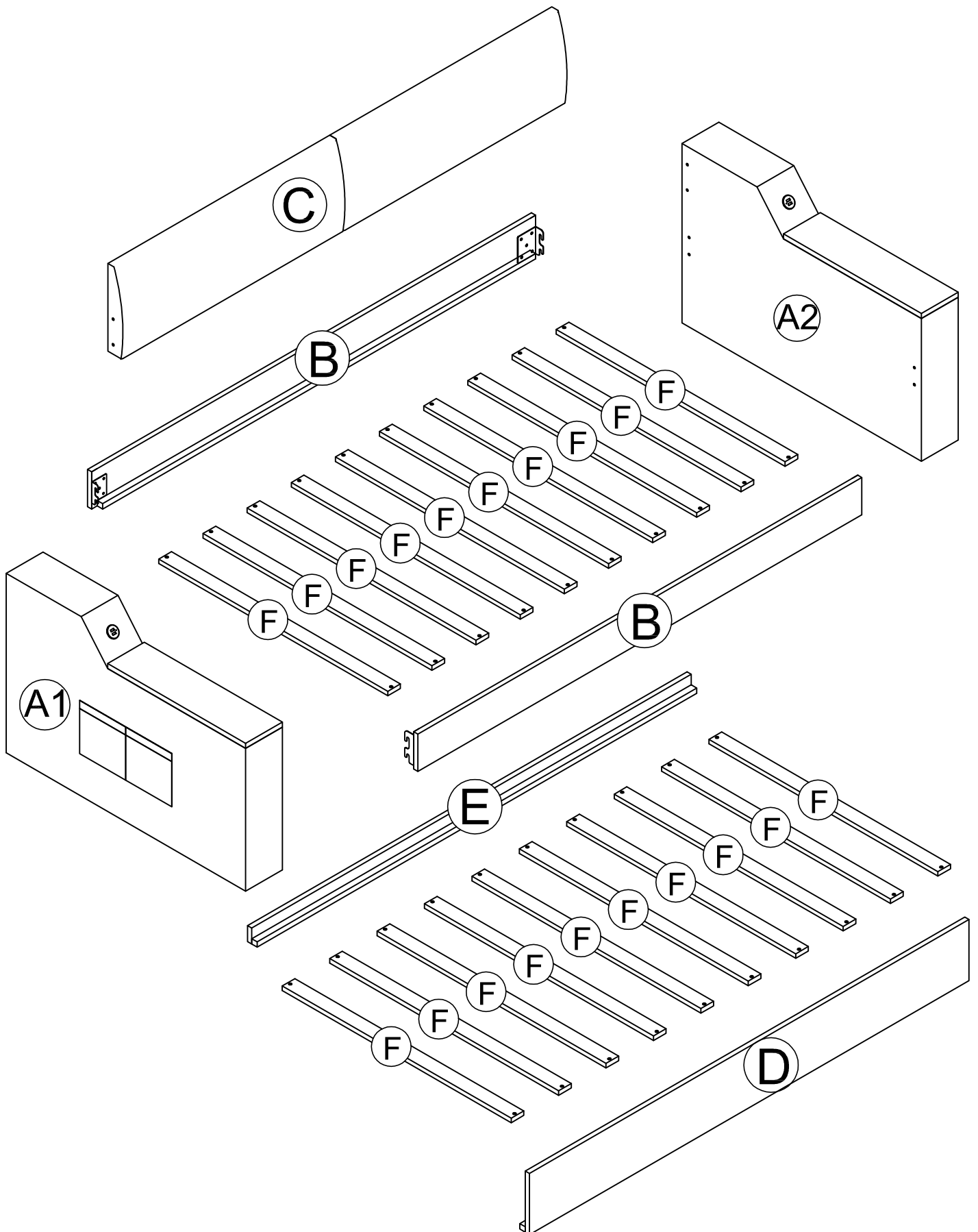
# ASSEMBLY INSTRUCTION



## **! SAFETY WARNINGS !**

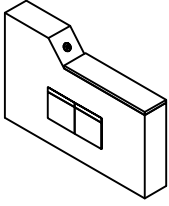
1. This bed is designed for use TWIN Mattress 75 inch Long and 39 inch Wide
2. Always use the recommended size mattresses or mattress supports, or both, to help prevent the likelihood of entrapment or falls.
3. Do not allow horseplay on or under the bed and prohibit jumping on the bed
4. Do not use substitute parts. Contact the manufacturer or dealer for replacement parts.
5. Keep these instructions for future reference

# ASSEMBLY INSTRUCTION



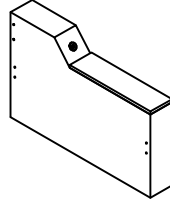
# Part List

A1



Right Arm-1pcs

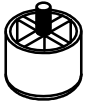
A2



Left Arm-1pcs

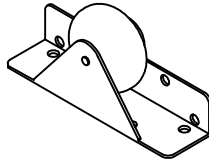
# Hardware List

1



Plastic Feet(Ø50x40)  
4pcs

2



Wheels 4pcs

3



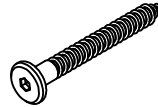
M4 x 15 mm  
Wood Screws 24pcs

4



M4 x 30 mm  
Wood Screws 40pcs

5



Ø1/4" x 60mm  
Wood Screws 12pcs

6



Steel Bracket  
3pcs

7



Allen Key 1pcs

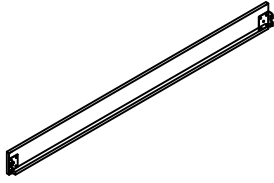
8



Plastic Drawer Stopper  
4 pcs

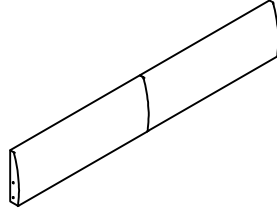
# Part List

B



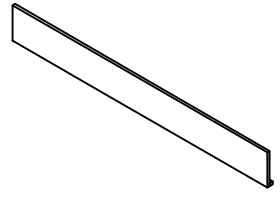
Side Rails-2pcs

C



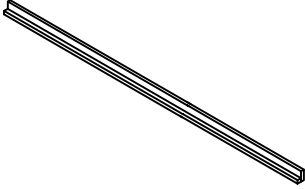
Back panel-1pcs

D



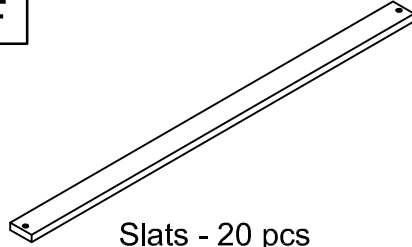
Trundle-Font Panel-1pcs

E

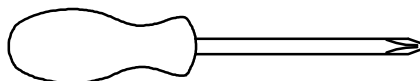


Trundle-Back Panel-1pcs

F

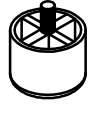


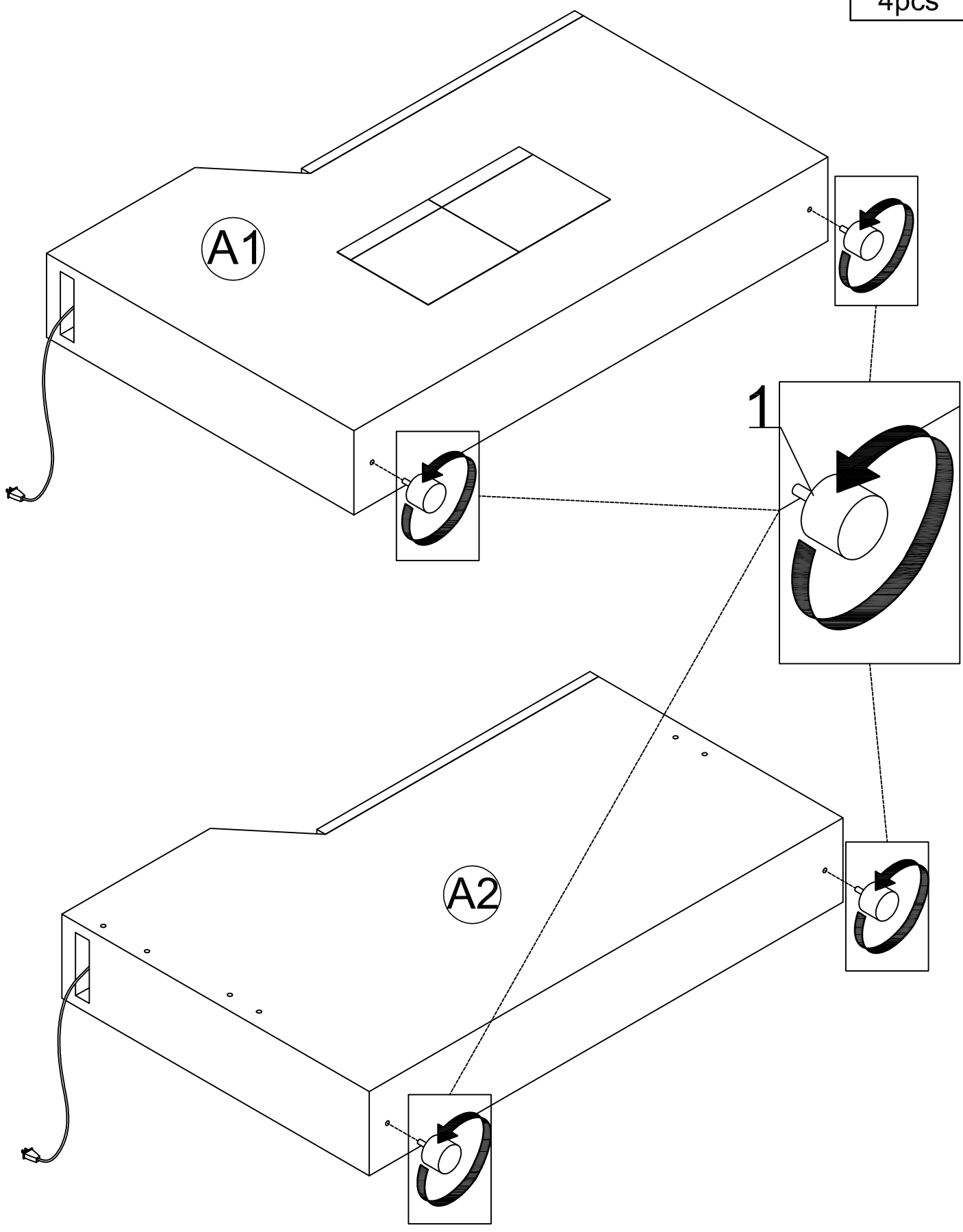
Slats - 20 pcs



Assembly Tools Required (Not Included)

# STEP 1: Following below illustration Assembly Plastic Feet(#1) With Headboard and Footboard use HW #1

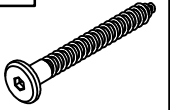
1	
4pcs	



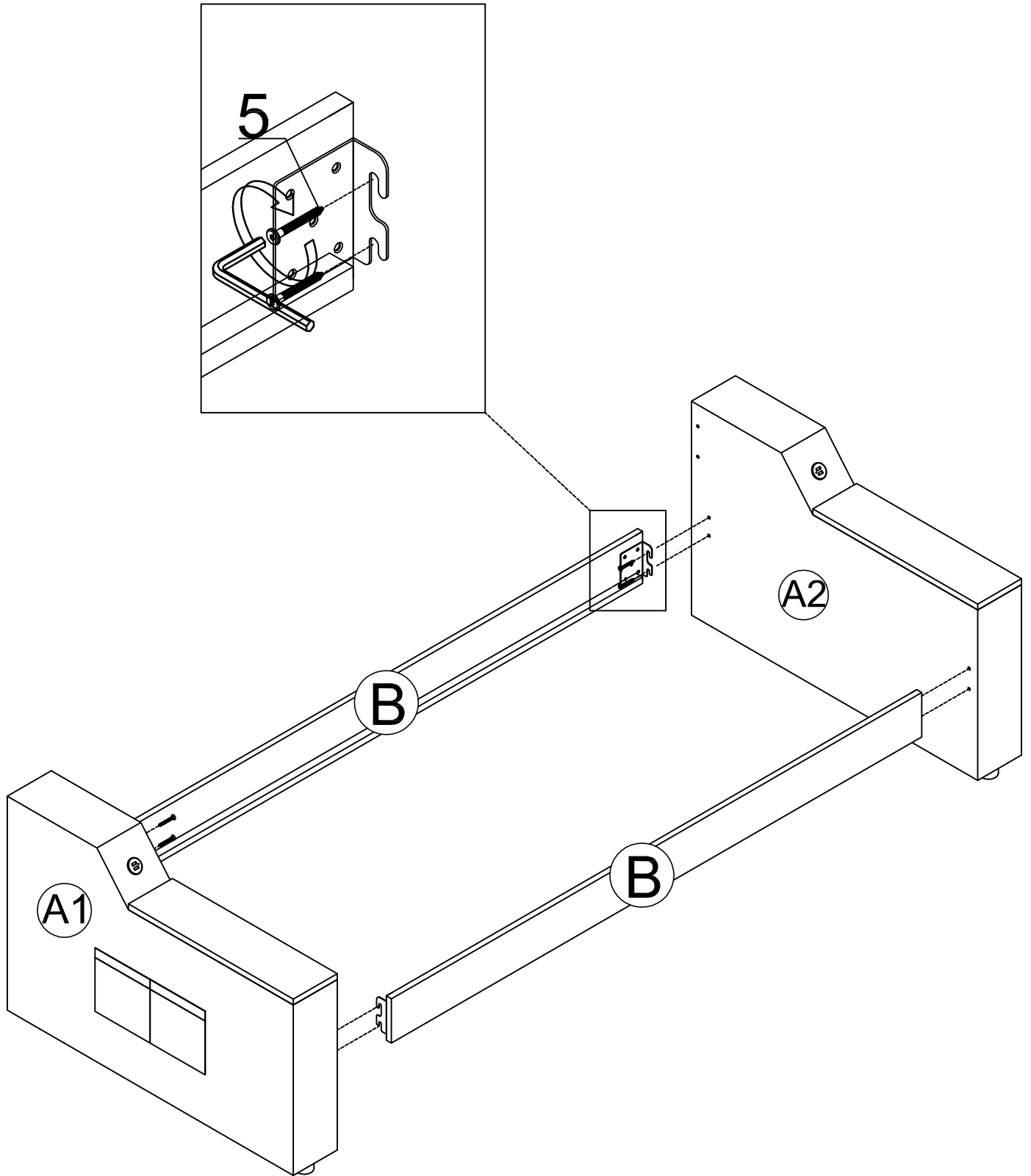
# STEP 2:

Following below illustration Using hardware #5 to Assembly  
Headboard and Footboard with siderail B(x2). Look at detail view for more detail

5

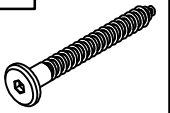


8pcs

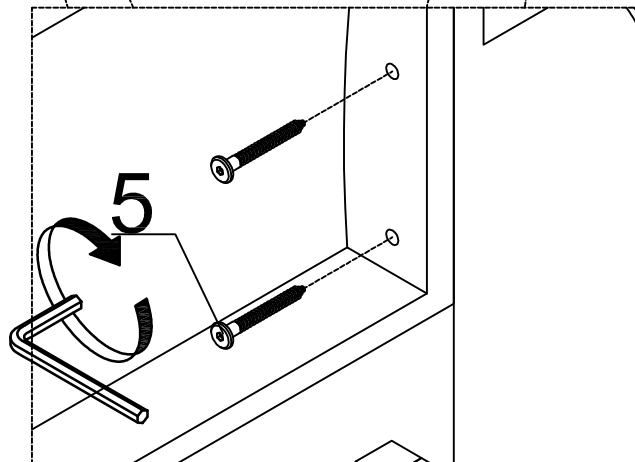
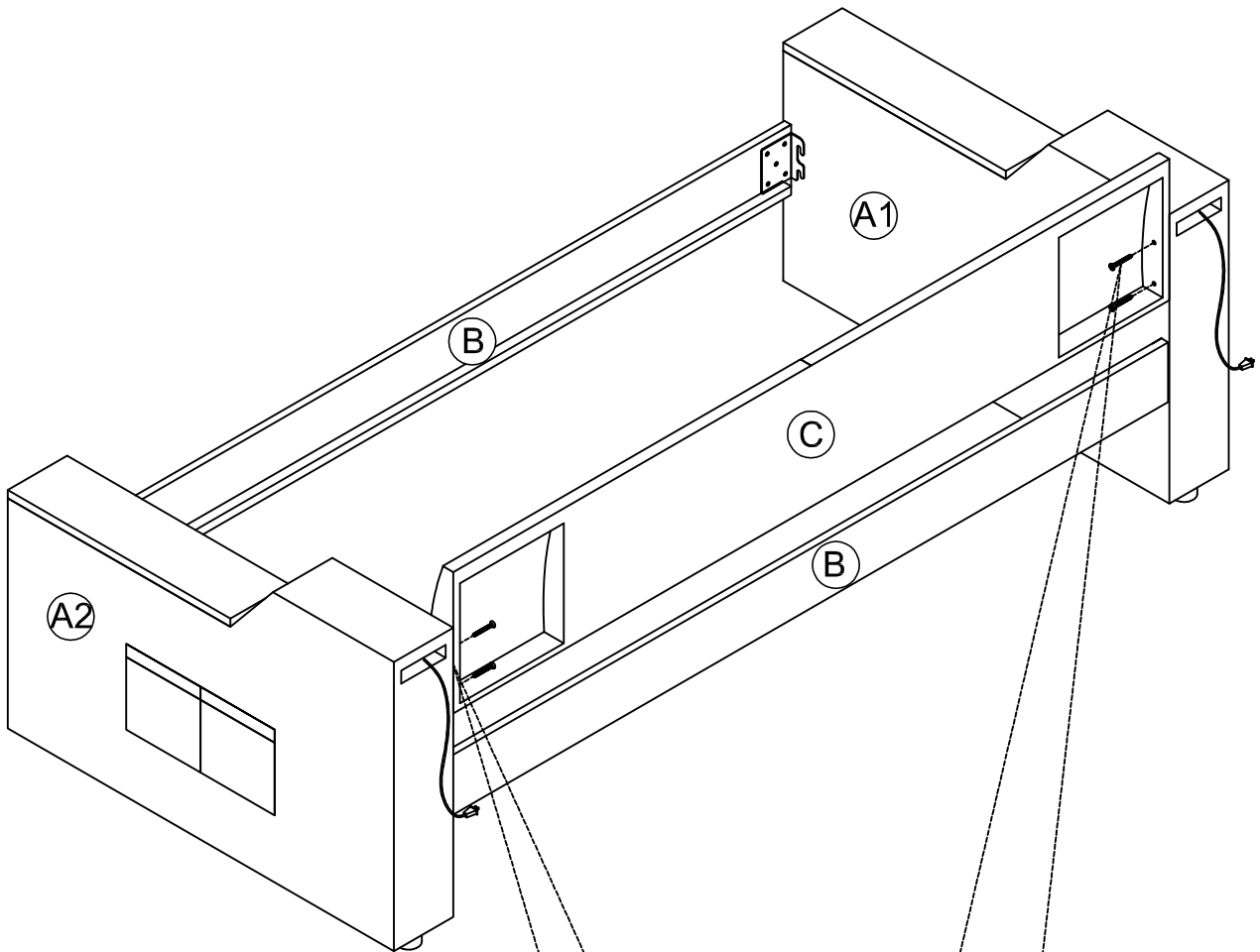


# STEP 3: Following below illustration .




5

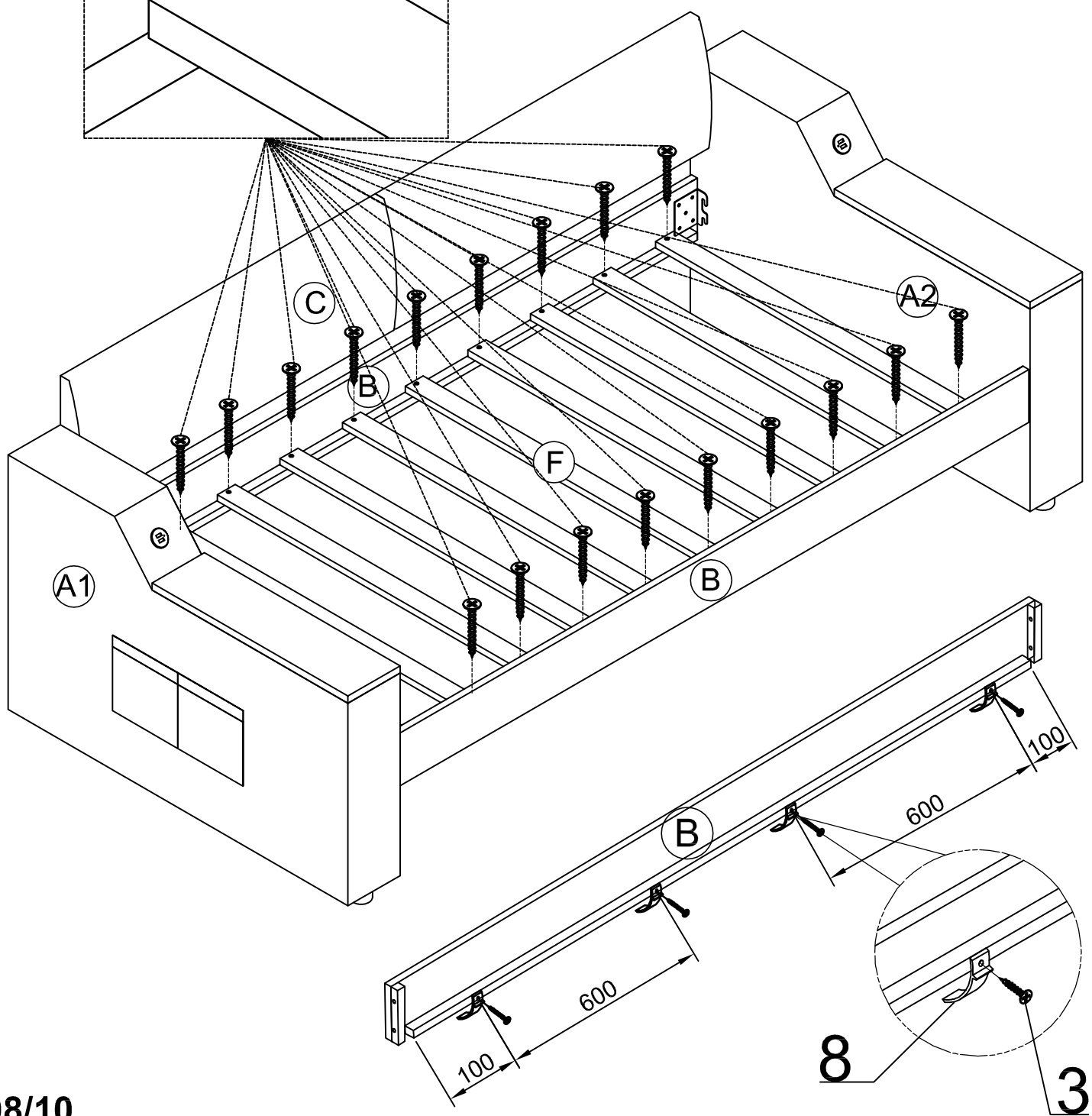
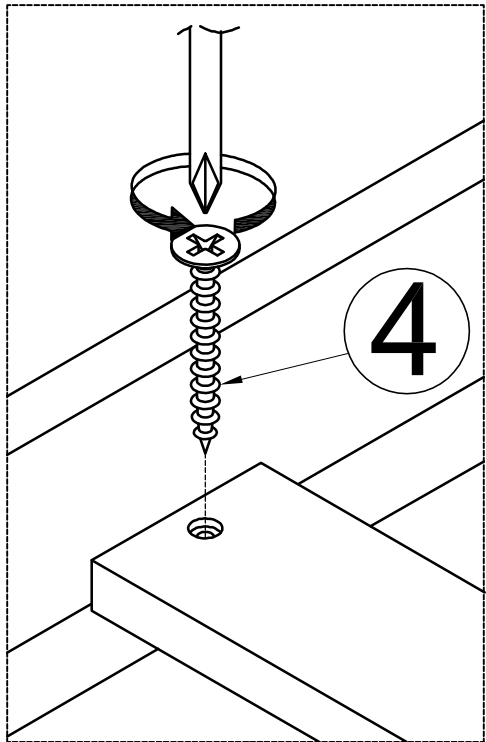


4pcs

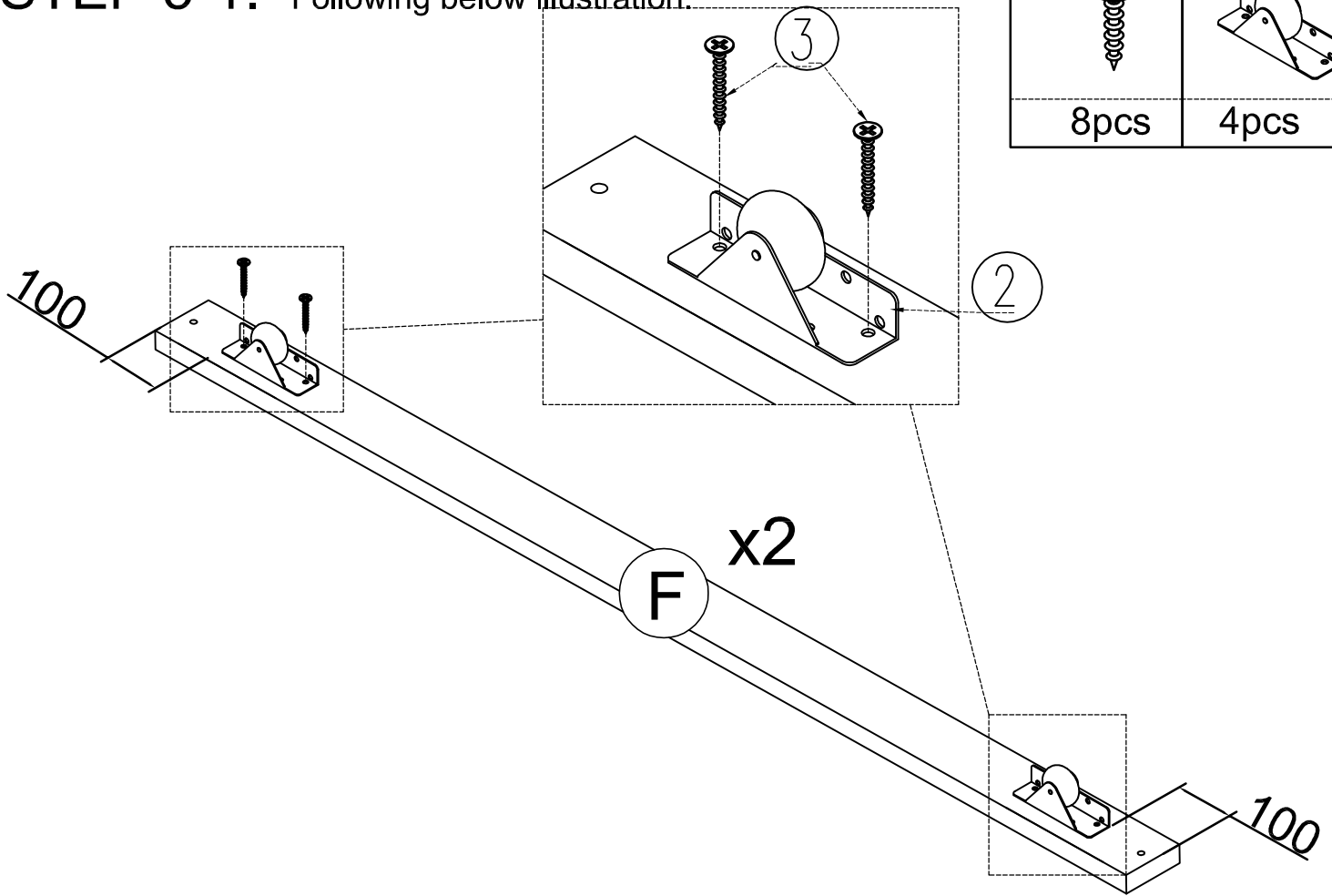


# STEP 4: Following below illustration .

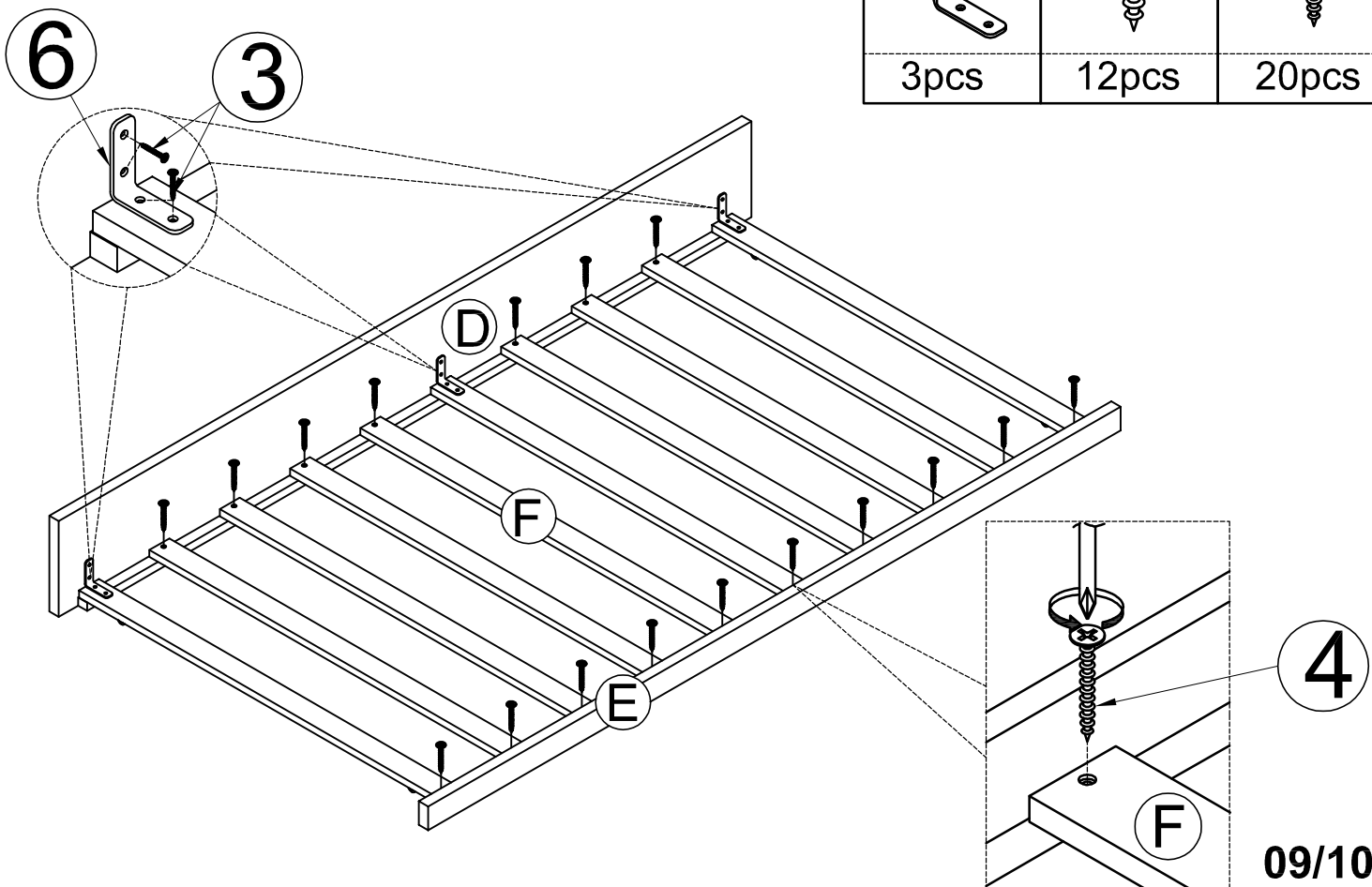
3		4		8	
4pcs		20pcs		4pcs	



# STEP 5-1: Following below illustration:



# STEP 5-2: Following below illustration:



# FINISH

