

# **Electric Towel Warmer User's Manual**

Adding a heated towel bar is one that can turn your everyday shower into a luxurious experience. Thank you for choosing our finely crafted towel warmer.

## I. Important Safeguards

When using electrical appliances, basic safety precautions should always be followed, including the following:

1. **READ ALL INSTRUCTIONS.**
2. This unit is not intended for use by persons (including children) with reduced physical, sensory or mental capabilities, or lack of experience and knowledge, unless they have been given supervision or instruction concerning use of the appliance by a person responsible for their safety.
3. Children should be supervised to ensure that they do not play with the unit.
4. Do not operate any unit with a damaged cord or plug or after the rack malfunctions, or has been damaged in any manner. Bring it to a qualified technician for examination, repair or electrical or mechanical adjustment.
5. Do not use to dry silk fabrics.
6. Ensure that unit is securely fixed to the wall. Unit is designed for drying towels. Under no circumstances should anybody climb on or hang on unit.
7. This unit must be connected to the electrical nameplate display rated voltage on the power supply.
8. There should be at least a 48" clearing between the bottom edge of the unit and the floor.
9. To avoid a possible fire hazard, it is essential unit is mounted in accordance with guidelines stated in these instructions.

## II. Care & Cleaning Instructions

1. For routine cleaning, simply switch off the unit, allow to cool to room temperature, wipe with a damp cloth and buff with a soft, dry cloth.
2. Under no circumstances should abrasive cleaners be used to clean the unit.
3. Do not immerse cord, plugs, or appliance in water or other liquid.

### **Warning**

1. To avoid unnecessary risk or danger, this product must be properly grounded.
2. Any repairs must be done by a qualified technician who is deemed qualified by industry standards. When any external wire fittings are required, the unit must be disconnected from the circuit.
3. Before drilling, use an electronic detector to confirm whether there are power cables, or water pipes in the wall. If you use laser equipment to locate the borehole, please follow the below two points:
  - A. Please bring protective mirror;
  - B. Turn off the power after using the equipment.

### III. Specifications

Model	AI3001
Voltage	110 Volt
Wattage	70 Watt
Frequency	60 HZ
Temperature	115-155°F
Built-in Timer	1-9 Hours
Material	201 Stainless Steel
Mount Type	Wall Mounted
Heat Type	Electric
Electrical Connection	Hardwired; Plug-in

### IV. Package List

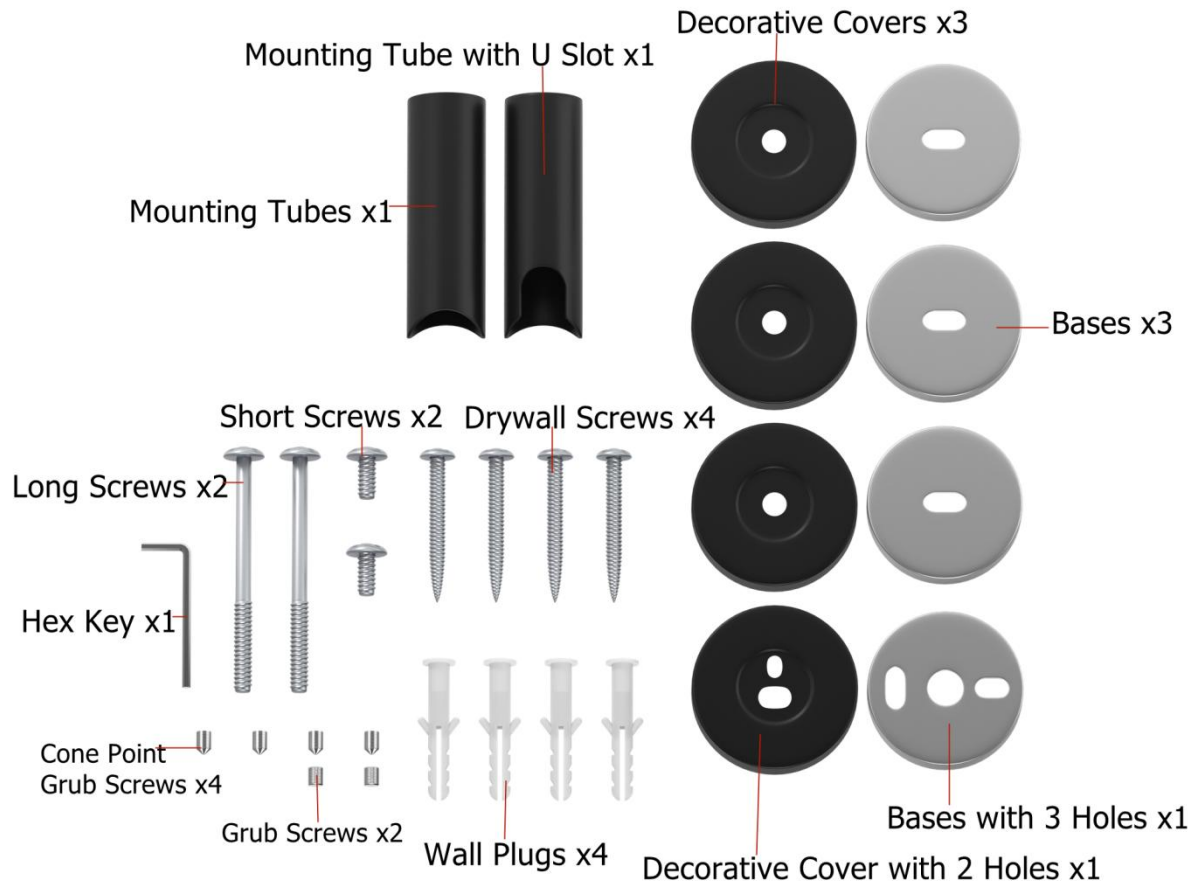
Serial number	Name	Quantity
1	Electric Towel Warmer	1
2	Top Shelf	1
3	Mounting Tubes	1
4	Mounting Tube with U Slot	1
5	Decorative Covers	3
6	Decorative Cover with 2 Holes	1
7	Bases	3
8	Bases with 3 Holes	1
9	Wall Plugs	4
10	Grub Screws	2
11	Cone Point Grub Screws	4
12	Hex Key	1
13	Long Screws	2
14	Short Screws	2
15	Drywall Screws	4

### V. Installation

**WARNING:** In order to avoid a hazard for very young children, this towel rack should be installed so that the lowest heated rail is at least 48 inch above the floor.

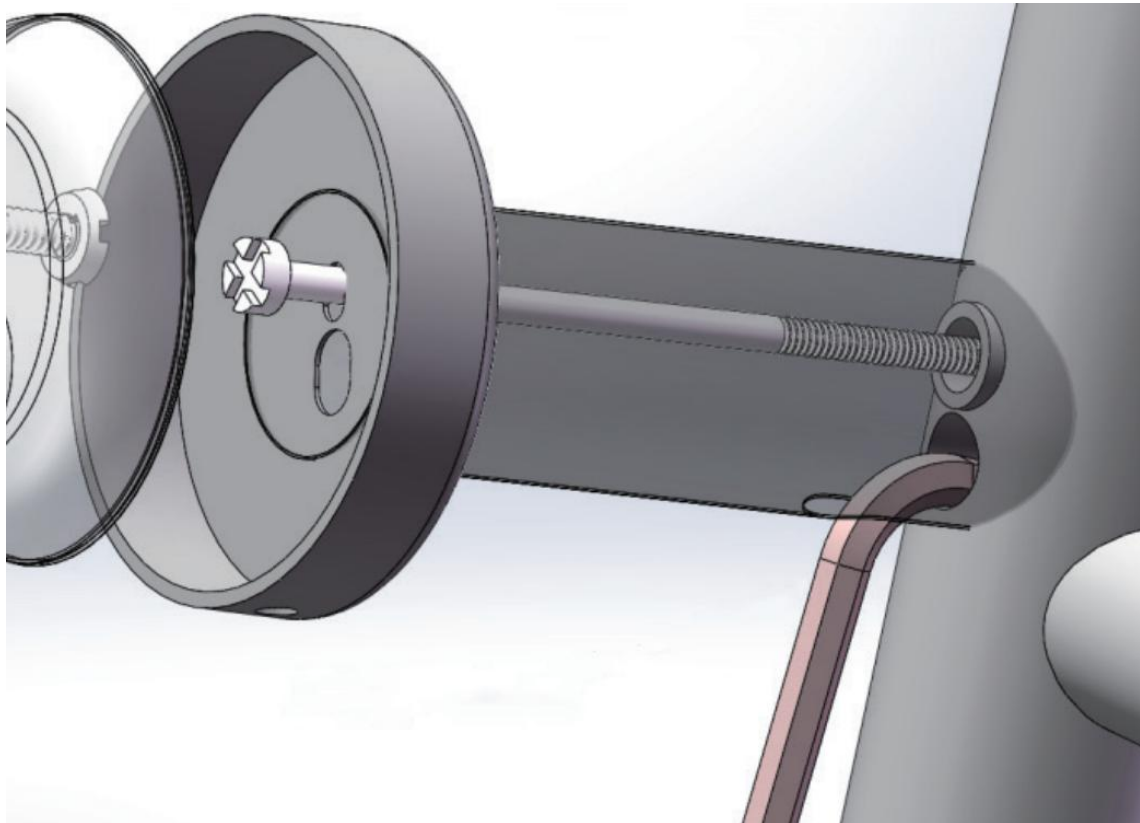
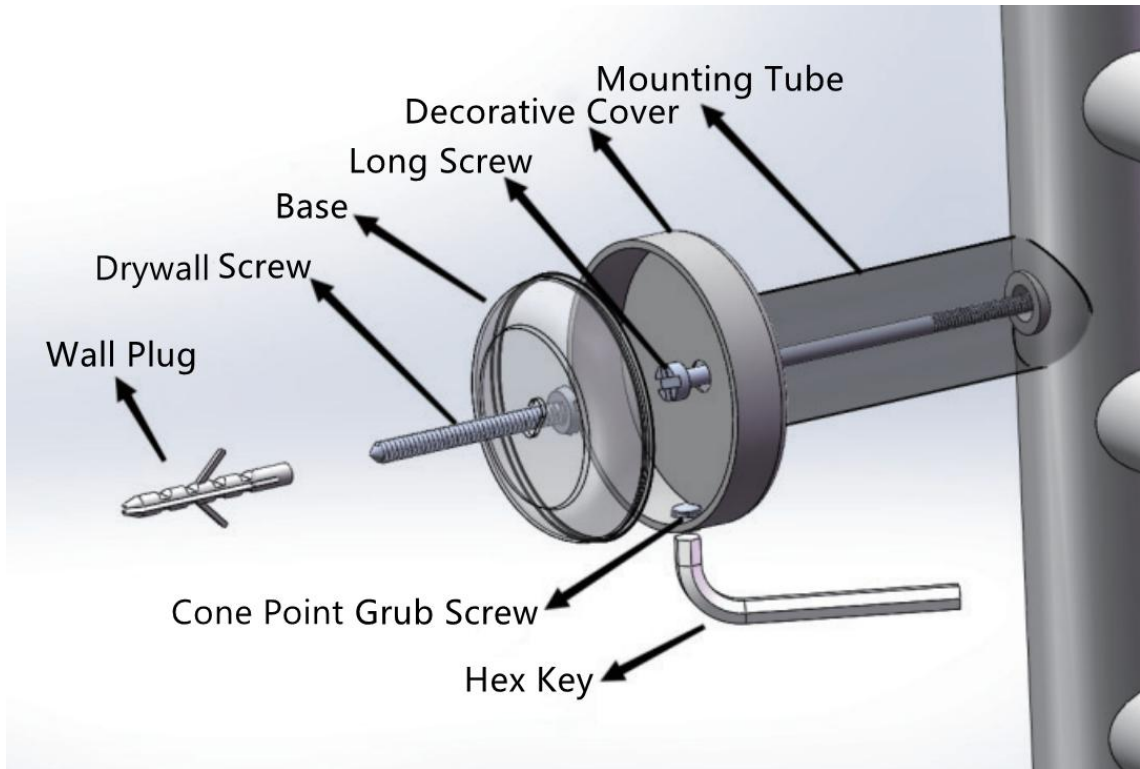
There are two ways that you can connect your electric towel warmer.

1. **Hardwired.** All the electrical wiring is completed inside the wall cavity and the arm of the towel rack. No cable will be visible in your bathroom.
2. **Plug in.** You simply plug in the towel rack to the nearest power point. If you have the opportunity to plan your bathroom accordingly only a very small length of cable will be visible. All the components to complete either method are included in the package.



## Plug In Connection:

1. Use the the hex key to tighten the two grub screws and fasten the top shelf to the towel rack.
2. Use the short screws to fasten the two decorative covers to the top shelf separately.
3. Use the long screw to fasten the last decorative covers and the mounting tubes to the towel rack.
4. Run the power cable through the mounting tube with U slot and make the mounting tube stop on the back of the towel rack.
5. Run the power cable through a bigger hole of the decorative cover of 2 holes, and use the another long screw to fasten the decorative cover and mounting tube with U slot to the towel rack.
6. Hold the towel rack against the wall. Make sure it is level vertically and horizontally. Mark a circle around each base.
7. Remove one of the bases and using it as a guide, mark where you will need to drill the holes through the middle of the base.
8. Drill the holes and insert the wall plugs.
9. Use the drywall screws to fix the bases into position.
10. Position the towel rack over the bases.
11. Use the hex key to tighten the cone point grub screws and fasten the bases to the towel rack.
12. Plug in the towel rack and enjoy the luxury of your life.

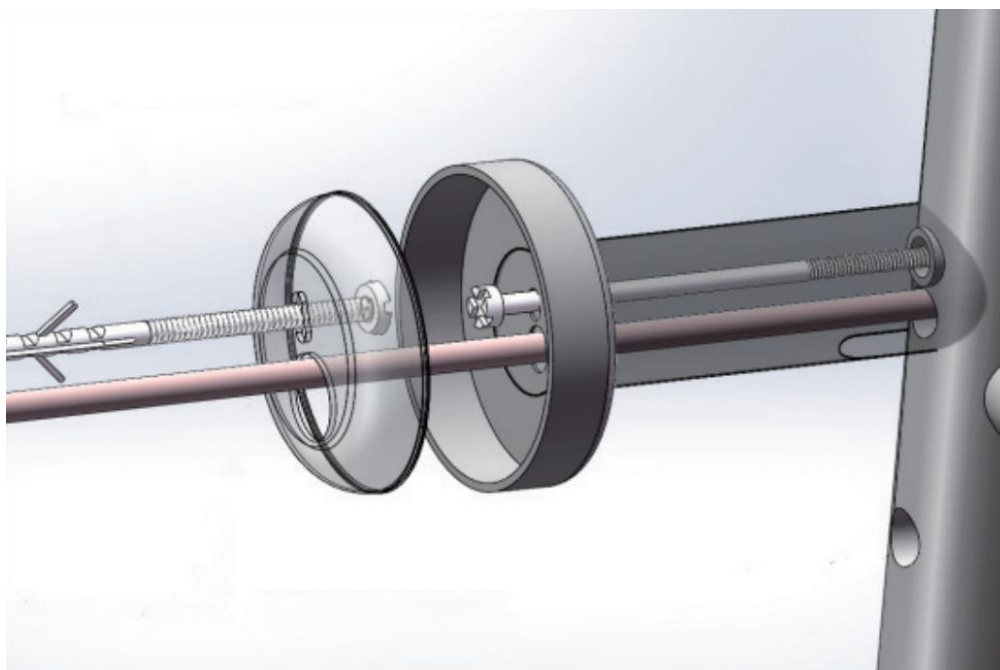


## Hardwired Connection:




This method of connection will allow you to completely conceal the cable for your towel rack.

**Electrician Recommended. Hardwired connection will require professional installation.**

1. Cut the plug off the end of the cable.
2. Run the power cable through the mounting tube with U slot and make the mounting tube stop on the back of the towel rack.
3. Run the power cable through a bigger hole of the decorative cover of 2 holes, and use the long screw to fasten the decorative cover and mounting tube with U slot to the towel rack.
4. Use the the hex key to tighten the two grub screws and fasten the top shelf to the towel rack.
5. Use the short screws to fasten the two decorative covers to the top shelf separately.
6. Use the long screw to fasten the last decorative covers and the mounting tubes to the towel rack.
7. Hold the towel rack against the wall. Make sure it is level vertically and horizontally. Mark a circle around each base.
8. Remove one of the bases and using it as a guide, mark where you will need to drill the holes through the middle of the base.
9. Drill the 4 holes and insert the 4 wall plugs.
10. Use the 3 drywall screws to fix the 3 bases with 1 hole into position.
11. Run a power cable through a bigger hole of the last base with 3 holes and use the drywall screw to fix this base into position.
12. Pull the wire stripper towards the cut end of the wire to remove the insulation, and strip the insulation of the power cord in the wall.
13. Connect wires with the same color together. (Brown: Live Wire; Blue: Neutral Wire; Green & Yellow: Earth Wire)
14. Wrap tightly with insulating tape and make sure copper wire to stay inside.
15. Put the whole power cable into the wall, and use the hex key to tighten the cone point screws.



## VI. Instructions:

1. Press the button , the screen will turn on. This shows the towel rack is heating.
2. Press the button , you can set the working time for 1 to 9 hours. If you press the button to make the screen shows "on". It will be working until you turn it off.
3. Press the button , you can adjust temperature -ranging from 115 °F to 155 °F.

## VII. Q&A

Questions	Answers	Solutions
Electric towel rack is not working	There may be something wrong with the power plugs.	Make sure the plug is connected properly.
Electric towel rack is not hot	Aging of heating wire or poor connection	Please contact us.
Electric towel rack can't be hardwired installation	Please watch our hardwired installation video.	Please ask your Electrician to install or contact us.

## VIII. After Sales Service

Your product is guaranteed for two years from the date of purchase. Within this period, we undertake to repair or exchange this product free of charge provided it has been installed and operated in accordance with these instructions. Should you require after sales service you should contact our customer services at [Paraheeter@outlook.com](mailto:Paraheeter@outlook.com). Please do not return a faulty product to us in the first instance as this may result in loss or damage and delay in providing you with a satisfactory service. Thanks!

Add: 2691 Richter Ave Suite123, Irvine CA 92606

Tel: 323 831 2020

Email: [Paraheeter@outlook.com](mailto:Paraheeter@outlook.com)

If the number you called is busy or not answered, please do not hesitate to contact us via email.

We will reply you back within 10 hours.