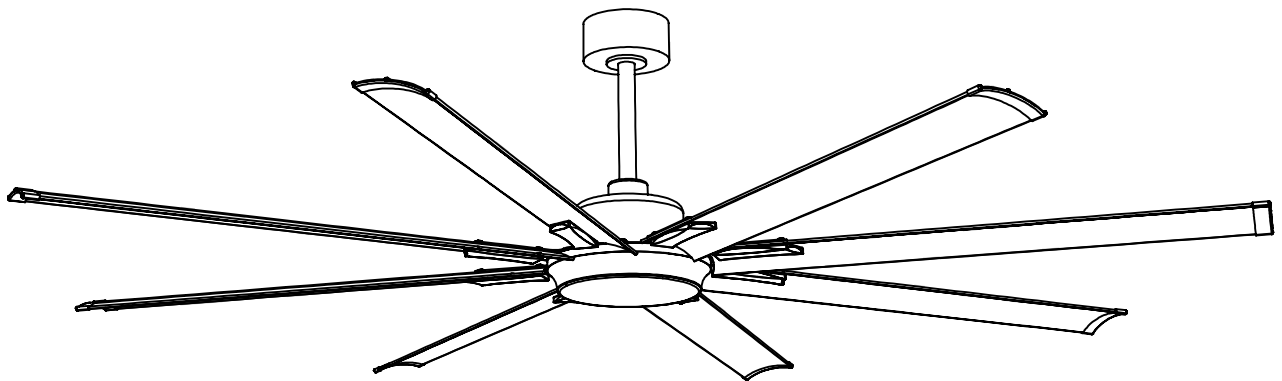


INSTALLATION & USER MANUAL

CEILING FAN WITH LIGHT



For FAQs and more information, please email to service@jazava.com, or please contact to +1(626)283-1518, 8:30 a.m.-5:00 p.m.,PST,Monday -Friday.



Please read and
save these instructions
before installation



0 4

Scan for Installation Guide



0 4

Scan for Alexa Setup

**NOTE: THIS FAN MUST BE INSTALLED BY A LICENSED AND QUALIFIED
ELECTRICIAN IN ACCORDANCE WITH LOCAL AUTHORITY REGULATIONS**



Table of Contents

Table Of Contents.....	1	Exploded View.....	4
Safety Information.....	1	Installation Instructions.....	5-13
Preparation.....	2	Controller Description.....	14
Dimension Reference.....	3	Troubleshooting Guide.....	15
Hardware Included.....	3	Balancing Kit.....	16
Fan Parts Included.....	3	Maintenance Instructions.....	17

Safety Information

READ AND SAVE THESE INSTRUCTIONS.

1. To reduce the risk of electric shock, ensure electricity has been turned off at the circuit breaker or fuse box before you begin.
2. All wiring must be in accordance with the National Electrical Code “ANSI/NFPA 70” and local electrical codes. Electrical installation should be performed by a qualified licensed electrician.
3. The outlet box and support structure must be securely mounted and capable of reliably supporting a minimum of 35 lbs (15.9 kg). Use only UL Listed outlet boxes marked “Acceptable for Fan Support of 35 lbs. (15.9 kg) or less.”
4. Do not place objects in the path of the blades.
5. To clean the fixture, turn off the power, wait for it to cool, and wipe it with a clean, soft cloth.
6. After making electrical connections, spliced conductors should be turned upward and carefully pushed up into the outlet box. The wires should be spread apart with the grounded conductor and the equipment grounding conductor on one side of the outlet box and ungrounded conductor on the other side of the outlet box.
7. All set screws must be checked and tightened where necessary before installation.



WARNING: To reduce the risk of electrical shock or fire, do not use this fan with any solid-state fan speed control device. It will permanently damage the electronic circuitry.



WARNING: To reduce the risk of personal injury, do not bend the blade brackets when installing the brackets balancing the blades, or cleaning the fan.



WARNING: To reduce the risk of fire, electric shock or personal injury, mount to outlet box marked “acceptable for fan support of 35 lbs. (15.9 Kg) or less” and use screws provided with the outlet box.



WARNING: To avoid possible electrical shock, turn the electricity off at the main fuse box before wiring.



WARNING: To reduce the risk of electrical shock, this must be installed with an isolating wall control / switch.



CAUTION: To reduce the risk of personal injury, use only the screws provided with the outlet box.



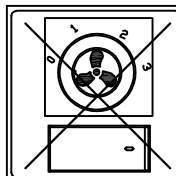
CAUTION: Please use caution when working around or cleaning the fan to avoid injury or damage to the fan.



CAUTION: The fan must be mounted with a minimum of 7 ft (2.1 m) clearance from the trailing edge of the blades to the floor.



CAUTION: Changes or modifications not expressly approved by the party responsible for compliance could void the user's authority to operate the equipment.



CAUTION: It is recommended that when installing a fan light, there is already a regulator at home, and the controller cannot be connected together.

Preparation

Before beginning the assembly of this product, ensure all parts are present. Compare all parts with the package contents list and hardware contents list. If any part is missing or damaged, do not attempt to assemble the product.

Estimated assembly time: 2 hours

Tools required (not included): Phillips Screwdriver, Wire Strippers, Wrench, Step Ladder, Electrical tape, and Impact drill.

1. Turn off power to the fan at the breaker box and the wall switch (Figure 1.1). **DANGER:** Failure to disconnect the power supply prior to installation may result in serious injury or death.

2. Choose one of the following mounting options (Figure 1.2):

Standard Mount - best suited for ceilings 8 feet or higher. For very high ceilings, use a longer downrod (not included).

Angle Mount - best suited for angled or vaulted ceilings. A longer downrod is sometimes necessary to ensure proper blade clearance.

Ensure the ceiling angle is not steeper than **15 degrees**.

Flush Mount Installation - not available for this model.

Close Mount Installation - best suited for ceilings 8 feet or lower.

3. Choose a suitable location - Ensure the blades will be at least 30 inches from any obstructions. Also check the downrod length to ensure the blades will be at least 7 feet above the floor (Figure 1.3).

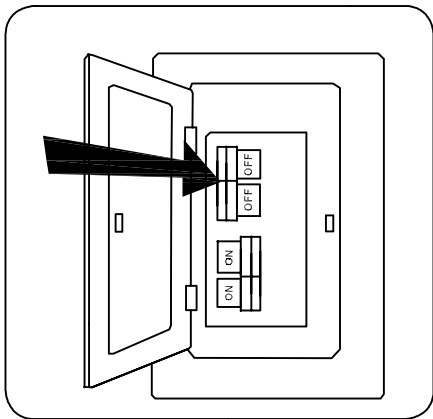


Figure 1.1

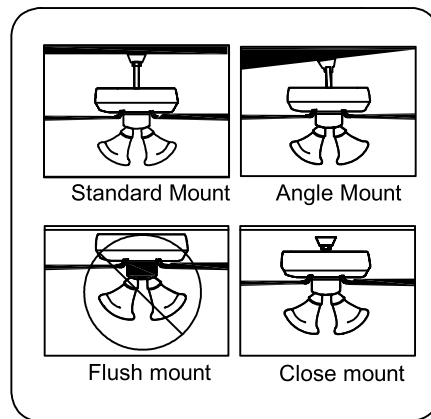


Figure 1.2

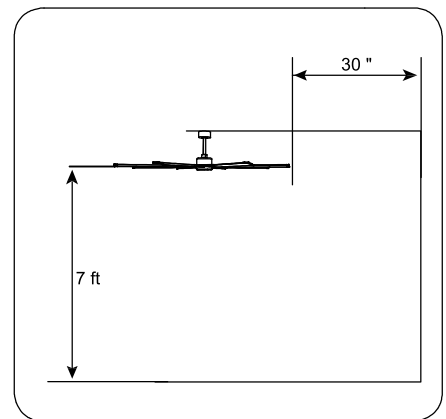
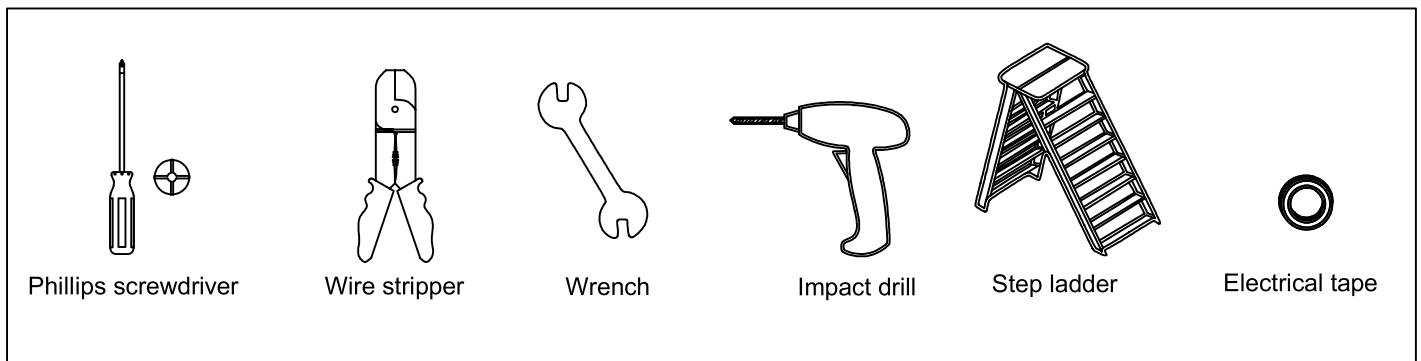


Figure 1.3

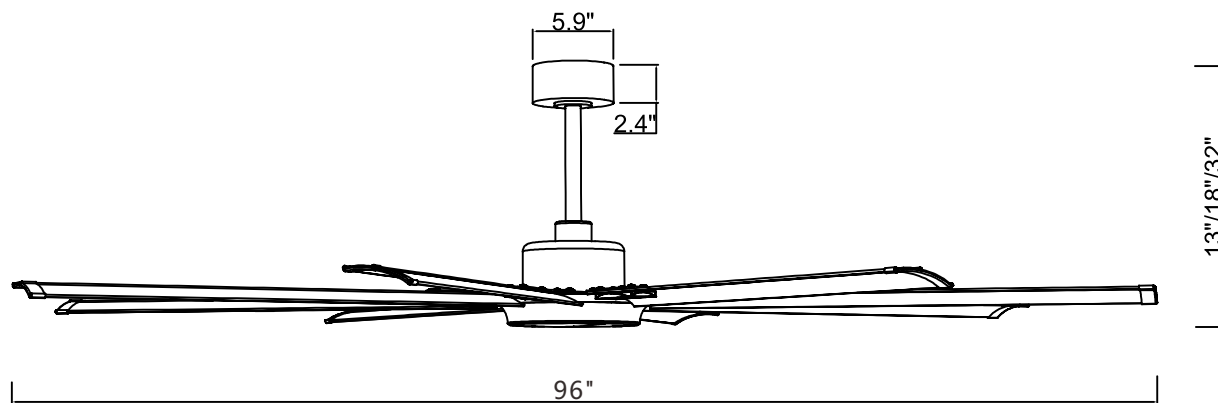
Tools required for ceiling fan installation





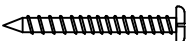

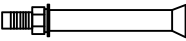




NOTE: THIS FAN MUST BE INSTALLED BY A LICENSED AND QUALIFIED ELECTRICIAN IN ACCORDANCE WITH LOCAL AUTHORITY REGULATIONS






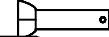


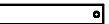


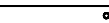

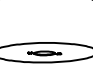
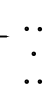

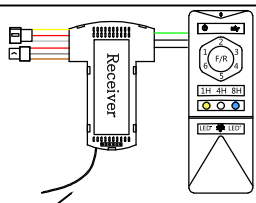
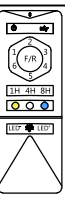



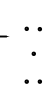



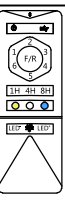
Dimension Reference



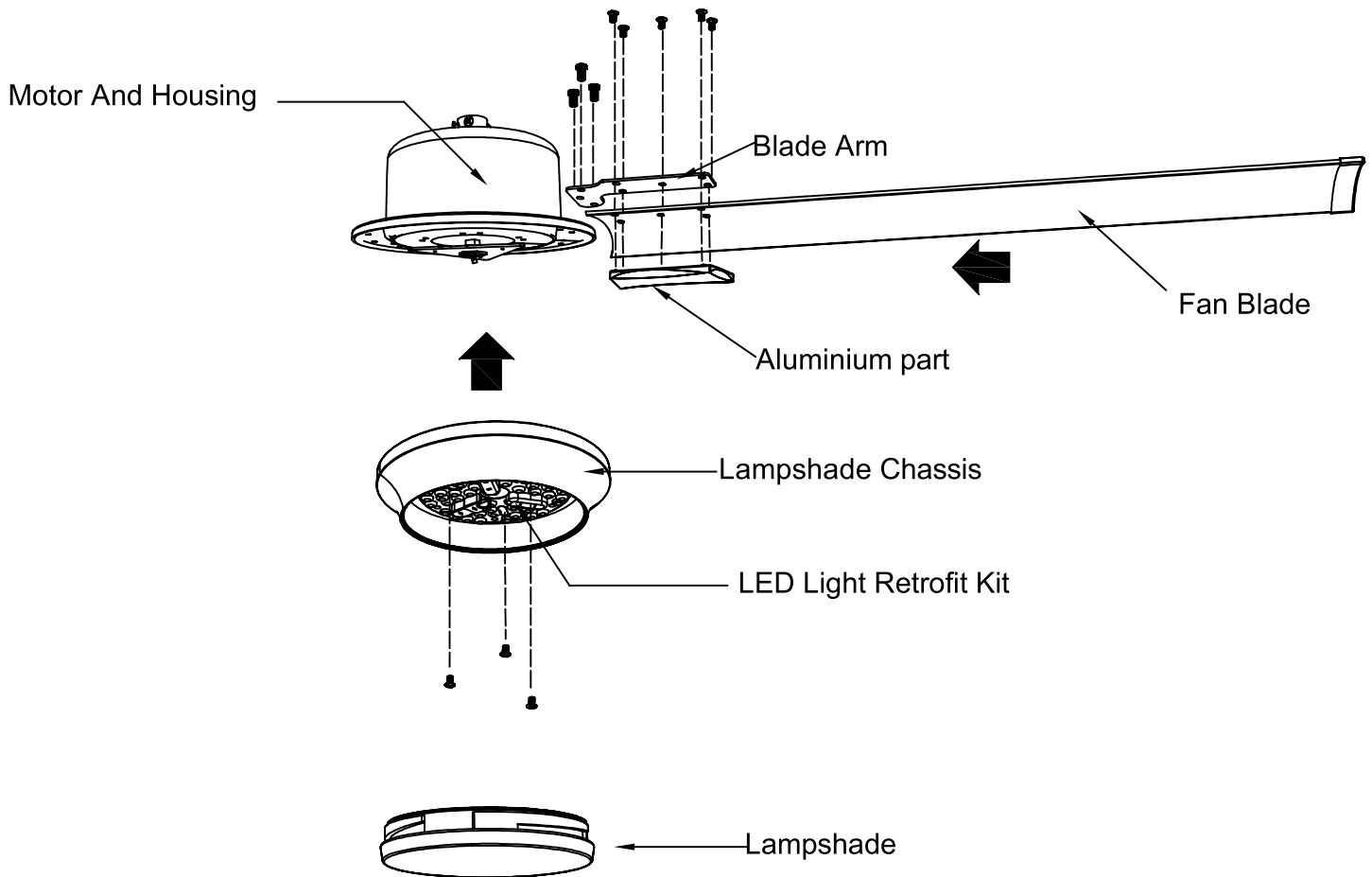
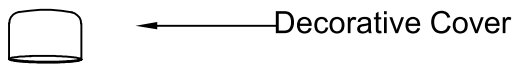
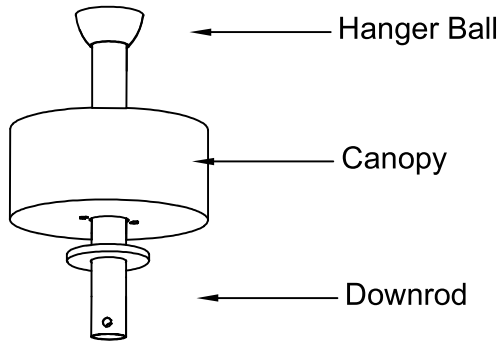
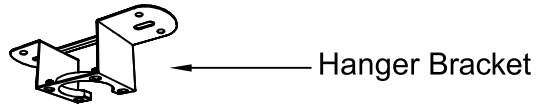
Hardware Included

				Hardware Package	Quantity
	S1		S5	S1. Red Wiring Cap	5
	S2		S6	S2. Wood Screw (2")	4
	S3		S7	S3. Expansion Screw (2")	2
	S4		S8	S4. Sponge Pad	2
			S9	S5. Balanced Patch	1
				S6. Balance Clamp	1
				S7. 1/4*L12mm (Blade Screws)	25
				S8. M5*L7mm (Arm Screws)	41
				S9. ø12*ø5*0.8mm(Screws Gasket)	41

Fan Parts Included

			Name	Quantity
			1. Hanger Bracket	1
			2. 5 Inch Downrod	1
			3. 10 Inch Downrod	1
			4. 24 Inch Downrod	1
			5. Canopy	1
			6. Decorative Cover	1
			7. Motor And Housing	1
			8. Blade Arms	8
			9. Aluminium Part	8
			10. Fan Blades	8
			11. Lampshade Chassis	1
			12. LED Light Retrofit Kit	1
			13. Lampshade	1
			14. Remote Control (Batteries Not Included)	1

Exploded View



Installation Instructions

Step 1: INSTALL THE DOWNROD, CANOPY, AND DECORATIVE COVER

- Take out the motor assembly and then pull out the clevis pin and cotter pin. Loosen the three downrod set screws in the collar on top of the motor housing. (Figure 1.1)
- Thread the electric wires and safety cable through the downrod, and insert the downrod into the collar on top of the motor housing. Install the clevis pin by aligning the hole in the downrod with the hole in the top collar, being careful not to damage or cut the fan wires, and secure it with the cotter pin through the hole at the end of the clevis pin. Tighten the three downrod set screws in the top collar. (Figure 1.2)

Note: Due to the large size of the wire terminals, when installing the downrod, please remove the hanger ball to pass all wires through the downrod. Please refer to page 6 for installation methods.

- Place all electrical wires and the safety cable through the decorative cover and canopy. (Figure 1.3)
- Attach the hanger ball to the downrod with the wires running through it. Position the pin through the two holes of the downrod and align the hanger ball so that the pin is caught in the groove at the top of the hanger ball. Pull the hanger ball tightly onto the pin. Securely tighten the hanger ball screws inside the hanger ball. A loose hanger ball screw may cause the fan to wobble. (Figure 1.4)

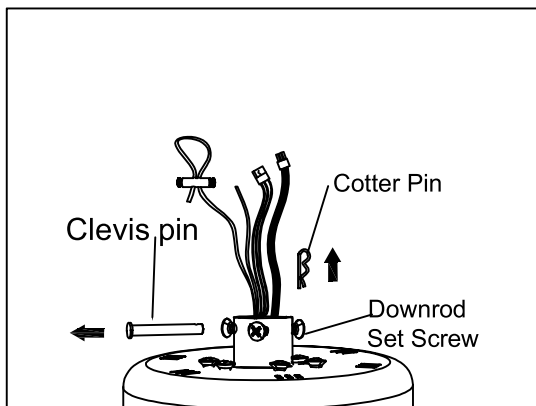


Figure 1.1

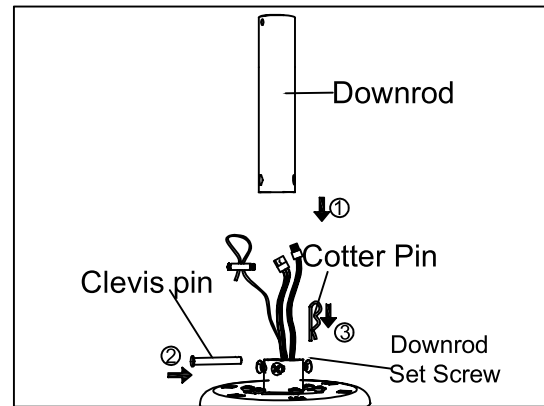


Figure 1.2

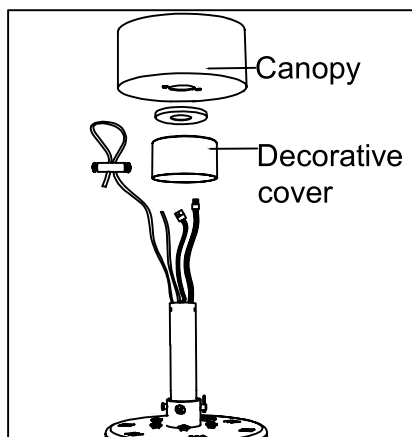


Figure 1.3

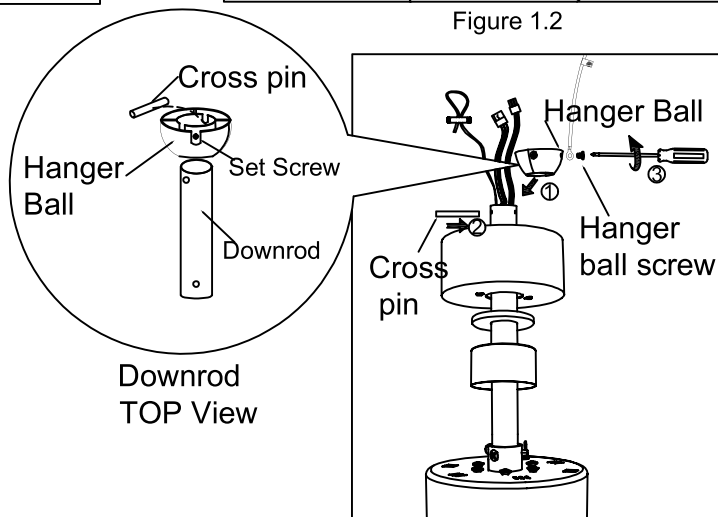


Figure 1.4

CAUTION: To ensure wobble-free operation and to avoid damage to the fan, the downrod and the set screws must be completely tightened.

NOTE: THIS FAN MUST BE INSTALLED BY A LICENSED AND QUALIFIED ELECTRICIAN IN ACCORDANCE WITH LOCAL AUTHORITY REGULATIONS



Installation Instructions

Extension rod replacement installation method:

- In order to better experience the ceiling fan lighting effect and prevent the danger of contact, choose the extension rod according to the height of the house.

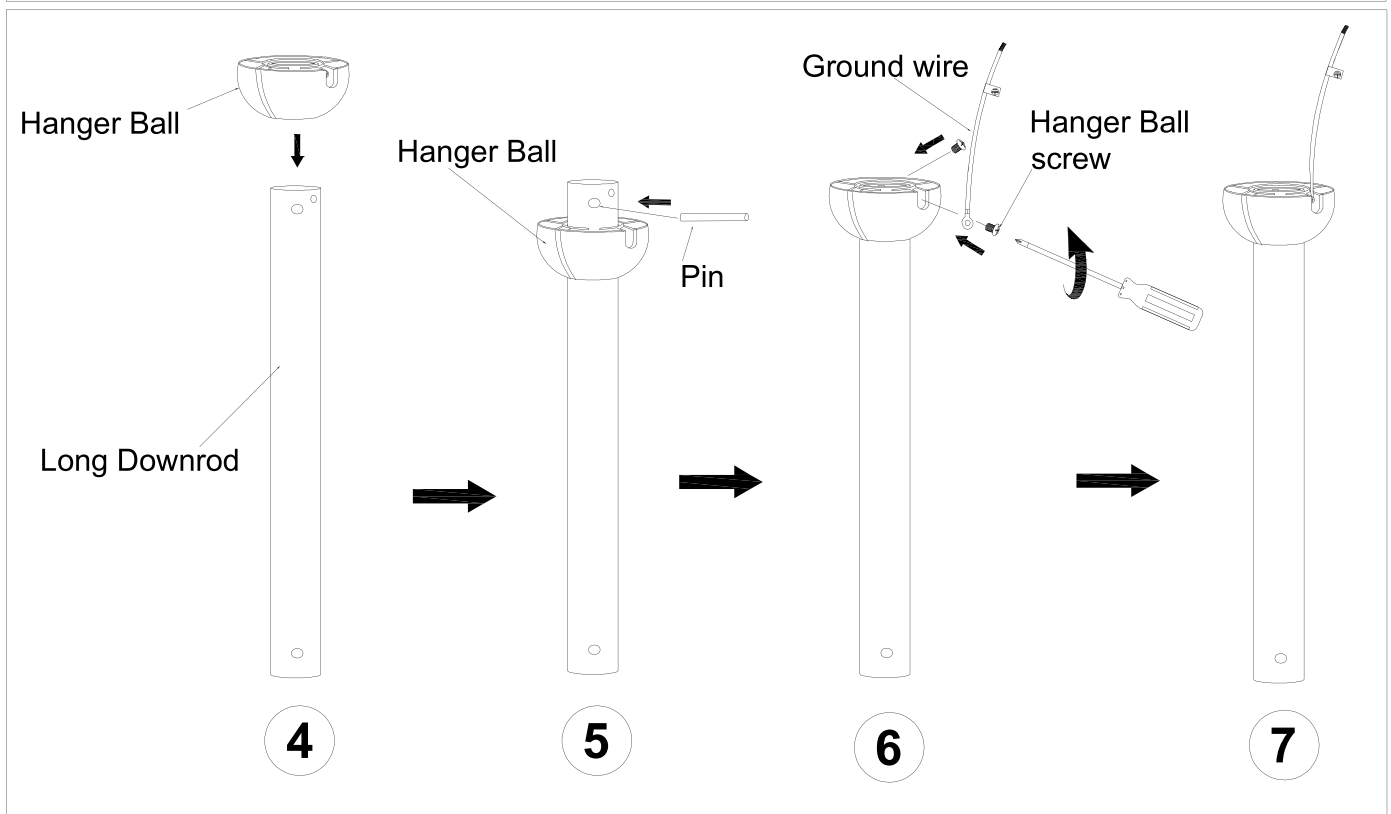
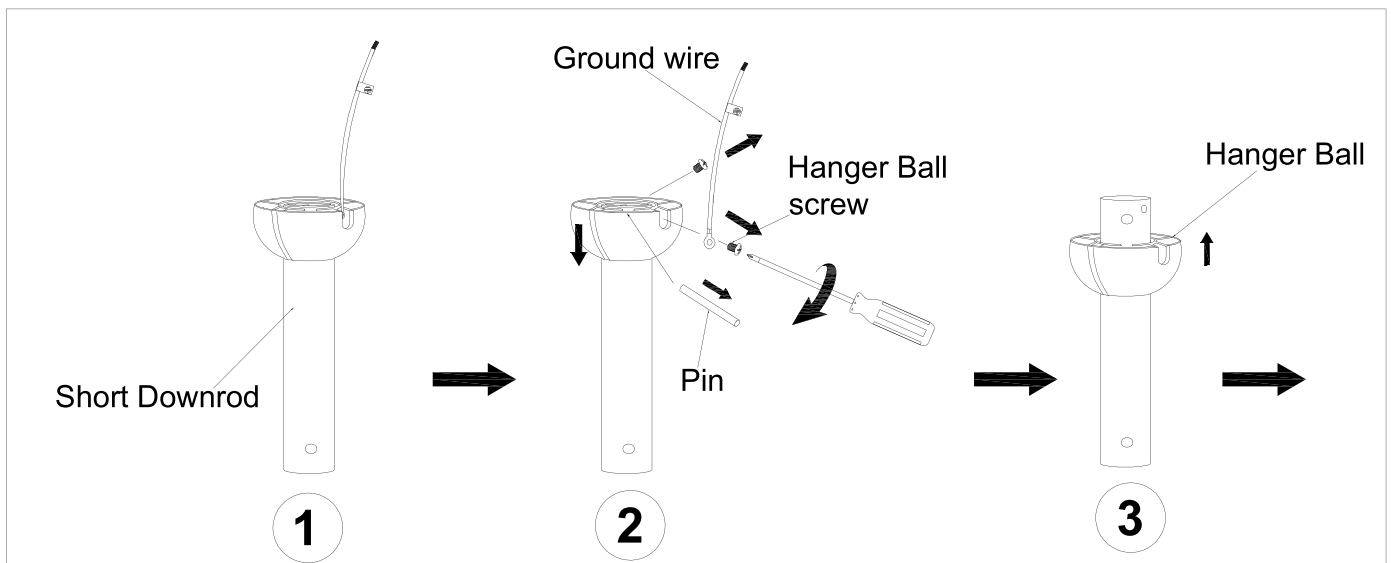


WARNING



FAN FALL HAZARD
To prevent **SERIOUS INJURY** or **DEATH**:

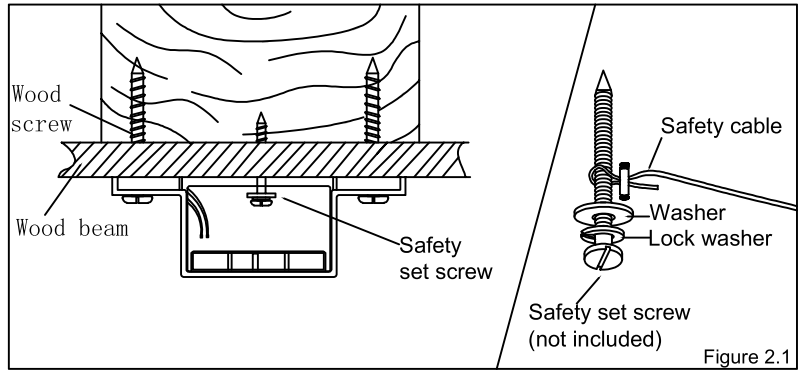
- ALWAYS follow the downrod assembly instructions exactly.
- VERIFY the downrod is assembled correctly by firmly pulling on the hanger ball.
- Pin must be reinserted secure downrod assembly.



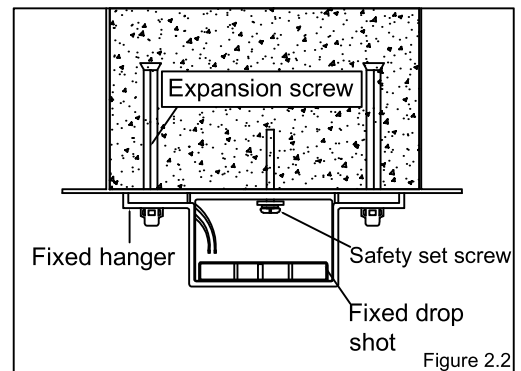
Installation Instructions

Step 2: INSTALL THE BRACKET

For wooden ceilings: Drill a pilot hole in the ceiling with a power drill, then secure the support with wood screws, install the safety screws, washers, and Lock washer on the side of the wooden beam (Note: 50% of the safety screws are fastened first, and space is reserved for installing the safety cables). If your fan is installed with a metal outlet box, install safety screws in the outlet box holes. (Figure 2.1)

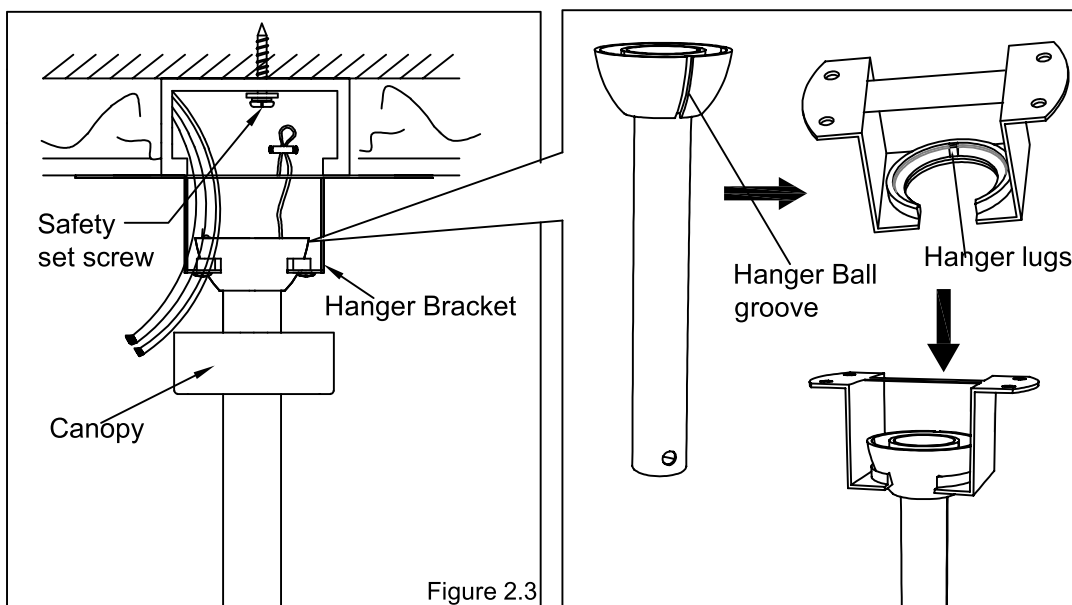


- For concrete ceiling: Drill two holes in the ceiling and secure the mounting bracket to the ceiling with two 0.32"(8mm) expansion screws, flat washers, and nuts provided, and tighten with a spanner. Secure the safety screw, washer, and Lock washer to the ceiling (Note: 50% of the safety screws are fastened first, and space is reserved for installing the safety cables). (Figure 2.2)



Hang the ball joint and fan on the hanger and gently rotate the rod. Make sure the hanger lugs are installed in the ball groove. (Figure 2.3)

IMPORTANT: If using the angle mount method, ensure that the ceiling angle is not steeper than 15°.



NOTE: THIS FAN MUST BE INSTALLED BY A LICENSED AND QUALIFIED ELECTRICIAN IN ACCORDANCE WITH LOCAL AUTHORITY REGULATIONS

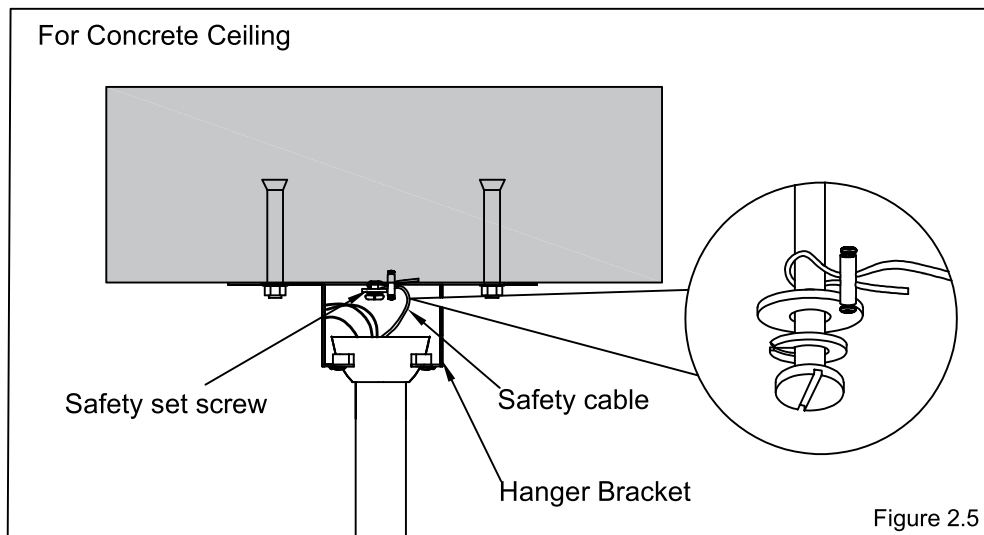
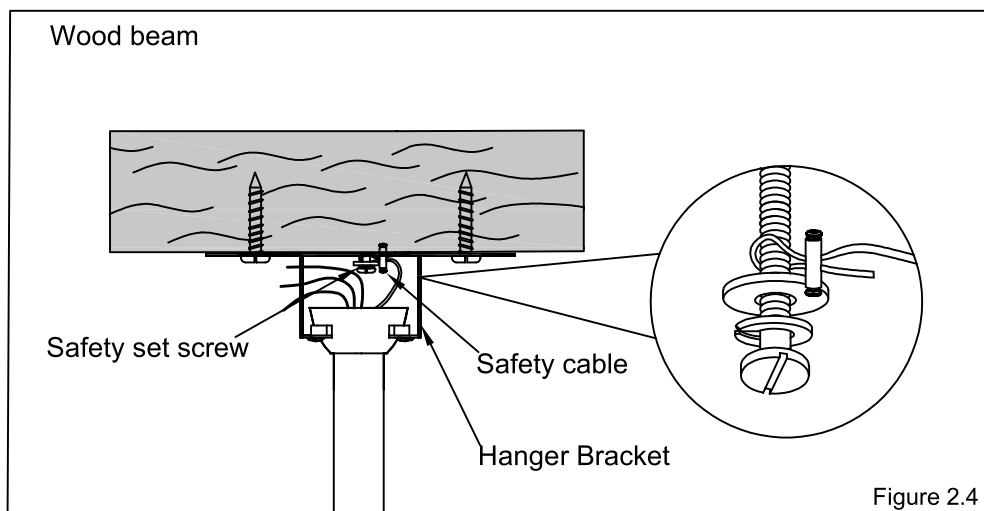


Installation Instructions

SECURE UPPER SAFETY CABLE

- Hang the safety cable from the wood beam side/concrete ceiling safety set screw. Loosen the screw at one end of the lock head, tighten the wire rope, tighten the screw, and finally tighten the safety screw to fix the safety cable.

- Acceptable building structures include wooden beams or metal mounting braces secured between two beams. In some cases, it may be necessary to install additional structural material to provide attachment points.



NOTE: THIS FAN MUST BE INSTALLED BY A LICENSED AND QUALIFIED ELECTRICIAN IN ACCORDANCE WITH LOCAL AUTHORITY REGULATIONS



Installation Instructions

Warning: The fan must have all the blades installed to work properly. If no fan blades are installed, the motor and controller will enter a self-protection state, and the fan blades will return to normal after being reinstalled.

In order to take care your ceiling fans, you must know that when pressing the speed key, it takes 30 seconds to 1 minute for the wind speed to reach its optimal value. The motor has a self-protective mechanism to achieve its long-term effective operation.

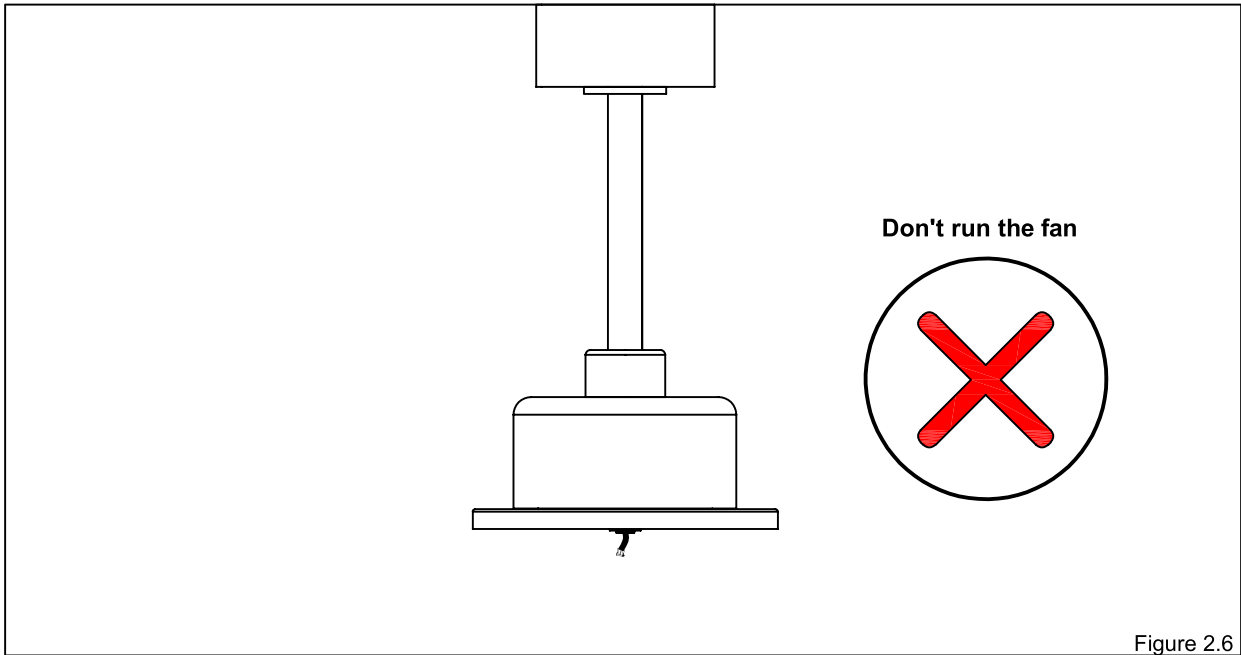


Figure 2.6

Start after assembly is complete

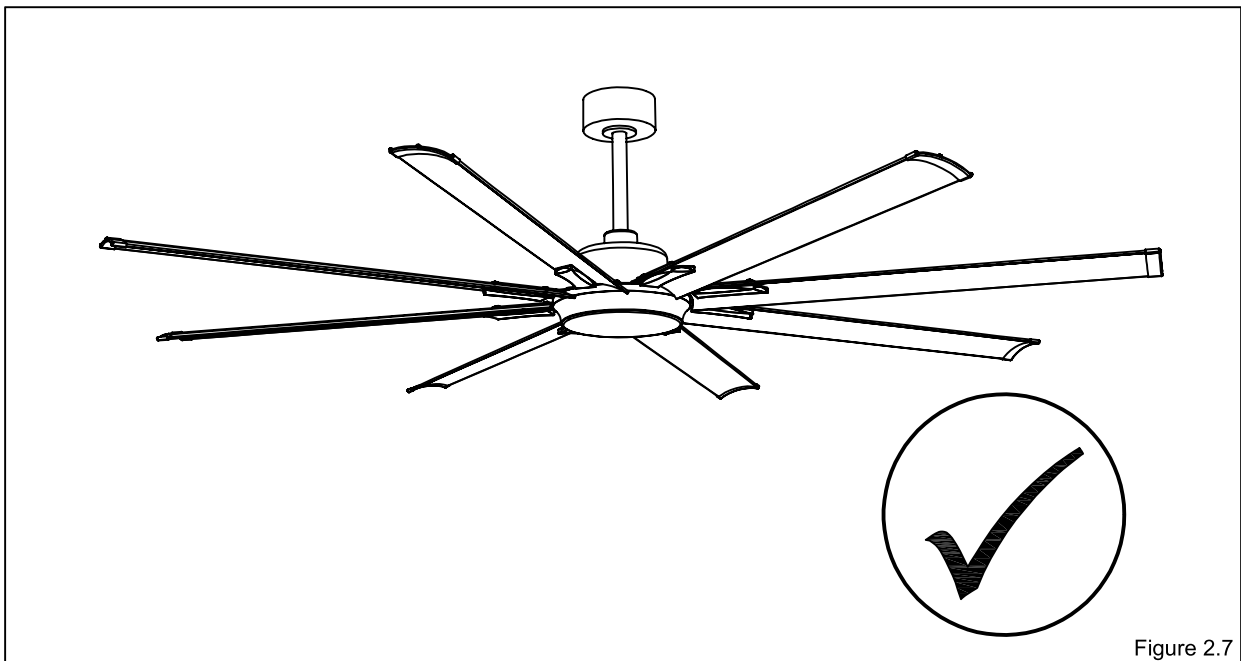


Figure 2.7

Installation Instructions

Step3: ELECTRICAL CONNECTION

- Make the following wire connections to the receiver using the wire nuts supplied. Connect the Green wires from the fan to the supply Ground wire.
- Connect the Black wire from the receiver to the supply Live wire, connect the White wire from the receiver to the supply Neutral wire.
- Connect the Light wire connection (3-wire terminal) to the corresponding terminal on the receiver, connect the Motor wire connection (3-wire terminal) to the corresponding terminal on the receiver.

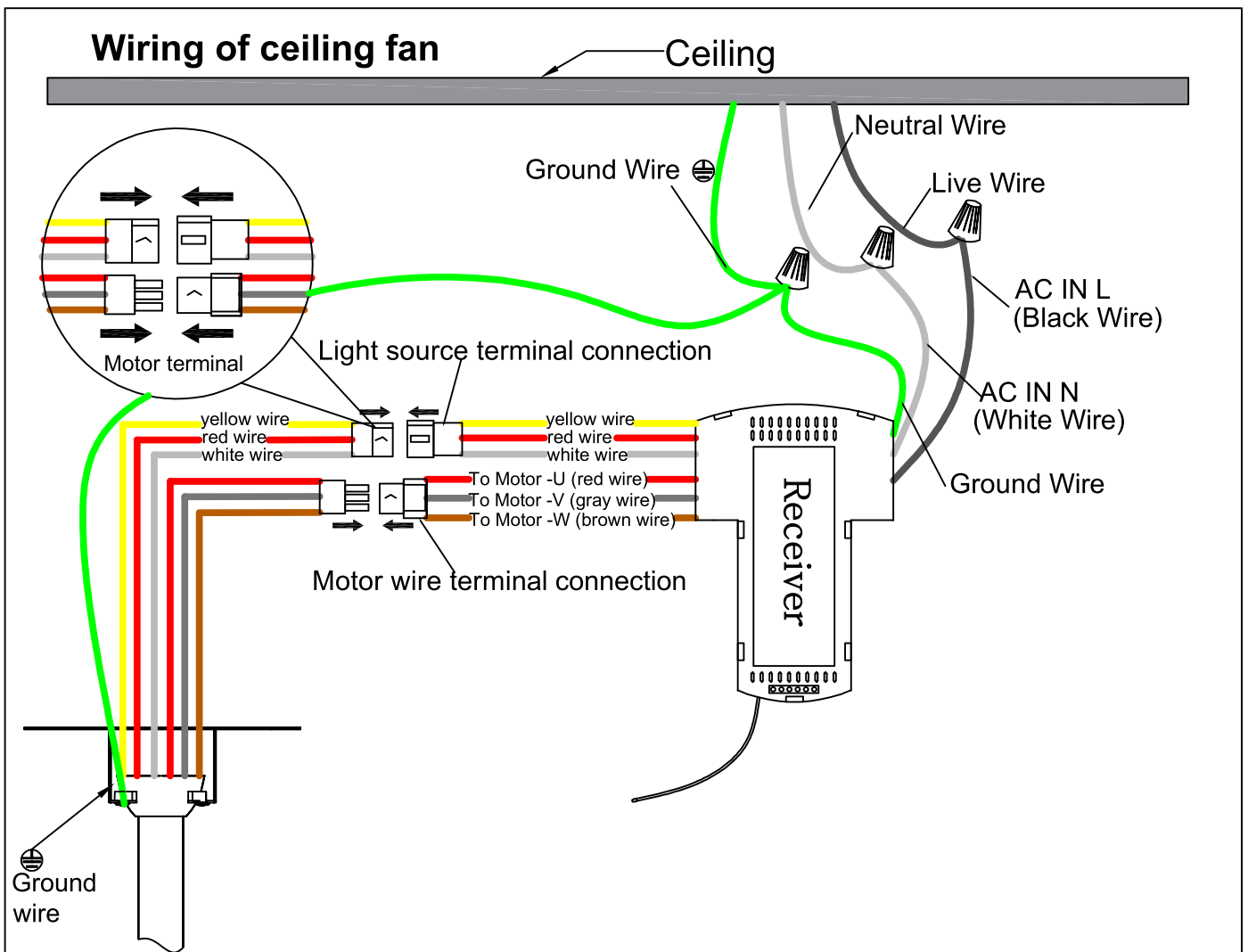


Figure 3

NOTE: Once ground wires are connected, carefully tuck all wires and receiver into the metal box making sure that the wires are clear of the hemisphere and downrod when positioned in hemisphere and downrod when positioned in mounting bracket.

Installation Instructions

Step4: HOW TO INSTALL YOUR CANOPY HOUSING

Push all connected wires up into ceiling box.

- Position the receiver into the mounting bracket as shown direction. When installing the canopy, ensure the antenna is not pressed against by the canopy. Ensure to connect all ground wires accordingly. (Figure 4.1)
- Rotate the canopy upwards towards the screws on the hanger and tighten the screws. (Figure 4.2)

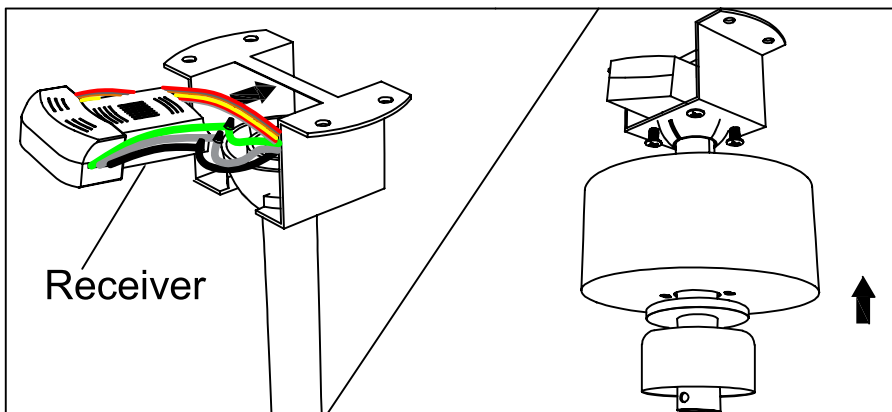


Figure 4.1

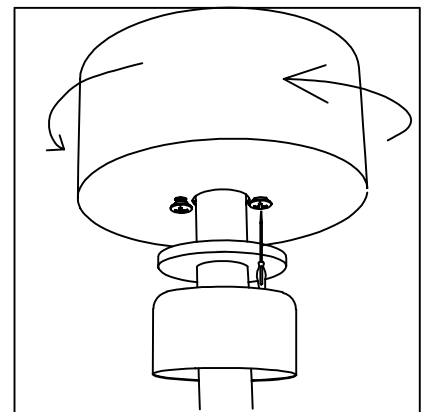


Figure 4.2

WARNING: Failure to seat tab in groove could cause damage to electrical wires and possible shock or fire hazard.

NOTE: THIS FAN MUST BE INSTALLED BY A LICENSED AND QUALIFIED ELECTRICIAN IN ACCORDANCE WITH LOCAL AUTHORITY REGULATIONS



Installation Instructions

Step5: MOUNTING BLADES TO MOTOR

- Install the blade arm and the aluminium part on the fan blade. (Figure 5.1)

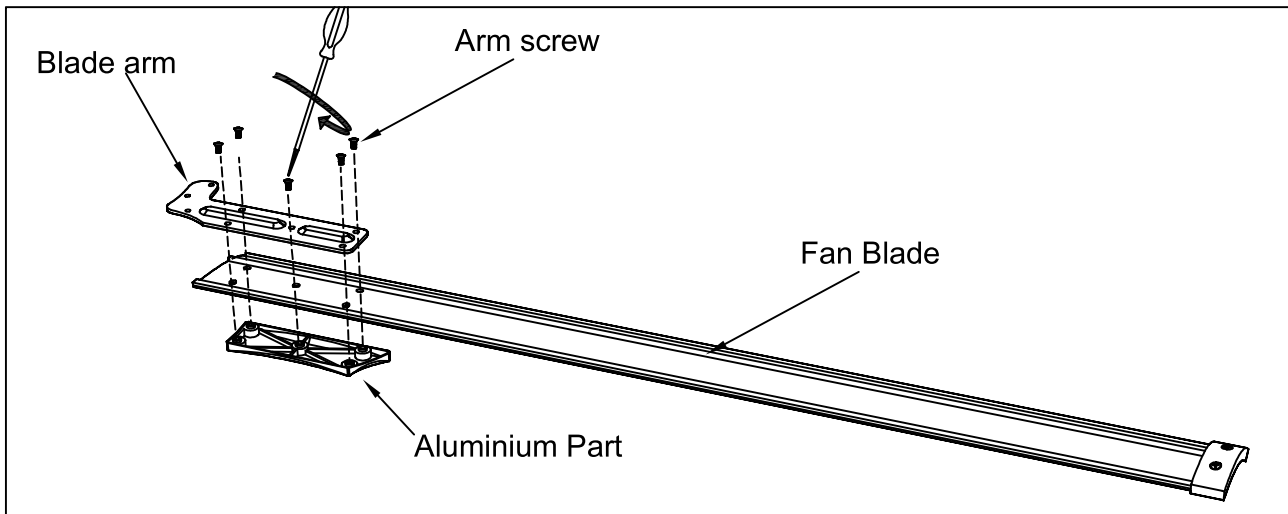


Figure 5.1

- Put the blade arm end of the fan into the motor blade frame hole and fix it on the motor with the provided screws (note: the first screw cannot be tightened, tighten the second and third screws, and finally tighten the first screw). Repeat the above steps to install the remaining 7 fan blades to the motor. After installing the fan blade, gently shake the fan blade to ensure that it is securely installed. (Figure 5.2)

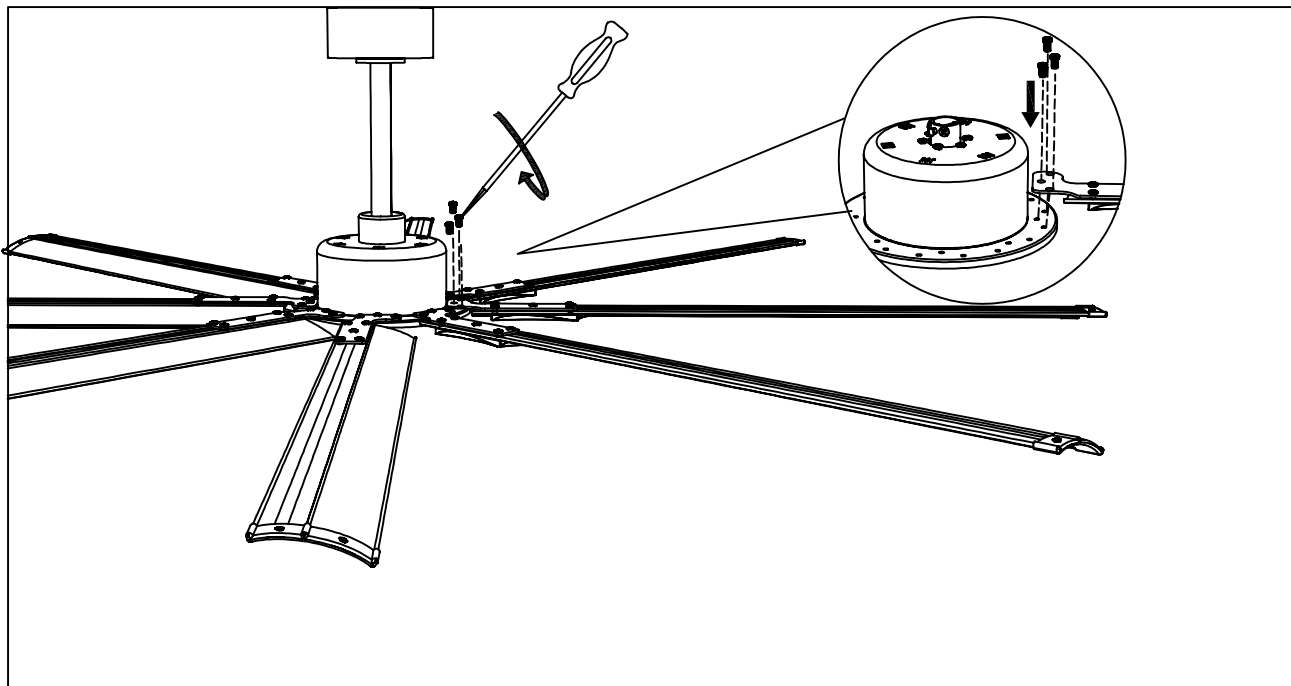


Figure 5.2

Installation Instructions

Step 6: LIGHT KIT

WARNING: BE SURE TO TURN OFF POWER BEFORE INSTALLING

- Remove three light kit assembly screws (B) from the bottom triangle plate (A) of the motor, Connect the terminals under the motor to the LED board (C). Align the lampshade base (D) with the triangle (A) hole, and reinstall the screw (B) that was previously removed. Make sure all screws (B) are tightened.(Figure 6.1).

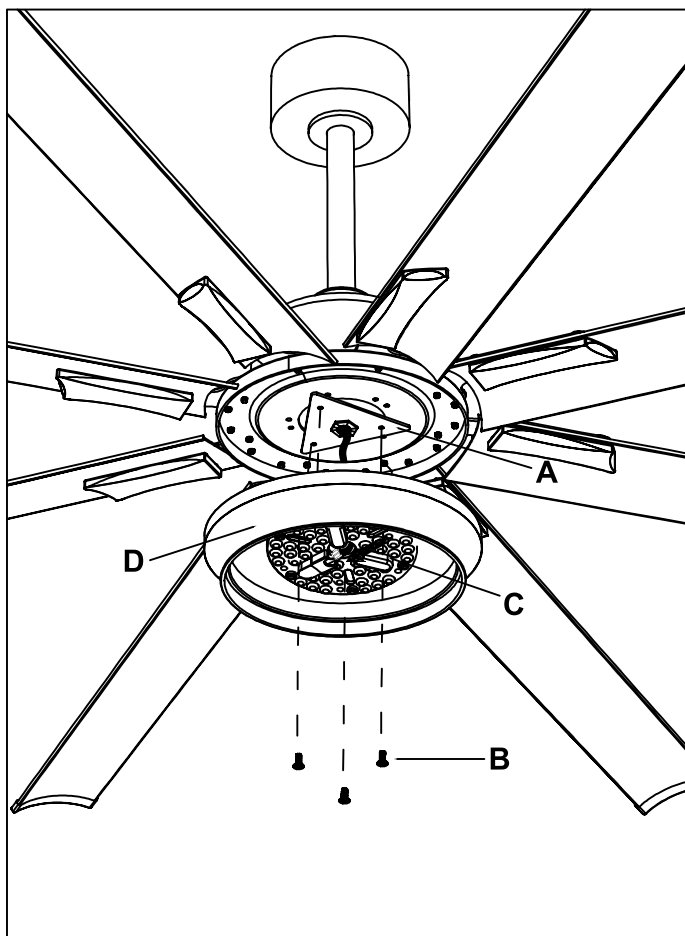


Figure 6.1

- Finally install the lampshade inside the lampshade chassis by rotating clockwise to complete the installation.(Figure 6.2)

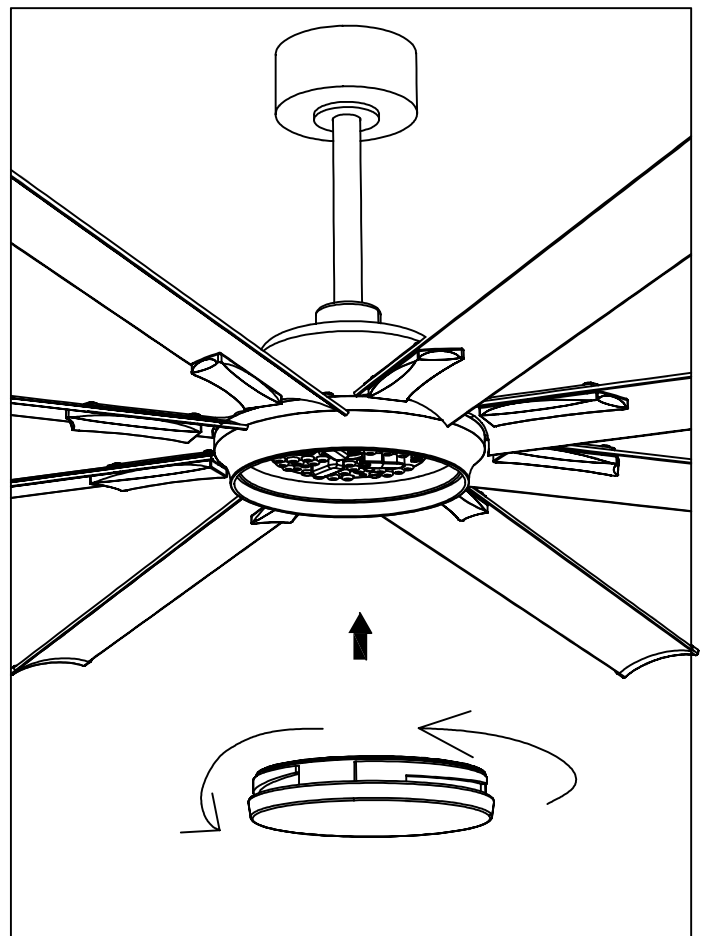


Figure 6.2

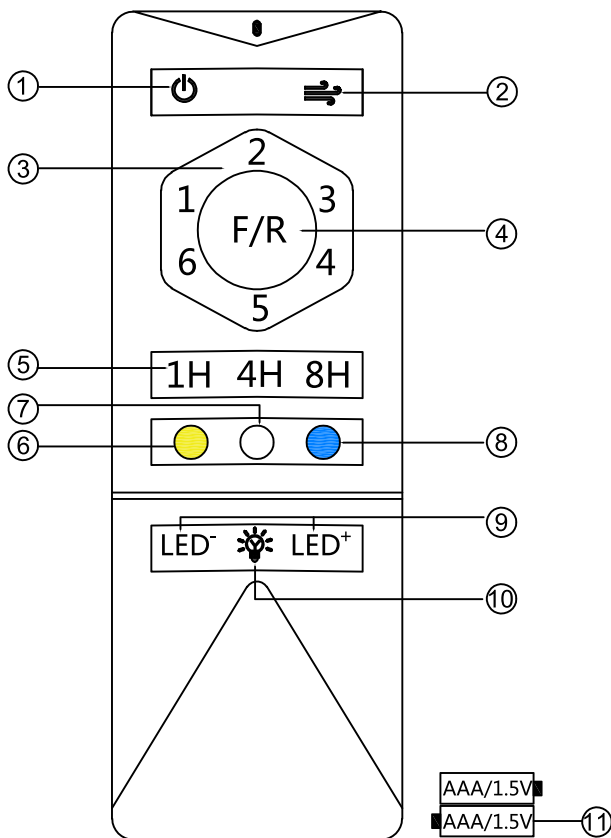
WARNING: Check all connections, set screws and screws are securely tightened before the next step.

NOTE: THIS FAN MUST BE INSTALLED BY A LICENSED AND QUALIFIED ELECTRICIAN IN ACCORDANCE WITH LOCAL AUTHORITY REGULATIONS



Controller Description

FUNCTION INSTRUCTION OF EMITTER



1. Fan off button (It's just a fan shutdown key)
 2. Natural Wind + Smart Life app Matching
 3. Speed control button: 1 ~ 6 as follows:
(Note: Due to the large power starting current of the fan, the air volume is relatively large when the fan is just started, it takes about 30 seconds to adjust according to the gear, and it takes about 15 seconds to adjust from the highest to the lowest gear).
1> = minimum speed
2> = low speed
3> = medium low speed
4> = medium high speed
5> = medium high speed
6> = high speed
 4. Forward/Reverse switch
 5. Timer (1H - 4H - 8H)
 6. 3000K Warm White light (Soft White)
 7. 4000K Neutral Light (Light Whiter)
 8. 5000K Daylight (Cool White)
 9. Adjust light brightness: Dim - or Brighten +
 10. Light on/off button
 11. Battery For Switch AAA (1.5V)*2pcs
- Note: Factory shipment without battery
Natural Wind key, start the fan (pressed 1 ~ 6), and then select it

Helpful Reminder:

1. "If the remote control cannot operate the fan, please use the learning code matching mode between the remote and the receiver.

First, turn off the power supply for about one minute (until the fan light is in a stationary state).

Second, turn on the fan's power supply, and you will hear a 'beep' sound within 5 seconds.

Then, long press the 'Power Off' button on the remote control, and observe the indicator light stay on continuously and hear a brief 'beep' sound. This indicates that the pairing is successful and you can operate it normally (Note: The learning mode is not available after the power supply has been on for more than 20 seconds)."

When the emitter cannot control the receiver, **please follow these steps** :

Check the Battery: Ensure the battery is properly connected.

Verify the correct orientation of the positive and negative terminals.

Check if the battery is fully charged or needs replacement.

Interference Check: Ensure there are no similar remote-controlled products nearby, as devices with the same frequency might interfere with each other.

Battery Voltage: Low battery voltage can affect the emitter's sensitivity and signal reception. If the battery is low (indicated by a flashing light), replace it immediately.

Battery Removal: If the emitter will not be used for an extended period, remove the battery to prevent damage.

Fan Installation: When installing the fan, ensure the ceiling cover does not press against the antenna or other wires, as this can damage the wires and cause a short circuit.

**PLEASE NOTE: THE REMOTE CONTROL COMES PRE-PROGRAMMED TO THE FAN
REPROGRAMMING IS ONLY REQUIRED WHEN REPLACING THE REMOTE CONTROL**

Troubleshooting Guide

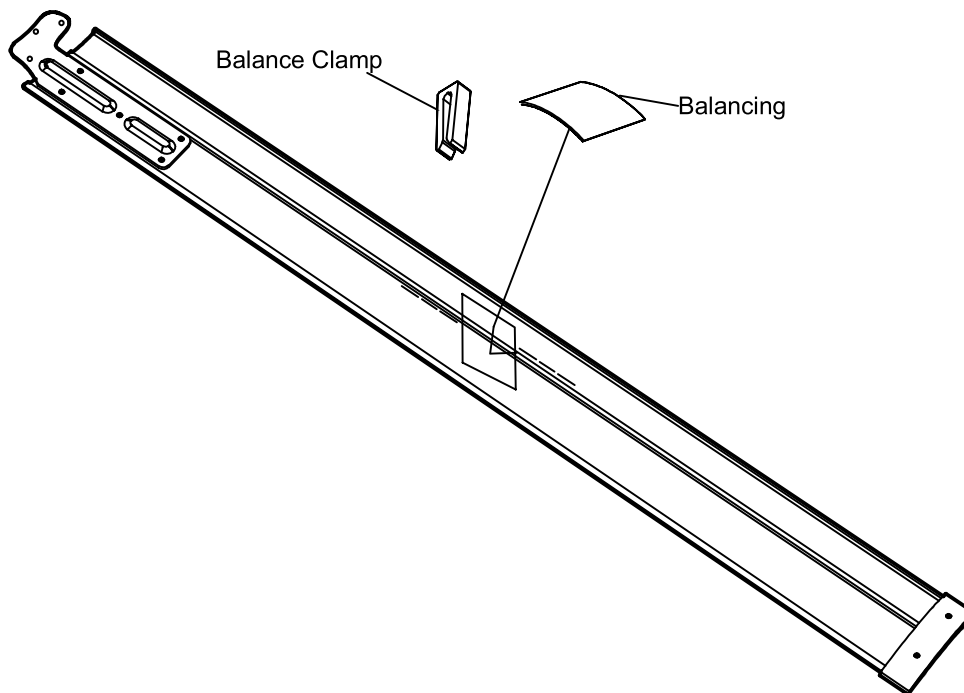
If you have difficulty operating your new ceiling fan it may be the result of incorrect assembly, installation, or wiring. In some cases these installation errors may be mistaken for defects. If you experience any faults please check this troubleshooting guide.

	Problem	Suggested Remedy
1	If fan does not work.	<input type="checkbox"/> Check the fuses or circuit breakers of the main and branch circuits. <input type="checkbox"/> Check the wiring connections to the fan and the switch wiring connections in the switch housing. <input type="checkbox"/> Check the battery in the remote control.
2	If fan sounds noisy.	<input type="checkbox"/> Ensure all motor housing screws are snug. <input type="checkbox"/> Ensure the screws that attach the fan blade bracket to the motor hub are tight. <input type="checkbox"/> Ensure the wire nut connections are not rattling against each other or the interior wall of the switch housing. <input type="checkbox"/> Allow a 24-hour "breaking in" period. Most noises associated with a new fan disappear during this time. <input type="checkbox"/> If you are using the Ceiling Fan light kit, ensure the screws securing the glassware are tight. Check that the light bulbs are also secure. <input type="checkbox"/> Ensure the canopy is a short distance from the ceiling. It should not touch the ceiling. <input type="checkbox"/> Ensure your outlet box is secure and rubber isolate pads were used between the mounting plate and outlet box.
3	If fan wobbles.	<input type="checkbox"/> Check that all blades are screwed firmly into blade holders. <input type="checkbox"/> Check that all blade holders are tightened securely to motor. <input type="checkbox"/> Make sure that canopy and mounting bracket are tightened securely to ceiling junction box and junction box is mounted firmly to ceiling joist. <input type="checkbox"/> Most fan wobble problems are caused when blade levels are unequal. Check this level by selecting a point on the ceiling above the tip of one of the blades keeping measure within 1/8 in. Rotate the fan until the next blade is positioned for measurement. Repeat for each blade. If all blade levels are not equal you can adjust blade levels by the following procedure. To adjust a blade tip down insert a washer (not supplied) between the blade and blade holder at the screw closest to the motor. To adjust a blade tip up insert washer (not supplied) between the blade and blade holder at the two screws farthest the motor. <input type="checkbox"/> If blade wobble is still noticeable, interchanging two adjacent(side by side) blades can re-distribute the weight and possibly result in smoother operation.
4	If light does not work.	<input type="checkbox"/> Check for loose or disconnected wires in fan switch housing. <input type="checkbox"/> Check for loose or disconnected wires in the LED Light Retrofit Kit. <input type="checkbox"/> Check for faulty the LED Light Retrofit Kit. CAUTION: Make sure main power is turned off before entering switch housing. <input type="checkbox"/> If the fan light shuts off shortly after being switched on it may be due to excessive current demand. Turn off power to the fan and replace the LED Light Retrofit Kit with lower wattage. Turn on power to the fan using the remote control (whichever is installed on the particular fan).

Balancing Kit

The balancing kit should only be used if there is an unacceptable amount of fan wobble after completing all the steps in your Owners Manual under "Attaching The Fan Blades."

1. Turn the fan on and set the speed control setting to a speed at which the wobbles is the greatest.
2. Turn off the fan and allow it to a come to a complete stop. Select one blade and place the balance clip on it, halfway between the blade holder and the blade tip on the trailing edge of blade.
3. Turn the fan on. Note whether the wobble has increased or decreased. Turn the fan off, move the clip to another blade, and retest. Repeat this procedure on all blades noting the blade on which the greatest improvement is achieved.
4. Move the clip back to the blade that showed the greatest improvement. Move the clip inward and outward on this blade and operate the fan to find the position where the clip gives the greatest improvement.
5. Remove the clip and install a balancing weight to the top of blade along the center line near the point where the clip was positioned.
6. If the fan wobble problem has not been corrected you may wish to try to improve the balancing further by using the balancing clip and additional weights.



Maintenance Instructions

Warm Tips: The Maintenance of Ceiling Fans

1. Because the ceiling fan always runs, please check regularly whether the hanger, fan blade, leaf rack and other parts are loose, if not, please fasten it in time to ensure it run with safety.
2. Keep ceiling fans clean regularly. Only use a soft brush or a lint-free cloth to clean it gently. Do not use a damp cloth or other destructive cleaner.
3. Don't add lubricating oil or lubricant to any part of this product.

NOTE: THIS FAN MUST BE INSTALLED BY A LICENSED AND QUALIFIED ELECTRICIAN IN ACCORDANCE WITH LOCAL AUTHORITY REGULATIONS



”

Thanks for Choosing JAZAVA

JAZAVA Smart Fan



Smart Life App



Alexa

User Manual

You support means the world to us.

We hope you enjoy our product as much as we did creating it.

NO.1 Download App

Search and download "Smart Life" in major application markets or scan the QR code below to download the App.



You can also go to:
App Store (IOS system)
or Android application
markets to search for
"Smart Life" Smart APP
and download the APP

NO.2 Registration/Login/Password Retrieval

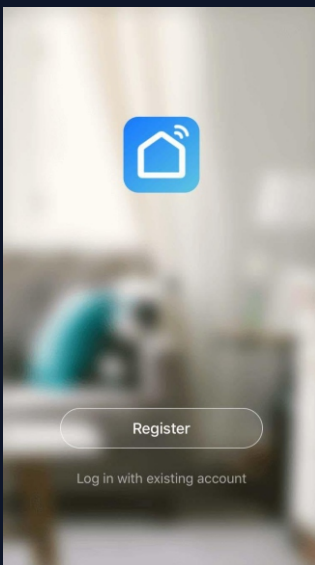


Fig. 1

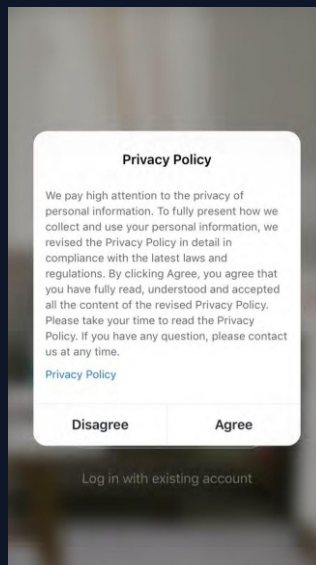


Fig. 2

Registration

If you do not have an app account, you may choose to register or log in by authentication code. The registration process is described on this page and the next.

1. Click "**Register**" to go to the Smart Life privacy policy page. Click "**Agree**" to proceed to the registration page.

NO.2 Registration/Login/Password Retrieval



Fig. 1

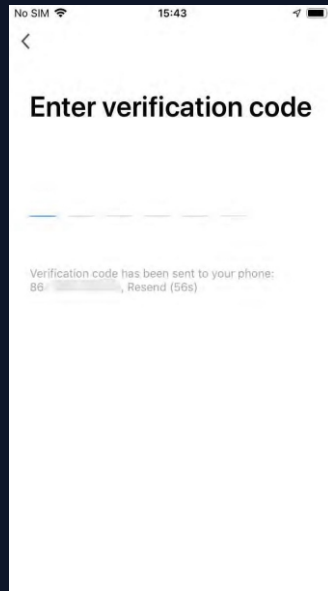


Fig. 2

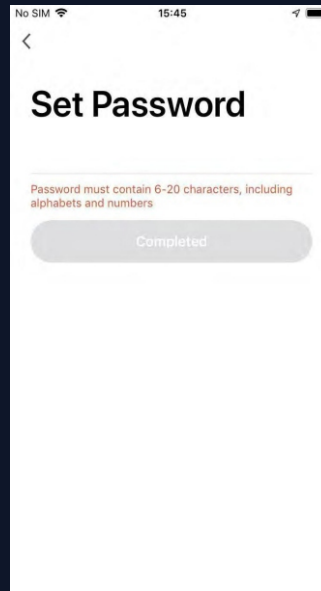
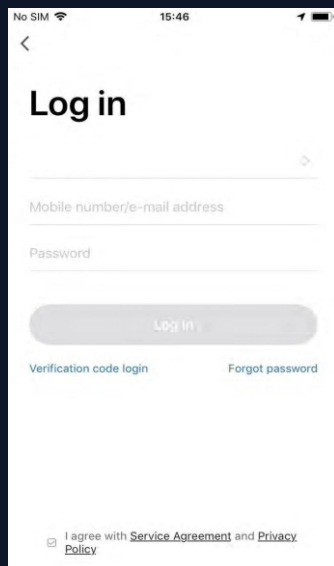


Fig. 3

2. The system will identify automatically the country /region you are in, or you may choose to select manually a country/region. Enter your **mobile phone** number or **email** and click "**Get authentication code**", as shown in Fig. 1.
3. Enter the authentication code you received. Then enter the password and click "Completed" to complete registration.

NO.2 Registration/Login/Password Retrieval



Account ID + Password Login

If you already have an **Smart Life** app account, click "Log in with existing account" to proceed to the login page.

1. The system will identify automatically the country/region you are in, or you may also choose to select manually a country/region.
2. Enter the mobile phone number or email you have registered and enter the password in to log in.

NO.2 Registration/Login/Password Retrieval

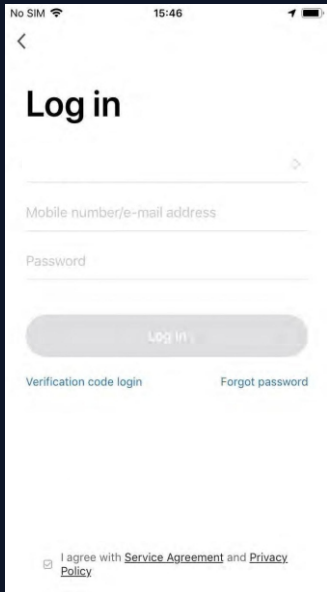


Fig. 1

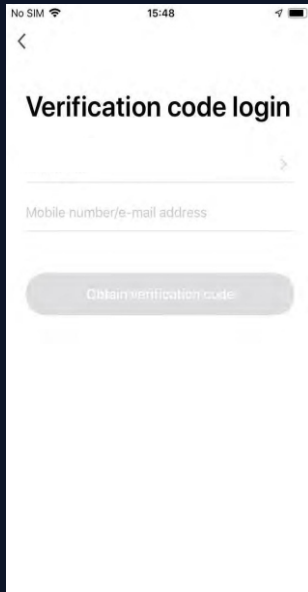


Fig. 2

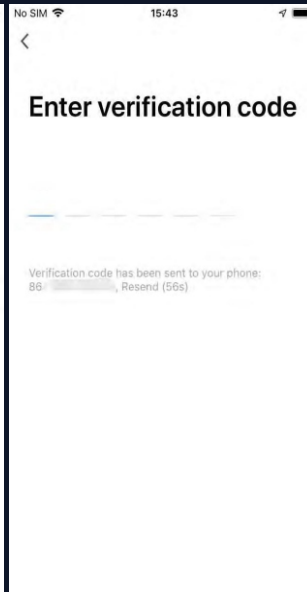


Fig. 3

Verification Code Login

1. Click "Verification code login" in Fig. 1 to go to the next page.
2. The system will identify automatically the country/region you are in, or you may also choose to select manually a country/region.
3. Enter your mobile phone number or email and click "**Obtain authentication code**", as shown in Fig. 2.
4. **Enter the authentication code** in the text message or email to log in, as shown in Fig. 3.

NO.2 Registration/Login/Password Retrieval

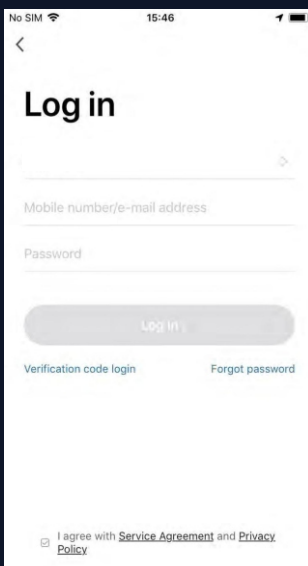


Fig. 1

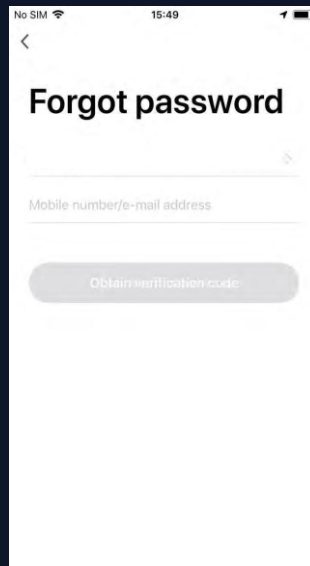


Fig. 2

Forgot password

If you forgot your app password, you can reset your password by following the Password Retrieval procedure.

1. Click "**Forgot password**", as shown in Fig. 1.
2. The system will identify automatically the country/region you are in, or you may choose to select manually a country/region. Enter the mobile phone number or email you used to register and click "**Obtain authentication code**", as shown in Fig. 2.

NO.2 Registration/Login/Password Retrieval

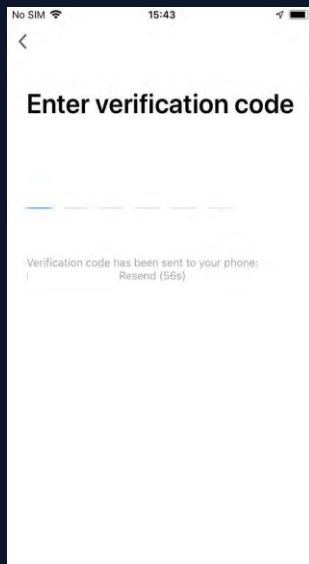


Fig. 3

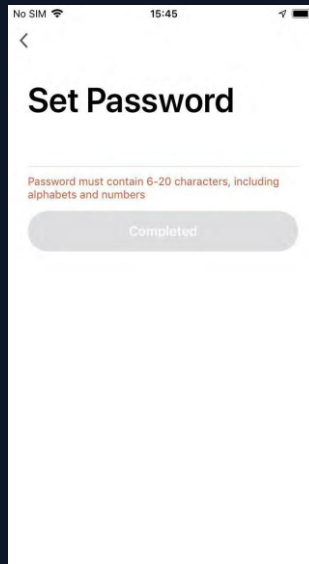


Fig. 4

3. Enter the authentication code sent to your mobile phone number or email, as shown in Fig. 3.

4. Enter the new password and click **"Completed"** to log in, as shown in Fig. 4.

NO.3.1 Family/Member Management

1. When logged in, click **"Create family"** to go to the **"Add family"** page, as shown in Fig. 1.
2. **"Family Name"** can be entered manually, as necessary. Click **"Set location"** to go to the map. Move the icon manually to change the address. Click **"OK"** to confirm the address, as shown in Fig. 2.
3. Click **"Add Room"** to add a room, as shown in Fig. 3. Click **"Done"** at the top right corner to complete room settings. Room settings can be changed anytime by clicking on **"..."** as shown in Fig. 4.

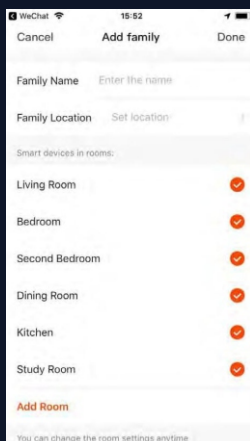


Fig. 1

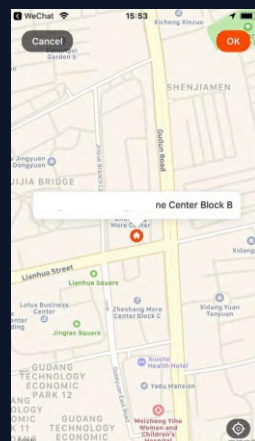


Fig. 2

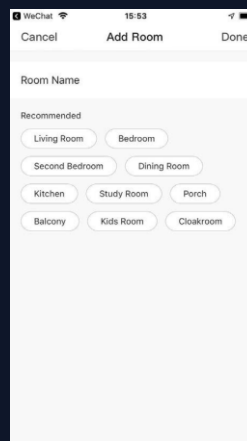


Fig. 3

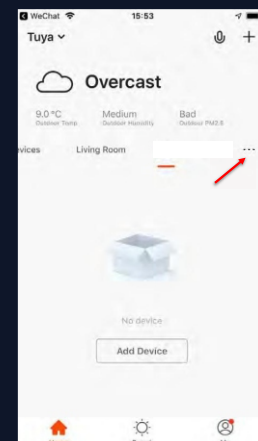


Fig. 4

NO.3.2 Add Devices

Method 1 Registration:



Turn on the Wi-Fi and Bluetooth, ensure that Wi-Fi was connected to 2.4 GHz network already. Turn on the Fan power supply within 30 seconds, start pairing by Pressing the " ⇨ " **Natural Wind key** at least **5 seconds** until you hear "D..D.. D.." or more beep sounds from the receiver. The ceiling fan needs work at 2.4 GHz Wi-Fi to connect the device.

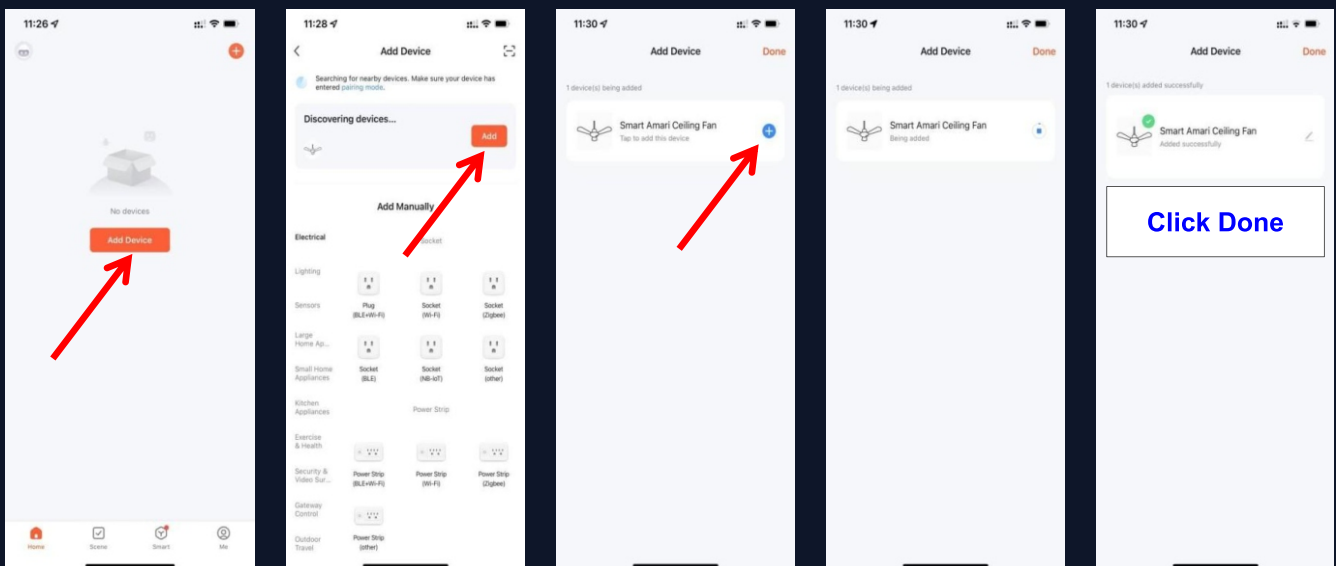
If the connection fails: Use Internet-enabled Wi-Fi at first if possible.

- 1) Make sure Wi-Fi is turned on.
- 2) This ceiling fan needs to use 2.4Ghz Wi-Fi to connect.
- 3) Make sure the Wi-Fi network is stable.
- 4) Make sure the Wi-Fi name and password are correct.

If the connection is not successful within three minutes, retry to pair the fan: Turn off the Fan power supply for **10 seconds**, then turn on the Fan power supply again, and Pressing the " ⇨ " **Natural Wind key** again.

NO.3.3 Add Devices

Click "**Add Device**" or "+" at the top right corner of the App homepage to enter the "**Add Device**" page. Connect successfully and then click "+" -->Waiting for connection-->Click "**Done**" to enter the interface.

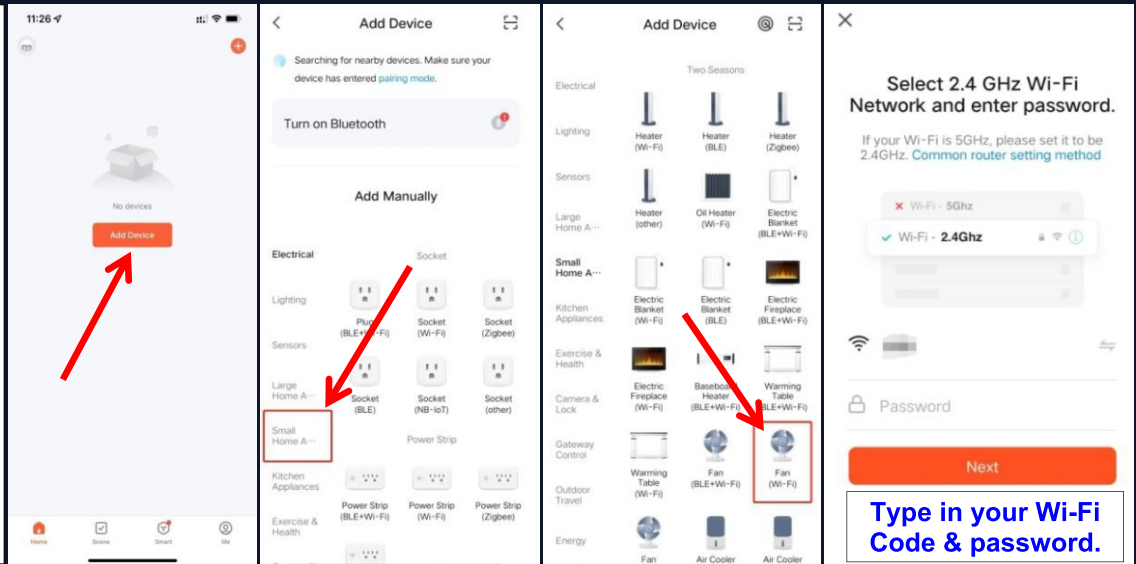


NO.3.3 Add Devices

Method 2: Add manually (Wi-Fi on & Bluetooth on), turn on Wi-Fi and connect to 2.4G network

Click "**Add Device**" --> Under "**Add Manually**" select "**Small Home Appliances**" --> Select "**Fan (Wi-Fi)**"

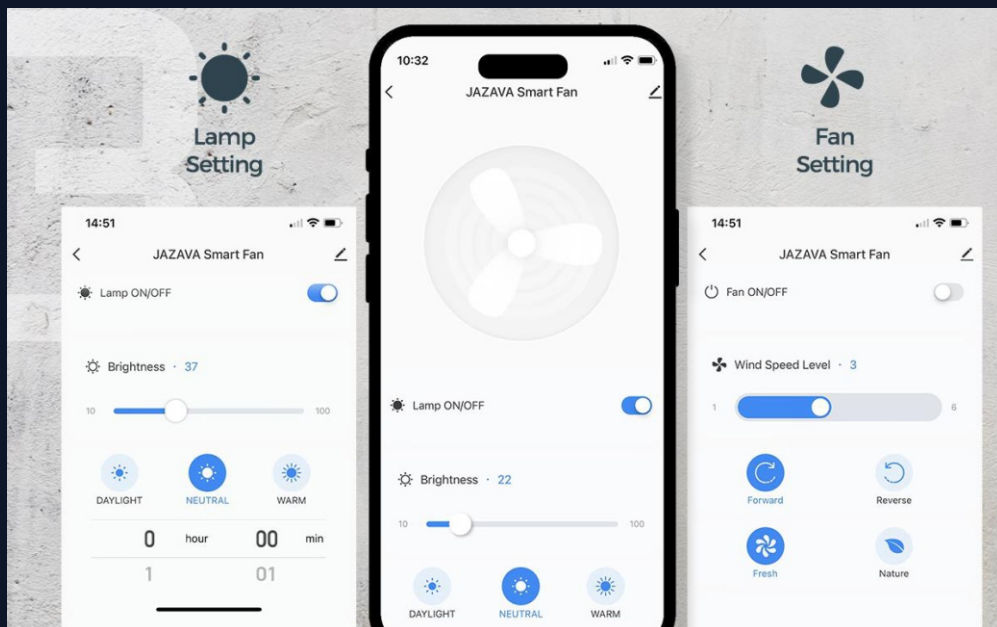
Turn on Wi-Fi and connect to 2.4G network



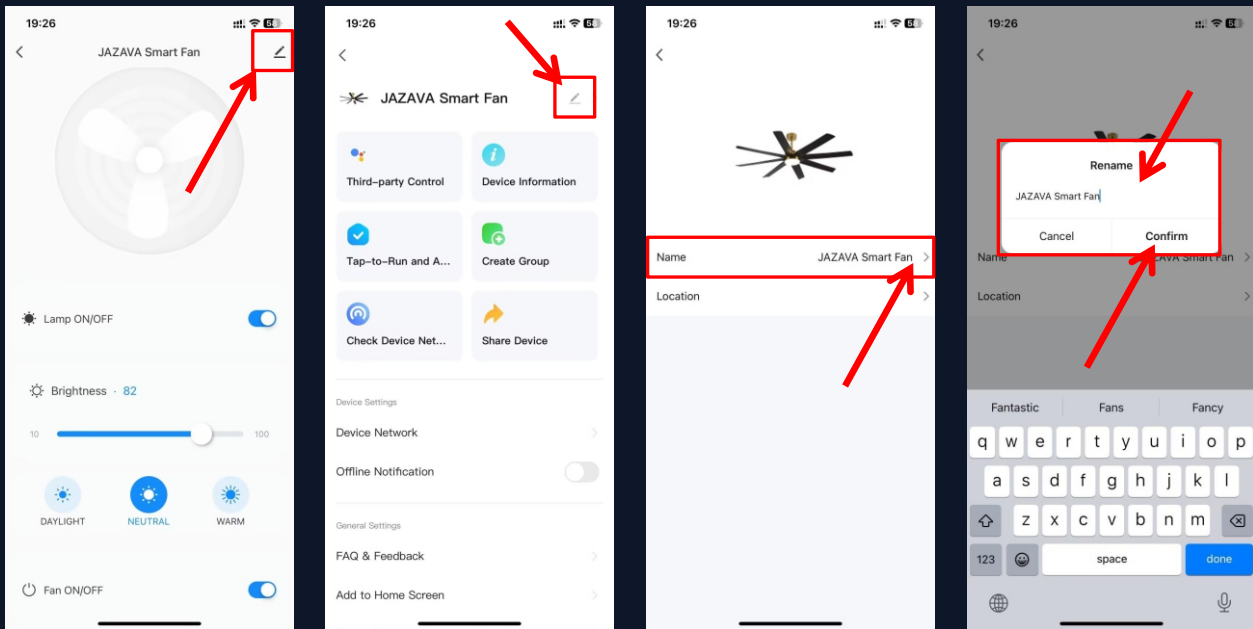
Type in your Wi-Fi Code & password.



Activated and logged-in Smart Life APP CONTROL, Lamp Setting & Fan Setting



Create a name for your ceiling fan, and follow the steps below.



Use Amazon Echo to Control Smart Devices

When you start, please make sure you have completed the above steps and linked the SMART LIFE app. (Make sure the ceiling fan is working on)

Prerequisites:

- A Wi-Fi network is available for access to Amazon services.
- An Amazon Echo smart speaker is prepared, for example, the Echo, Echo Tap, or Echo Dot.
- An Amazon account is registered. If you do not have an Amazon account, register one.
- The Smart Life app or your OEM or SDK-based app is in use and an account of either app is created.
- Your app account is bound with at least one smart device. The device name is simple, for example, "bedroom light".

Note: Add a smart device

If you have logged in to the app and bound a device with the app, and the device is named in English, you can skip the steps in this section.

Scan the following QR code to download the Smart Life app.

You can also download the Smart Life app

from Apple's **App Store** or other **Android app stores**.



Register account

Open the Smart Life app, register an account, and then log in to the app.

Add device

On the homepage of the app, tap + in the top right corner and add a device as instructed.

Rename device

Go to the control panel of the newly added device, tap the edit icon in the top right corner of the page to enter the device details page, and then change the device name to a simple one **in English**.

Configure Amazon Echo and enable Smart Life skill

Download the Alexa mobile App:

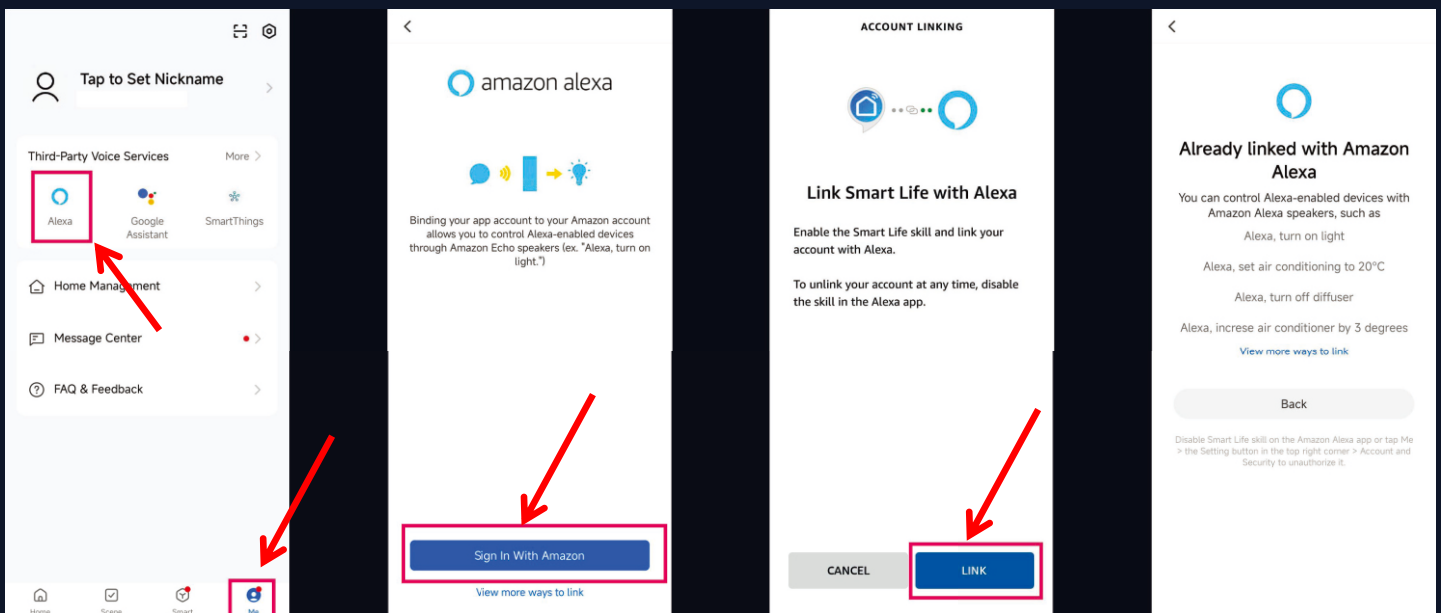
Log in to the App Store with Apple ID registered in the United States, and search and download Amazon Alexa for iOS.

Go to Google Play, and search and download Amazon Alexa for Android.

This section describes how to configure Amazon Echo in the Alexa mobile app. The configuration procedure is similar for the Alexa web application.

Bind Smart Life app with Alexa

Method 1: Use Smart Life app to start binding



Method 2: Use Alexa app to start binding

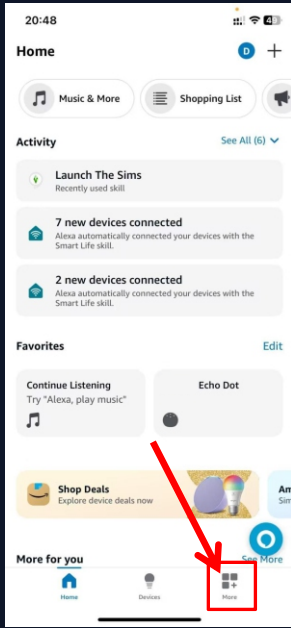


Fig. 1

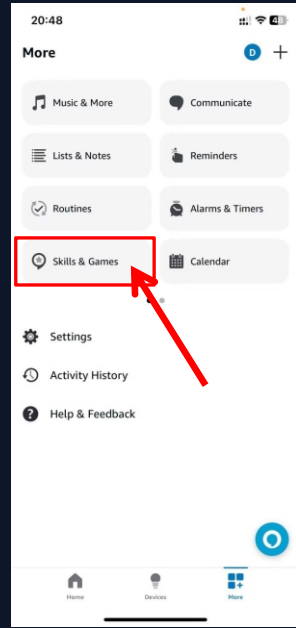


Fig. 2

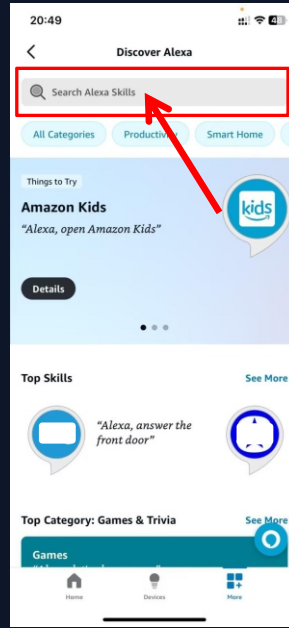


Fig. 3

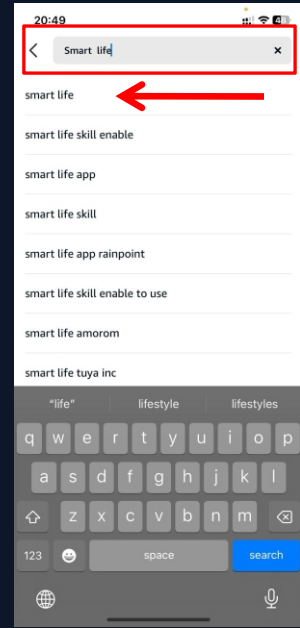


Fig. 4

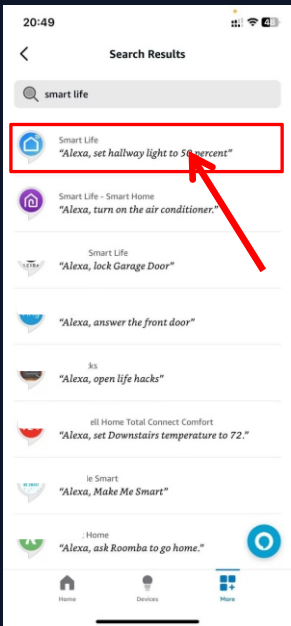


Fig. 5

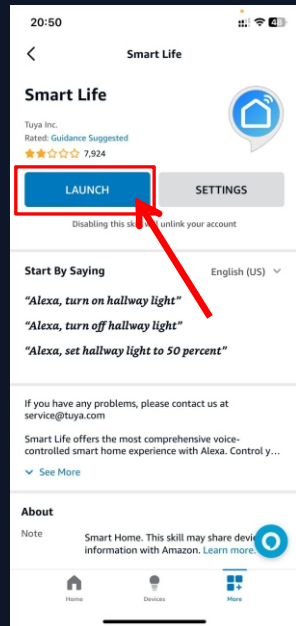


Fig. 6

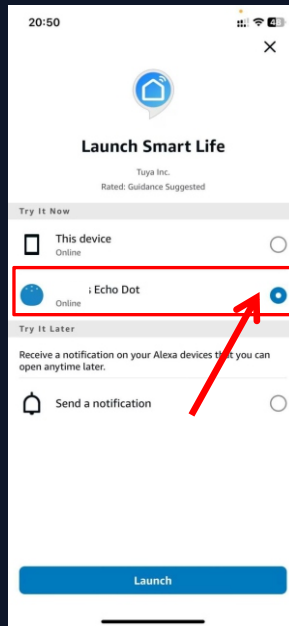


Fig. 7

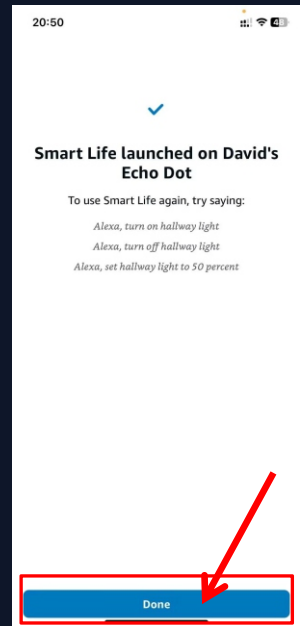


Fig. 8

If the skill and link with Alexa is not successful, that please check the **network/Wi-Fi** is available or not, and then fix it. Please make sure the ceiling fan is working on.

And then please follow the **NO.3.2** page and above the steps to **re-start / re-connect** it again.

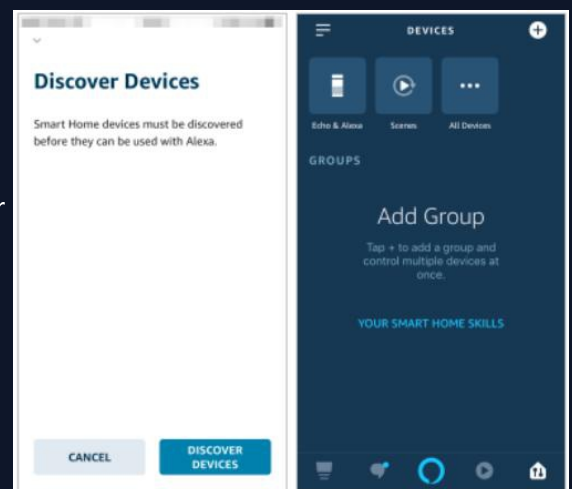
Use Echo to control smart device

Discover a device

The Echo needs to discover a device before it can control the device. The device discovery page automatically appears after the Smart Life skill is bound. Tap **DISCOVER DEVICES** to search for devices. You can also say to the Echo: "Alexa, discover devices." Then, the Echo starts searching for smart devices that are paired with the Smart Life app. The Echo reports the search result about 20 seconds later and the Alexa app displays the discovered devices in a list.

Note:

- You can use the **DISCOVER DEVICES** feature to discover only the devices that have been added to the Smart Life app. Other unpaired devices cannot be discovered and added to the Echo.
- If a device is renamed in the Smart Life app, the Echo must discover the device again. Otherwise, it cannot control the device.



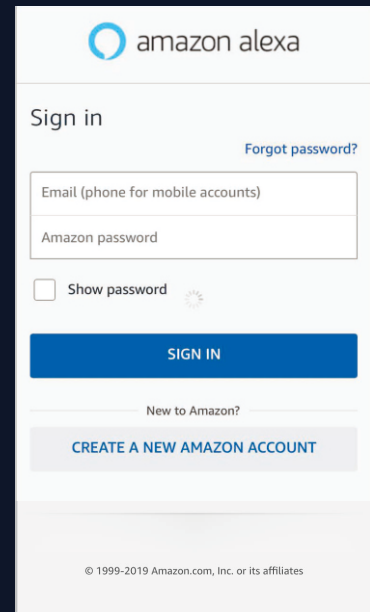
Configure Amazon Echo in Alexa mobile app

Prerequisites:

- The Echo is powered on.
- The Echo is connected to a Wi-Fi network over which Amazon services are accessible.

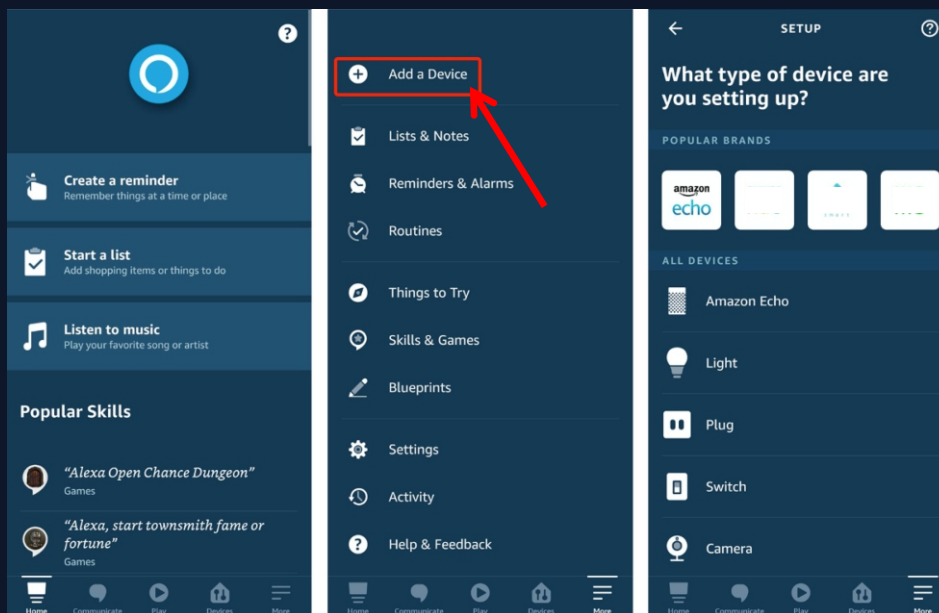
Procedure:

1. Open the Amazon Alexa app.
2. Enter the Amazon account and password, and tap SIGN IN.

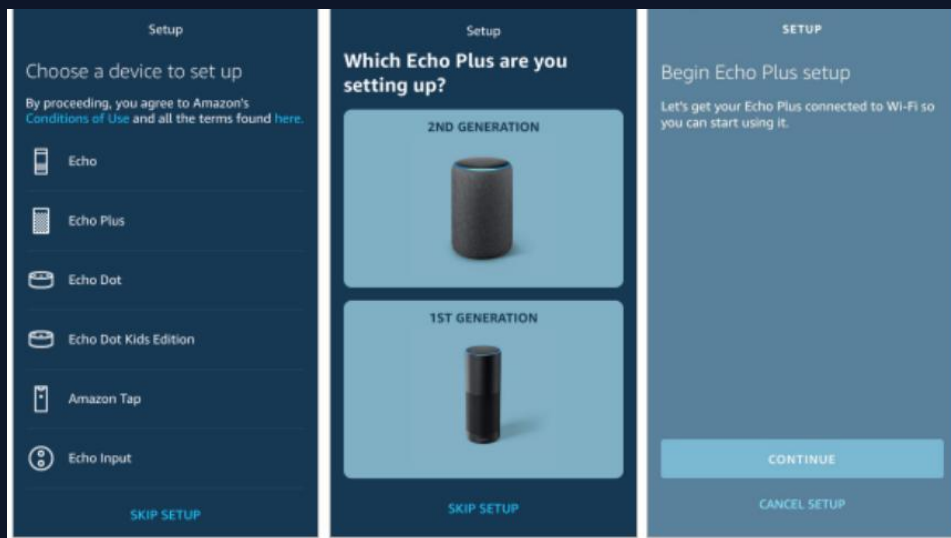


The screenshot shows the Amazon Alexa app's sign-in interface. At the top, the Amazon Alexa logo is displayed. Below it, the text "Sign in" is shown, with a "Forgot password?" link to the right. There are two input fields: "Email (phone for mobile accounts)" and "Amazon password". A checkbox labeled "Show password" is located below the password field. A blue "SIGN IN" button is positioned below the input fields. At the bottom, there is a link for "New to Amazon?" and a button labeled "CREATE A NEW AMAZON ACCOUNT". The footer contains the copyright notice: "© 1999-2019 Amazon.com, Inc. or its affiliates".

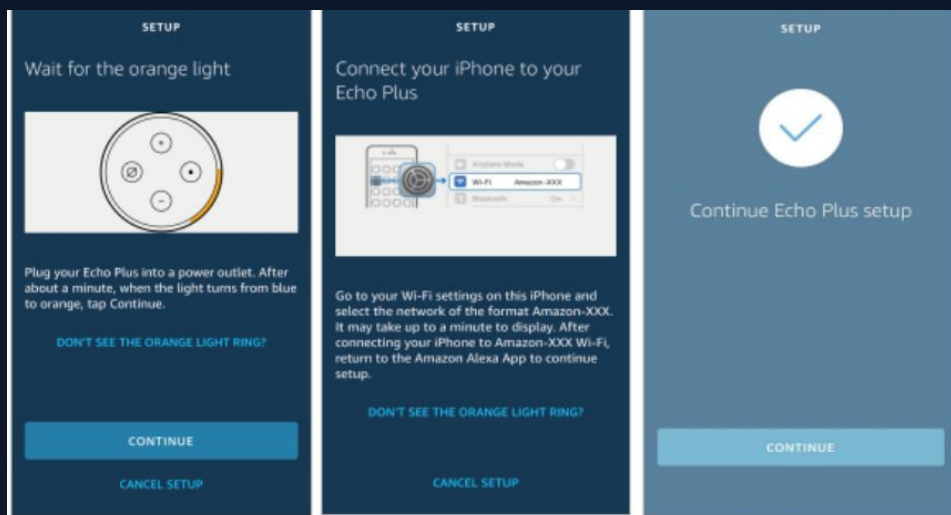
3. After successful login, in the bottom right corner of the **Home** page, tap **More** > **Add a Device**, and on the **SETUP** page that appears, select the **Amazon Echo** brand.



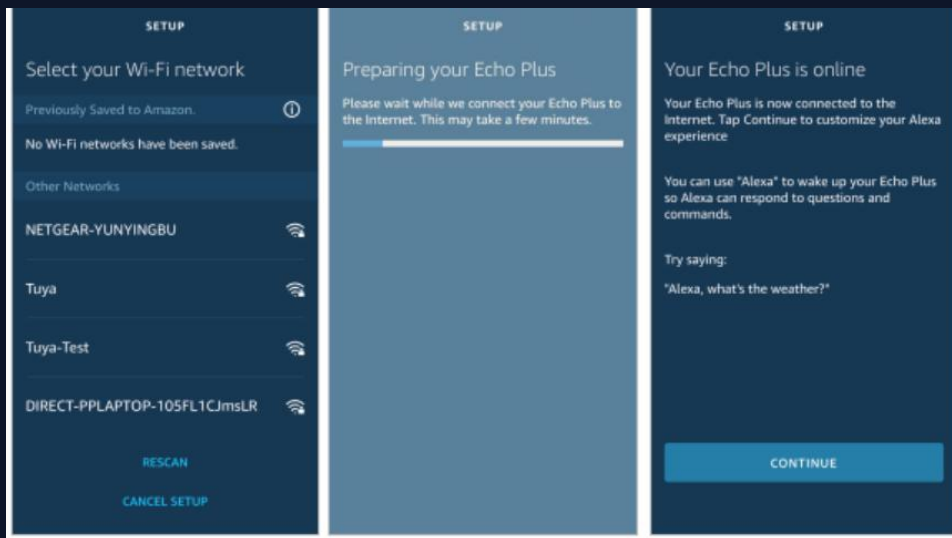
4. Select your Echo device type and tap **CONTINUE** to configure the Echo.



5. When the page Wait for the orange light appears, press and hold the action button until the light ring turns orange. Tap **CONTINUE** to connect the mobile phone to the hotspot of the Echo, and tap **CONTINUE**.



6. Select a Wi-Fi network to which the Echo will be connected. Enter the Wi-Fi password and tap **CONNECT**. It takes several minutes for the Echo to successfully connect to the Wi-Fi network.



7. Then, tap **CONTINUE**. A video walk through appears to help get you started. At the end of the video, tap **NEXT** to navigate to the Home page of Alexa. Now, the Echo is configured.



Use Alexa voice commands to control device



Now, you can use the following commands to control a device, such as a (bedroom light) = <device name>:

Alexa, turn on/off <device name>.

Alexa, set <device name> to fifty percent. (set the brightness 10% to 100% percent)

Alexa, brighten the <device name>. / Alexa, dim the <device name>. (increase or decrease the brightness)

3000K = Alexa, set <device name> to Colour. (set the color on 1st generation version)

4000K = Alexa, set <device name> to Scene. (set the color on 1st generation version)

5000K = Alexa, set <device name> to White. (set the color on 1st generation version)

3000K = Alexa, make the <device name> soft white. (set the color temperature on 2nd generation version)

4000K = Alexa, make the <device name> light whiter. (set the color temperature on 2nd generation version)

5000K = Alexa, make the <device name> daylight. (set the color temperature on 2nd generation version)

Alexa, turn on/off Lamp on <device name>. (just close the Lamp, or not)

Alexa, turn on/off Fan on <device name>. (just close the Fan, or not)

Alexa, set <device name> speed to 3. (1 ~ 6 speed)

Alexa, set <device name> to Forward.

Alexa, set <device name> to Reverse.

Alexa, set <device name> to Fresh. (Adjust the speed between fast and slow)

Alexa, set <device name> to Nature. (Simulate natural wind speed)

Alexa, set <device name> fan countdown left to 30. (Setting timer to 1 ~ 540)

Alexa, set <device name> fan countdown left to ZERO. (Cancel timer)

TIP:

When using voice control features, if the device does not respond well, please use the recommended official commands to operate Alexa and Echo. This can improve the device's understanding and response efficiency. If you encounter any issues, feel free to contact our technical support to ensure a smooth user experience.

Thank You

For FAQs and more information, please email to service@jazava.com,
or please contact to [+1\(626\)283-1518](tel:+1(626)283-1518) , 8:30 a.m. - 5:00 p.m., PST, Monday - Friday.

Notes:

- 1) All figures display IOS interfaces. Android versions may vary slightly.
- 2) Products and software are constantly being updated. Data and software interfaces shown here are for reference purposes only. Further changes made will not be separately disclosed