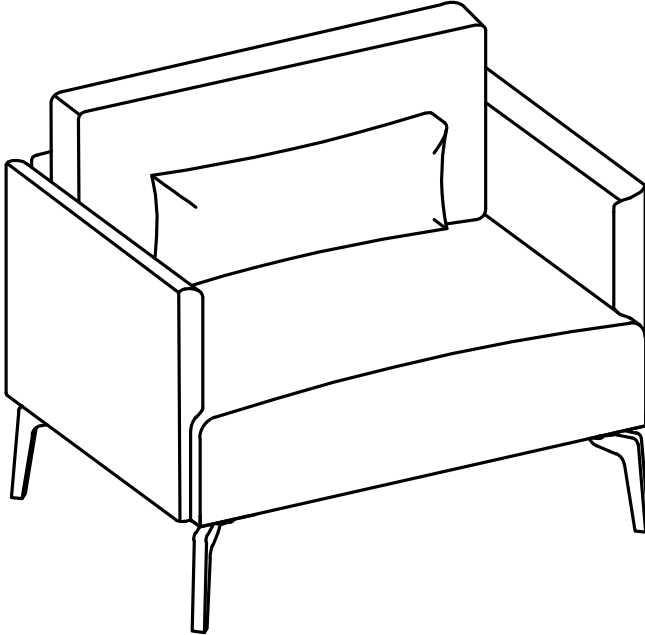


Sofa Assembly Instruction



INSTALLATION

BOOK

Easy installation manual for sofa

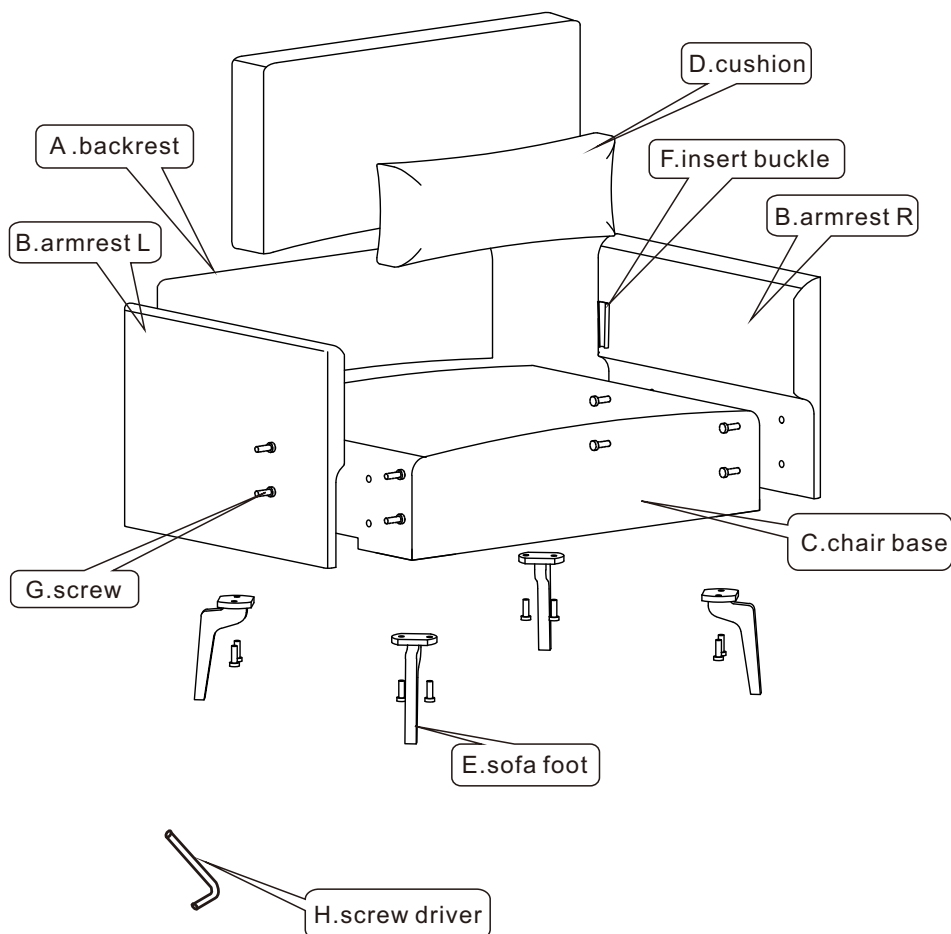
To ensure the best experience , please read this guide carefully before using your new sofa.
Be sure to keep this manual close by , so that you can always refer to it as needed.

Notice

Please check you have all hardware before assembly.

Please check you have all the parts as the instruction shown.

Assembly parts(A,B,C,D) & hardware(E,F,G,H)



Hardware Specification



Sofa Foot

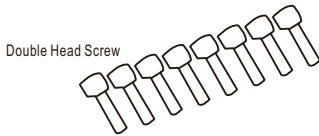


Socket Head Cap Screw

Hexagon Socket Screw Gasket



Inner Hexagon Spanner



Double Head Screw

Double Head Screw Gasket

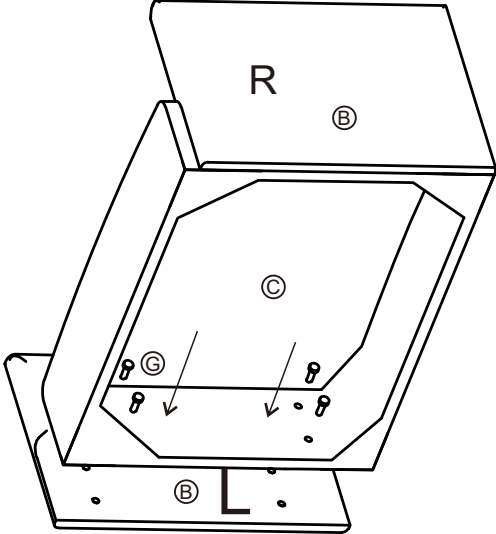
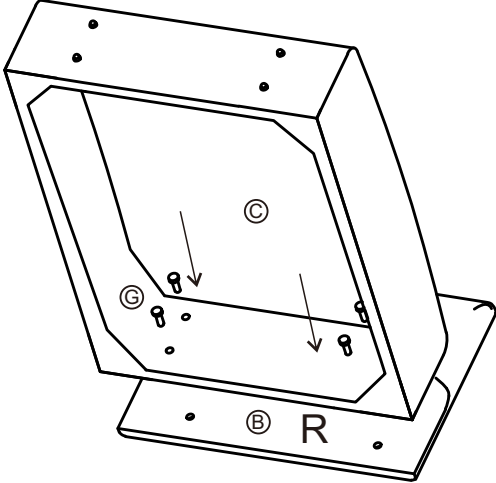


Product Name	Specifications	Quantity
Sofa Foot	17Lx10Wx8Tcm	4
Gasket	Φ8mm~Φ20mm	16
Socket Head Cap Screw	M8x23mm	8
Double Head Screw	M8x45mm	8
Inner Hexagon Spanner	M8	1

Assembly Instruction

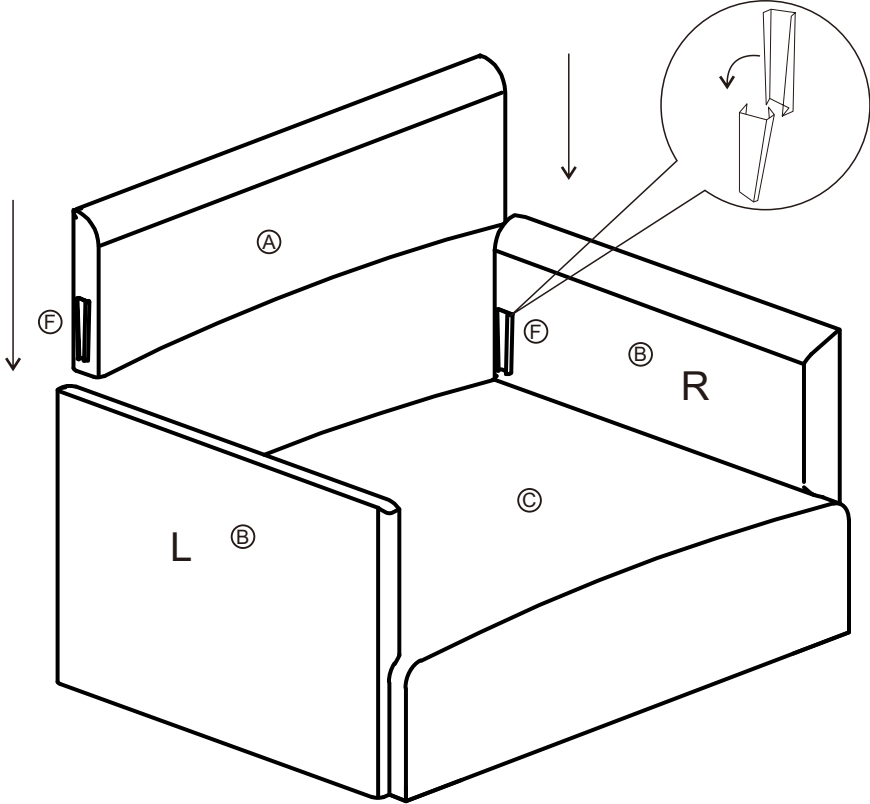
1. Install the armrests

Put armrests fit into seat, use screw driver to fasten screw as below picture shown



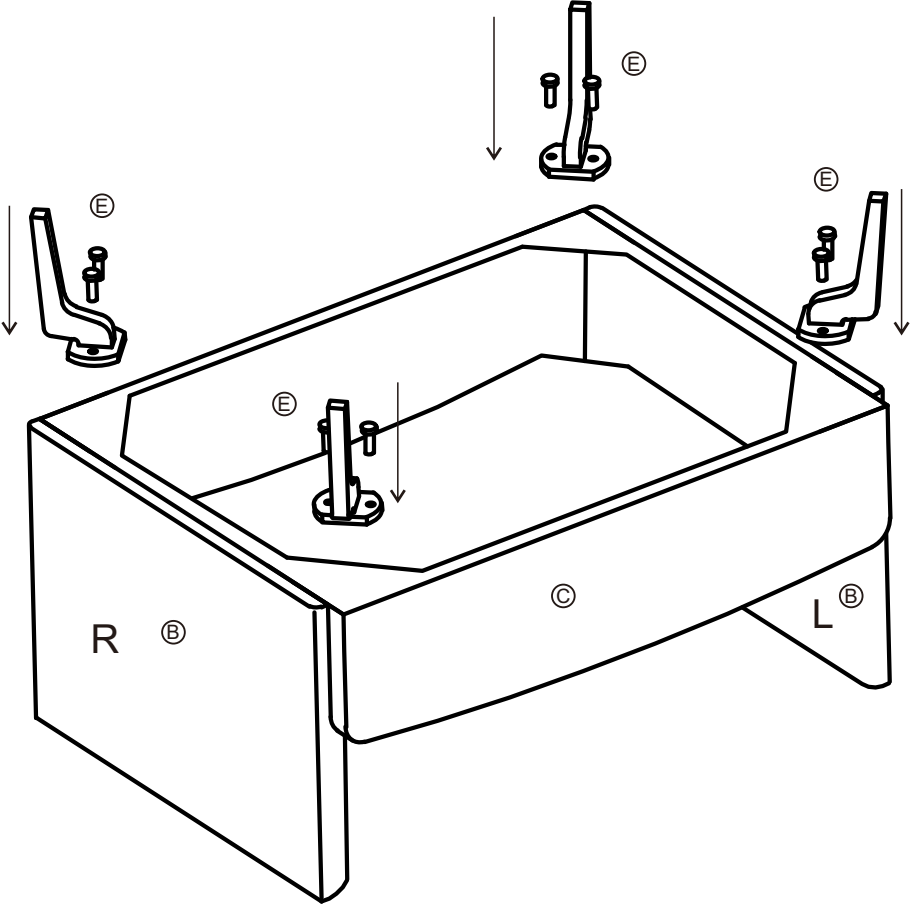
2.Install the backrest

Put the back into seat,insert iron buckle properly as below picture shown

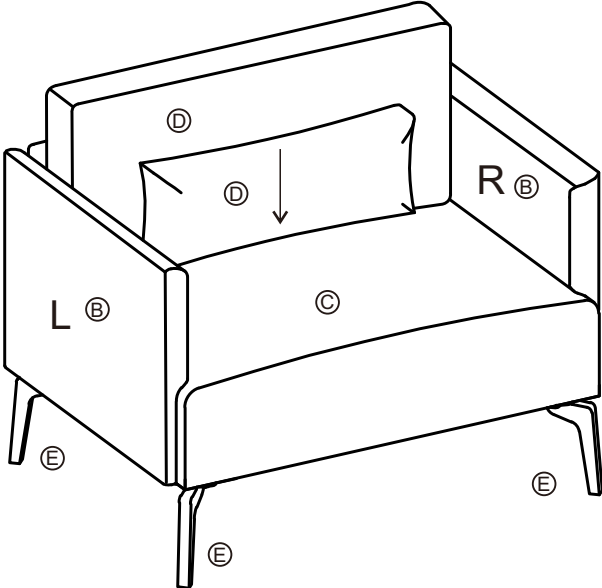
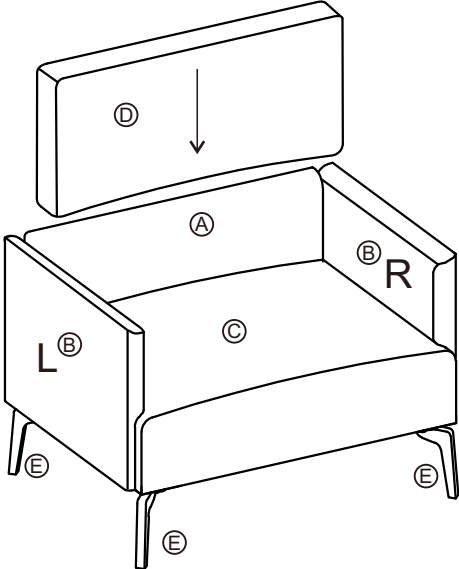


3.Install the sofa foot

use screw driver to fasten screw as below picture shown



4.Position the cushion



Thank you for using!