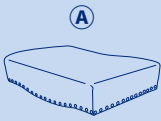
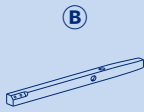


BAR STOOL

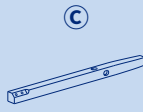
Read these instructions carefully. Ensure that all parts are complete before assembling.



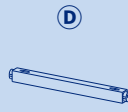
Cushion Seat x1



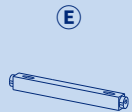
Leg x2



Leg x2



Long Footrest x2



Short Footrest x2



M6*40 Screw x8



M8*60 Screw x8



Spring Washer x8



Flat Washer x8



Hex Key x2

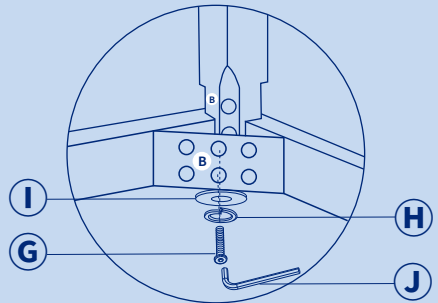
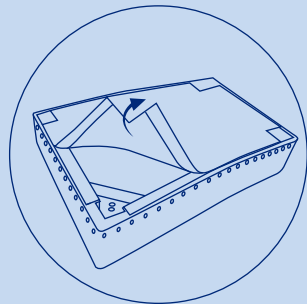
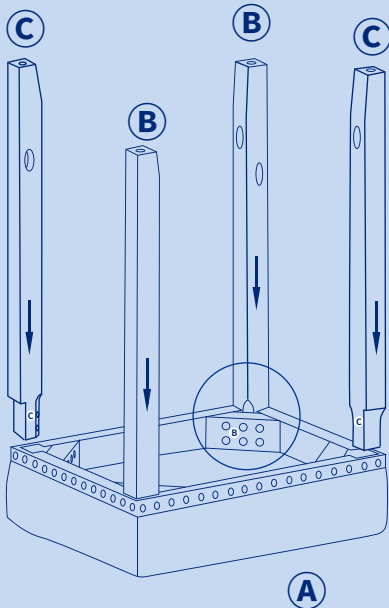


Foot Pad x4



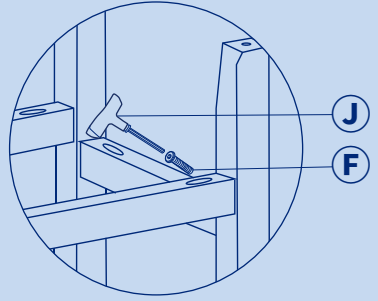
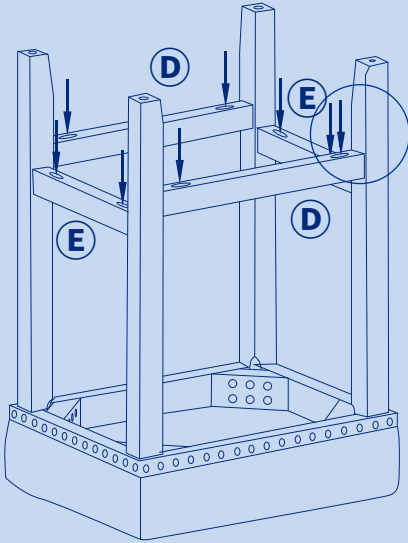
When operating the electric screwdriver, please exercise caution to prevent over-tightening, as it may result in stripped holes. Be mindful not to scratch any components during use.

Step 1



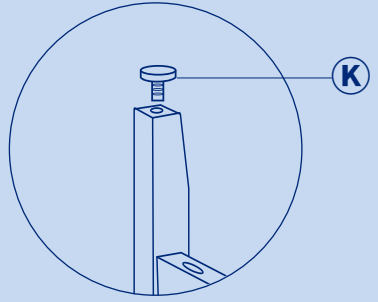
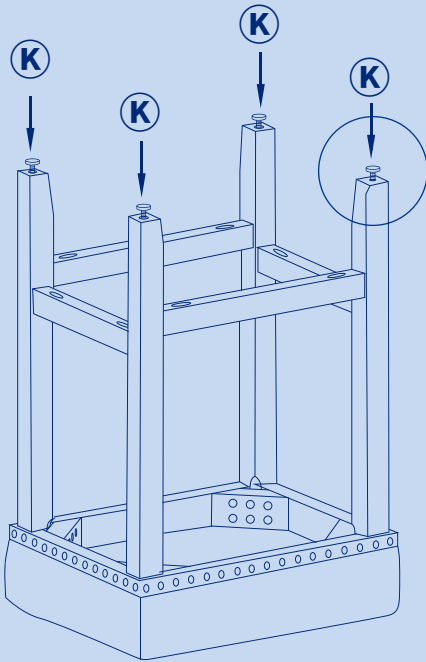
Tighten to 75%

Step 2

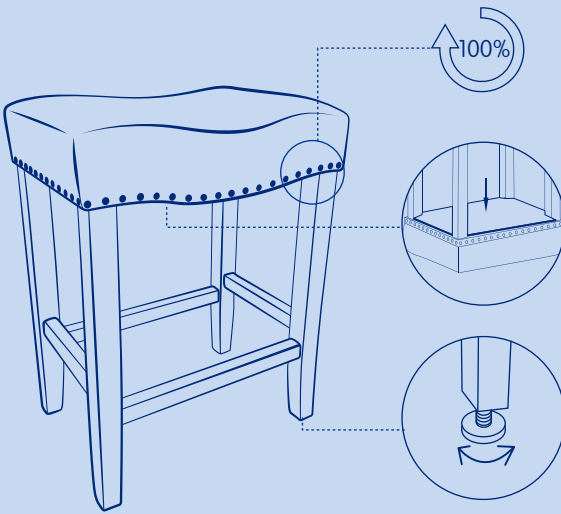


75%
Tighten to 75%

Step 3



Step 4



Ensure the stool is stable on the ground and doesn't require any adjustments, then tighten all screws to 100%.

Seal the fabric cover back under the seat once it's fully assembled.

Utilize the adjustable foot pads to level the bar stool as needed.



Scan the QR code, search for installation instruction

NEED HELP? LET'S FIX IT TOGETHER.

- Contact us -

909-468-1486 (M-F; 9am-5pm PST)

CARE AND MAINTENANCE

Avoid exposure to extreme temperature and humidity changes.

Keep away from direct sunlight to prevent damage to the finish.

Use a soft, clean cloth for dusting to avoid scratching the surface.

We recommend tightening the screws every 2 months after assembly.