

chair

Product ID. 7A7JI



Scan for Support
support@garvee.com

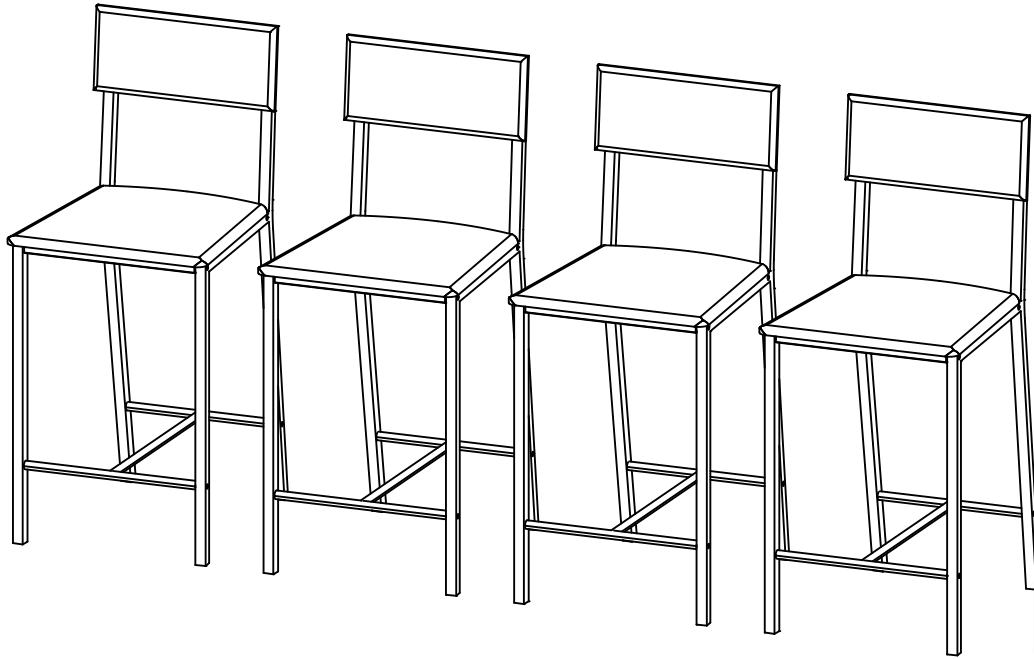


Distributed by
GARVEE.com

V26011281NM

SKU:PHK_33WQHCWG
PHK_33WQMEAA

Assembly Instruction



 Team
Assembly
Recommended

Trouble shooting:

Missing / Wrong / Broken parts and installation issues



Send email with your question pie ,order NO. and
screenshot of order details to:
support@garvee.com



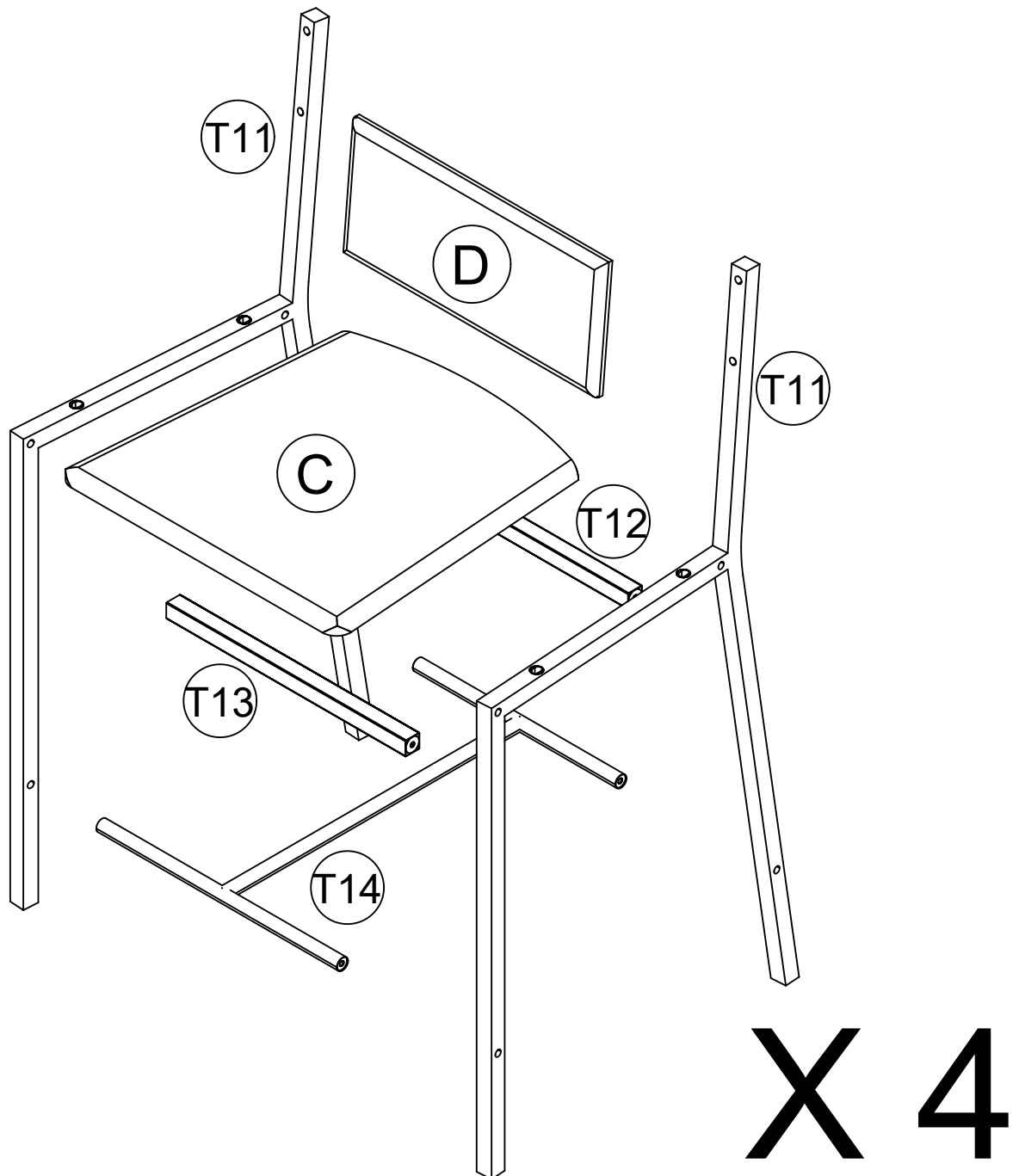
Respond within 24 hours



Issue resolved

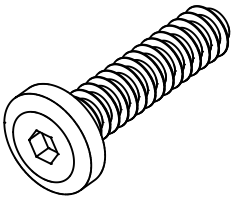
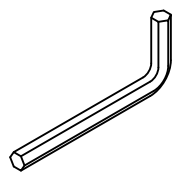
COMPONENTS ID Nr.

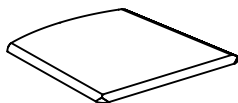
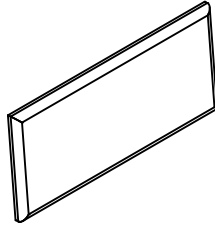
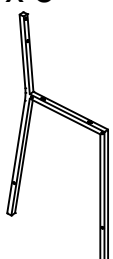
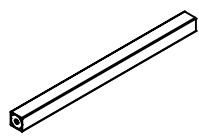
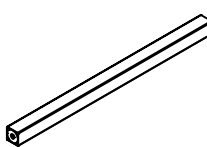
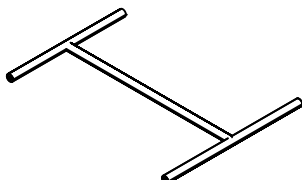
Part Nr.	Qty	Part Nr.	Qty	Part Nr.	Qty
C	4pcs	D	4pcs		
T11	8pcs	T12	4pcs	T13	4pcs
T14	4pcs				



Note: Don't tighten all screws during installation.

HARDWARE LIST

<p>① x 64</p>  <p>M6x30mm</p>	<p>② x 1</p>  <p>#4</p>
--	--

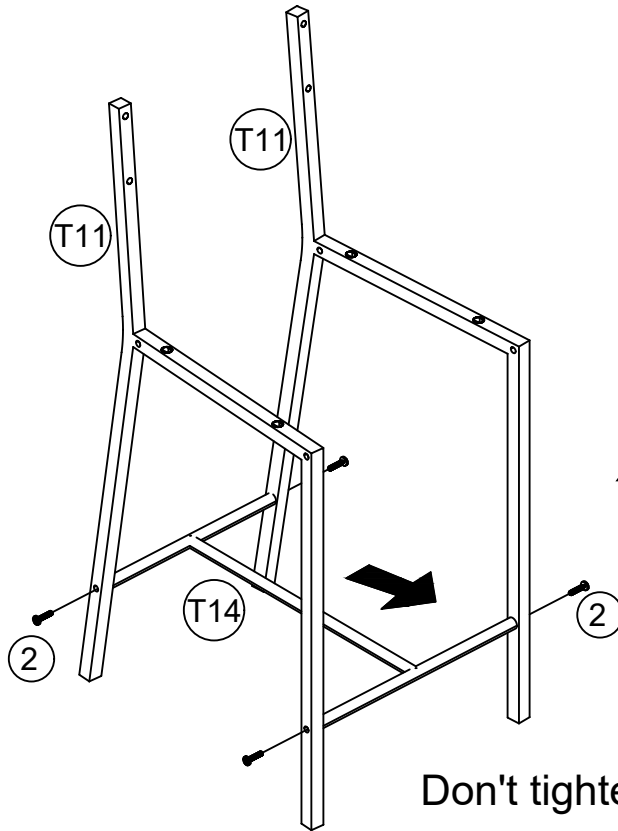
<p>Ⓒ x 4</p> 	<p>Ⓓ x 4</p> 		
<p>Ⓙ11 x 8</p> 	<p>Ⓙ12 x 4</p> 	<p>Ⓙ13 x 4</p> 	<p>Ⓙ14 x 4</p> 

1

M6x30mm



② x 16



X 4

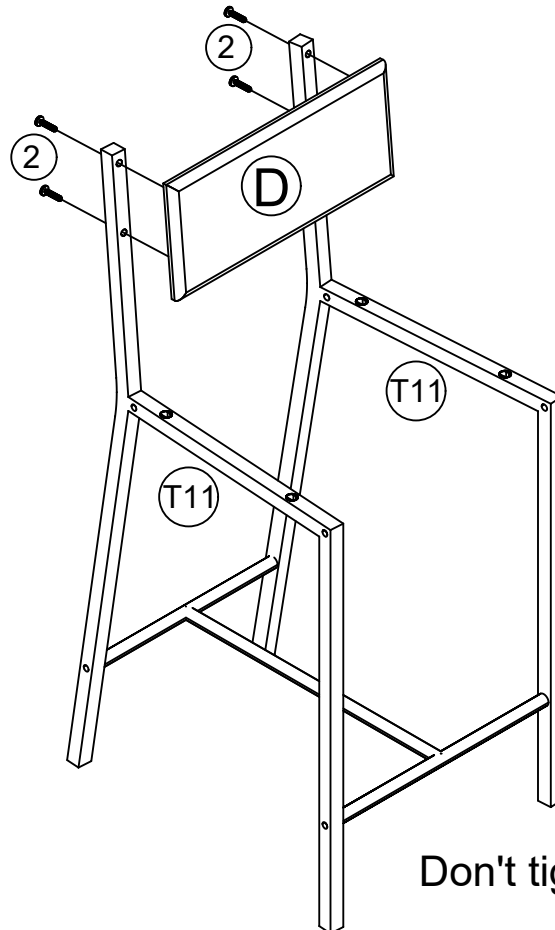
Don't tighten the screws too much.

2

M6x30mm



② x 16



X 4

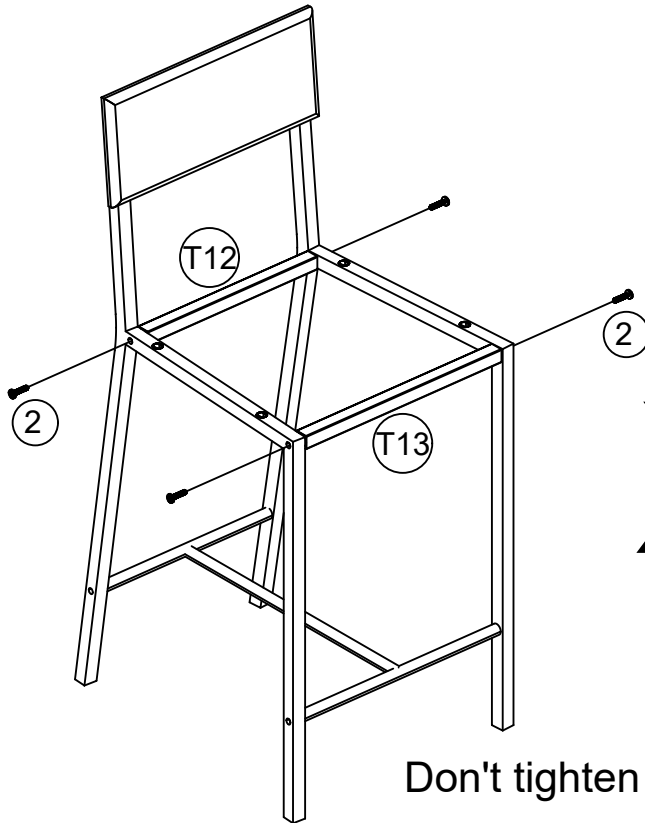
Don't tighten the screws too much.

3

M6x30mm



② x 16



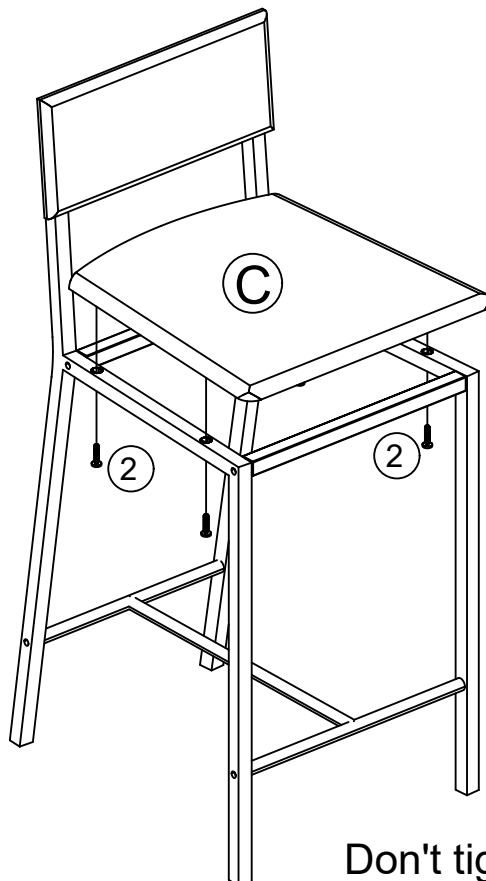
Don't tighten the screws too much.

4

M6x30mm



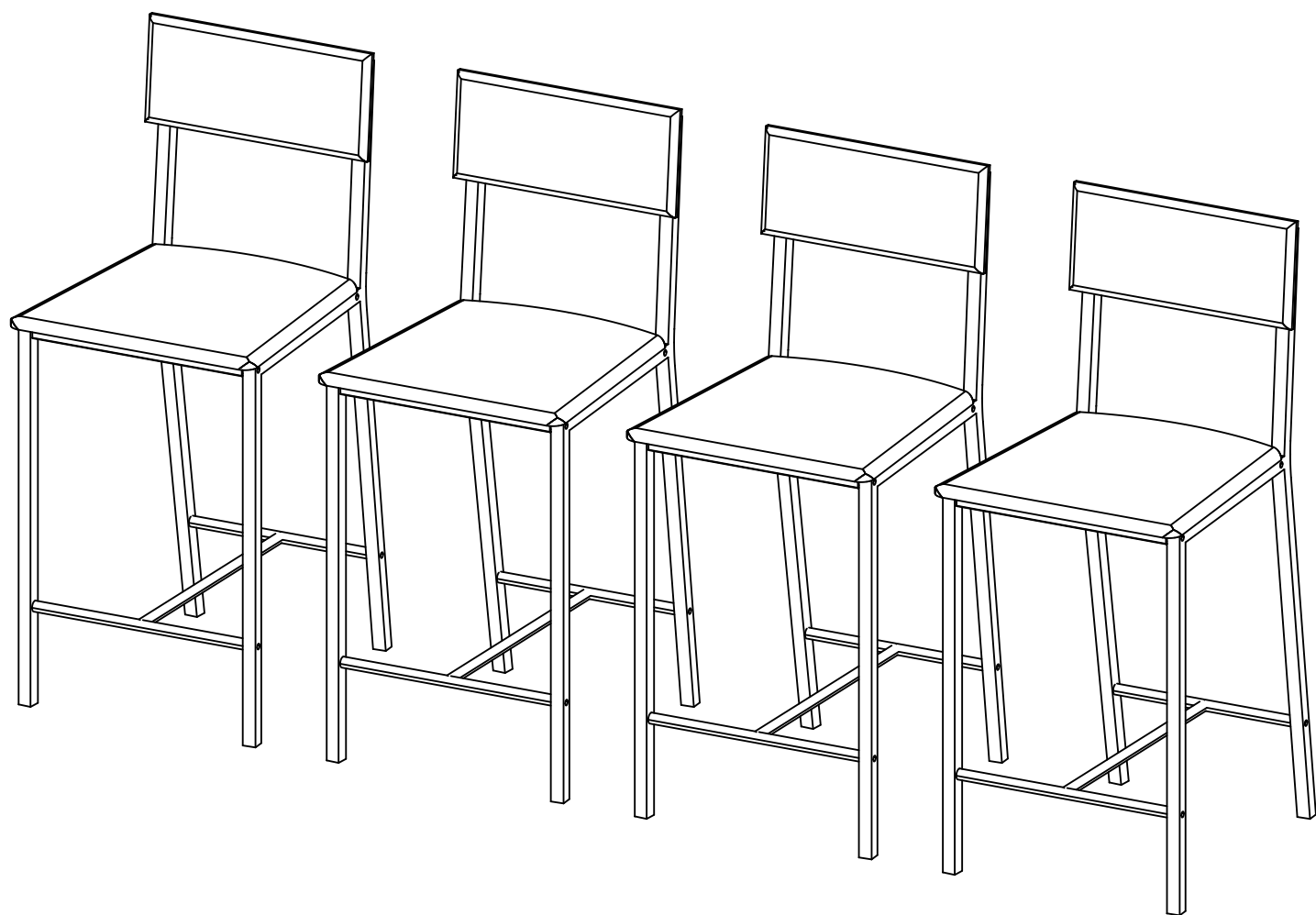
② x 16



Don't tighten the screws too much.

5

Finished assembly



Tighten all the screws !

CONTACT US

Dear customer, thank you for purchasing Idealhouse products! We are proud to present our customers with high quality products!



If you have any product quality or use problems, please contact our customer service by email, we will ensure your satisfaction.



If you are satisfied with our products, please share your amazing experience with us and other customers! It would be our honor to hear from you!



Customer Service Team: support@garvee.com

Limited Liability & Warning

No Unauthorized Modifications/Repairs: Do not modify or attempt to repair this product unless you are an authorized technician. Unauthorized actions may create hazards and void all warranties

Misuse & Non-Compliance: We are not liable for any injury, damage, or loss resulting from:

- (a) misuse, abuse, neglect, or improper installation;
- (b) failure to follow instructions or safety precautions;
- (c) use of unauthorized parts/accessories;
- (d) unauthorized modifications/repairs;
- (e) accidents, natural disasters, or external causes.

If you doubt any step of installation or operation, stop using the product and contact authorized service or the customer support.

LIMITACIÓN DE RESPONSABILIDAD Y ADVERTENCIA

Modificaciones o Reparaciones No Autorizadas: NO modifique ni intente reparar este producto a menos que sea un técnico autorizado. Las acciones no autorizadas pueden generar riesgos y anularán todas las garantías.

Uso Indebido e Incumplimiento: No asumimos responsabilidad alguna por lesiones, daños o pérdidas que resulten de:

- (a) uso indebido, abuso, negligencia o instalación incorrecta;
- (b) incumplimiento de las instrucciones o precauciones de seguridad;
- (c) uso de piezas o accesorios no autorizados;
- (d) modificaciones o reparaciones no autorizadas;
- (e) accidentes, desastres naturales o causas externas.

Si tiene dudas sobre algún paso de la instalación o el funcionamiento, deje de usar el producto y póngase en contacto con el servicio técnico autorizado o con atención al cliente.

GARVEE
support@garvee.com