


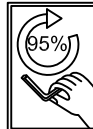
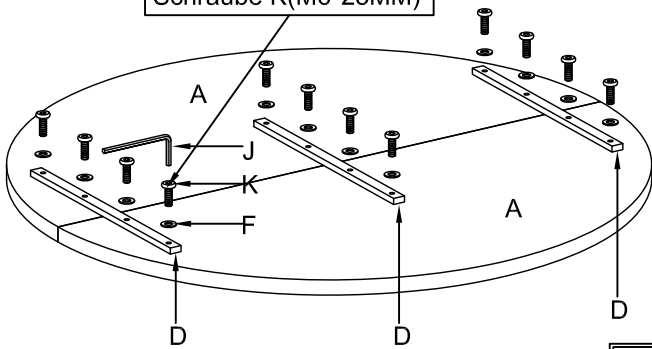
# Installation & Assembly

|   |                    |                    |                |                   |
|---|--------------------|--------------------|----------------|-------------------|
|  | Ax2                | Bx4                | Cx1            | Dx3               |
|   | Ex4                | Fx12<br>6x16x1.5mm | Gx4<br>8x50mm  | Hx4               |
|   | Ix4<br>8x16mm      | Jx1                | Kx12<br>6x25mm | Lx8<br>8x18x1.5mm |
|   | SPARE(Ersatzteile) |                    |                |                   |
|   | Ex1                | Fx1<br>6x16x1.5mm  | Gx1<br>8x50mm  | Hx1               |
| Ix1<br>8x16mm   | Kx1<br>6x25mm      | Lx1<br>8x18x1.5mm  |                |                   |

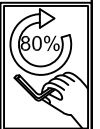
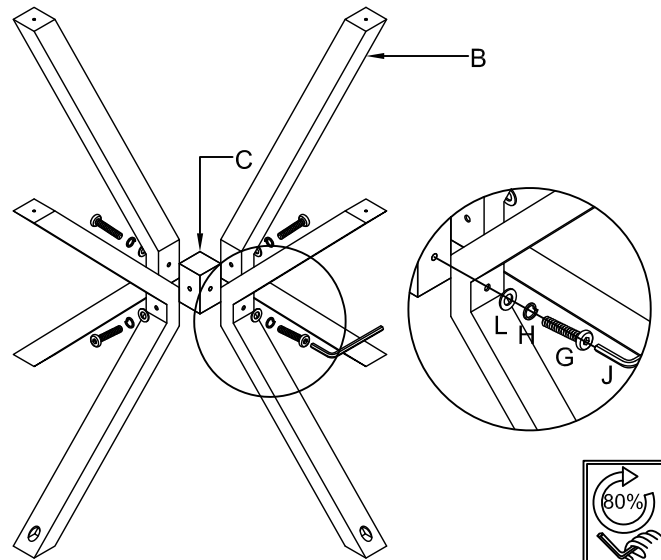
## Step1

Note: Please use screw K (M6\*25MM)

Hinweis: Bitte verwenden Sie Schraube K(M6\*25MM)



## Step2



## Step3

Note: Please use screw I (M8\*16MM)

Hinweis: Bitte verwenden Sie Schraube I(M8\*16MM)

