

ASSEMBLY INSTRUCTIONS

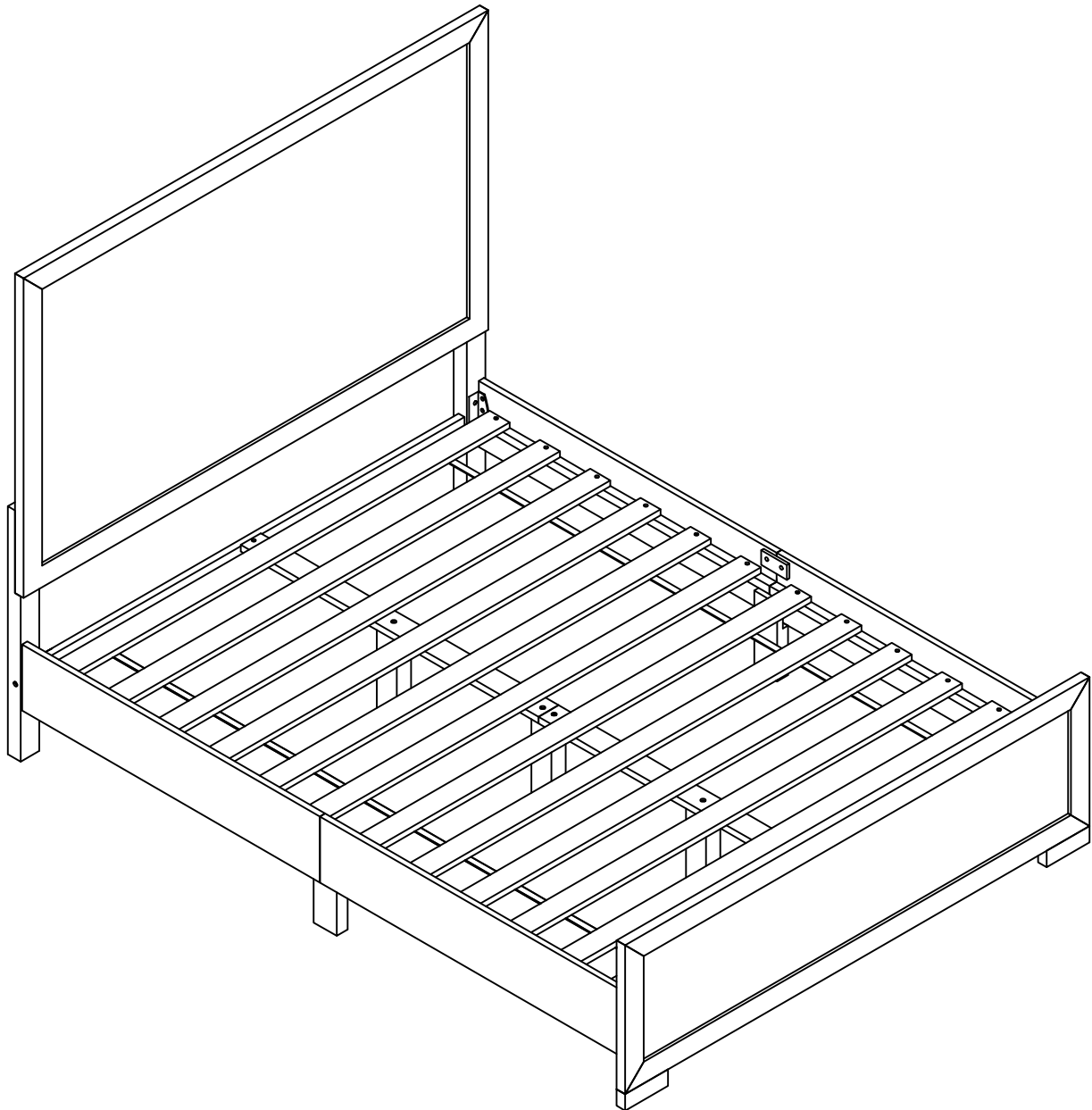
FULL-QUEEN-KING BED

READ this sheet prior to assembly to familiarise yourself with the various stages of construction. Carefully open the carton and check that you have all of the hardware and parts listed on the assembly instructions. Do not destroy any of the packaging until this has been confirmed.

CAUTION: There are small components used in the construction of this unit. These loose items should be kept away from young children while assembling your unit to avoid the danger of choking hazards.

INFORMATION:






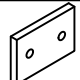
- Due to the size of this product we recommend that it is assembled in the room intended for use.
 - Check that all screws and bolts are tightened and inspect regularly.
 - Make sure the support legs remain in contact with the ground at all times.
 - DONOT use power tools to construct this product.
 - DONOT over tighten the screws or bolts.
 - DONOT tighten screws until the product is fully assembled
- Please retain these instruction for future reference



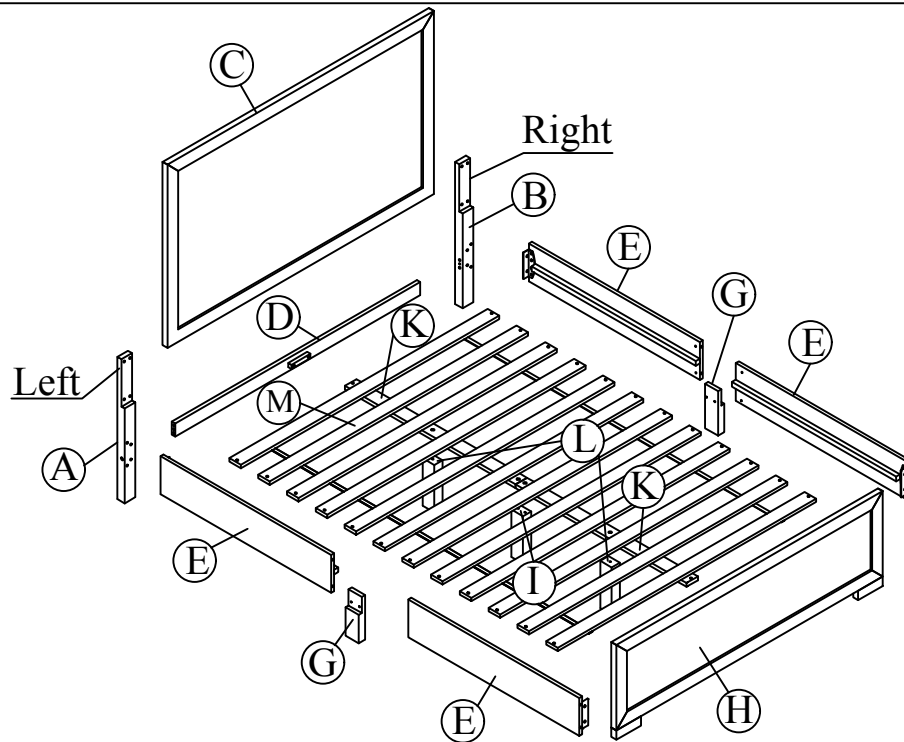
ASSEMBLY INSTRUCTIONS O FULL-QUEEN-KING BED

Before starting to assemble, please check that all parts and hardware are included in the box.

Hardware & illustration

No	Description	Qty
1	 Allen Key	1pc
2	 Ø1/4" x 15mm	12pcs
3	 4 x 30mm	26pcs
4	 Ø1/4" x 30mm	8pcs
5	 Ø10 x 40mm	16pcs
6	 Ø1/4" x 35mm	8pcs
7	 Ø1/4" x 90mm	2pcs
8	 Metal Bracket	2pcs




Part List & illustration

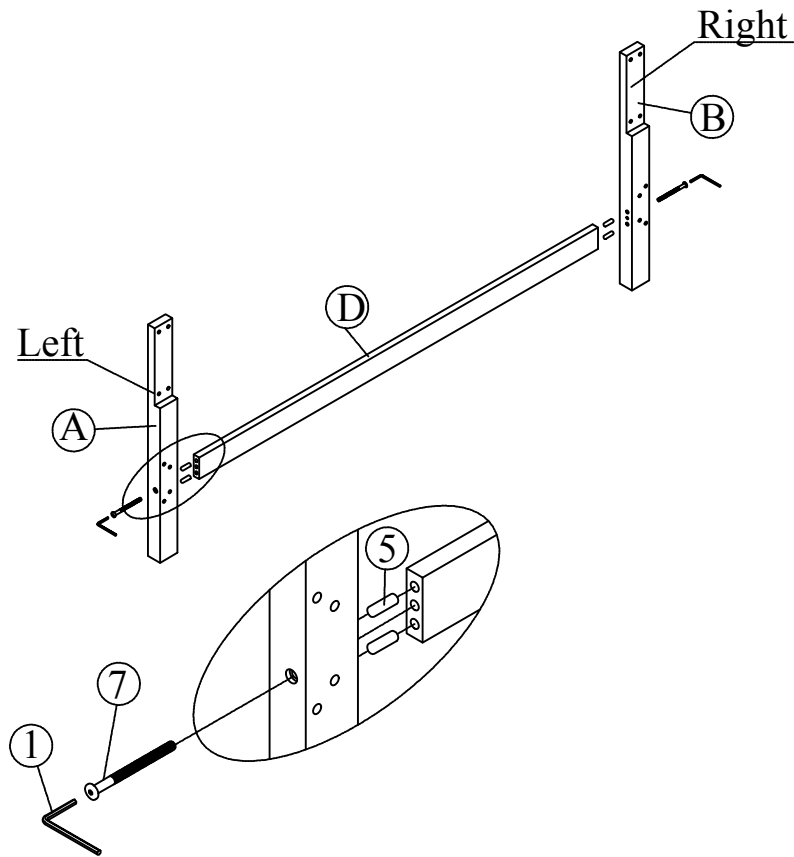


Part List & illustration



A	B	C	D	E	G	H	I	K	L	M
1pc	1pc	1pc	1pc	4pcs	2pcs	1pc	1pc	2pcs	2pcs	12pcs

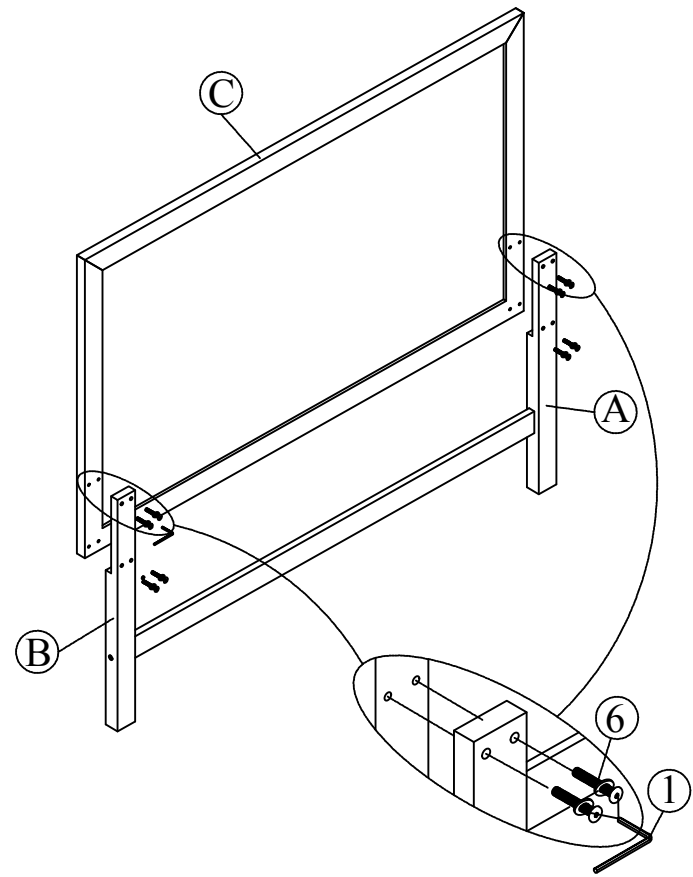
STEP 1

No	Description	Qty
1	 Allen Key	1pc
5	 Ø10 x 40mm	4pcs
7	 Ø1/4" x 90mm	2pcs




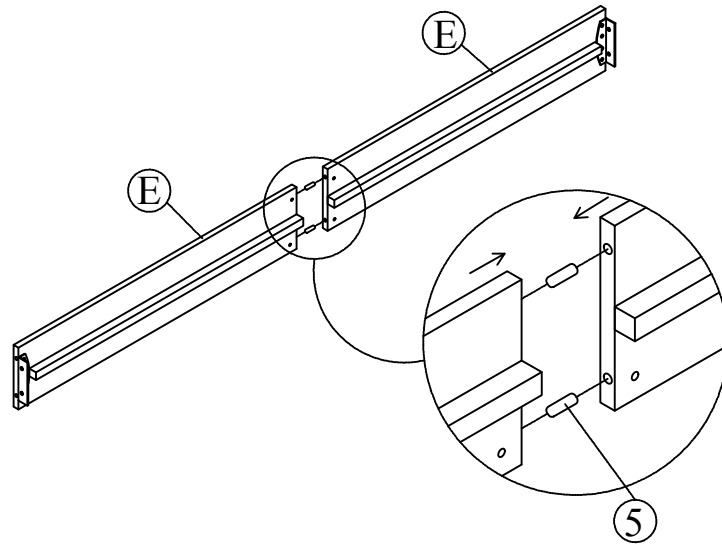
STEP 2

No	Description	Qty
1	 Allen Key	1pc
6	 Ø1/4" x 35mm	8pcs




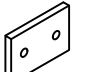


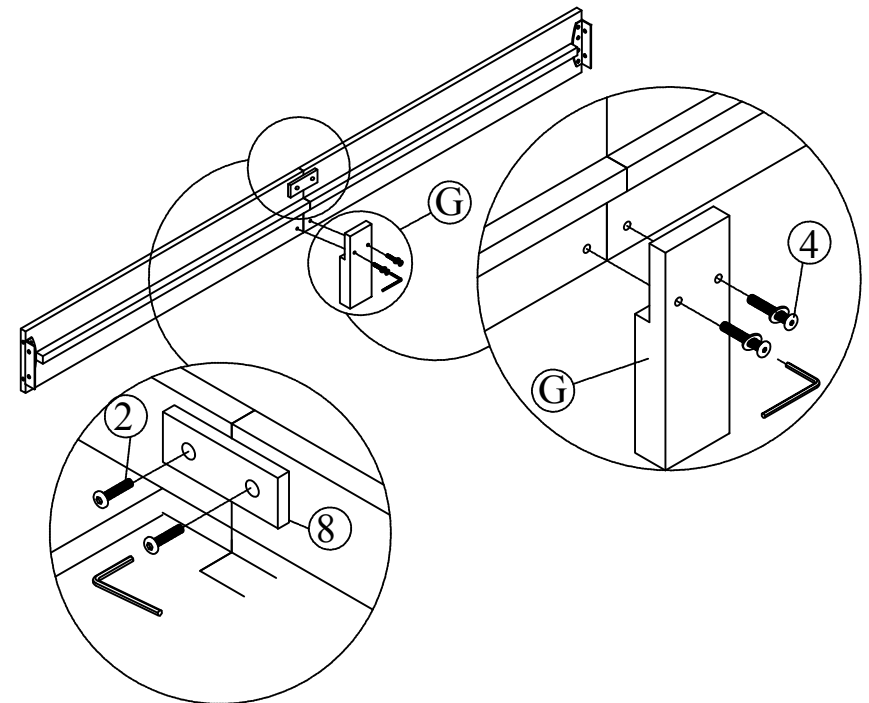
STEP 3

No	Description	Qty
5	 Ø10 x 40mm	4pcs

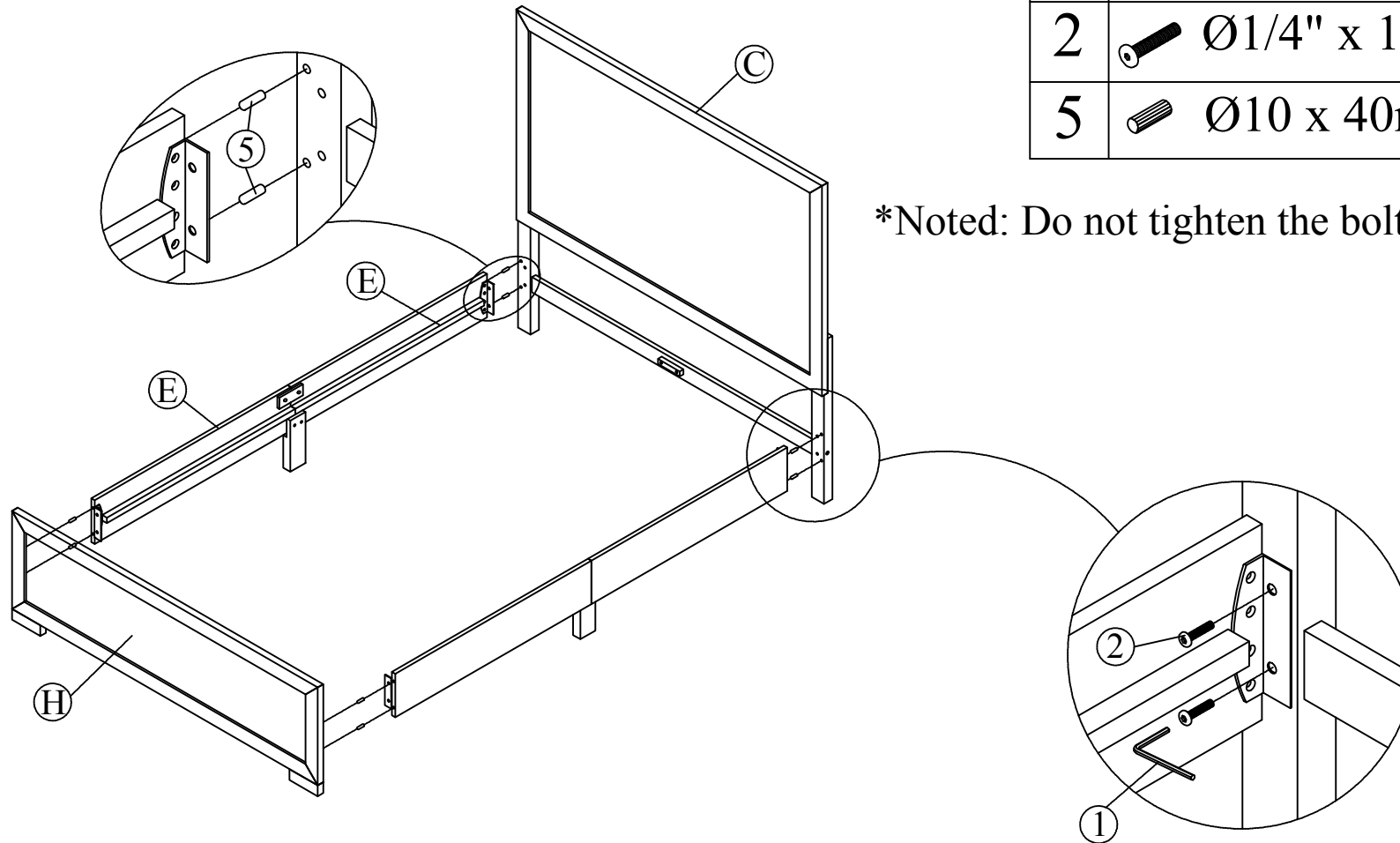





STEP 4

No	Description	Qty
1	 Allen Key	1pc
4	 Ø1/4" x 30mm	4pcs
2	 Ø1/4" x 15mm	4pcs
8	 Metal Bracket	2pcs

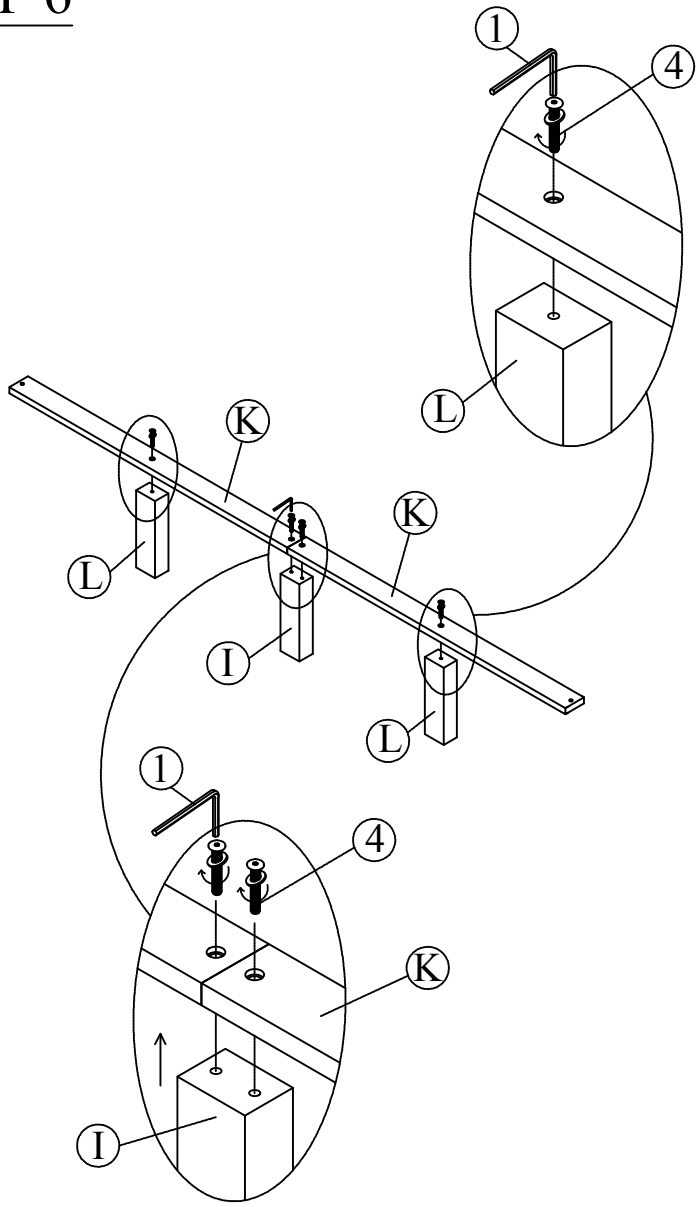





STEP 5

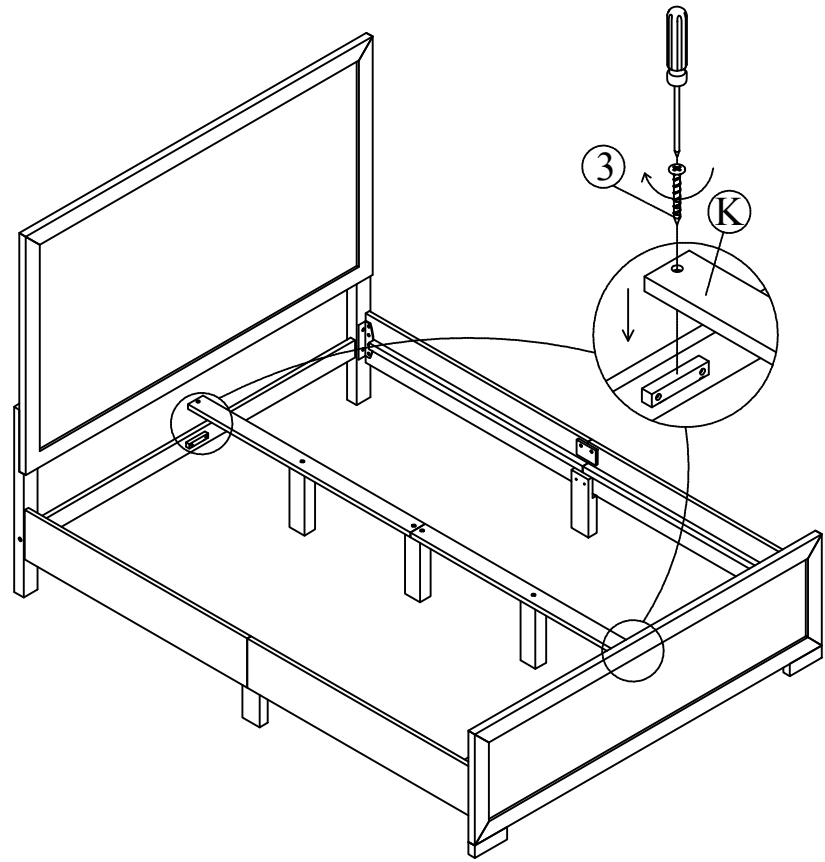


No	Description	Qty
1	 Allen Key	1pc
2	 Ø1/4" x 15mm	8pcs
5	 Ø10 x 40mm	8pcs

STEP 6



No	Description	Qty
1	 Allen Key	1pc
3	 4 x 30mm	2pcs
4	 Ø1/4" x 30mm	4pcs



STEP 7

No	Description	Qty
3	 4 x 30mm	24pcs

*Noted: After assembly is completed please tighten all bolts and screws.

