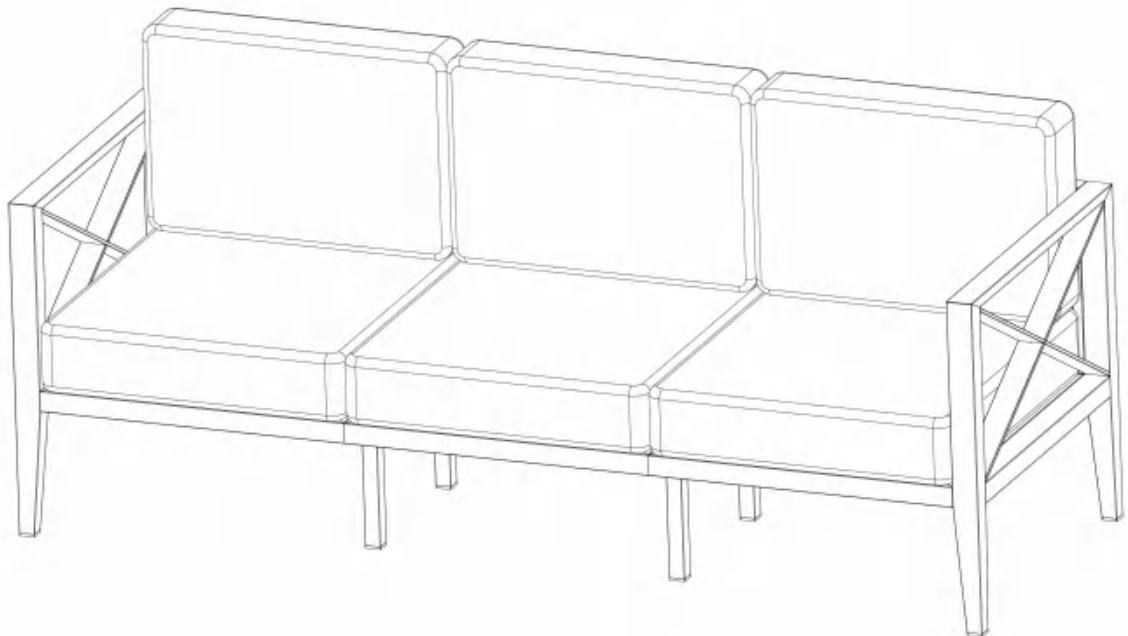




3-seat Sofa



PLEASE READ AND KEEP THE INSTRUCTIONS FOR FUTURE REFERENCE.

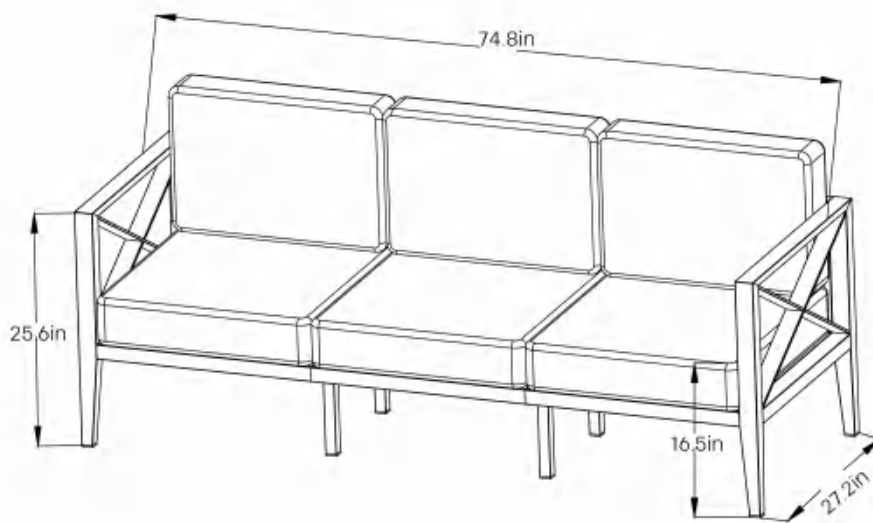
SPECIFICATIONS

Dimension :

Assembled Width: 27.2in

Assembled Height: 25.6in

Assembled Length: 74.8in



CONTENTS

Specifications.....	1
Content.....	2
Important.....	3
Parts List.....	4
Installation.....	6
Maintenance & Care.....	12

Dear Valued Customer,

Thank you for choosing our MBY premium Aluminum furniture. We hope this elegant and durable piece will bring comfort and style to your living space for many years to come. This instruction manual contains important information regarding assembly, safety, care, and maintenance. Please read it carefully before use and keep it for future reference.

We're Here to Help !

Email: support@hzgonglian.com
Website: www.maisonbackyards.com
WhatsApp: +1(425)2475085
Response time: 24-48 hours

IMPORTANT

To prevent injury or damage, follow these safety precautions:

Assembly: Ensure all components are securely tightened during assembly. Periodically check and retighten as necessary.

Stability: Place the furniture on a flat, level surface to prevent tipping.

Children & Pets: Supervise children and pets around the furniture. Do not allow children to climb or play roughly on the furniture.

Moving: Always lift the furniture when moving. Dragging can damage the table legs. For larger items, seek assistance.



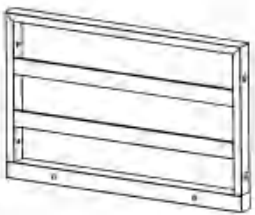

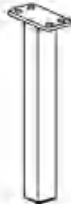

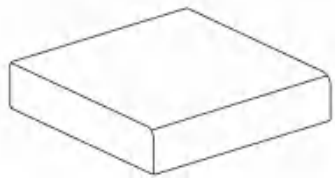
Outdoor Use : Although designed for outdoor use, prolonged exposure extreme weather conditions (heavy rain, snow, intense sunlight) may affect longevity. Consider using furniture cover when not in use for extended periods.

Cleaning: Use only recommended cleaning methods as outlined in this manual.








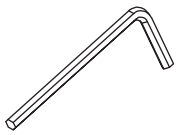

Scan the QR code to learn more about our product



PARTS LIST BOX

<p>Ⓐ × 1</p> 	<p>Ⓑ × 1</p> 	<p>Ⓒ × 3</p> 
Right Armrest	Left Armrest	Backrest
<p>Ⓓ × 3</p> 	<p>Ⓔ × 4</p> 	<p>Ⓕ × 3</p> 
Seat Plate	Sofa Legs	Back Cushion
<p>Ⓖ × 3</p> 		
Seat Cushion		

PARTS LIST (Screw Set)

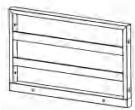
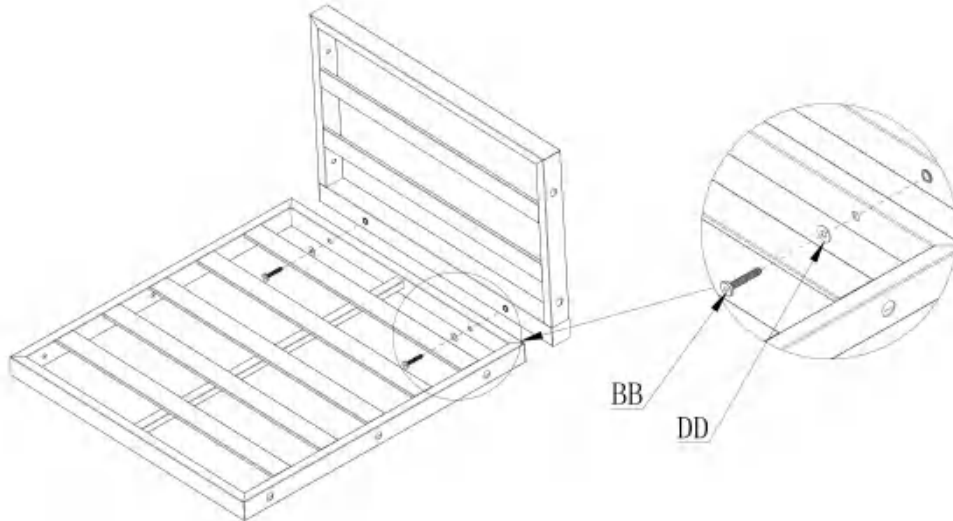
<p>Ⓐ × 16</p> 	<p>Ⓑ × 16</p> 	<p>Ⓒ × 10</p> 	<p>Ⓓ × 42</p> 
Bolt M6 x15	Bolt M6 x35	Bolt M6 x50	Washer M6
<p>Ⓔ × 10</p> 	<p>Ⓕ × 42</p> 	<p>Ⓖ × 10</p> 	<p>Ⓗ × 1</p> 
Screw Nut	Bolt Caps	Nut Caps	Spanner
<p>Ⓙ × 1</p> 			
Wrench			

Step 1

Attach the Backrest(C) to the Seat Plate(D) with bolts (BB) and washerS(EE)

****Follow the same step to install the other two backrests and seat plates**

NOTE: please do not fully tighten the bolts to allow for further adjustment.



C x3



D x3



BB (M6*35) x 6

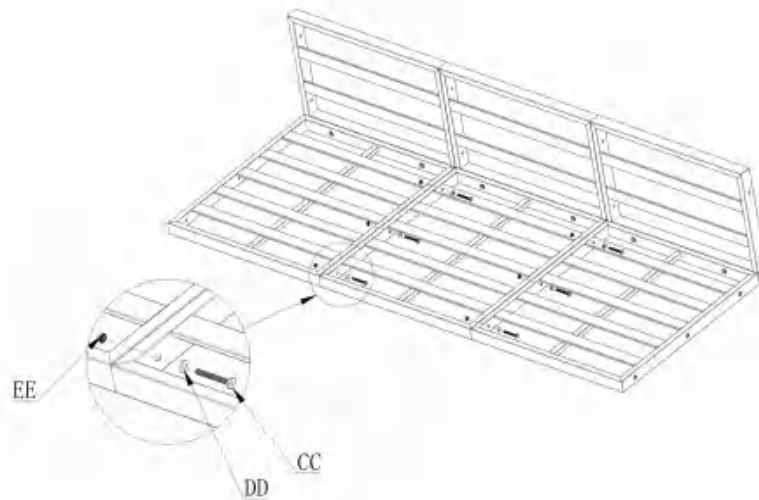


DD (M6) x 6

Step 2

Connect the three sofa plates with bolt (CC) , screw nut(EE) and washers (DD).

NOTE: please do not fully tighten the bolts to allow for further adjustment.



CC(M6*50) X6



DD(M6) x6

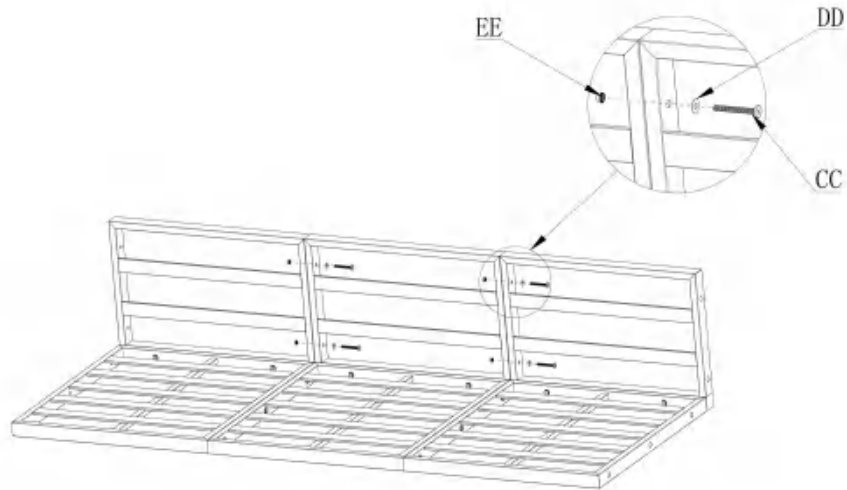


EE(M6) X6

Step 3

Connect the three sofa Backrests with bolt (CC) , screw nut(EE) and washers(DD).

NOTE: please do not fully tighten the bolts to allow for further adjustment.



CC(M6*50) X4



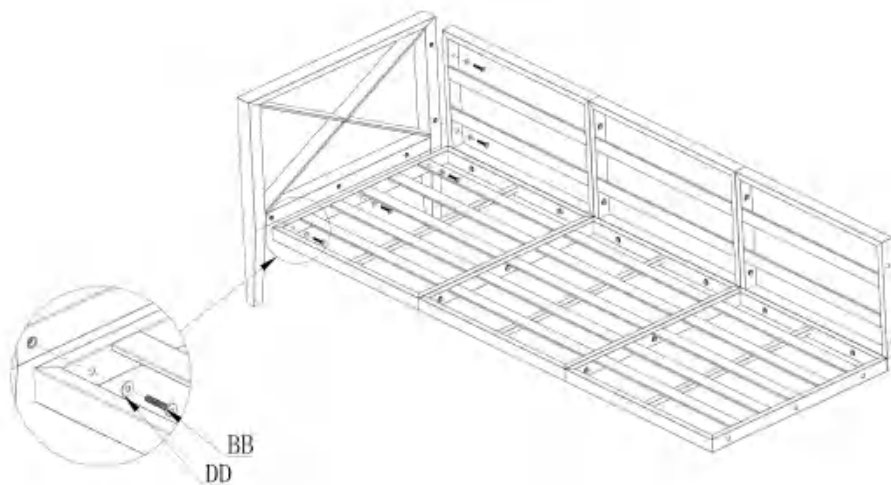
DD(M6) x4



EE(M6) X4

Step 4

Attach the right Armrest(A) to the seat plate and backrest with bolt (BB) and washers(DD).



A x1



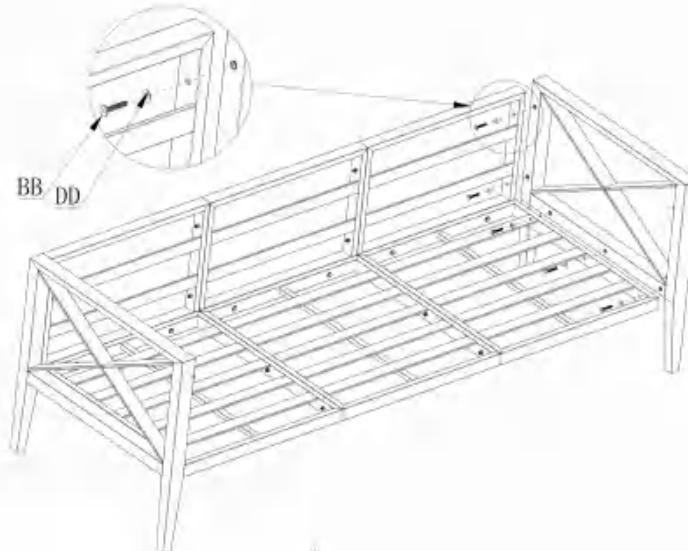
BB(M6*35) x 5



DD (M6) x 5

Step 5

Attach the Left Armrest(B) to the seat plate and backrest with bolt (BB) and washers(DD).



B x1



BB(M6*35) x 5

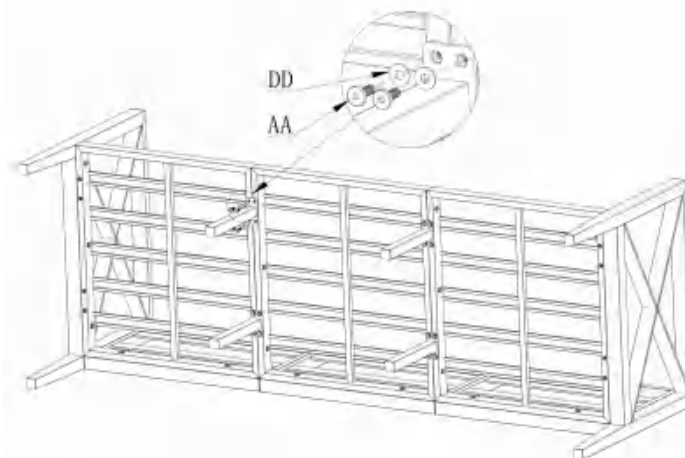


DD(M6) x5

Step 6

Attach the sofa legs to the seat plate and secure them with bolts (AA) and washers(DD)

NOTE: please tighten all the bolts.



E x 4



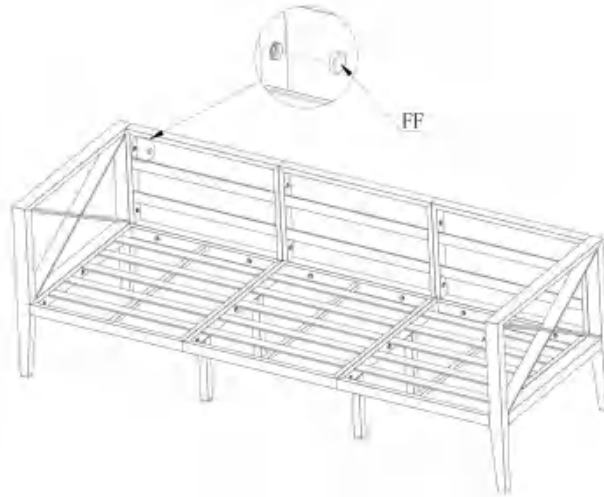
AA(M6*15) x16



DD (M6) x16

Step 7

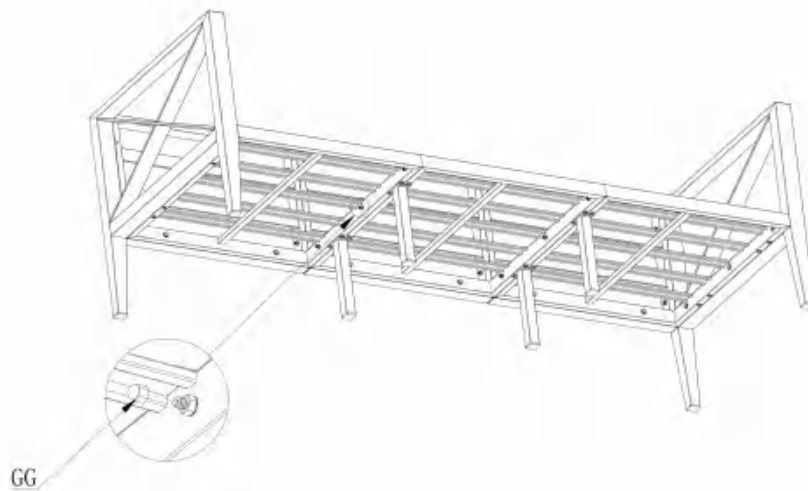
Press the Bolt Caps (FF) onto the Bolts



FF x42

Step 8

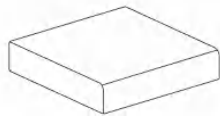
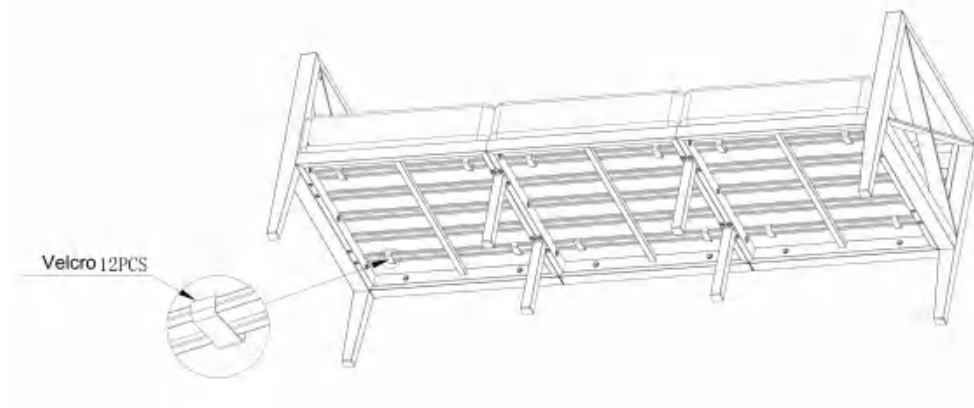
Screw the Nut Caps (GG) onto the Nuts.



GG x10

Step 9

Place the Seat Cushions onto the sofa and secure them with Velcros.

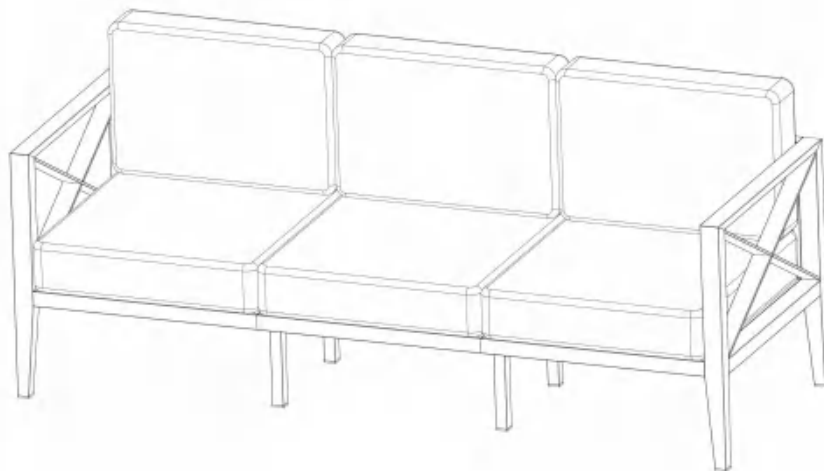


G X 3

Step 10

Place the Back Cushions(F) onto the Sofa.

The 3-seat sofa is ready for use now.



F X 3

Sofa cover washing instruction



Back pillow



Take the back insert
out of the fabric cover



Wash the cloth cover
after removing it



Seat Cushion



Take the cushion insert
out of the fabric cover

Maintenance and Care

To preserve the quality and appearance of your outdoor aluminum Furniture , follow these guidelines:

Cleaning – Wipe surfaces regularly with a soft, damp cloth and mild soap solution. Avoid abrasive cleaners or harsh chemicals that may damage the finish. Dry thoroughly to prevent water spots.

Protection – Apply a UV-resistant furniture wax or protective coating every 3-6 months to maintain the aluminum ' s resistance to weathering and oxidation.

Stain Removal – Address spills promptly. For stubborn stains, use a non-abrasive cleaner diluted in warm water. Test on an inconspicuous area first.

Scratch Prevention – Avoid placing sharp or heavy objects directly on the furniture . Use coasters or placemats to protect the surface.

Storage

If the sofa set is not in use for extended periods, cover the furniture or store it indoors i n a dry, cool location to prevent damage from weather or dirt.