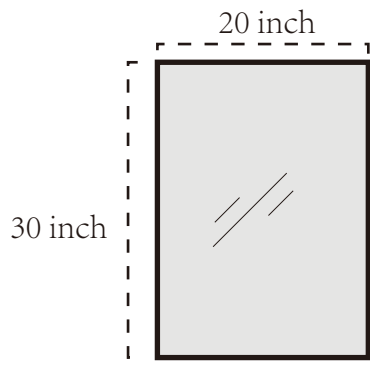


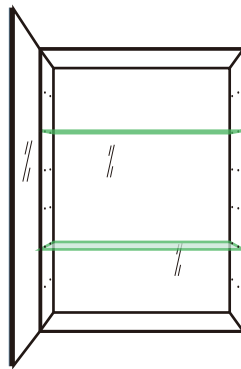
# INSTALLATION MANUAL

## HIGH QUALITY MEDICINE CABINET

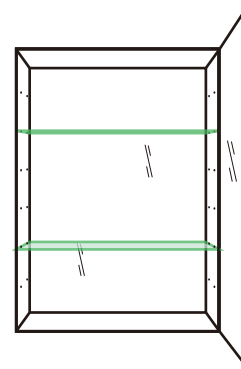
BUILD FOR LUXURY LIFE SPACE



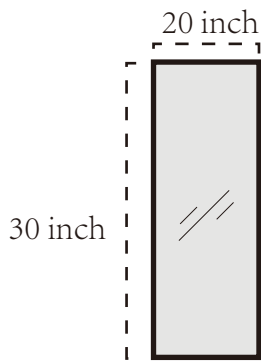
A



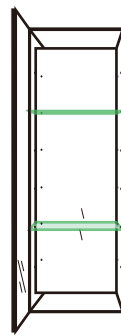
LEFT HINGE



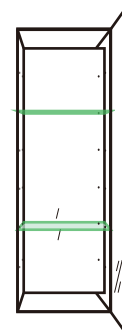
RIGHT HINGE



B



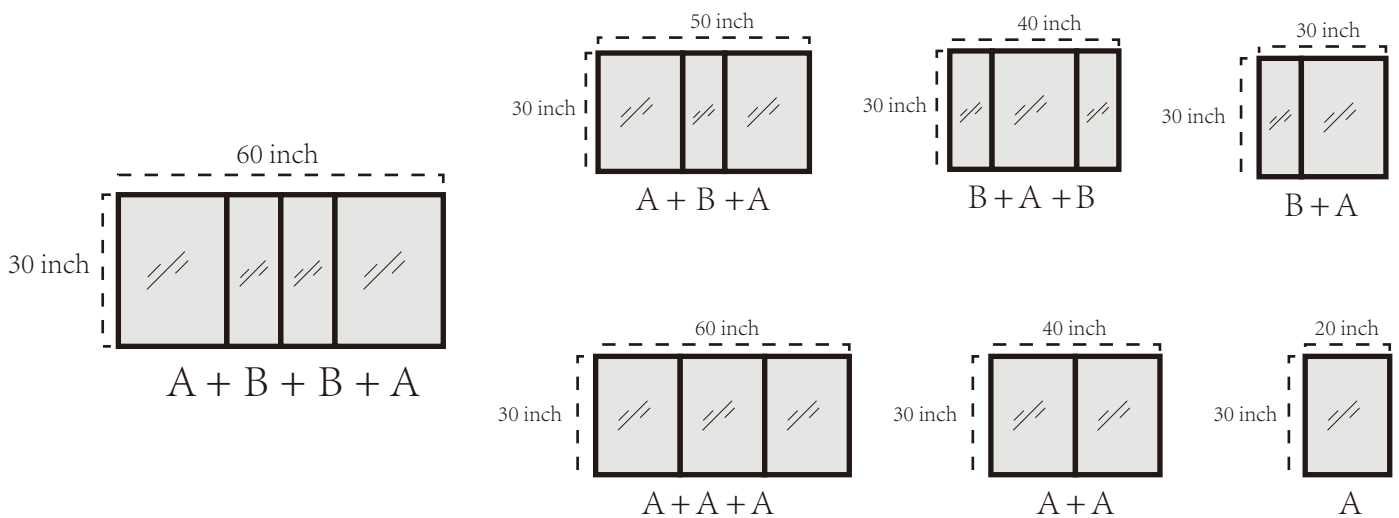
LEFT HINGE



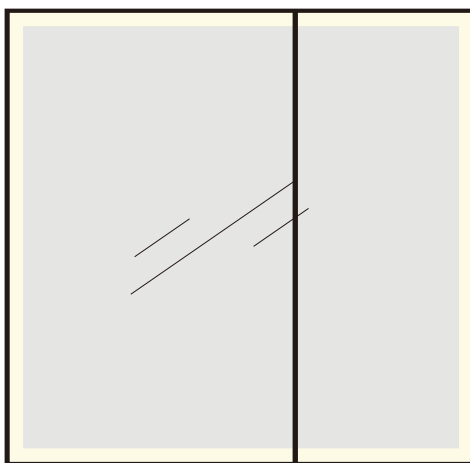
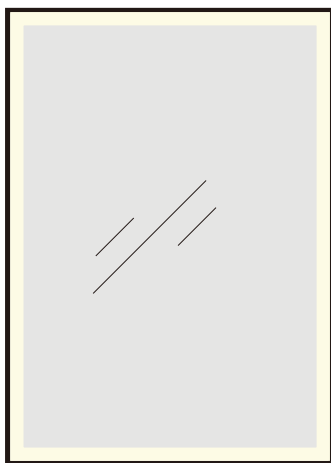
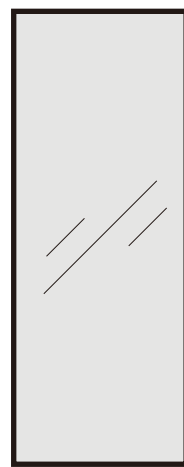
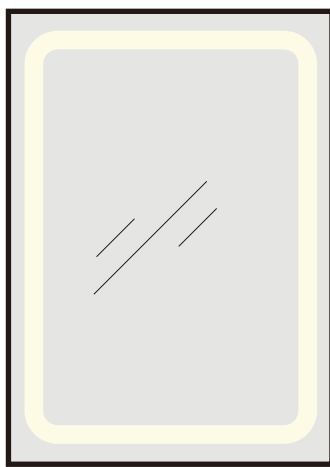
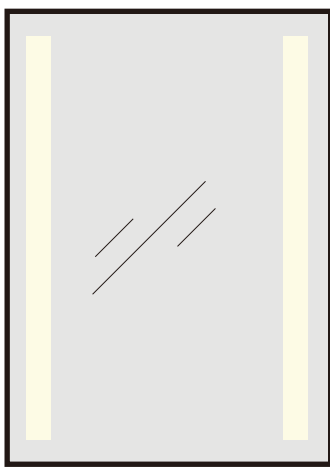
RIGHT HINGE

## CREATE YOUR LUXURY BATHROOM SPACE

ACCORDING TO YOUR BATHROOM SPACE AND DESIGN NEEDS, YOU CAN FREELY COMBINE THE SIZE WHICH SUITABLE FOR YOU.



# **MORE STYLE COLLECTIONS FOR YOU**



# PRODUCT FUNCTION INSTRUCTIONS



- Touch key to turn on/off defogging function. When defogger is on, the button should be in blue color.
- Single click to turn ON/OFF the defogging function. The anti-fog function will be activated after you turn ON 5 mins. It will automatically turn off after one hour to prevent the mirror from overheating and save energy. If you want to extend use, you have to turn ON again.



## ON/OFF, Brightness Control, and Color Temperature Selection



- The lighting color temperature will be changes with each short press
- Click the light button to turn on and the color changes to white
- Double click to select among three color temperatures.



LED



- Press and hold the button to adjust the brightness.
- Long press to make the light gradually dims
- Long press again and the light gradually brightens

When you adjust to your favorite color temperature, long press the button, you can adjust the brightness of the color temperature, click again, you can adjust to another color temperature.



**Memory function:** The mirror cabinet will record the color temperature and brightness of your last setting. It will remain the same brightness and color temperature as the last settings before it was turned off, no need to adjust it again and waste time every time.

# BEFORE INSTALLATION

Thank you for choosing BESTGO products. To ensure the best experience, please read carefully and follow the instructions provided below before assembling and installing the product.

## 1. Pre-assembly:

- Inspect the product immediately upon receipt for any transit damage or missing parts.
- The voltage for your BESTGO product should be between 100V and 120V. If the voltage exceeds 120V, please use a transformer.
- You can connect the wires directly to your junction box or plug.

## 2. Important Safety Instructions:

- Assemble the product by two or more adults to ensure proper installation.
- To connect the wires to the electrical junction box, a qualified technician or electrician is highly recommended.
- Disconnect power before installing, adding, or changing any components.
- Make sure that the fixing location can support the weight of the entire fixture (e.g, solid stone or brick walls).
- To prevent injury, the mirror cabinet must be installed according to the instructions provided.

## 3. Before installation

Please check and make sure that the mirror cabinet is functioning properly.



### \*\*\*\*\*IMPORTANT NOTICE\*\*\*\*\*

We will guarantee all customer benefit. The products we ship out are brand new. Please check carefully before installation, compare all parts with the parts listed in the package contents section. If any part appears missing or damaged, do not install.

Contact customer service

Send us the pictures or video, we promise will response to you with 24 hours.

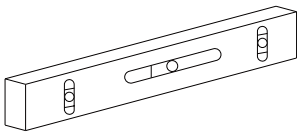
We will decide send you spare parts or deliver a replacement by free.

# SPECIFICATIONS

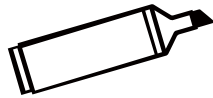
| PARAMETER           | SPECIFICATION      |
|---------------------|--------------------|
| Color Temperature   | 3000K-6500K        |
| Input Voltage       | AC100-120V         |
| Output Voltage      | 12V DC             |
| CRI                 | ≥90 Ra             |
| Working Temperature | -20~45°C           |
| Life Span           | 50000 hours        |
| Anti-fog            | Yes                |
| Nema Rate           | 3                  |
| Wiring Method       | Hardwired /Plug-in |
| Switch              | Touch Sensor       |

**Warranty:** 1 years from the date of purchase

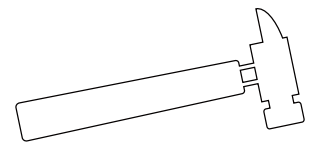
## TOOLS REQUESTED



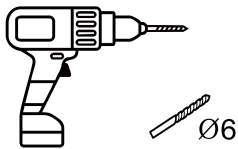
Level Ruler



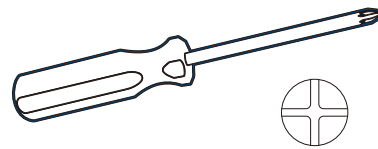
Marker



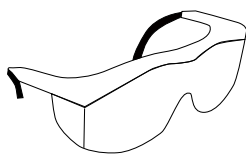
Hammer



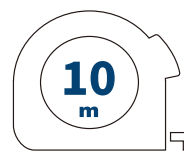
Electric Drill



Phillips Screwdriver



Safety Goggles

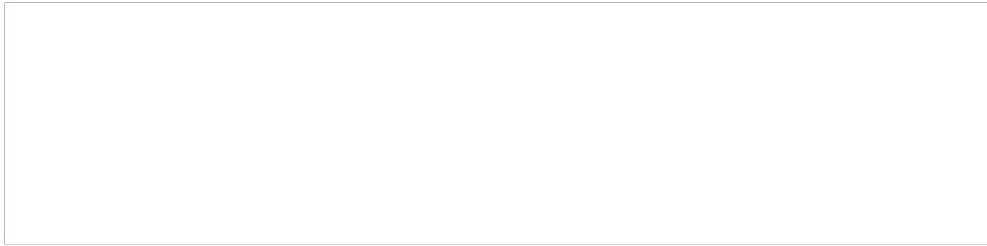


Tape Measure

# INSTALLATION PACKAGE KIT INCLUDED



**Do Not Return Product to the Store. Contact service team with any questions**



## **USE AND MAINTENANCE**

The interior is constructed of mirrored glass and aluminum. Use only a damp cloth to clean. Ammonia or vinegar-based cleansers can damage mirrors. When cleaning, spray the cloth, not the mirror, or surrounding surfaces. Do not use abrasive cleansers on any part of the light fixture.

## **EXTENDED WARRANTY SERVICE**

Please send your Purchasing Order No. to register extended 2 years warranty on hardware components. We provide ourselves with a 100% Customer Satisfaction Guarantee. We are confident in our products and stand behind them 100%, just reach to us with any questions or concerns and we will be happy to help in less than 24 hours!

# IMPORTANT SAFETY INSTRUCTIONS

When using an electrical furnishing, basic precautions should always be followed, including the following:

**⚠ WARNING:** To reduce the risk of burns, fire, electric shock or injury to persons. Use this furnishing only for its intended use as described in these instructions. Do not use attachments not recommended by the manufacturer. Never drop or insert any object into any opening. Do not use outdoors.

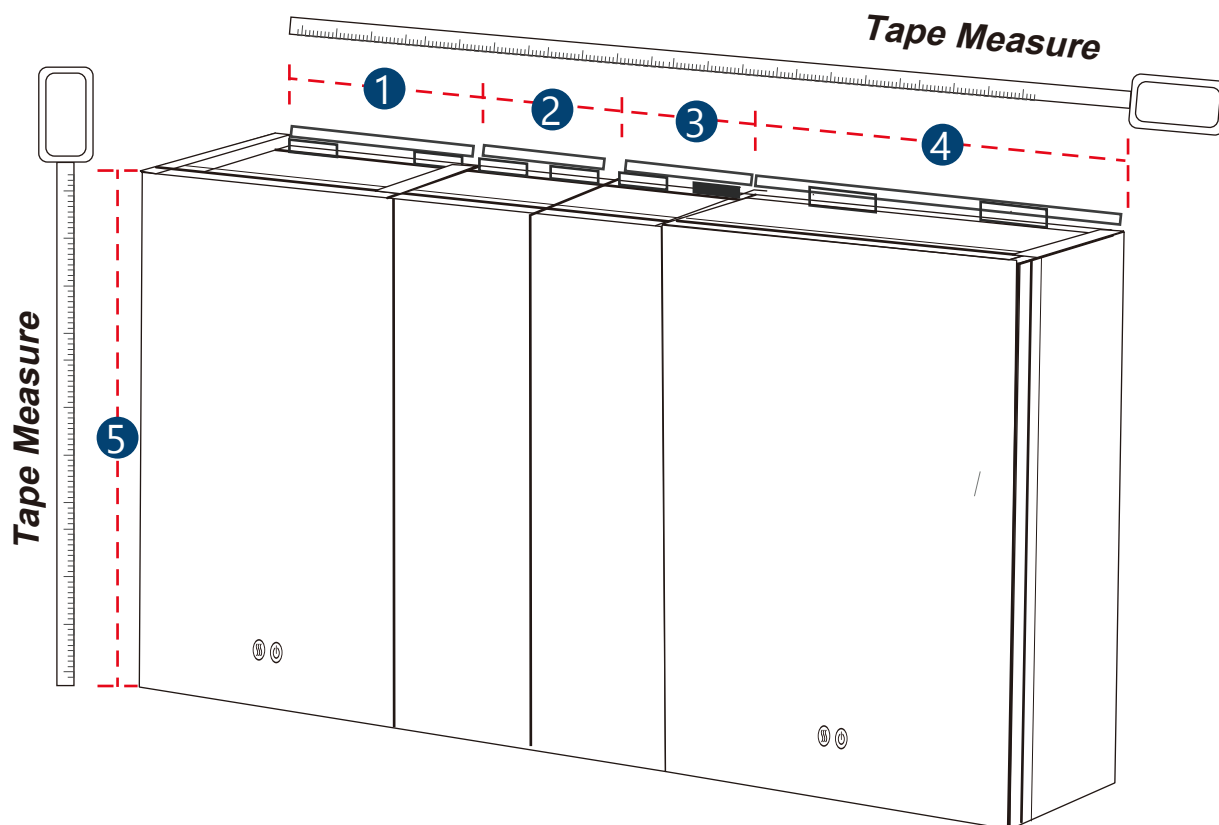
**⚠ WARNING:** Risk of electric shock. Connect this furnishing to a properly grounded circuit only. See grounding instructions.

**⚠ CAUTION:** Maximum shelf load 34lbs/15.4kg

## 60 inch Installation

### Step 1

Unpack all the packaging, take out the mirror cabinet, and put it together to measure the total size of the mirror cabinet combination

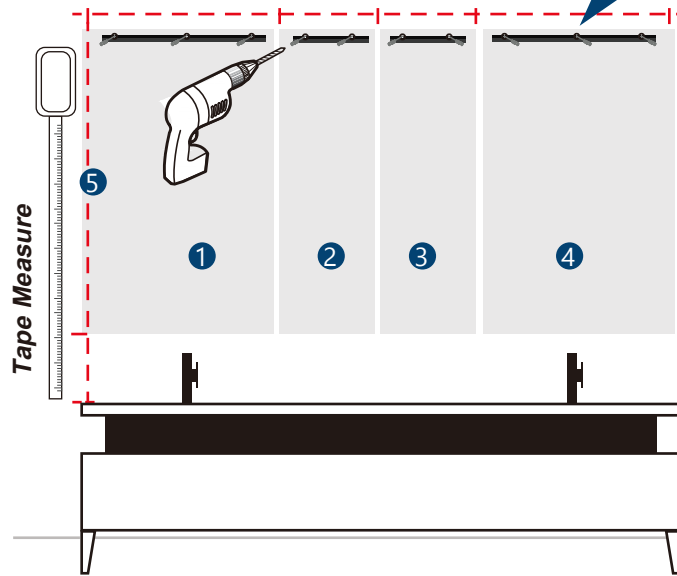
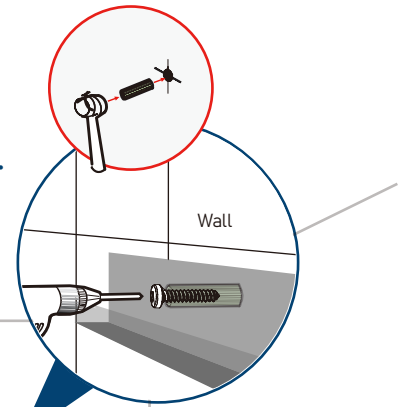


## Step 2



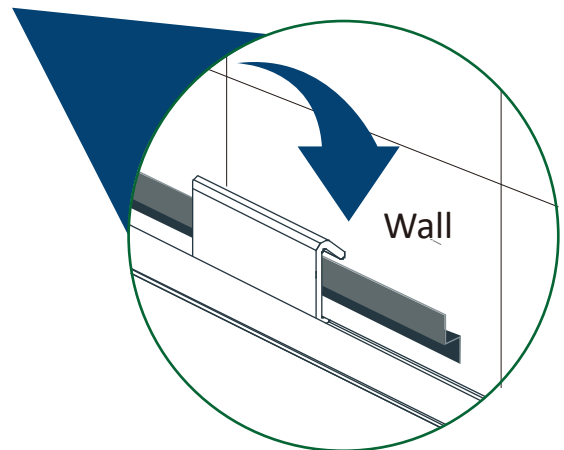
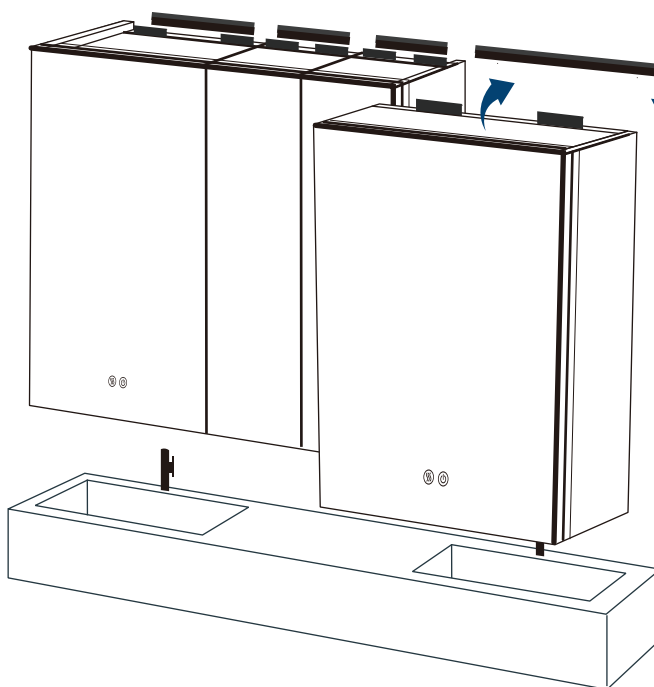
Level and mark the cabinet's location on the wall.  
Fix Top Mounting Bracket on the Wall

Measure the distance  
between the holes  
in the Top Mounting Bracket.

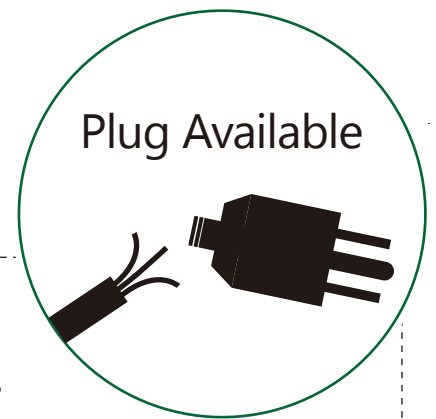


## Step 3

Hanging the Cabinet on the top mounting  
bracket. Make sure top brackets are  
locked in the grooves.



## Step 4



### HARDWIRED:

- Connect the head of plug and hardwire it into an outlet.

Black wire --- power supply L(LIVE)

White wire --- power supply N(NEUTRAL)

Green wire --- power supply E (EARTH)

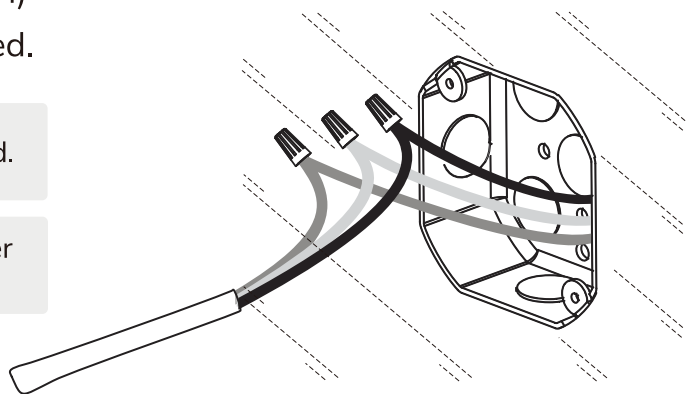
WARNING: This mirror must be earthed.



**WARNING:** This mirror must be earthed.



**REMINDER:** Please make sure the power is cut off before installation.



ALL WIRING SHOULD BE DONE BY A QUALIFIED LICENCED ELECTRICIAN.



**WARNING:** Requires 120 VAC 20 Amp GFI protected Circuit.

### GROUNDING INSTRUCTIONS:



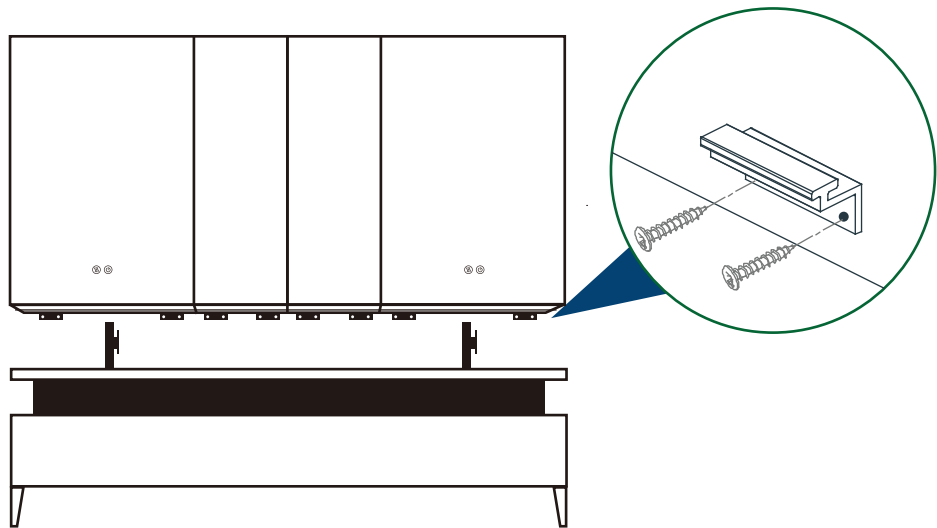
**CAUTION:** This product must be connected to a grounded metal permanent wiring system or an equipment-grounding conductor must be run with the circuit conductors and connected to the equipment grounding terminal or lead on the product.



**WARNING:** An Electrical option Mirror must be wired to a 20 Amp GFI (Ground Fault Interrupter) protected circuit when used in bathrooms and all other locations required by the National Electric Code.

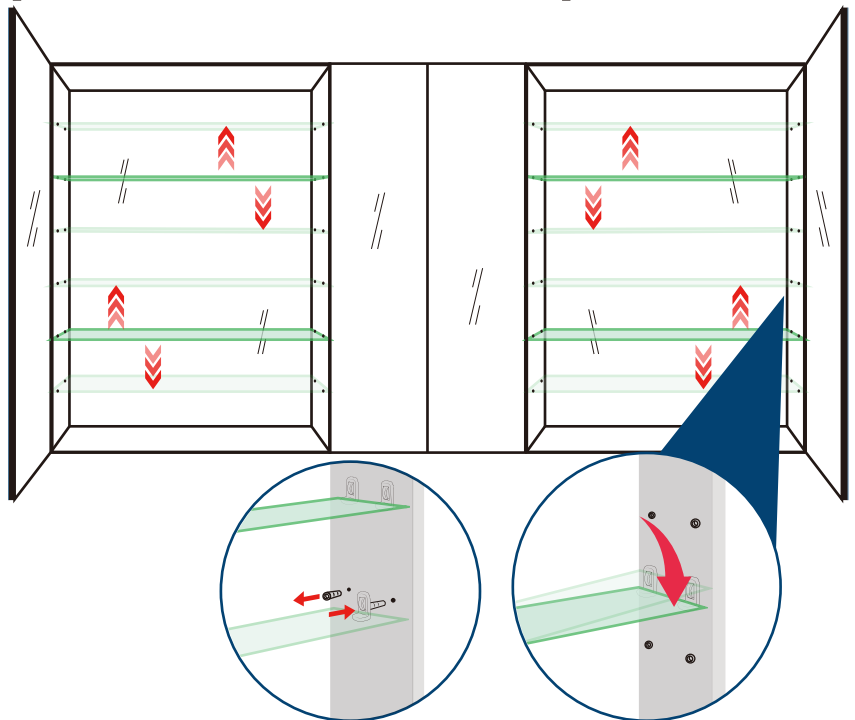
## Step 5

Move the cabinet to the right position and screw in the bottom supporting bracket and fix it.

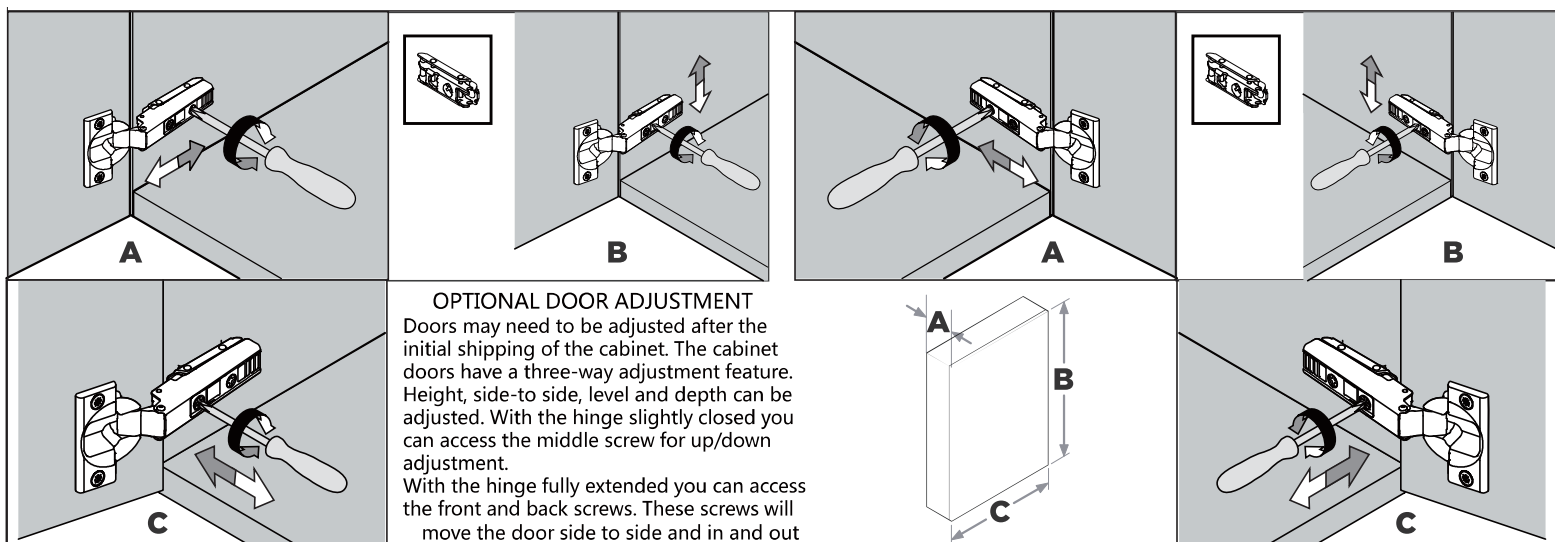


## Step 6

According to your own needs and preferences, adjust and install the height of the glass shelves, first insert the transparent glass clip, then put the glass shelves on the clip, pay attention to the level of the glass.



**Step 7** If the cabinet door does not close well or unbalanced, it is necessary to adjust the hinge.



**OPTIONAL DOOR ADJUSTMENT**  
Doors may need to be adjusted after the initial shipping of the cabinet. The cabinet doors have a three-way adjustment feature. Height, side-to side, level and depth can be adjusted. With the hinge slightly closed you can access the middle screw for up/down adjustment.  
With the hinge fully extended you can access the front and back screws. These screws will move the door side to side and in and out