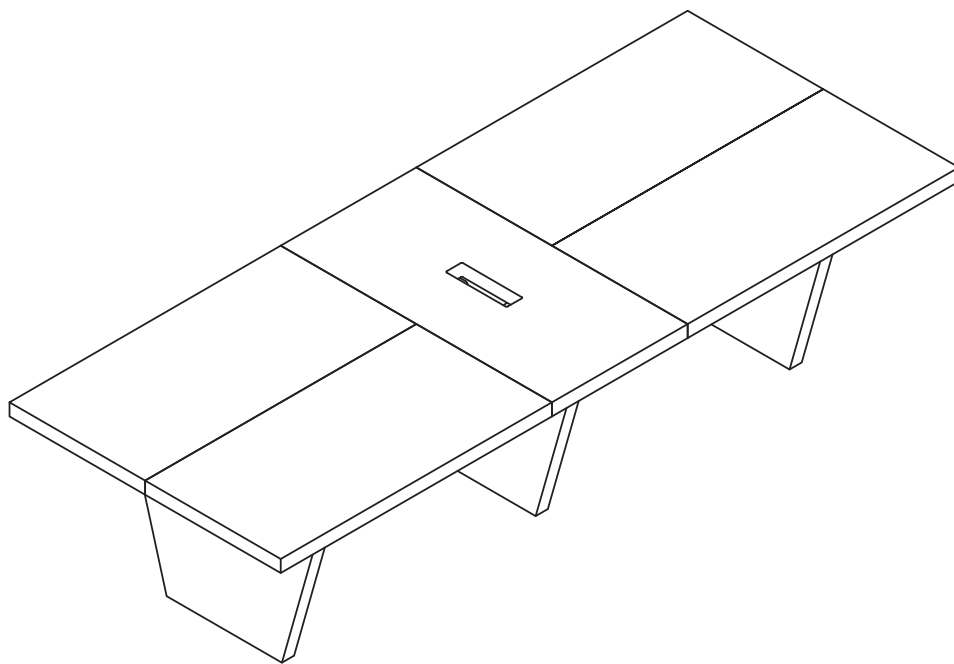


INSTALLATION

Product Manual





Product name: 9.8 FT CONFERENCE TABLE


Product Size: 118.1 X 47.2 X 29.5 INCH


Conference Table – Installation & Safety Instructions


English Version (U.S.)


 **Check Parts:** Open the package and verify all tabletop panels, legs, screws, and accessories are complete and undamaged. Compare with the included checklist. If any part is missing or damaged, contact the seller immediately.


 **Tools Needed:** Prepare a Phillips screwdriver, small wrench, and rubber mallet. You may use a power screwdriver at low speed, but hand-tighten all screws at the end to ensure stability.


 **Team Assembly:** Due to the large tabletop size, at least 2 people are required for lifting and assembly. Never attempt to move or install it alone to avoid injury or damage.


 **Area Setup:** Choose a wide, flat area. Keep the workspace clean and assemble near the final placement location to reduce moving distance.

 **Protection:** Place a soft cloth or cardboard on the floor. Position the tabletop face down during installation to prevent scratches.


 **Screw Installation:** Align screws straight with pre-drilled holes. Insert screws two-thirds, adjust alignment, and then fully tighten to ensure stability. Avoid over-tightening.


 **Safety:** Keep children and pets away. Work in a dry, stable environment. Be careful with tools and sharp edges.

 **Cooperation:** One person supports the tabletop while another secures the legs and beams. Always flip the table upright with at least two people.

 **Stability Check:** After installation, check all screws are tight and legs are level. Adjust leveling feet if needed.


 **Cleaning:** Wipe with a dry, soft cloth. Avoid wet cleaning or harsh chemicals.


 **Humidity:** Maintain indoor humidity at 40–60%. Avoid excessive moisture or dryness to prevent warping or cracking.


 **Sunlight:** Avoid direct sunlight exposure to prevent fading or cracking. Use curtains or blinds if necessary.


 **Load Capacity:** Do not stand or place overly heavy objects on the tabletop. Distribute weight evenly.


 **Maintenance:** Check screw tightness every few months and retighten if loose.

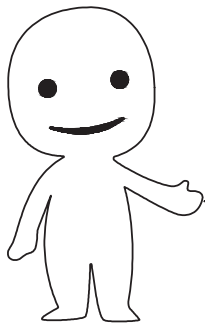
 **Child Safety:** Keep small children away during assembly and daily use. Do not allow children to climb or play on the table.

 **Read Carefully:** Please read all instructions thoroughly before installation.

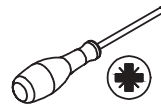
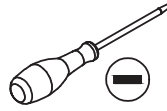
 **Installation Questions:** If you have any questions during assembly, contact the seller for guidance.

 **Returns:** As this is a large item, contact the seller before returning to confirm the return address and method. Keep packaging intact to avoid transport damage.


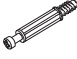




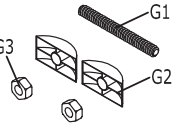



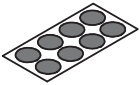

 **Replacement Parts:** If parts are missing or damaged, contact the seller for free replacement or reshipment.

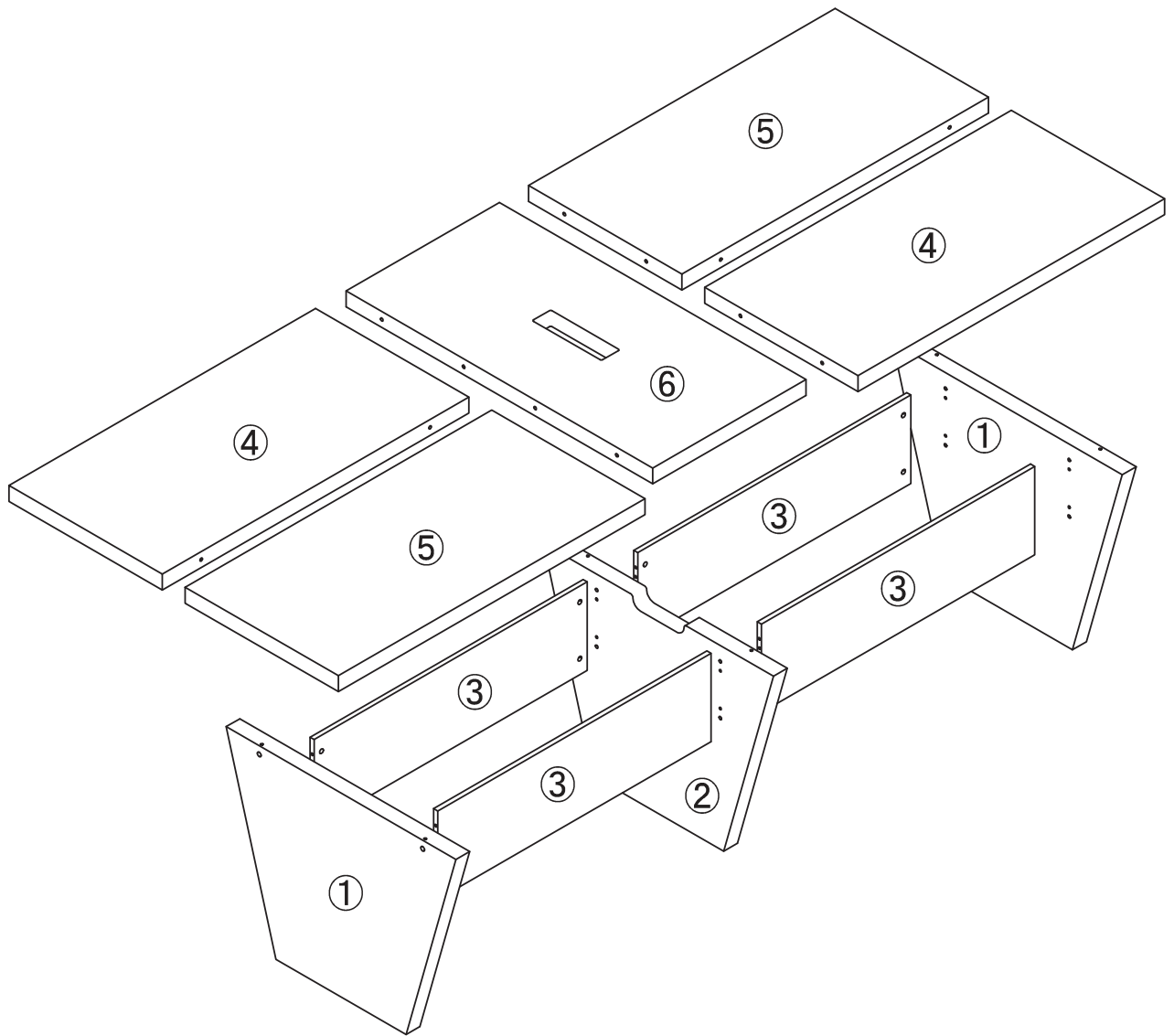


Bitte bereiten Sie die folgenden Hilfsmittel vor:

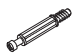


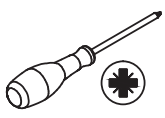



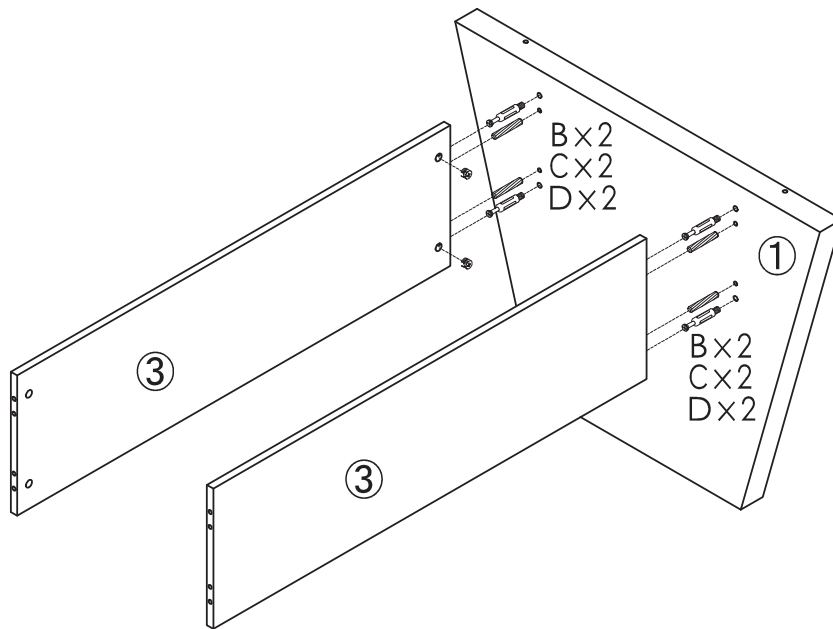
When installing, please carefully confirm whether each screw corresponds to the manual, accessories with similar shapes can be distinguished by size

A x 22  A x 22	B x 22  B x 22	C x 22  15A C x 22	D x 16  D x 16 $\varnothing 8 \times 30 \text{ mm}$	E x 4  E x 4 $\varnothing 10 \times 50 \text{ mm}$
F x 20  M4 x 20 mm F x 20	G x 8sets  M8 x 75 mm G x 8sets	H x 1  H x 1	I x 12  130x48x1,5 mm I x 12	J x 4  J x 4
K x 22  K x 22	L x 96  M4 x 14 mm L x 96			

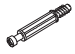


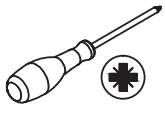



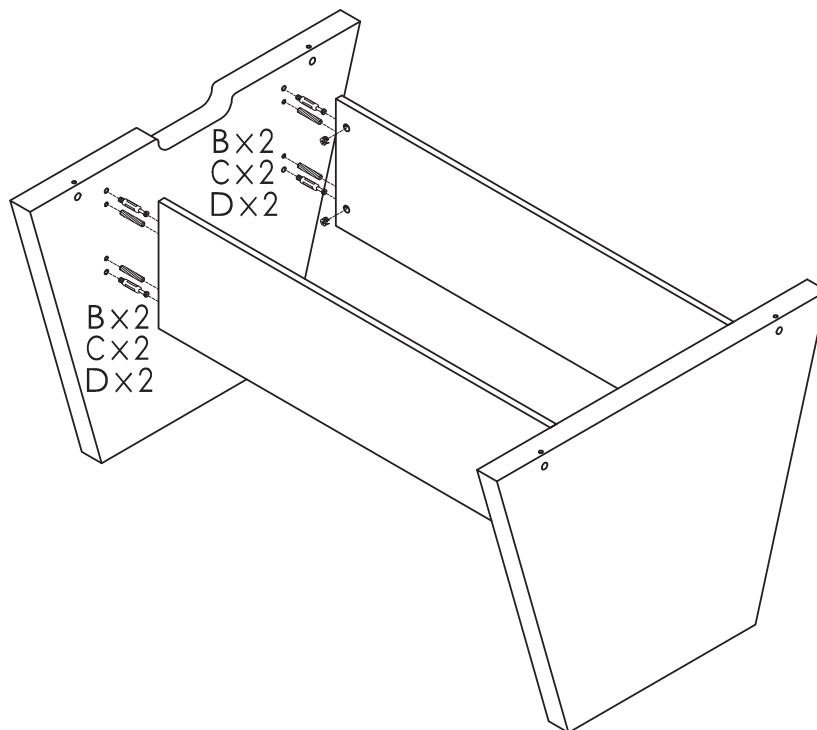
Step 1

B x 4  15A	C x 4  15A	D x 4  Ø8 x 30 mm	 
---	---	--	---

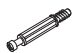


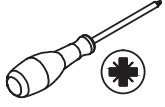



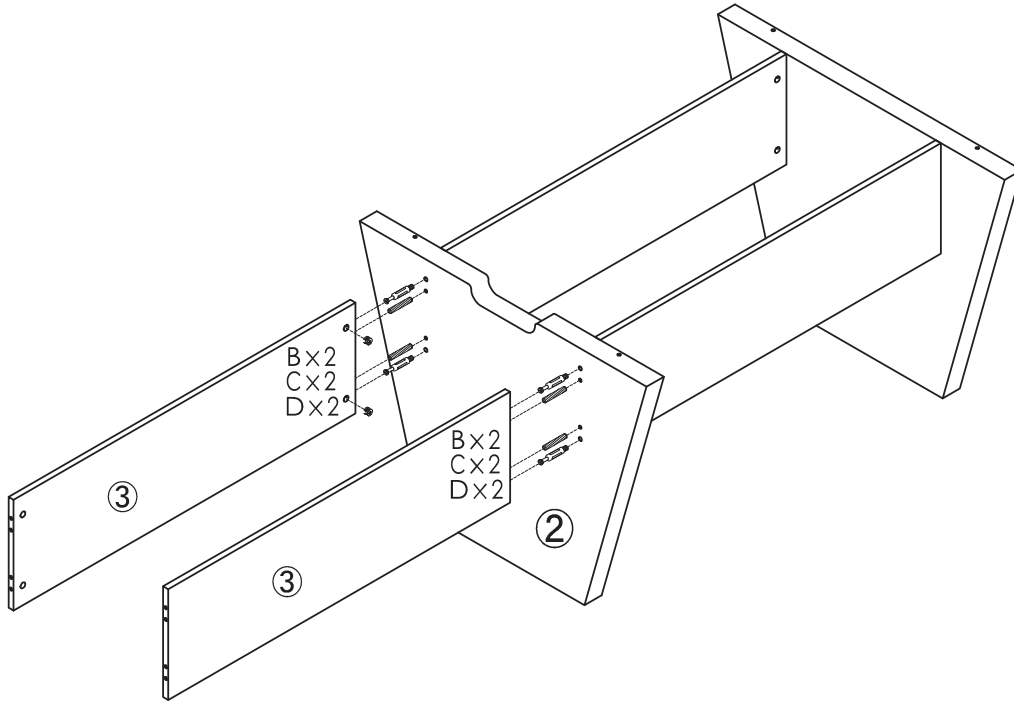
Step 2

B x 4  15A	C x 4  15A	D x 4  Ø8 x 30 mm	 
---	---	--	--

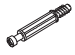






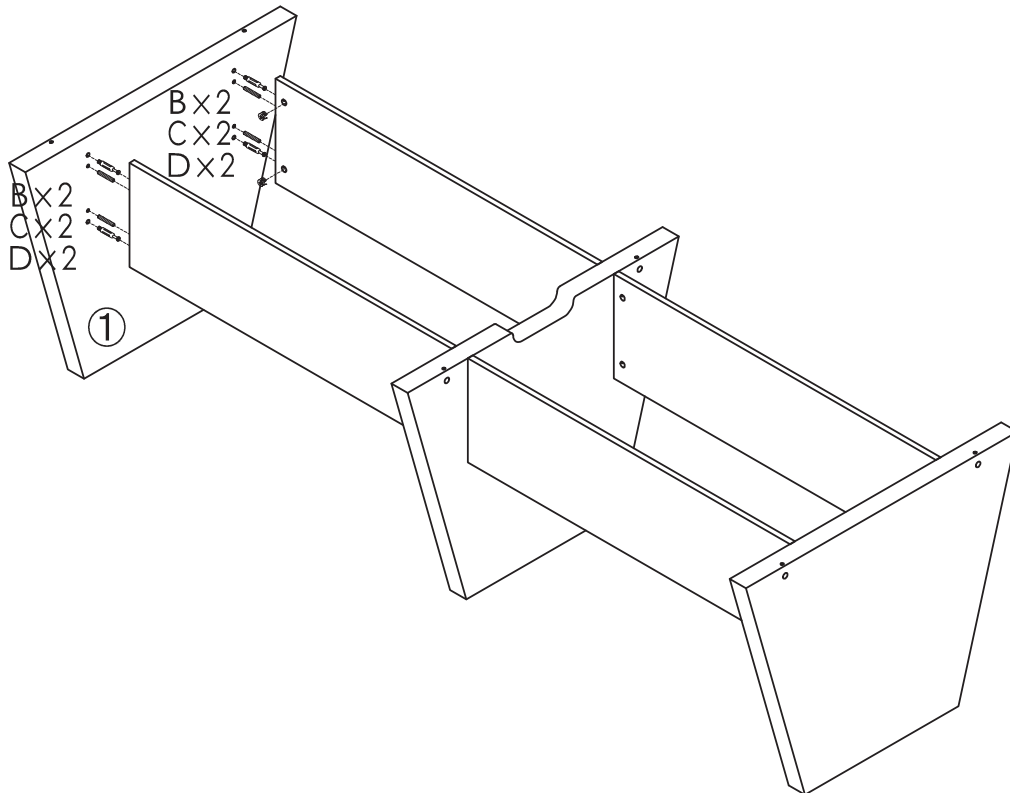
Step 3

B x 4  15A	C x 4  15A	D x 4  ∅8 x 30 mm	 
---	---	--	--

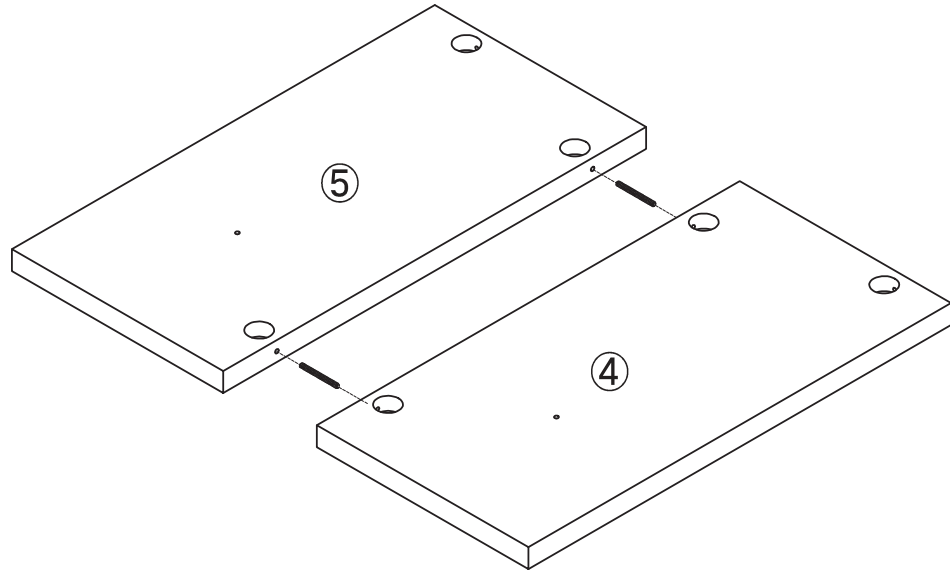


Step 4

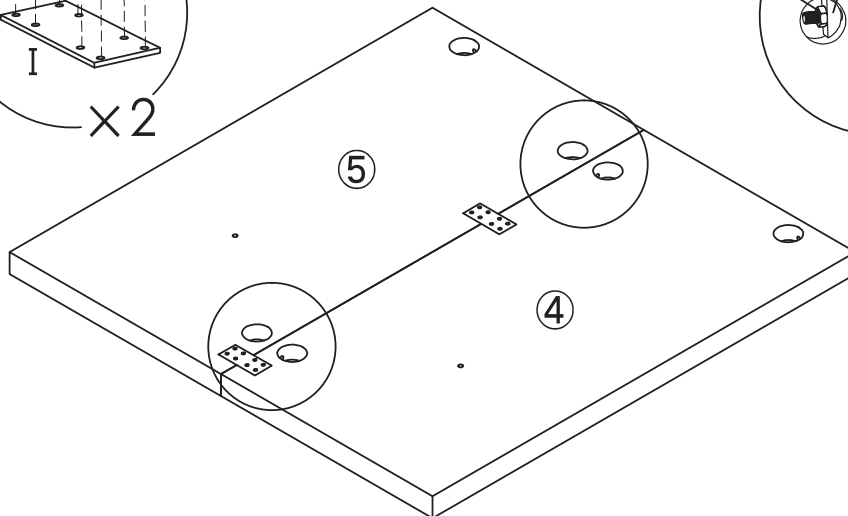
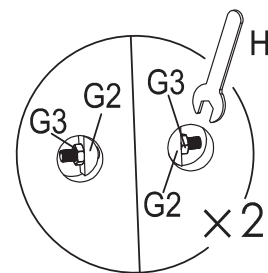
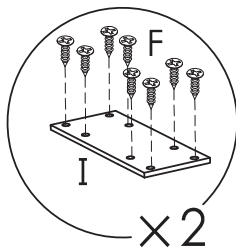
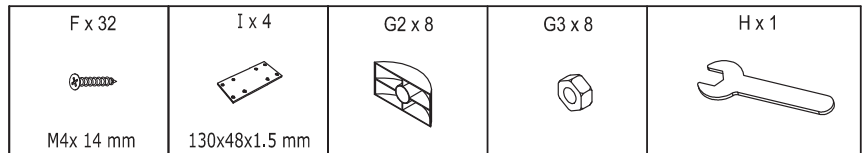
B x 4  15A	C x 4  15A	D x 4  ∅8 x 30 mm	 
---	---	--	--






Step 5

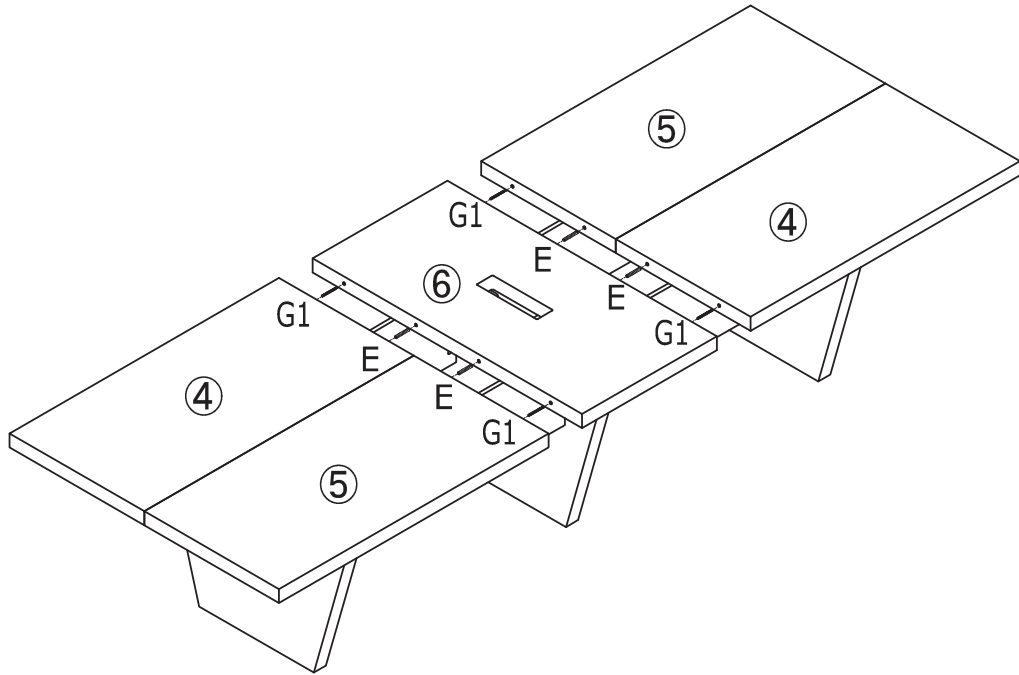


Step 6






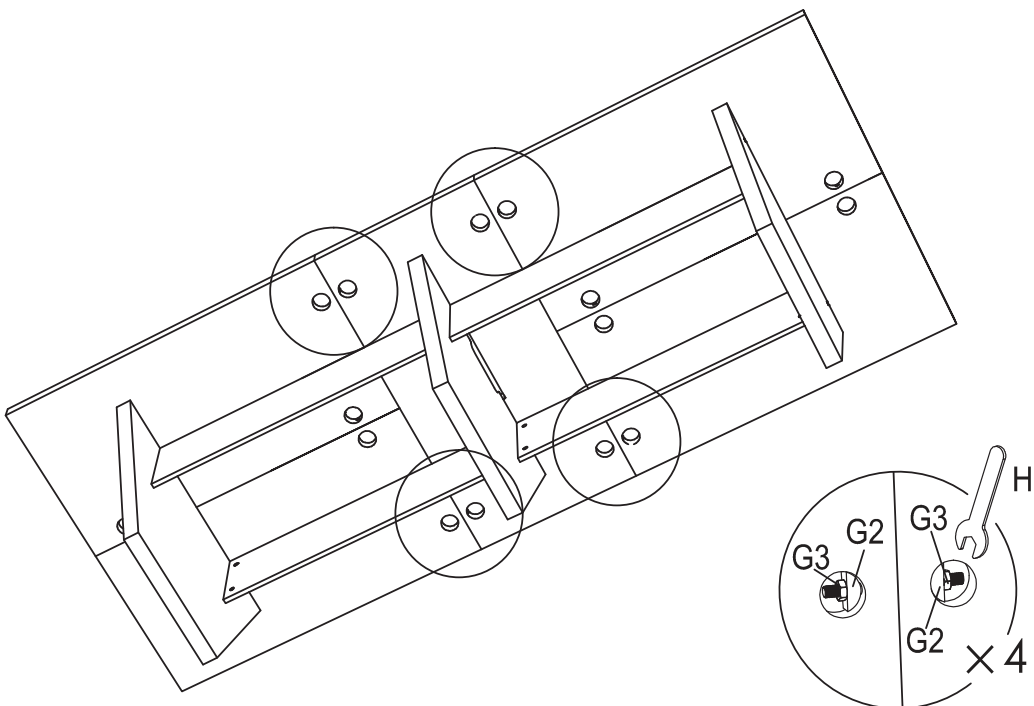
Step 7

E x 4  ∅10 x 50 mm	G1 x 4  M8 x 75 mm	 
---	---	--


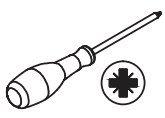


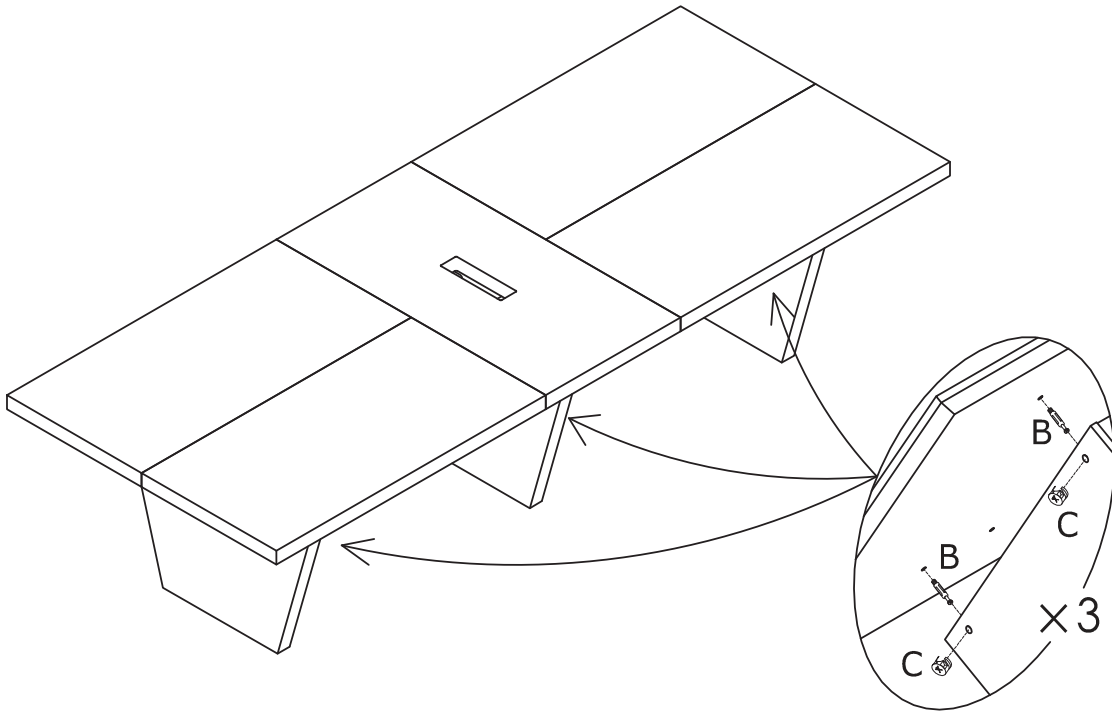
Step 8

G2 x 8 	G3 x 8 	H x 1 	
---	---	--	--



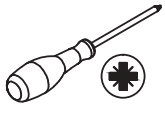


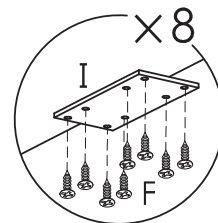
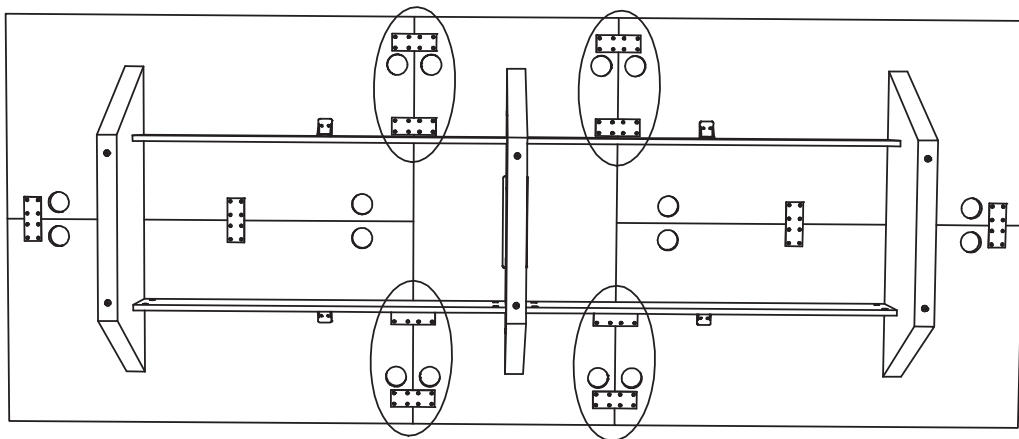
Step 9

B x 6  15A	C x 6  15A	
---	---	--



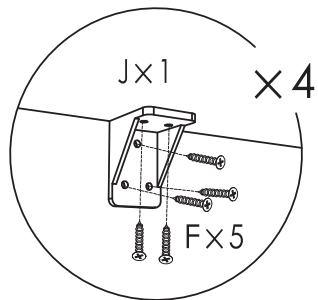
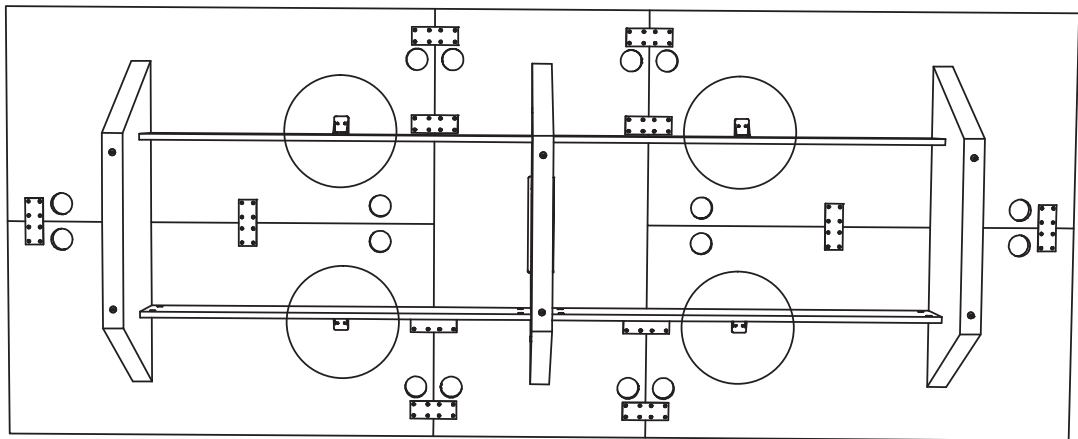
Step 10

F x 64  M4x 14 mm	I x 8  130x48x1.5 mm	
--	---	---



Step 11

F x 20  M4x 20 mm	J x 4 	 
--	--	--



PLEASE DO NOT RETURN TO STORE



**Please do not return this product to the retailer!
We are here to assist you directly in ANY way!
If you encounter any issue with assembly, or if any part is
missing or damaged, please contact our customer service
team before taking further action.**

**¡NO DEVUELVA ESTE PRODUCTO A LA TIENDA!
¡Estamos aquí para ayudarle directamente en todo lo que
necesite!
Si encuentra algún problema durante el montaje, o si falta o
está dañado algún componente,
póngase en contacto con nuestro servicio de atención al
cliente antes de tomar cualquier otra medida.**

この製品を販売店に返品しないでください!
組立の際に問題が発生した場合、または部品の不足・破損が
あった場合は、
まずは弊社カスタマーサービスまでご連絡ください。
お客様を直接サポートいたします!