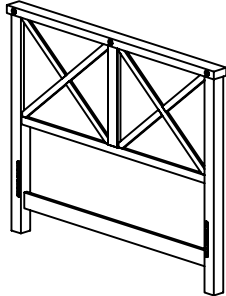


YOSEMITE C. KING BED HBW

ASSEMBLY INSTRUCTIONS

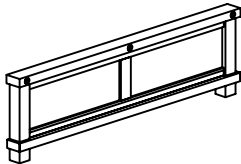
BOX#1

A. HEADBOARD 1PC



BOX#2

B. FOOTBOARD 1PC

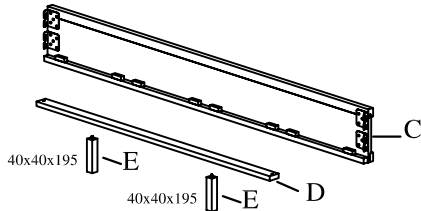


BOX#3

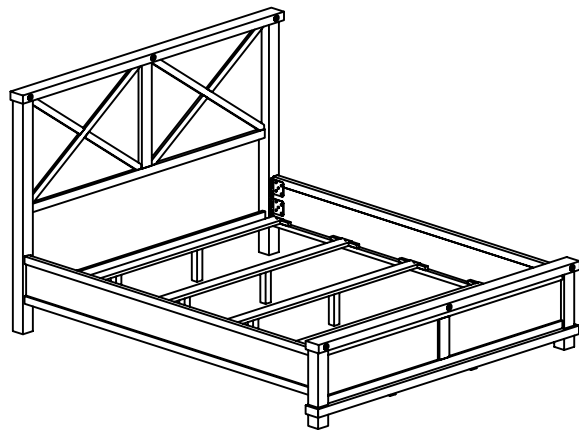
C. SIDERAILS 2PCS

D. BED SLATS 5PCS



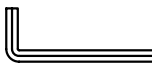

E. LEG SUPPORTS 10PCS



C. KING BED ASSEMBLED

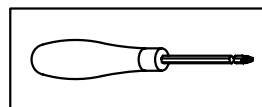


HARDWARE ARE PACKED IN BOX

1	ALLEN BOLT M8 x 30 MM	16 PCS	2	WASHER M8	16 PCS	3	ALLEN KEY (4MM)	02 PCS	4	SCREW M4 x 30MM	10 PCS
											

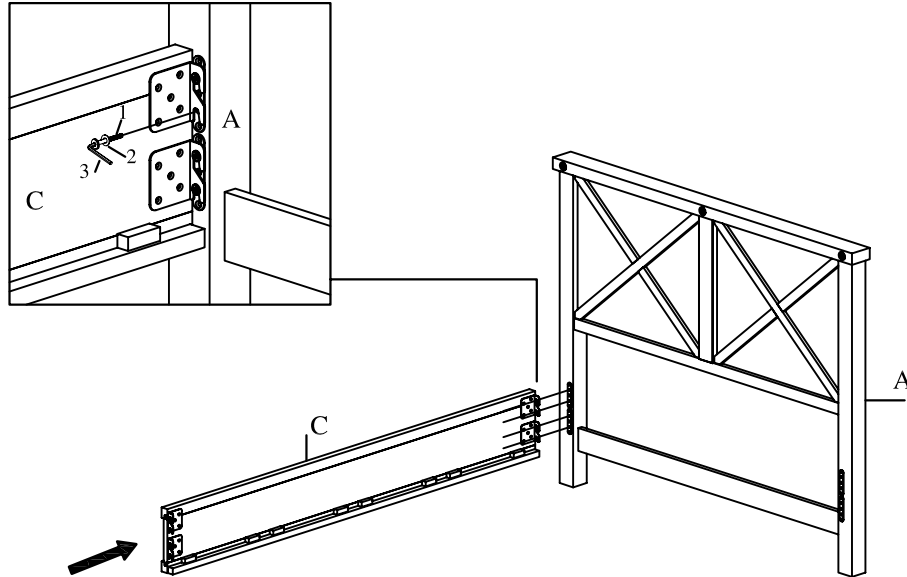
TOOL REQUIRED

PHILLS HEAD SCREW
DRIVER NOT PROVIDED



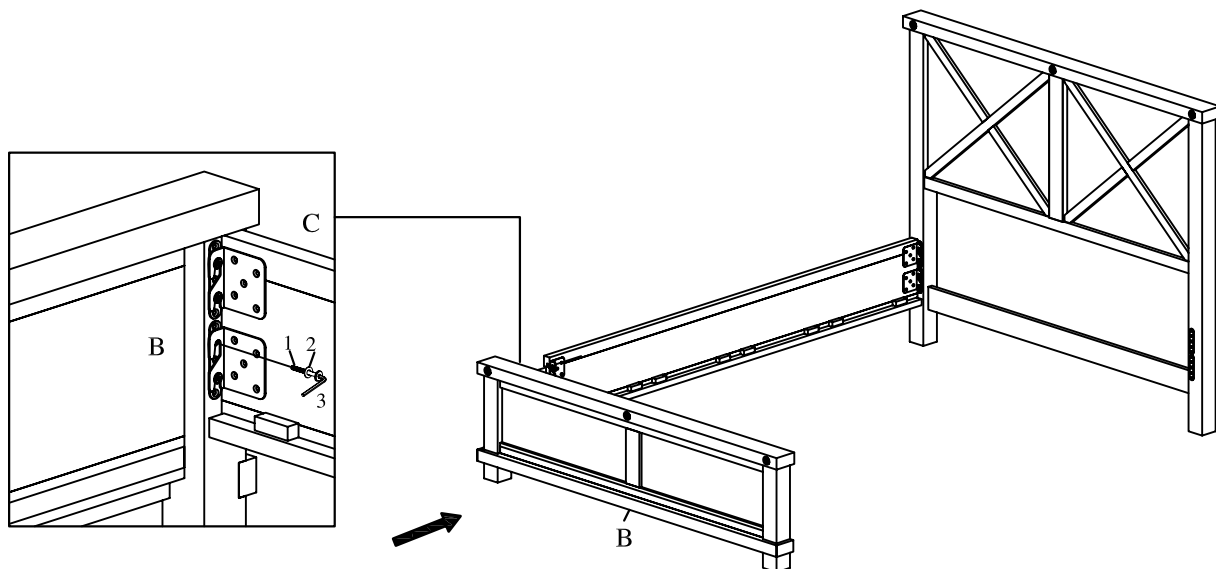
STEP 1:

FIX ONE OF THE SIDERAILS (C) TO THE HEADBOARD (A) USING ALLEN KEY (3) AND ALLEN BOLT (1) AND WASHERS (2).
DO NOT TIGHTEN BOLTS COMPLETELY UNTIL ASSEMBLY IS COMPLETED



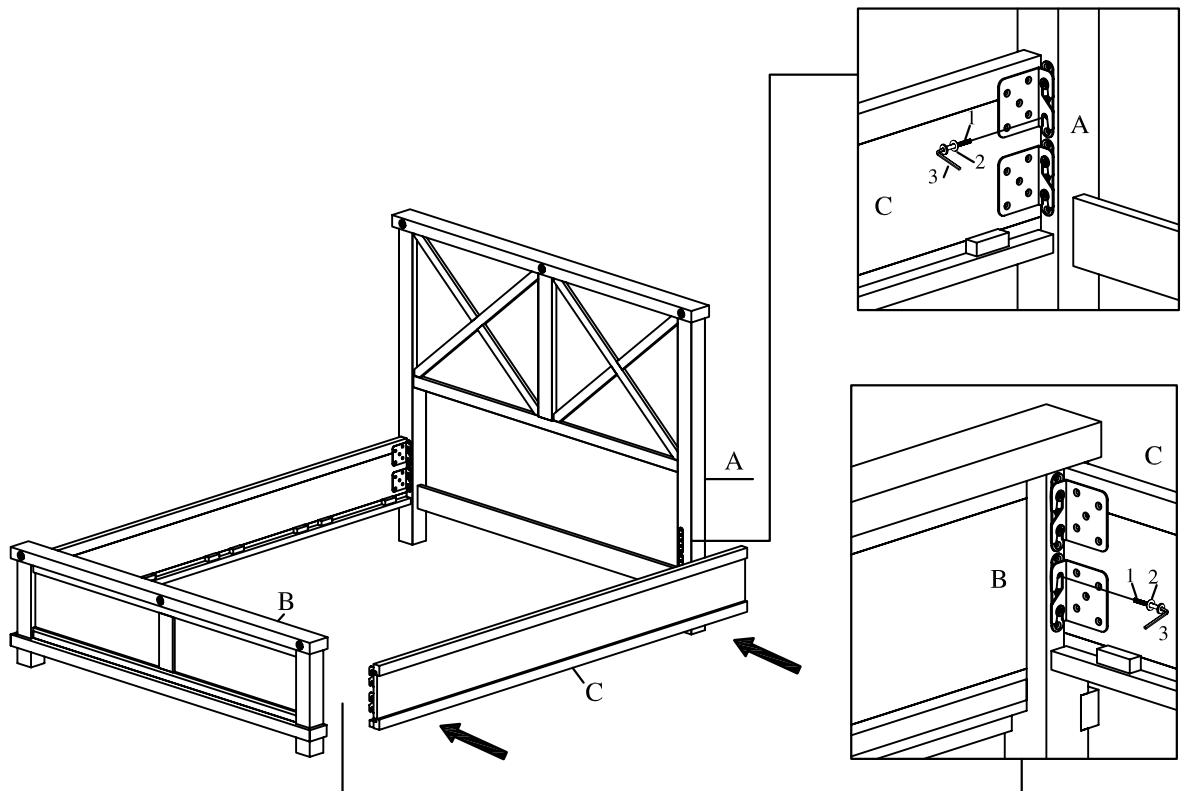
STEP 2:

FIX THE OTHER END OF THE SIDERAILS (C) TO THE FOOTBOARD (B) USING ALLEN KEY (3) AND ALLEN BOLT (1) AND WASHERS (2).
DO NOT TIGHTEN BOLTS COMPLETELY UNTIL ASSEMBLY IS COMPLETED



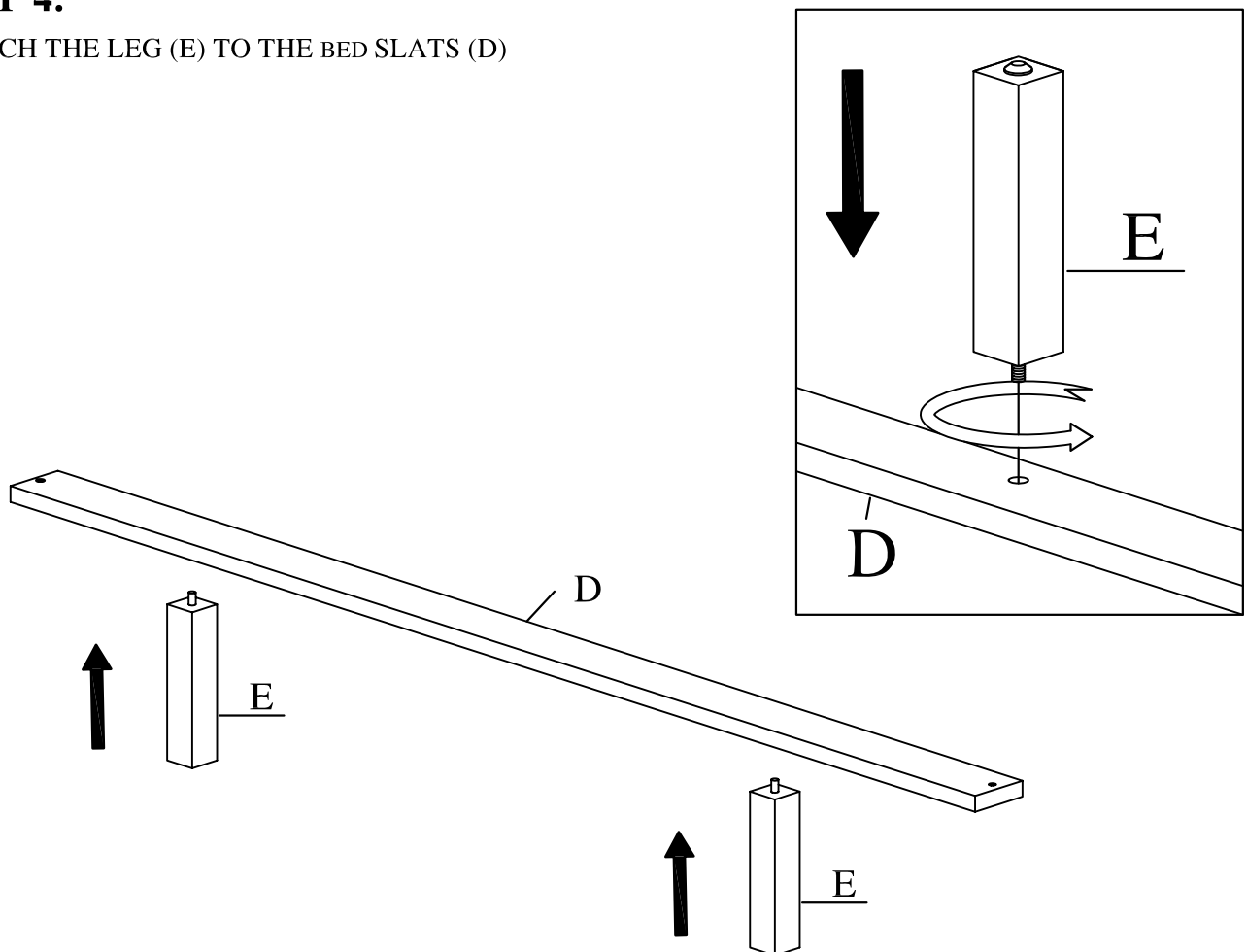
STEP 3:

FIX ONE OF THE SIDERAILS (C) TO THE HEADBOARD (A) AND FOOTBOARD (B) USING ALLEN KEY (3) AND ALLEN BOLT (1) AND WASHERS (2). DO NOT TIGHTEN BOLTS COMPLETELY UNTIL ASSEMBLY IS COMPLETED



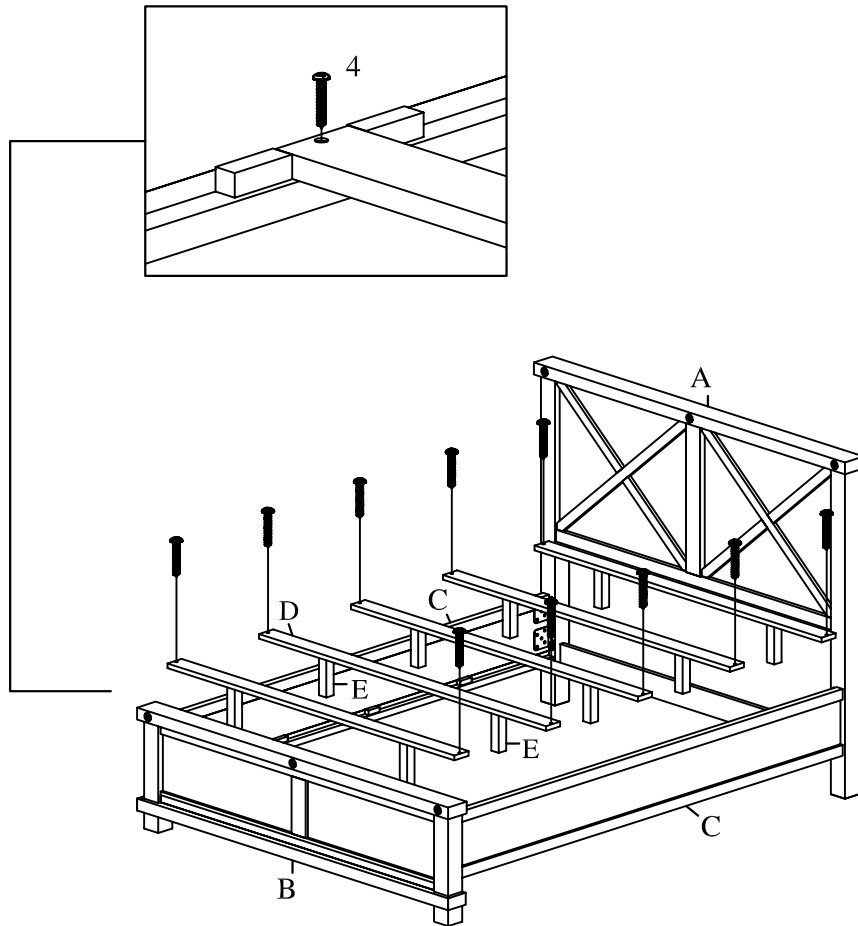
STEP 4:

ATTACH THE LEG (E) TO THE BED SLATS (D)



STEP 5:

FOLLOW THE ILLUSTRATION TO PLACE FIVE BED SLATS (D) ON THE BED FRAME. AND SECURE THE BED SLATS (D) USING WOOD SCREWS (4). USE THE PILOT HOLES ON THE SIDERAILS (C) AS YOUR REFERENCE FOR EASY ASSEMBLY.



STEP 6:

ASSEMBLY COMPLETE

