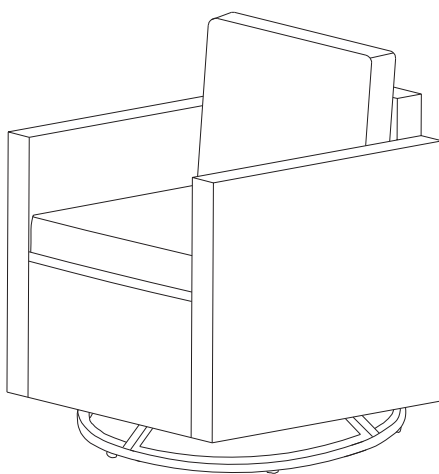
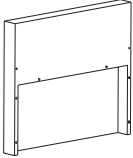
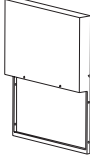
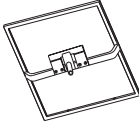
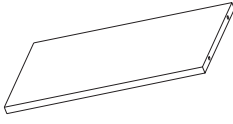
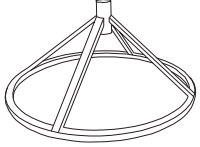






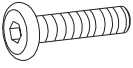
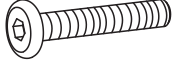
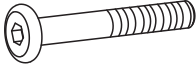


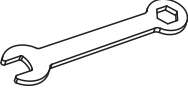

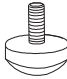
Outdoor Wicker Swivel Rocker Chair



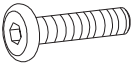
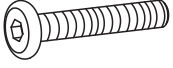
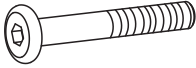


PART LIST

A 	B 	C 	D 	E 
Arm Panel 2 PCS	Back Panel 1 PC	Seat Panel 1 PC	Lower Front Panel 1 PC	Base 1 PC
F 	G 	P 	Q 	*Please note cushion covers will ship separately.
Cover of Seat Cushion * 1 PC	Core of Seat Cushion 1 PC	Cover of Back Cushion * 1 PC	Core of Back Cushion 1 PC	

HARDWARE LIST

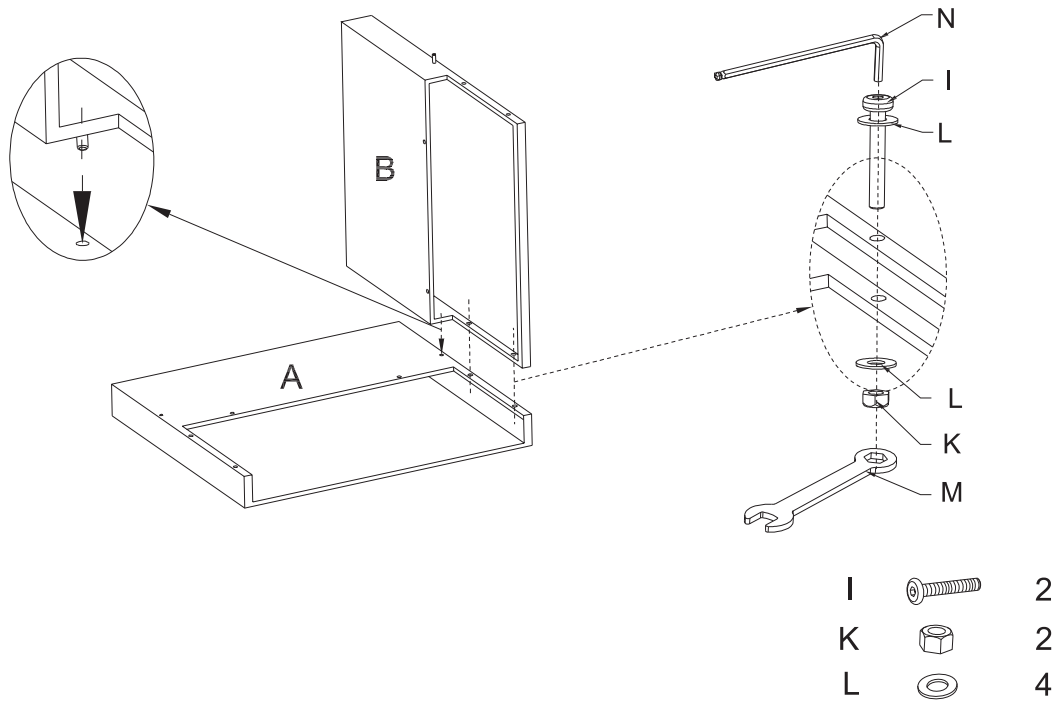
H 	I 	J 	K 	L 
M6*30mm Short Bolt 1 PC	M6*40mm Medium Bolt 4 PCS	M6*50mm Long Bolt 10 PCS	M6mm Nut 14 PCS	M6mm Washer 29 PCS
M 	N 	O 		
M6mm Wrench 1 PC	M6mm Allen Key 1 PC	Adjustable Leveler 6 PCS		

EXTRA HARDWARE LIST

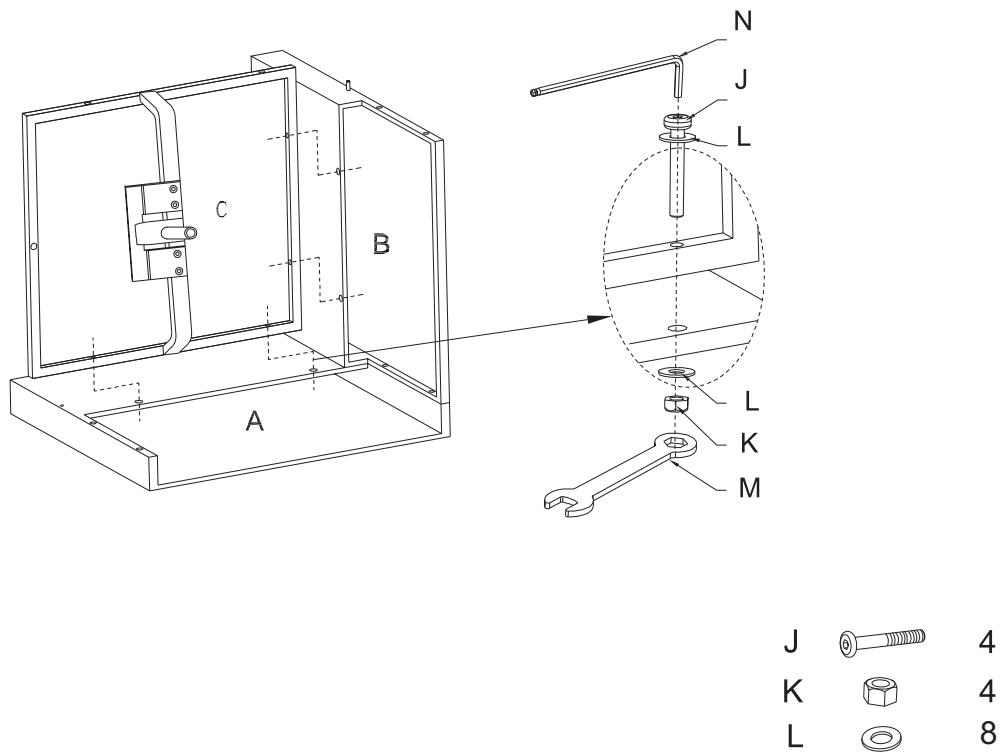
H 	I 	J 	K 	L 
M6*30mm Short Bolt 1 PC	M6*40mm Medium Bolt 1 PC	M6*50mm Long Bolt 2 PCS	M6mm Nut 3 PCS	M6mm Washer 3 PCS

Step 1. Lay Arm Panel (A) down on a flat surface. Attach Back Panel (B) to Arm Panel (A) using the Medium Bolts (I), Washers (L), Nuts (K), Wrench (M) & Allen Key (N).

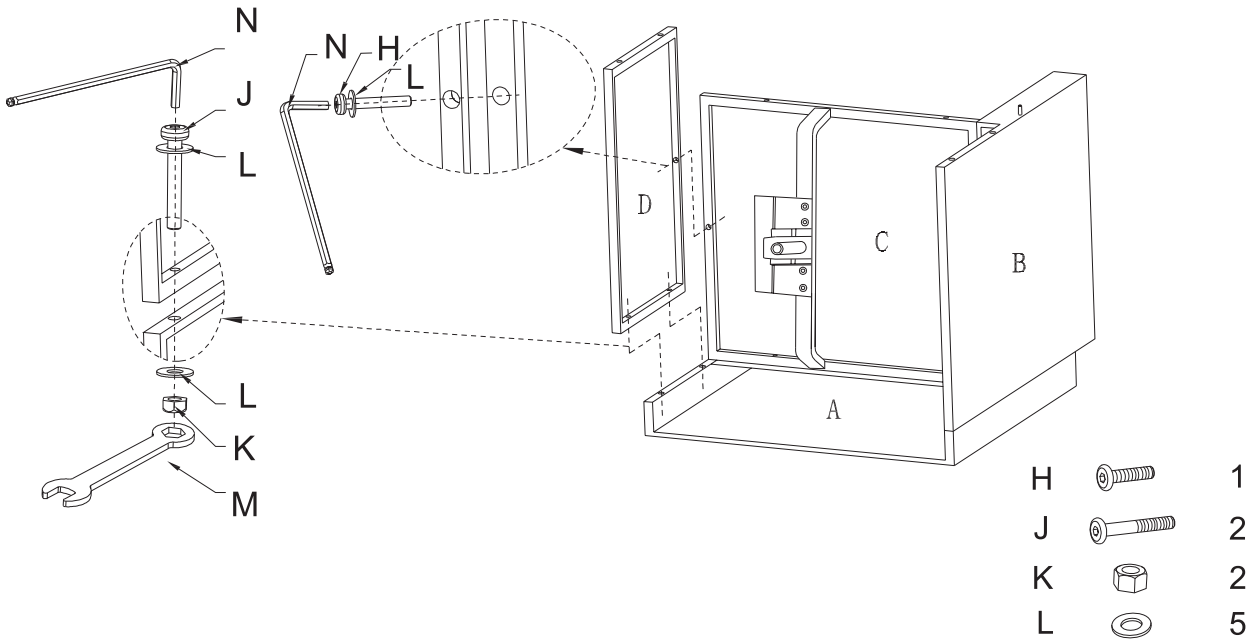
NOTE: Please do not fully tighten bolts until unit is fully assembled.



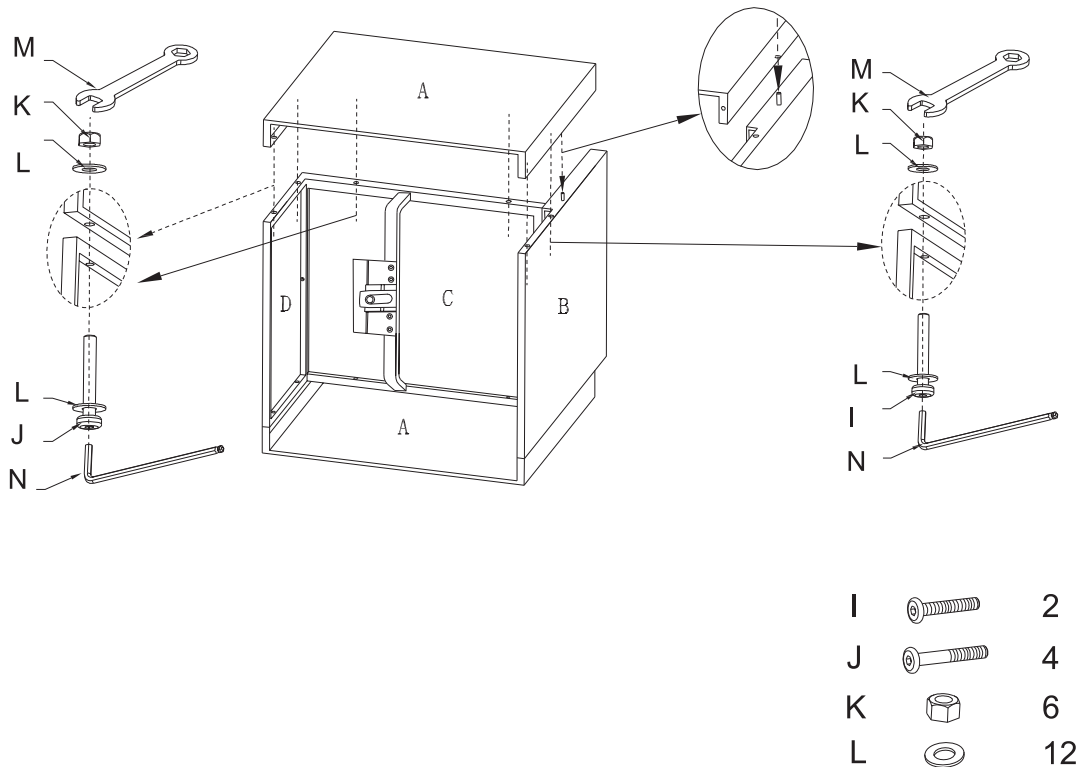
Step 2. Attach Seat Panel (C) to Arm Panel (A) and Back Panel (B) using the Long Bolts (J), Washers (L), Nuts (K), Wrench (M) & Allen Key (K).



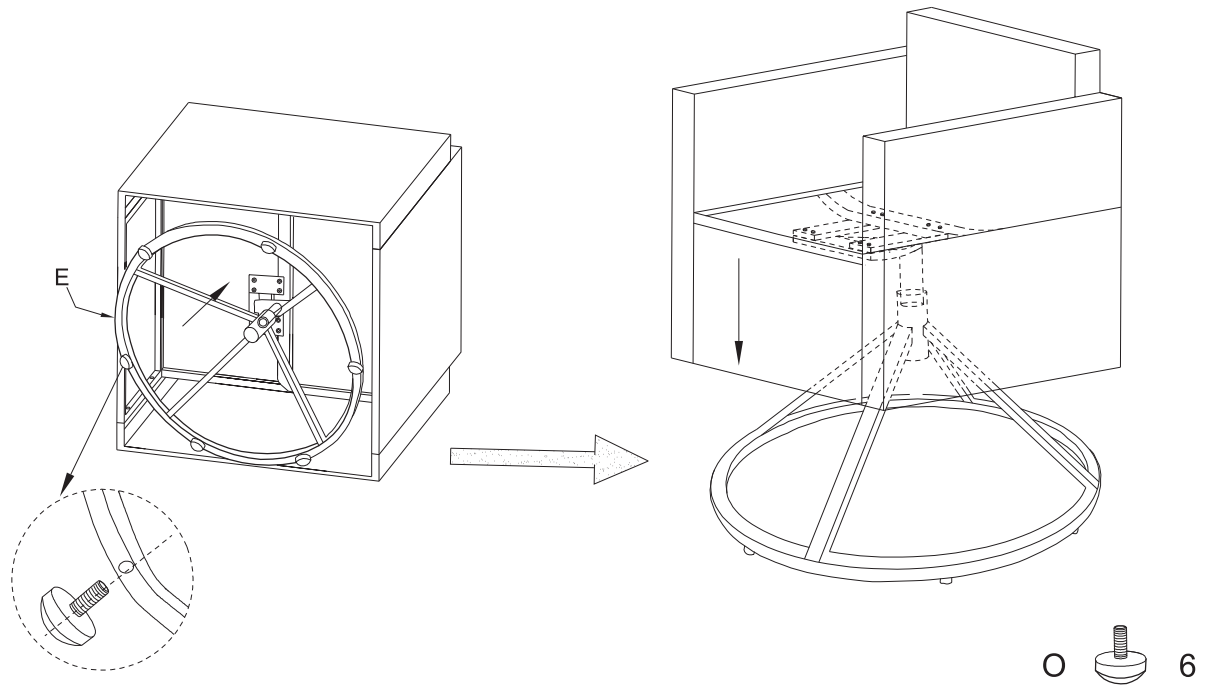
Step 3. Attach Lower Front Panel (D) to Arm Panel (A) using the Long Bolts(J), Washers (L), Nuts(K), Allen Key (N) & Wrench (M), to Seat Panel (C) using Short Bolts (H), Washers (L) & Allen Key (N).



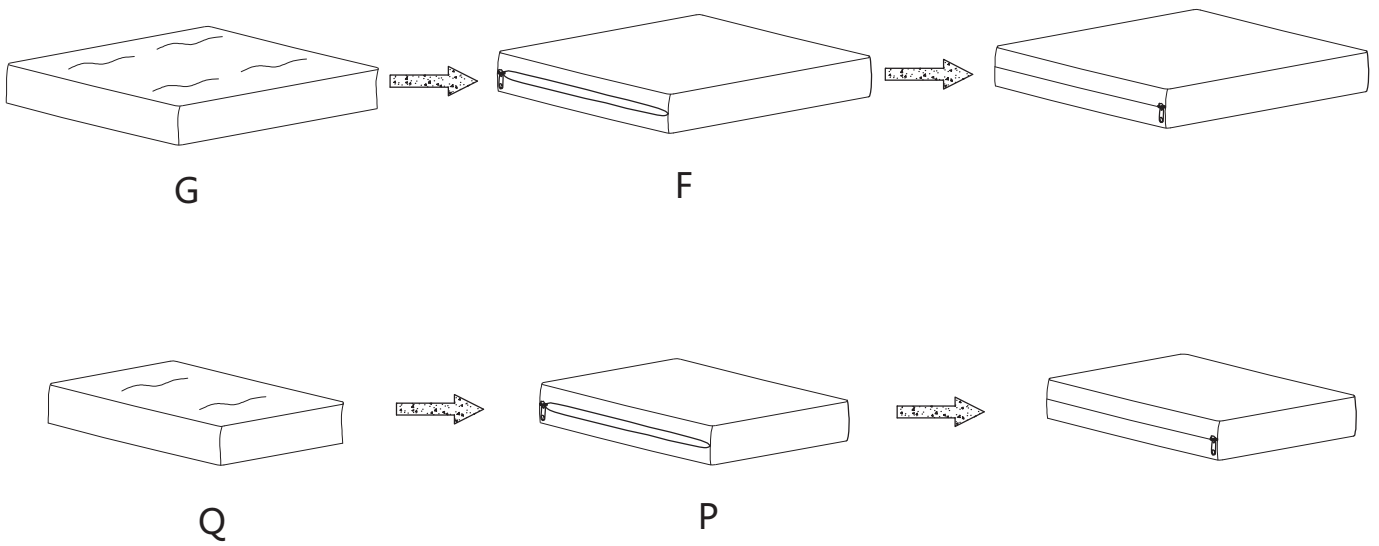
Step 4. Attach the other Arm panel(A) to the assembled Parts (A,B,C&D) using Medium Bolts (I), Long Bolts (J), Washers (L), Nuts (K), Wrench (M) and Allen Key (N) as shown.



Step 5. Screw the Adjustable Levelers(O) into the pre-drilled holes on the Base(E). Attach Base(E) to the Seat Panel(C).



Step 6. Insert core of seat cushion (part G) into cover of seat cushion (part F).
Insert core of back cushion (part Q) into cover of back cushion (part P).



Step 6. Place Seat Cushion and Back Cushion on the Chair.

