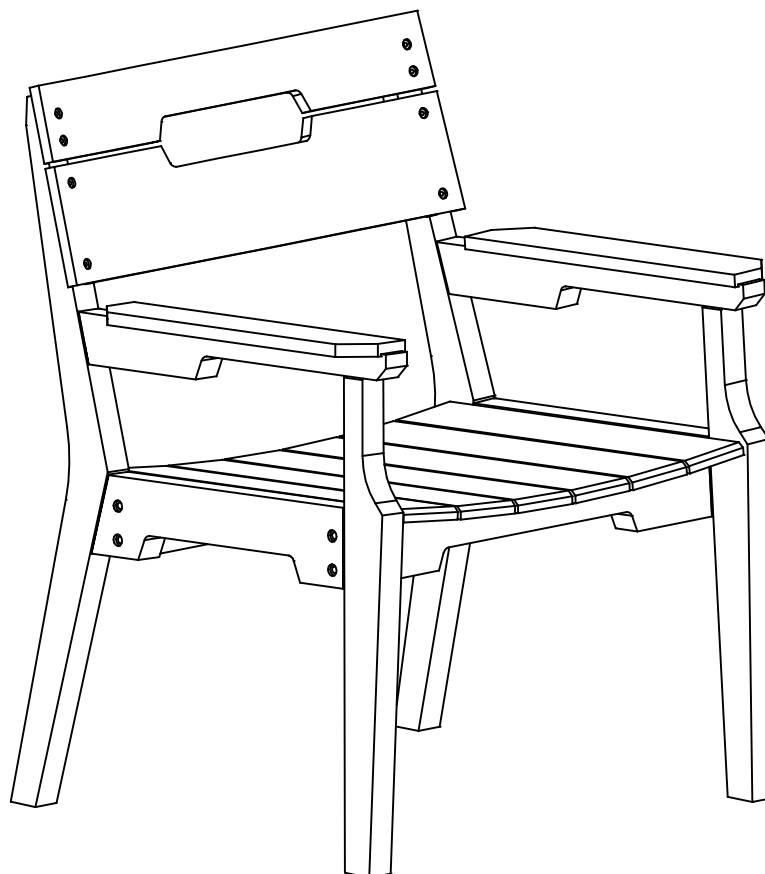
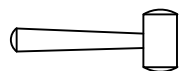


# ASSEMBLY INSTRUCTIONS

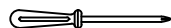
## ARMCHAIR



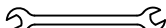
### Tools Required (Not Included)



Rubber Hammer



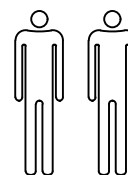
Phillips Screwdriver



Wrench

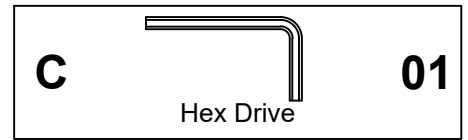
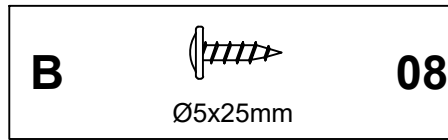
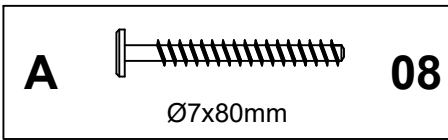


Cordless Drive (\*)

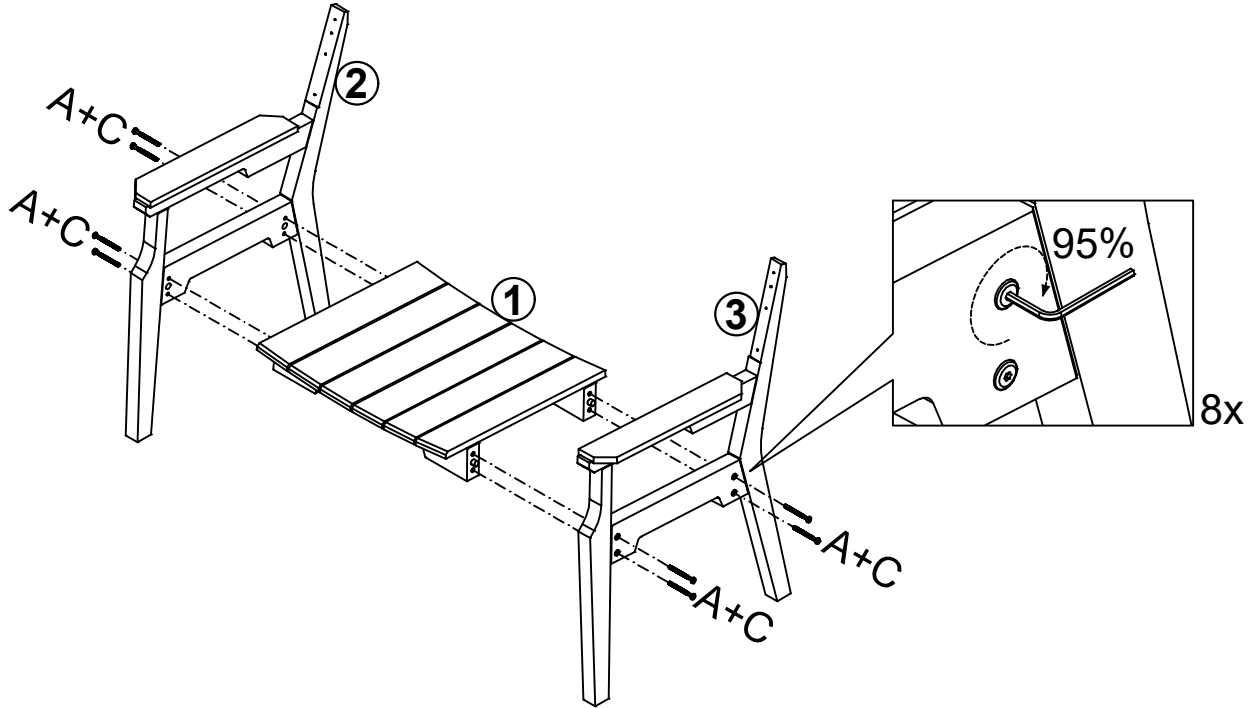
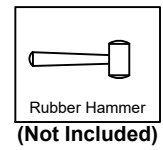
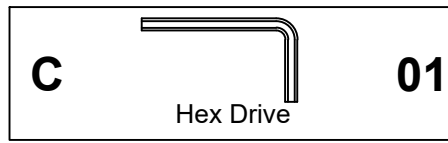
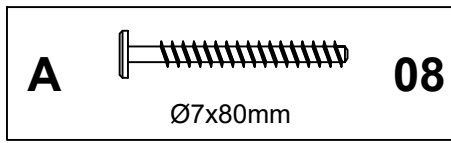


(\*) NOTE: Optional - use in place of hex drive.

**Identifying the Hardware**-Identify the hardware using the illustrations below.



**01**



**02**

