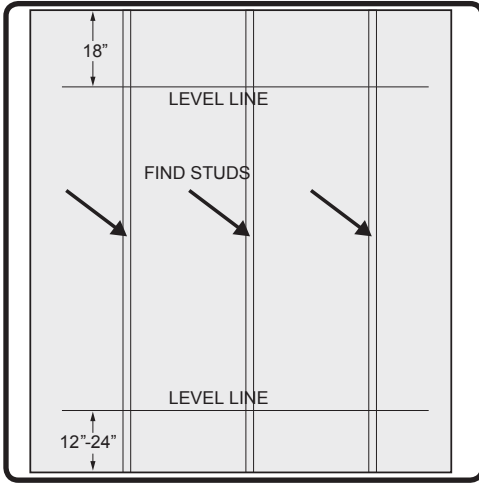


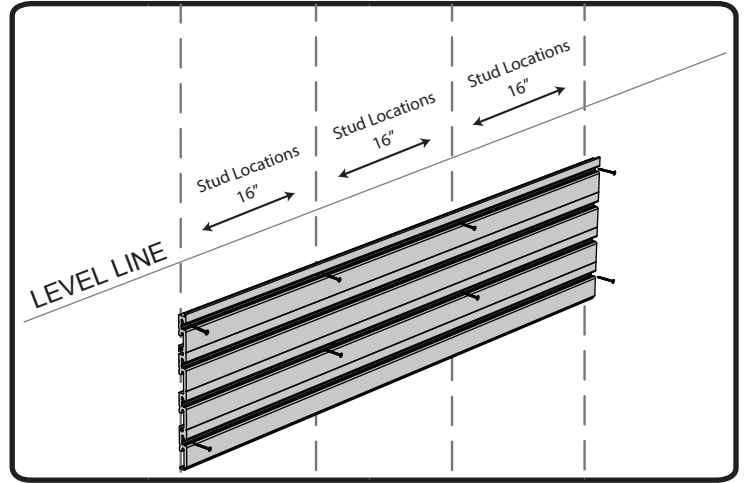
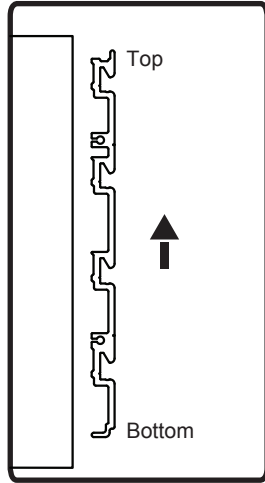
## 1. Locate Studs / Level Line

(recommended creating guidelines)



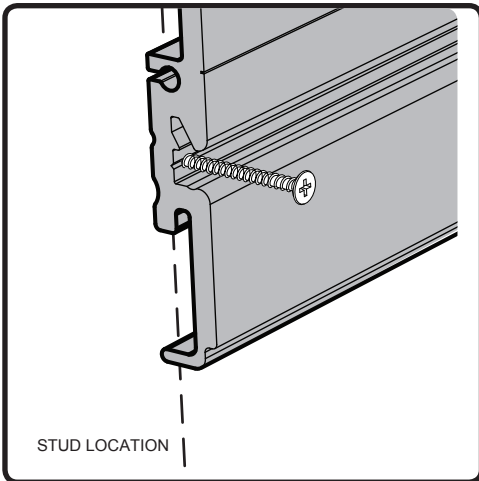
## 2. Align Panel to Studs and Level Line

(recommended 8-12 screws per 4' panel)



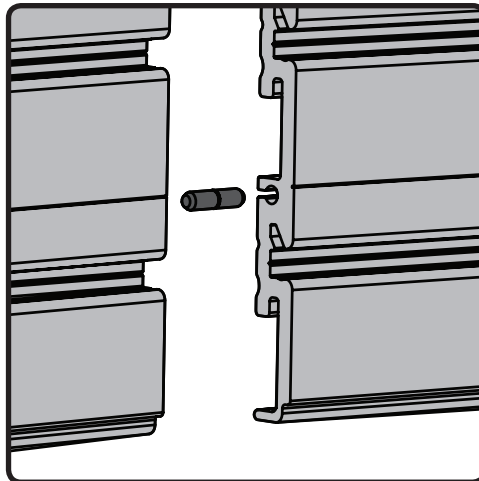
## 3. Mount Panel to Studs

(recommended 12 - FLOW 2" Screws)



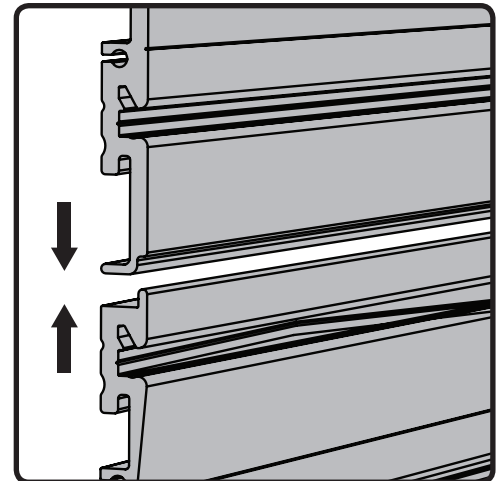
## 4. Horizontal Mounting

(use dowels to connect boards)



## 5. Vertical Mounting

(overlap panels)



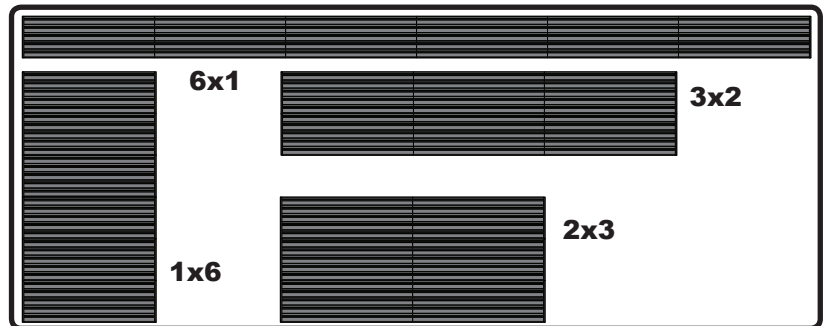
## 6. Attaching End Caps

(left edge start from bottom / right edge start from top)



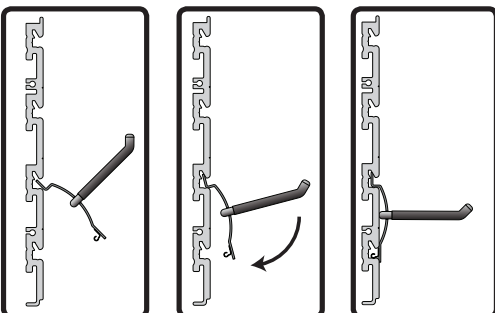
## Orientation Options

(using 6 Panels)



## 7. Placing Hooks

(insert from top to bottom)



visit: [www.flowwall.com](http://www.flowwall.com)

Thank you for your purchase from Flow Wall! 100% customer satisfaction is our goal. Please contact us between **9am-5pm** MST, Monday through Friday, with any questions.

1891 W 2100 S  
Salt Lake City, UT 84119  
(888) 353-0917  
[customerservice@flowwall.com](mailto:customerservice@flowwall.com)