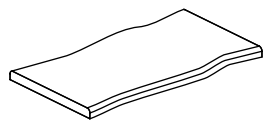
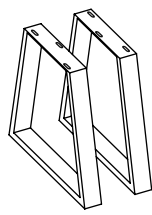
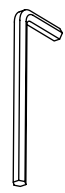
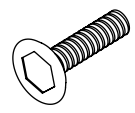


	Ax1 	Bx2 	Cx1 
	Dx6  $\frac{18}{0.7}$	Ex6  $\frac{17}{0.6}$	 $\frac{\text{mm}}{\text{inch}}$ x1

