

5 PCS DINING SET

ASSEMBLY INSTRUCTIONS



ASSEMBLY TIPS :

1. Remove hardware from plastic bag and sort by size.
2. Please check to see that all hardware and part are present prior to start of assembly.
3. Please follow attached instruction in the same sequence as numbered to assure fast & easy assembly.



Warning !

1. Don't attempt to repair or modify parts that are broken or defective. Please contact the store immediately.
2. This product is for home use only and not intended for commercial establishment.

PARTS IDENTIFICATION:

A		TABLE TOP	1PC
B		TABLE LEG	4PCS
C		CHAIR BACK	3PCS
D		FRONT LEG FRAME	3PCS
E		SIDE RAIL	6PCS
F		CHAIR SEAT	3PCS
G		BENCH SEAT	1PC
H		BENCH LEG	4PCS

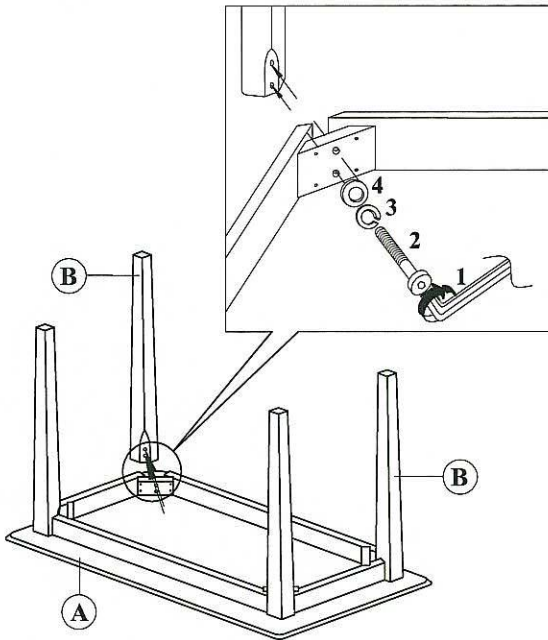
HARDWARE IDENTIFICATION:

1		ALLEN WRENCH	1PC
2		LONG BOLT	16PCS
3		LOCK WASHER	34PCS
4		FLAT WASHER	16PCS
5		SHORT BOLT	18PCS
6		PAN HEAD SCREW	9PCS

ASSEMBLY INSTRUCTIONS

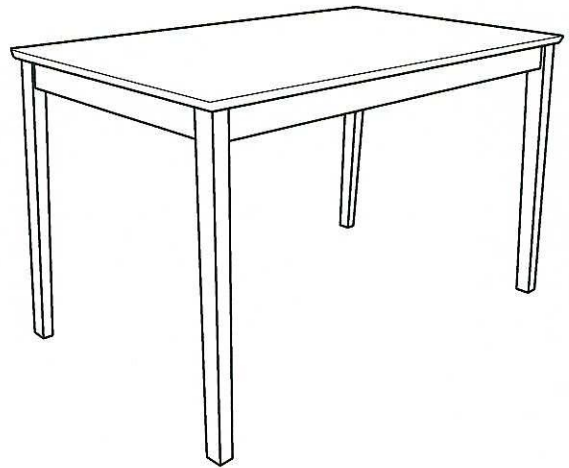
STEP 1

Place table top up side down on soft surface, then align and fasten all legs to table top using long bolt, lock washer and flat washer and tighten with Allen wrench.



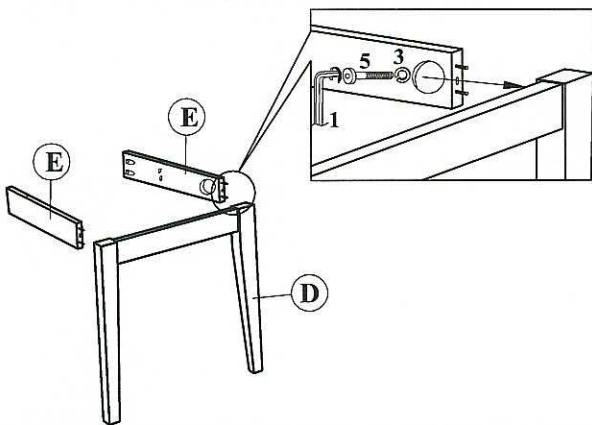
STEP 2

Flip table over using two people to lift and flip this table.



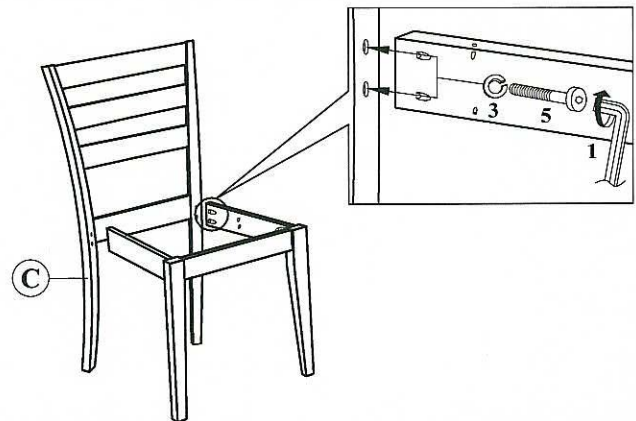
STEP 3

Align and fasten side rail to front leg frame using short bolt and lock washer and tighten with Allen wrench.



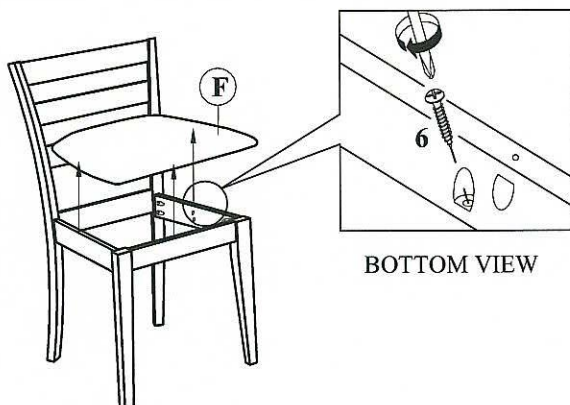
STEP 4

Align and fasten side rails to chair back using short bolt and lock washer and tighten with Allen wrench.

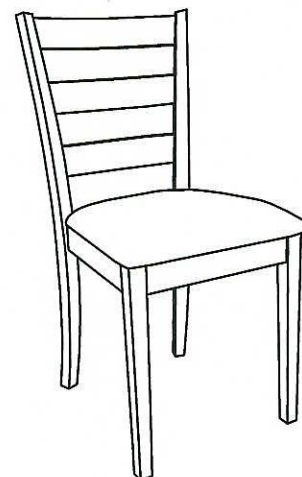


STEP 5

Align and fasten chair seat (F) to side rails using screws and tighten with screw driver (Not provided).



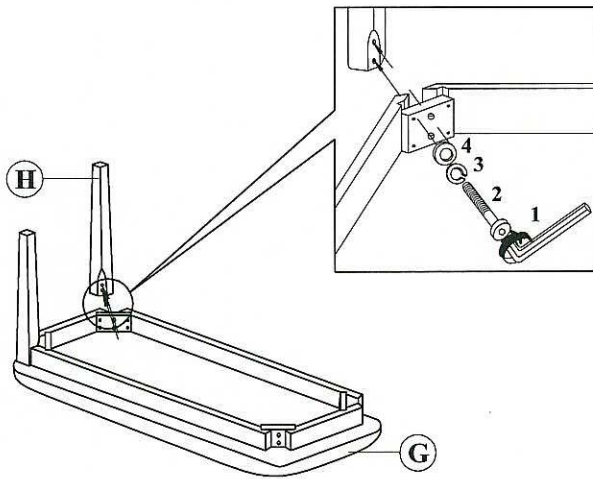
STEP 6



ASSEMBLY INSTRUCTIONS

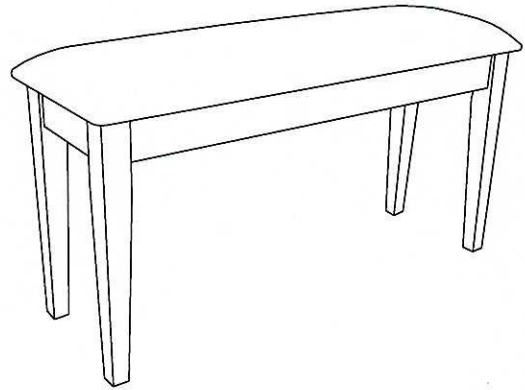
STEP 7

Place bench seat up side down on soft surface, then align and fasten all legs to bench seat using long bolt, lock washer and flat washer and tighten with Allen wrench.



STEP 8

Flip bench over.



STEP 9

Complete.

