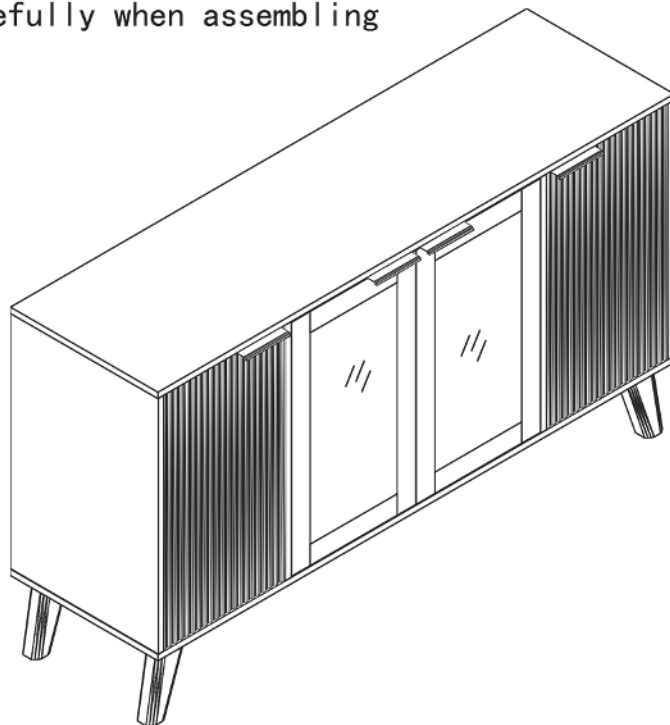
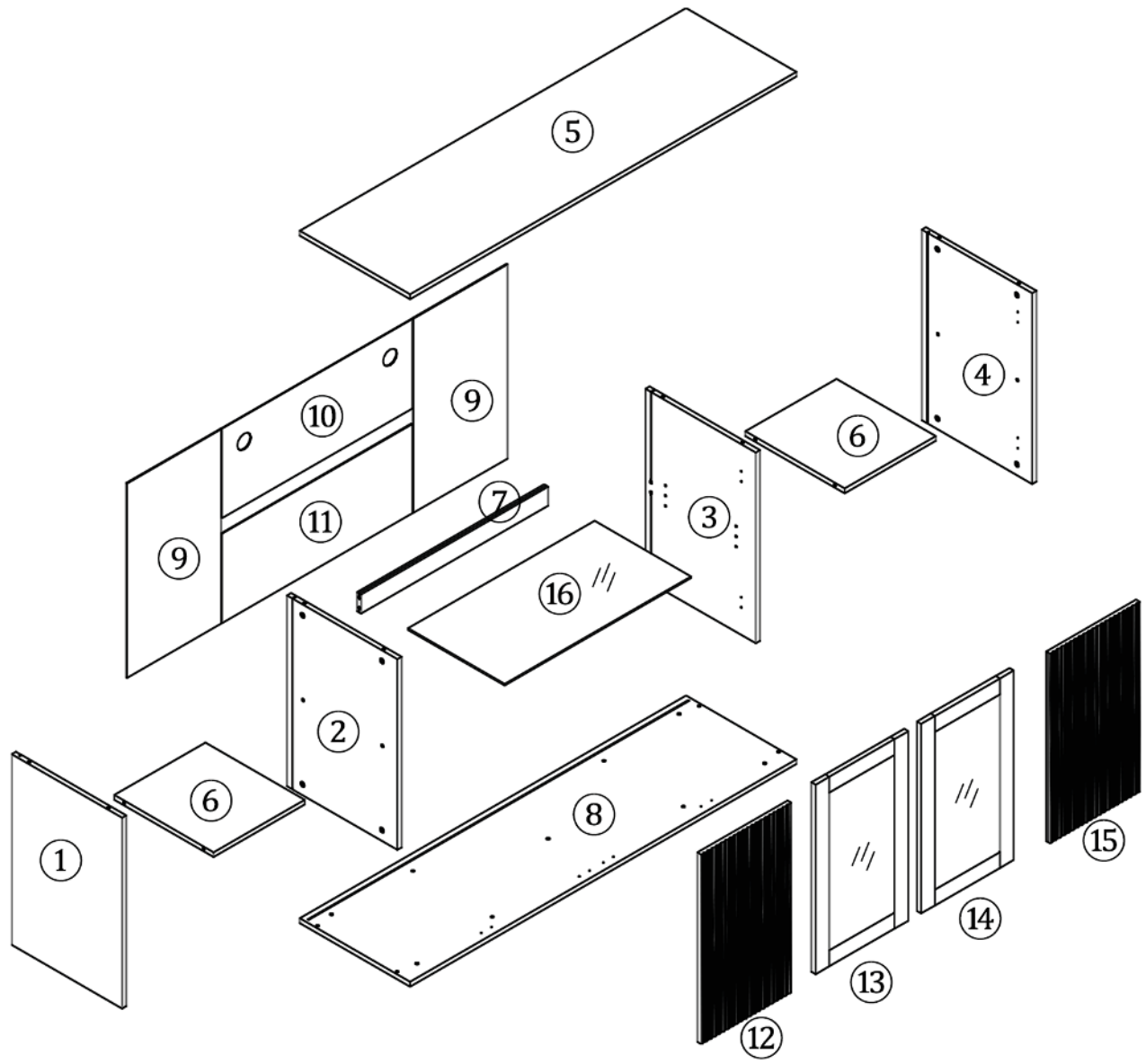





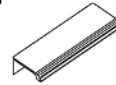

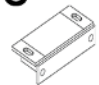







ASSEMBLY INSTRUCTION

- Please follow the instructions to assemble the items correctly.
- Please ensure the safety of the glass when assembling.
- Do not make the screws too loose or too tight.
- As shown in the figure, Insert the screw into the hole.
The arrow in the picture, Then rotate 90° or 180° clockwise.
- The accessory bag contains some small accessories, which should be kept away from children.
- The remaining parts are spare parts.
- Warm reminder white backboard please install the white side inward
- The operating instruction of RGB light is included in the package , please read it carefully when assembling



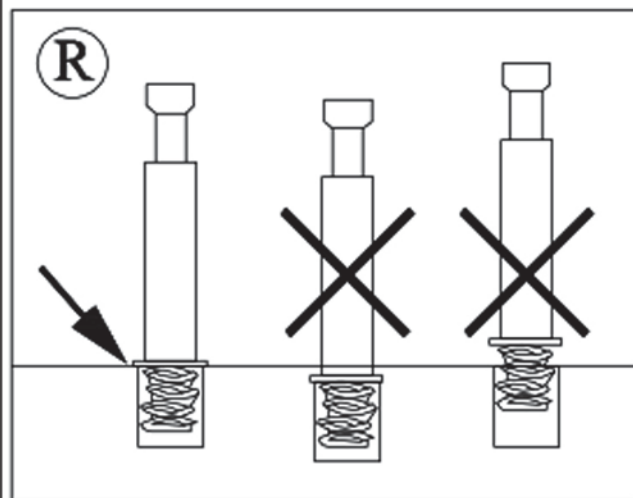
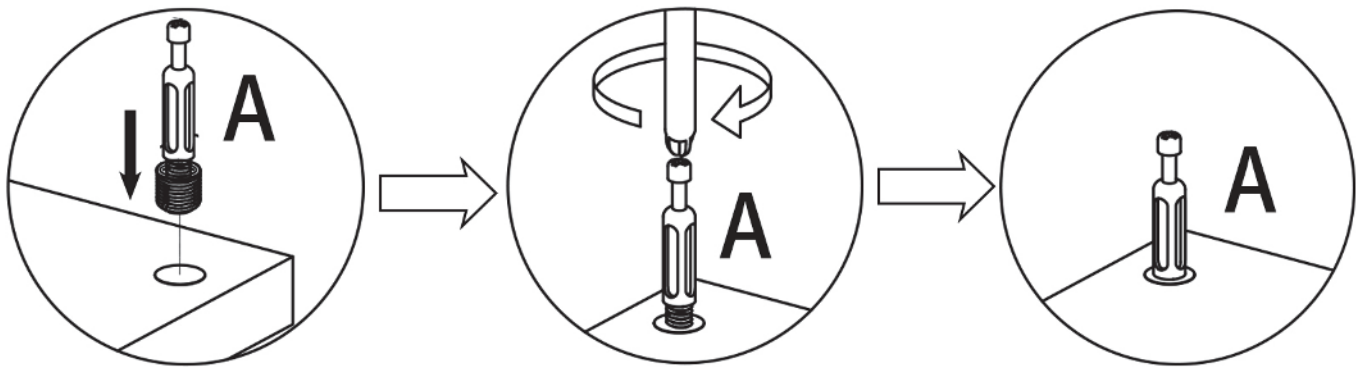


A  28pcs	B  28pcs	C  3.5*14 80pcs	C8  3.5*12 8pcs	D2  8pcs	F  4pcs	G  4pcs	O  4pcs	Y  16pcs
Z4  8*30 5pcs	AE  4pcs	AE  1pcs	 LED					



Hardware installation demonstration

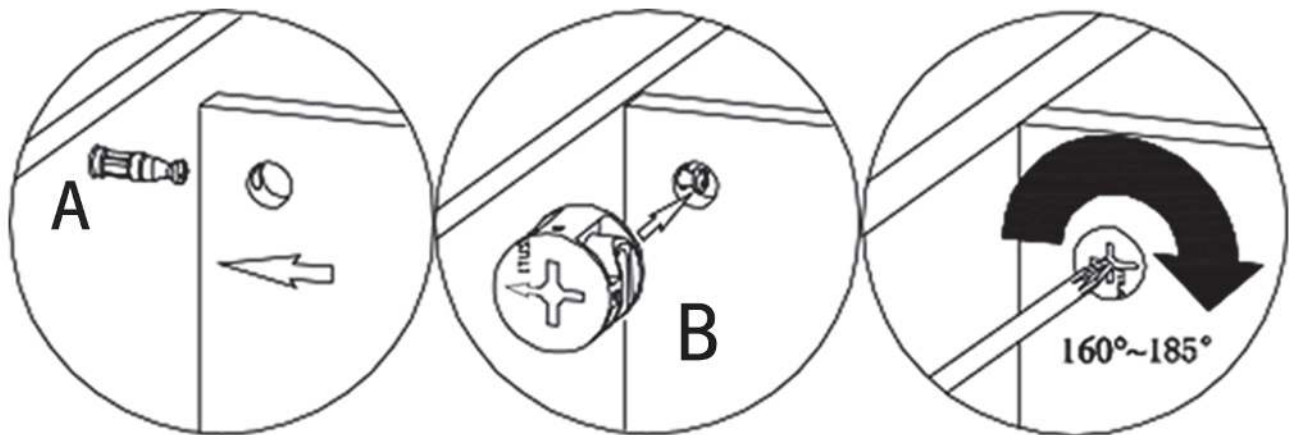
- Please make sure "A" hardware tightened and can't be pulled out





Hardware installation demonstration

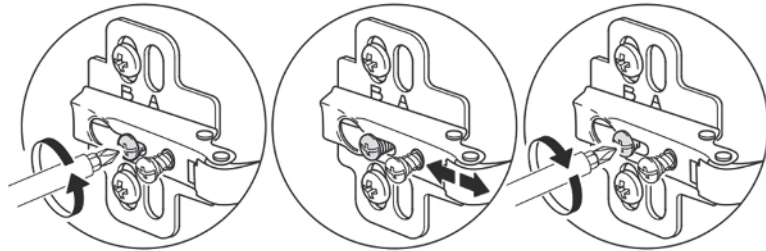
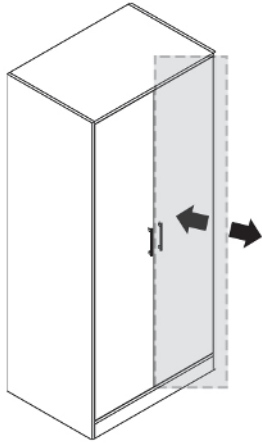
- When inserting cam ensure arrowhead on cam points toward to the hole on the panel edge





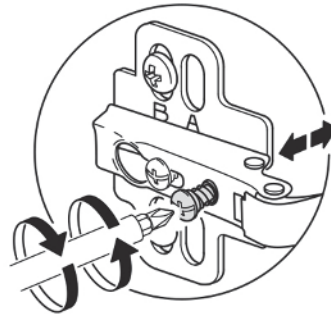
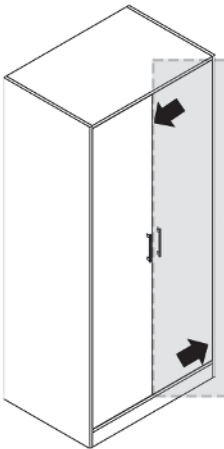
Hardware installation demonstration

Cabinet door front and rear adjustment



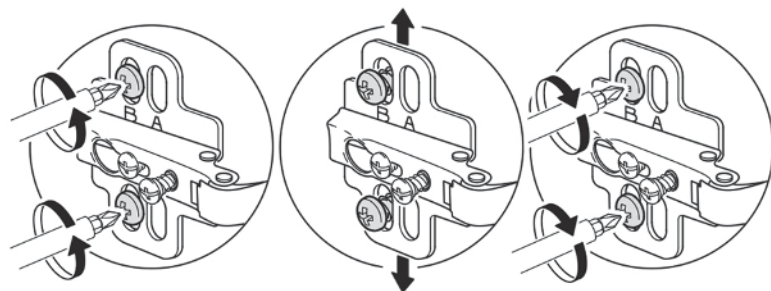
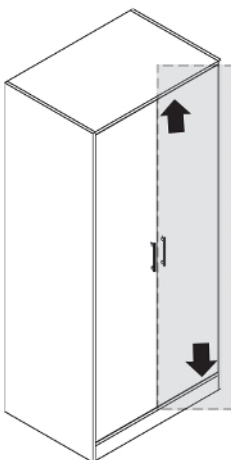
Adjusting screws can change the gap between the door panel and the cabinet side

Cabinet door left and right adjustment



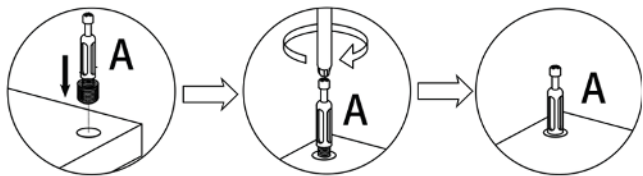
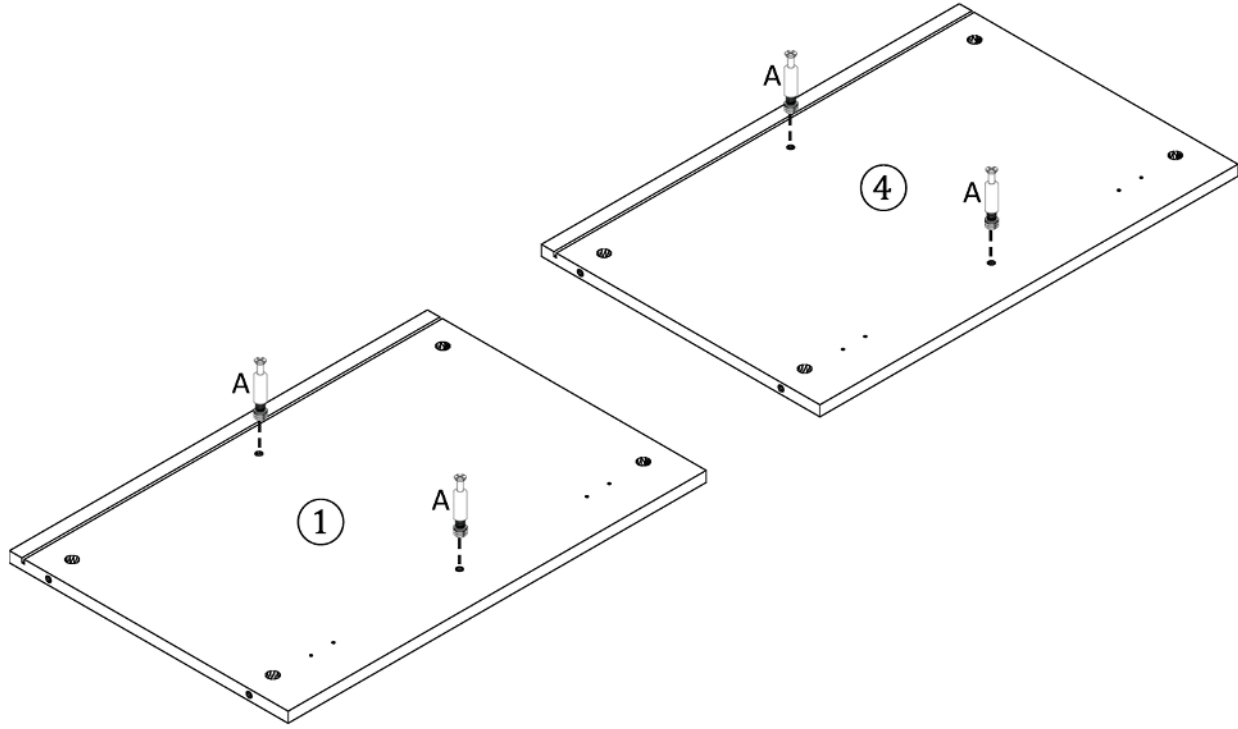
Adjusting screws can change the door panel relative to the cabinet next to the coverage

Cabinet door up and down adjustment

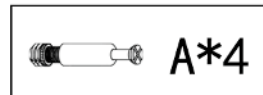
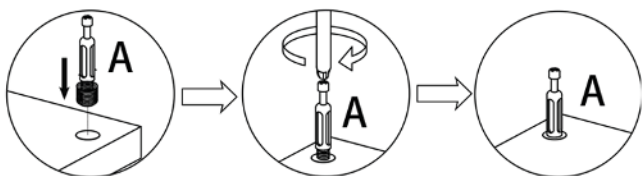
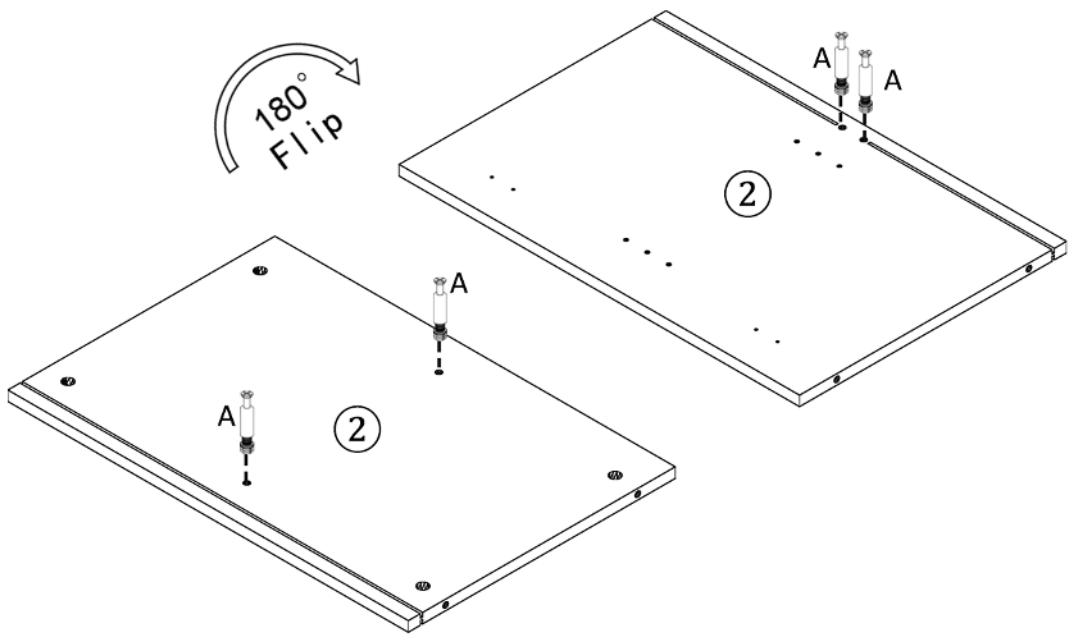


Adjusting screws can correct the upper and lower clearance of the door panel

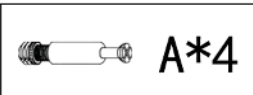
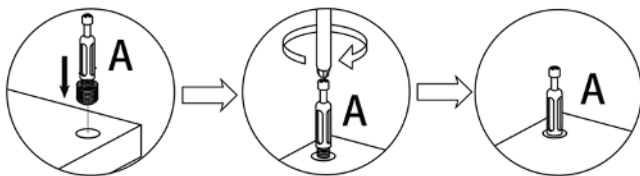
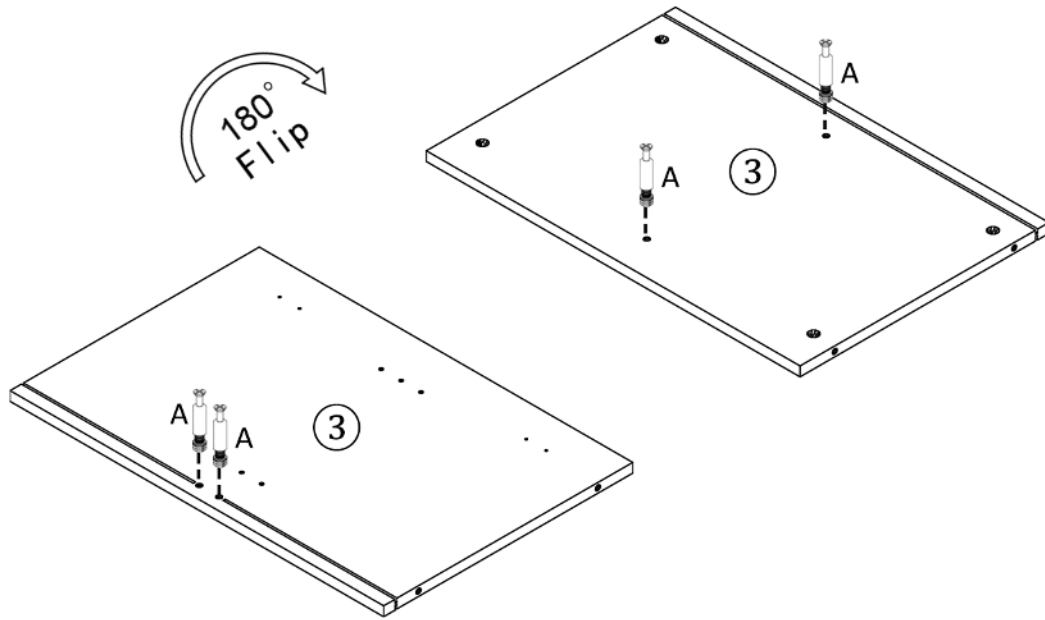
STEP 1



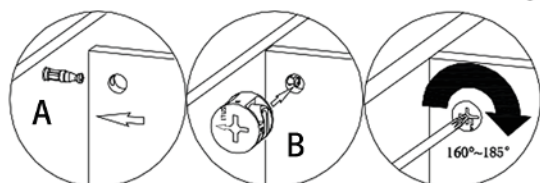
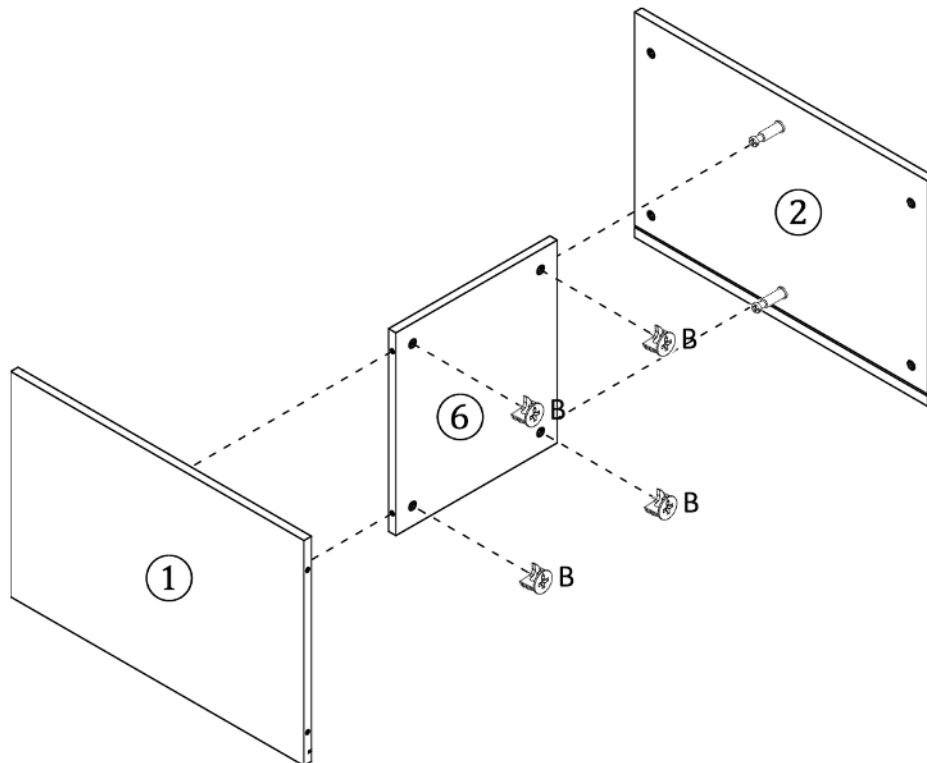
STEP 2



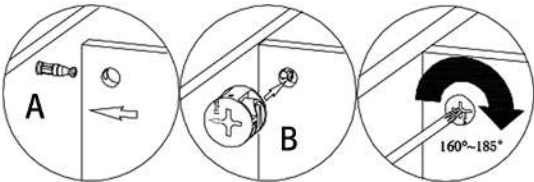
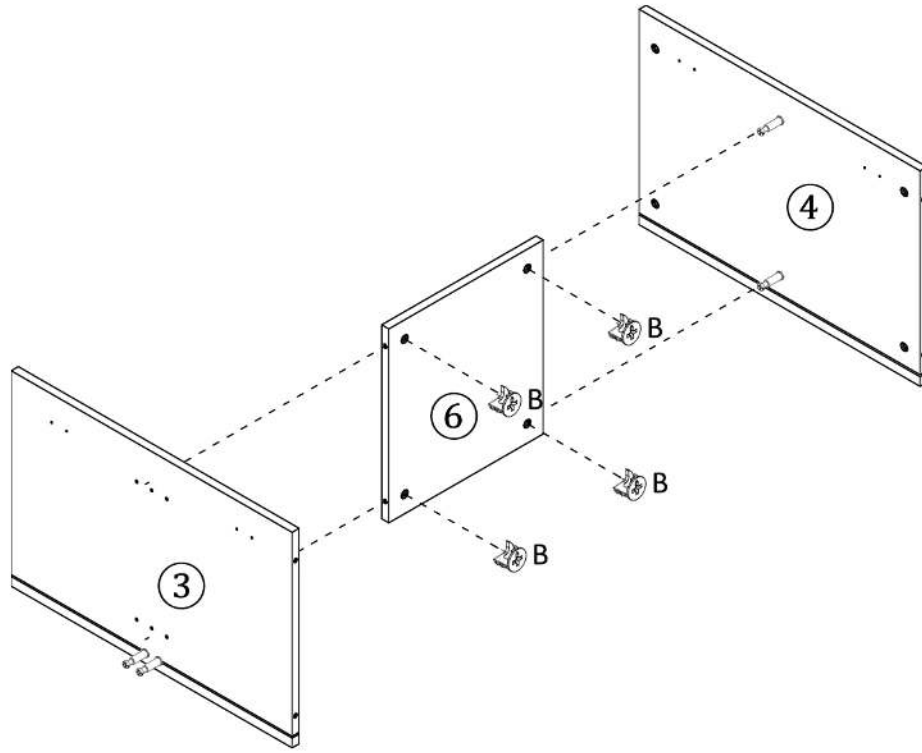
STEP 3



STEP 4

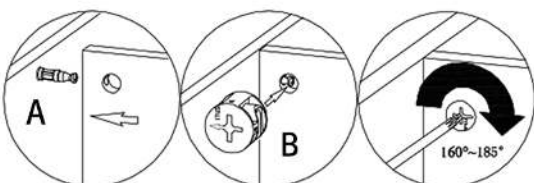
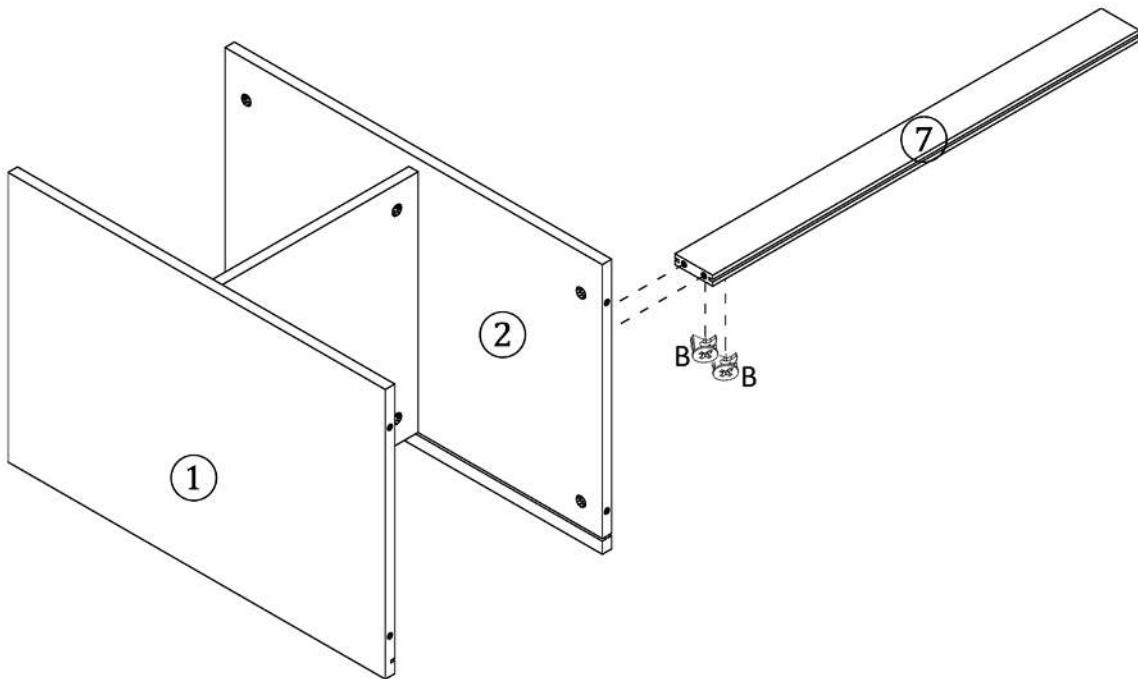


STEP 5



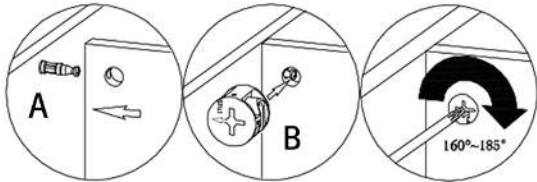
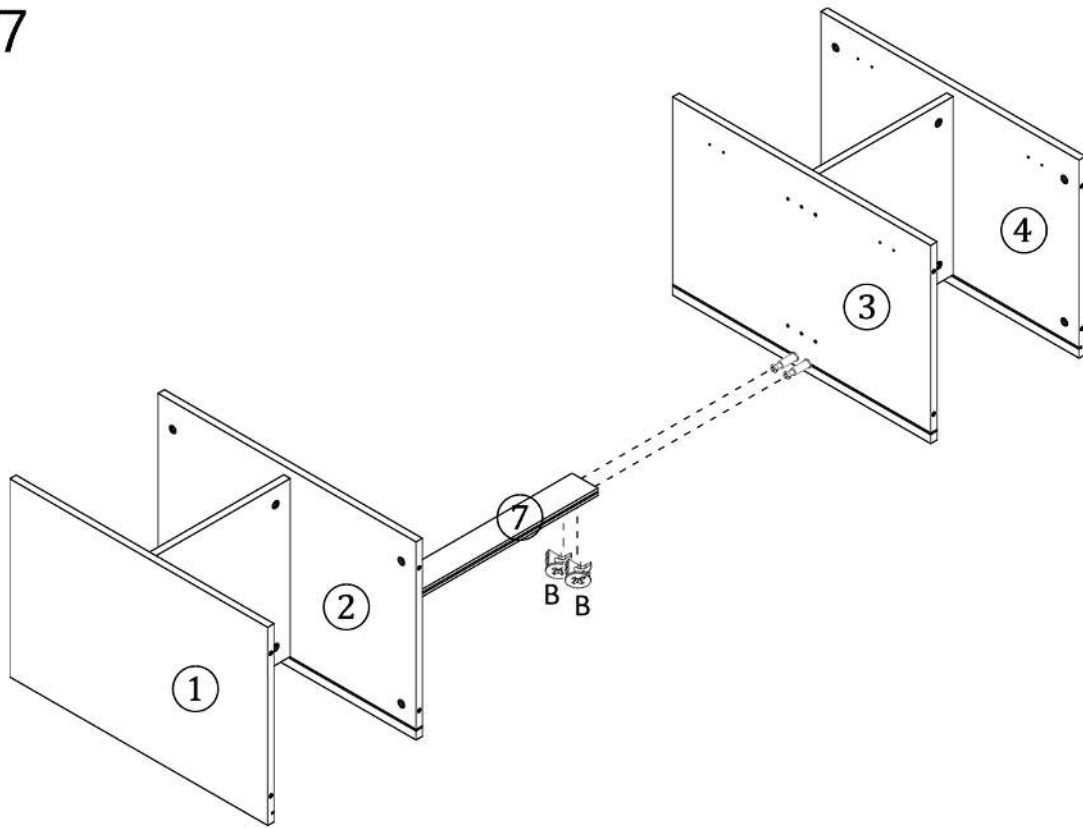
B*4

STEP 6

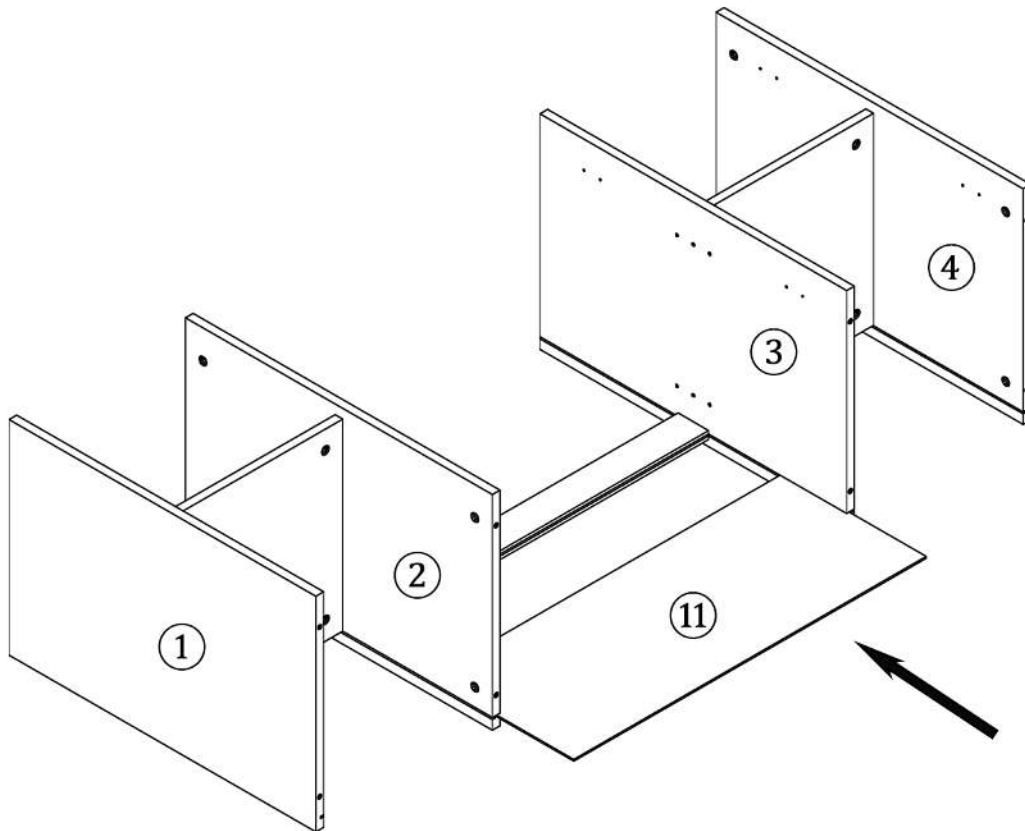


B*2

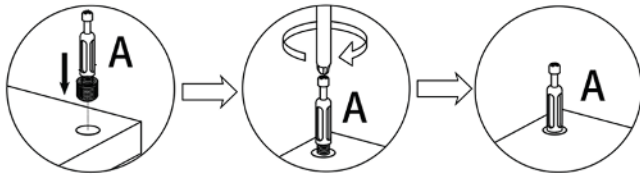
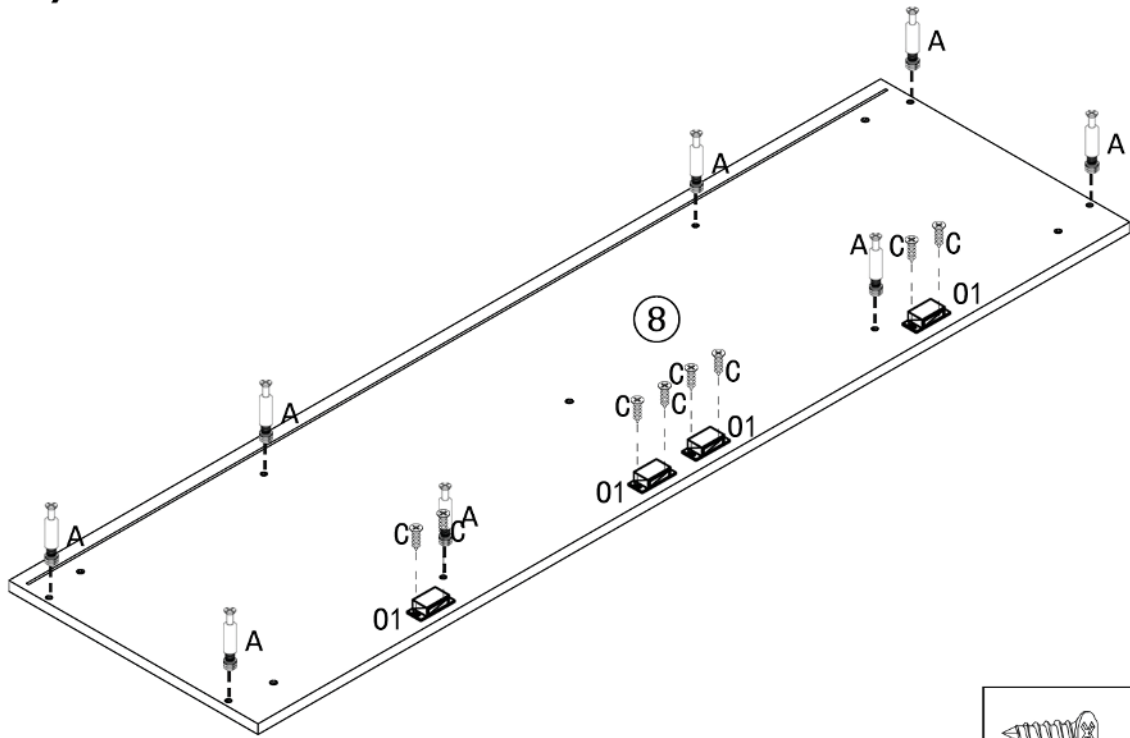
STEP 7



STEP 8

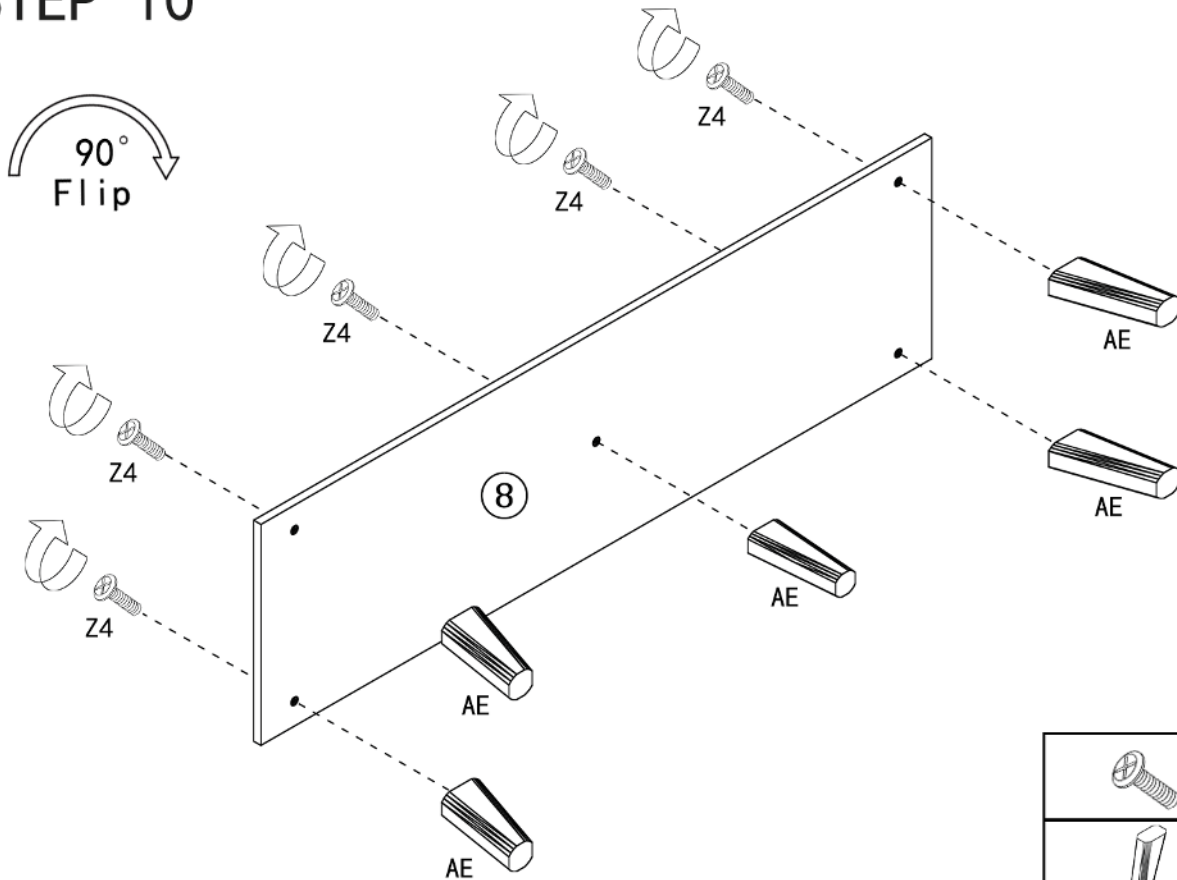


STEP 9



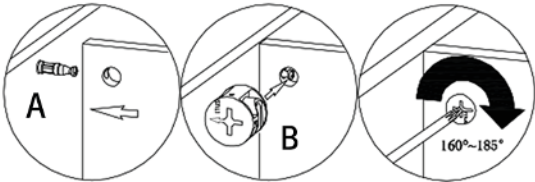
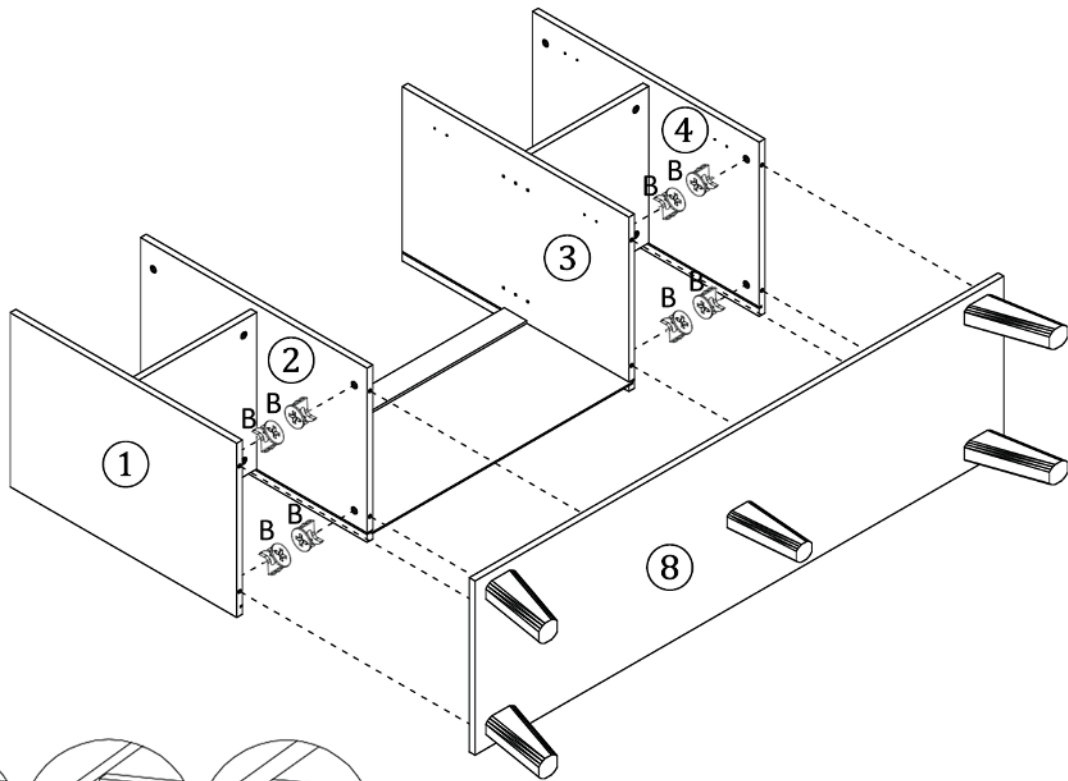
	C*8
	01*4
	A*8

STEP 10



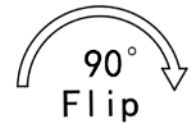
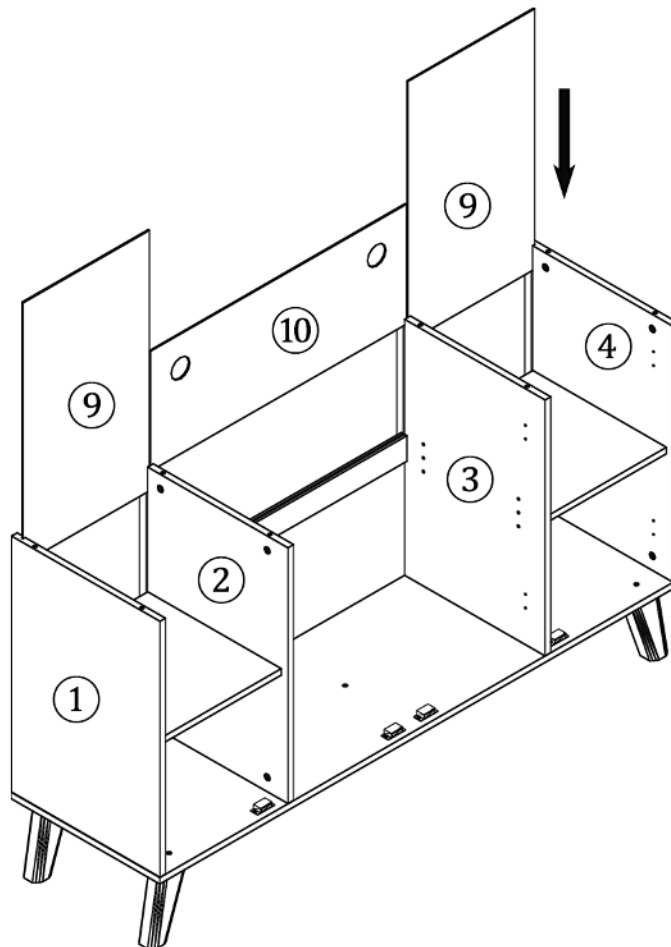
	Z4*5
	AE*4
	AE*1

STEP 11

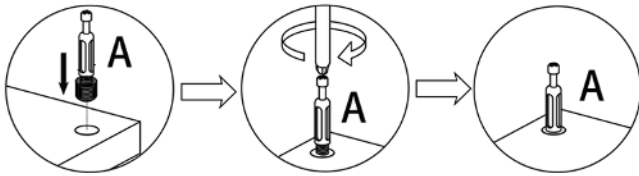
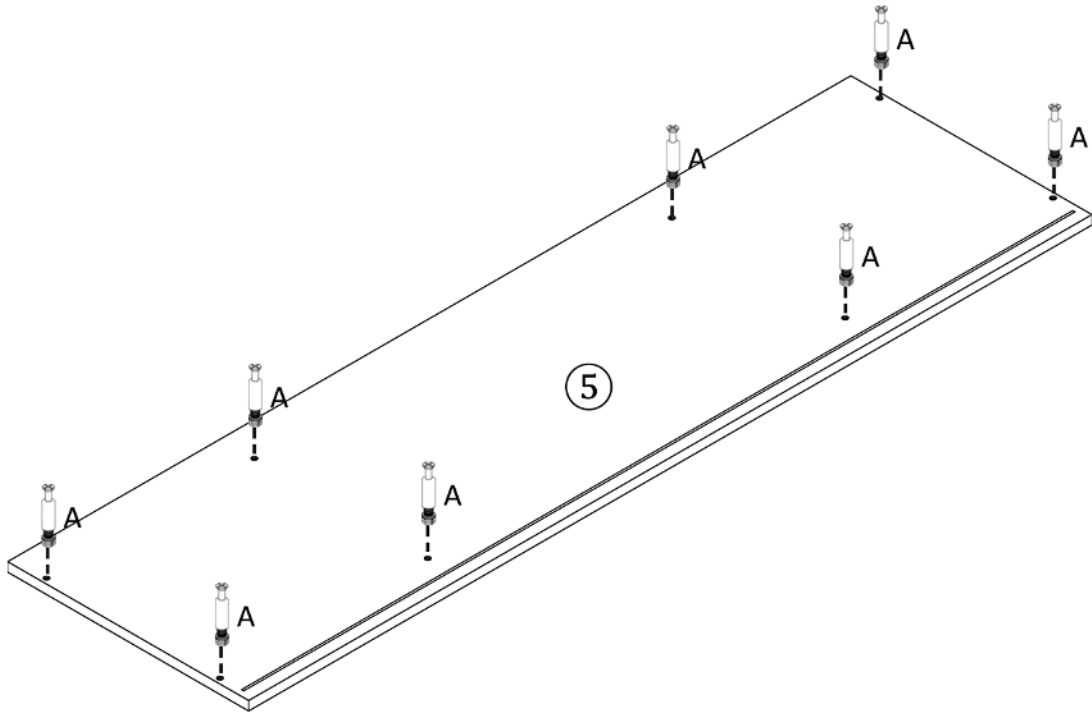


B*8

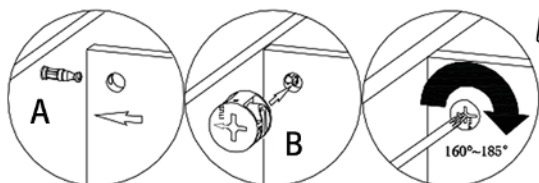
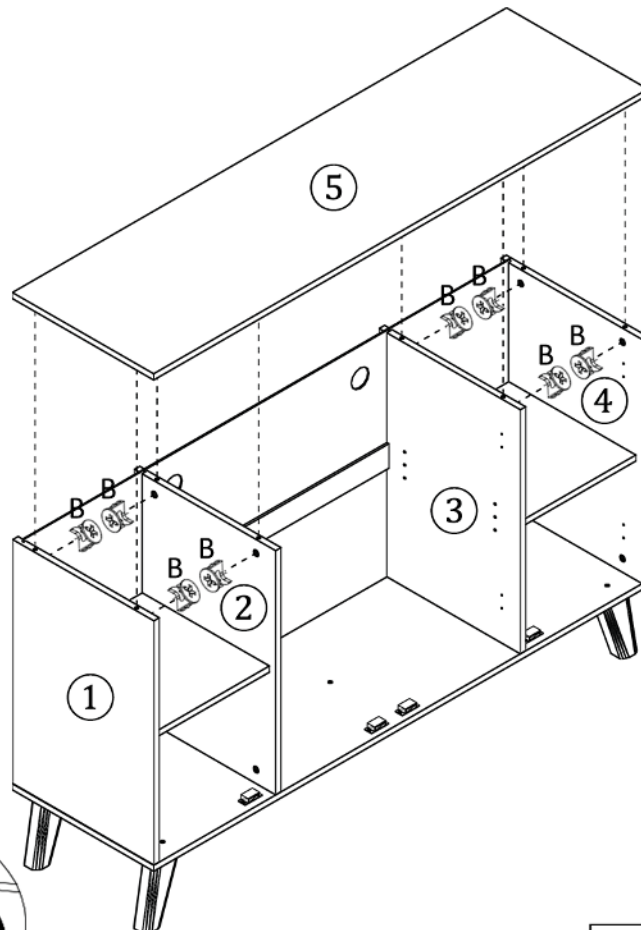
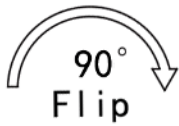
STEP 12



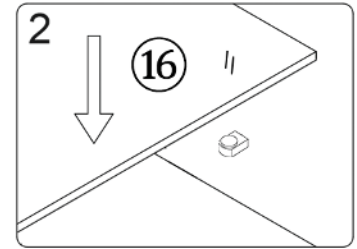
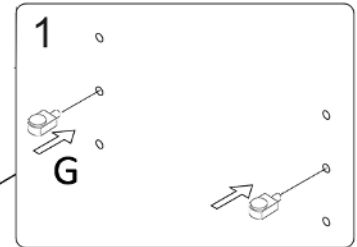
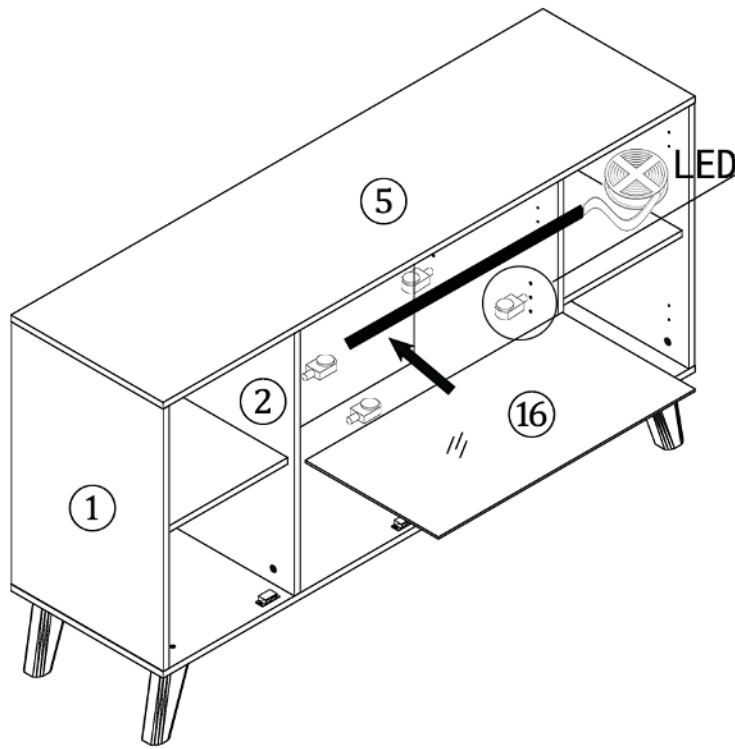
STEP 13



STEP 14

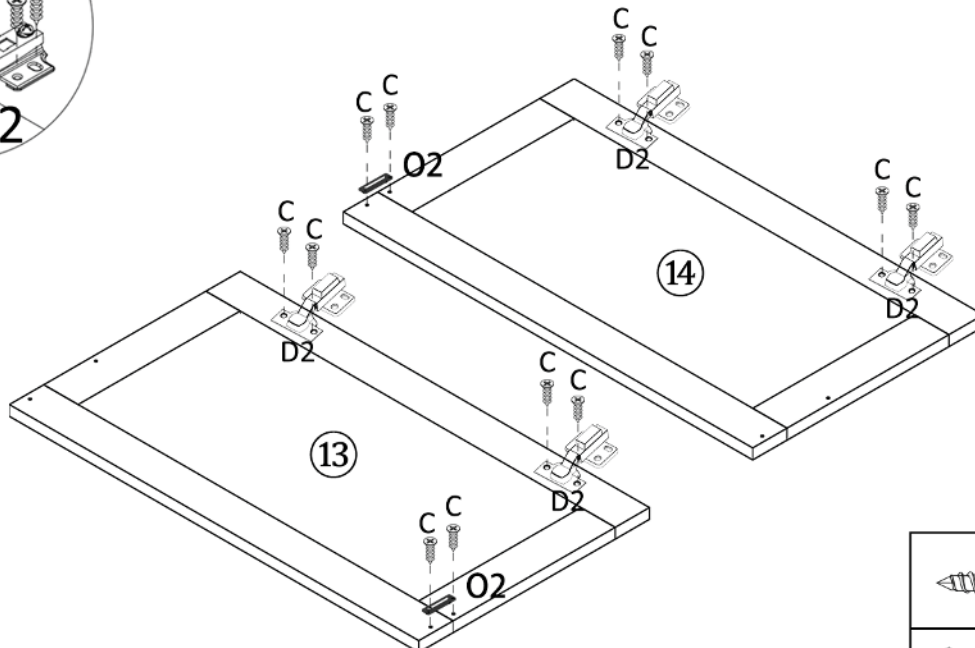
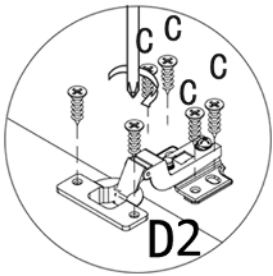


STEP 15

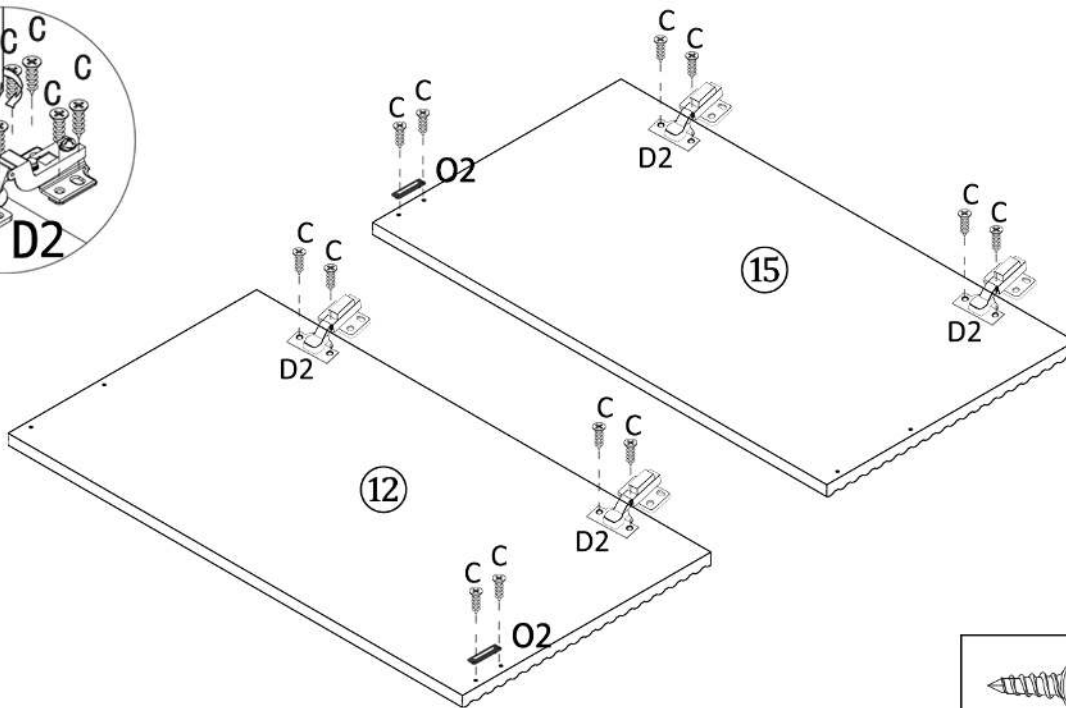
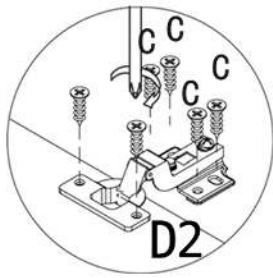


Please attach the LED strip to the back of Boards 5

STEP 16



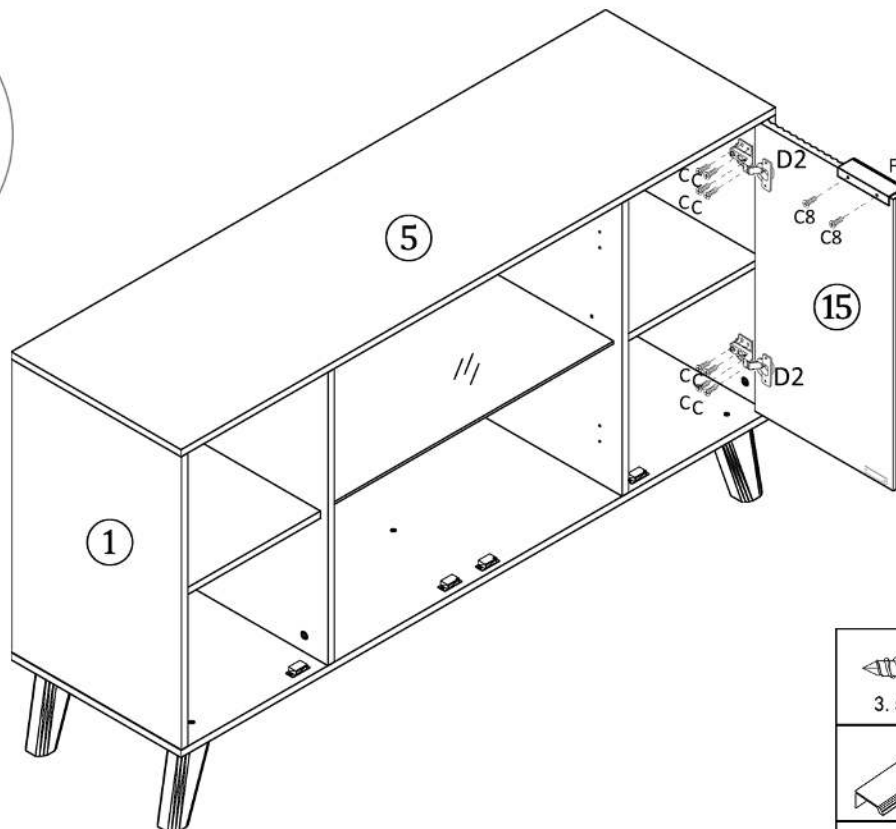
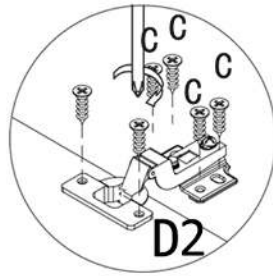
STEP 17



	C*12
	D2*4
	O2*2

STEP 18

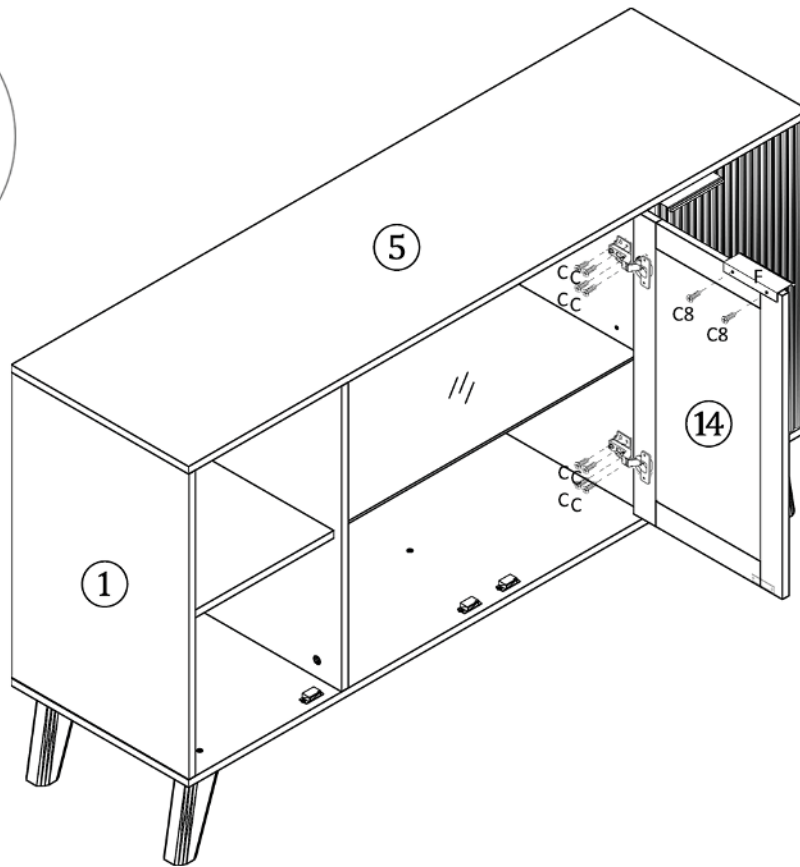
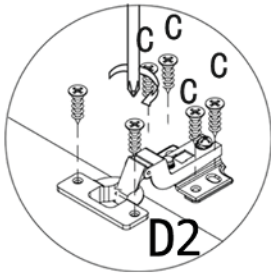
⚠ Please use screws according to the specific size, do not confuse them.

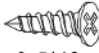

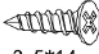


	C8*2 3.5*12
	F*1
	C*8 3.5*14

STEP 19

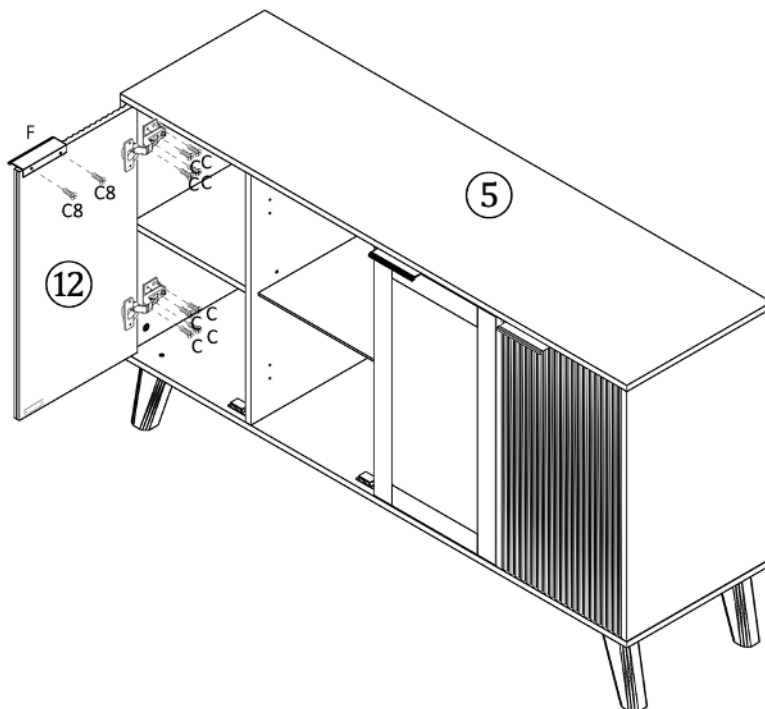
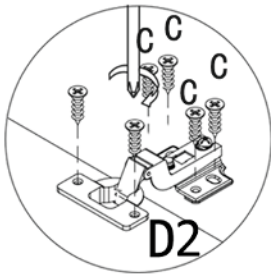
⚠ Please use screws according to the specific size, do not confuse them.


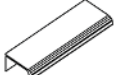
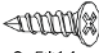


 3.5*12	C8*2
	F*1
 3.5*14	C*8

STEP 20

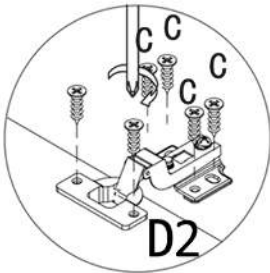
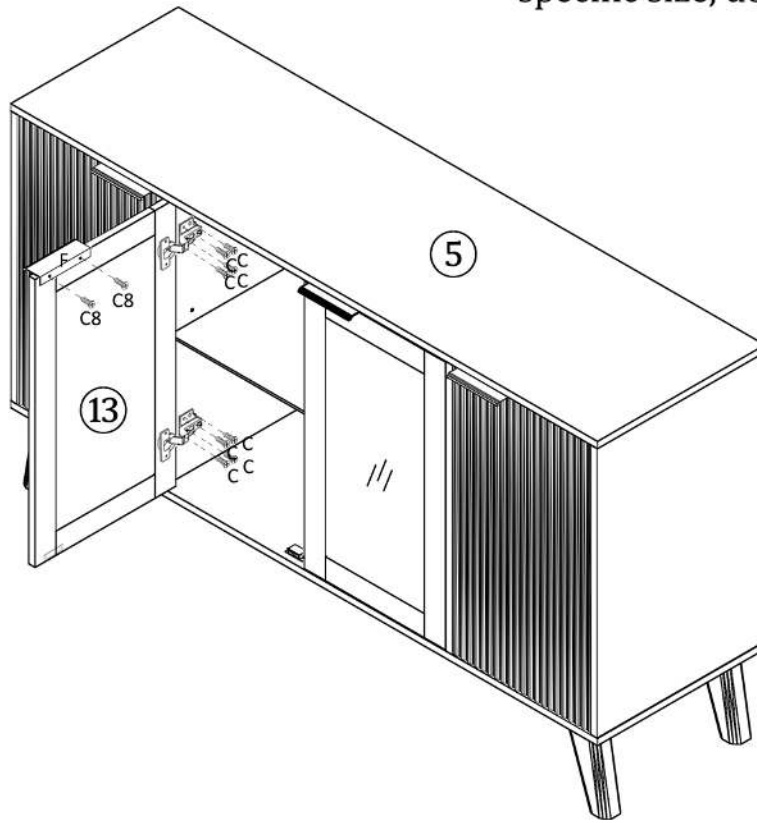
⚠ Please use screws according to the specific size, do not confuse them.






 3.5*12	C8*2
	F*1
 3.5*14	C*8

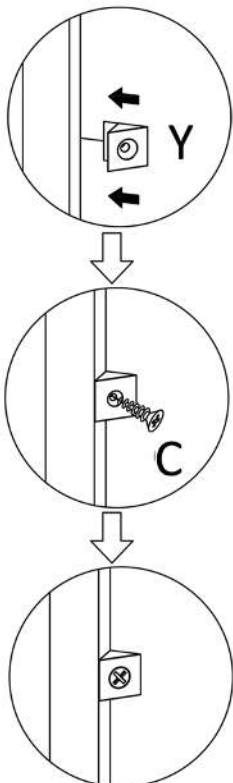
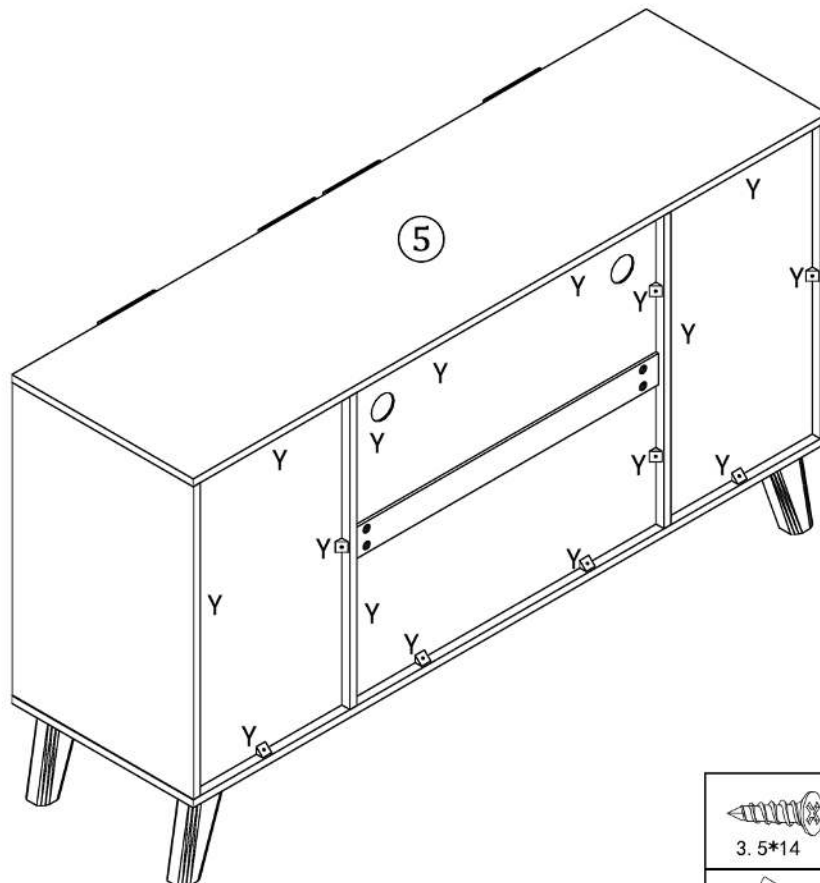
STEP 21

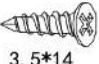

! Please use screws according to the specific size, do not confuse them.



	C8*2
3.5*12	
	F*1
	C*8
3.5*14	

STEP 22



	C*16
3.5*14	
	Y*16

Use tools to install if necessary