

ASSEMBLY INSTRUCTION (Wardrobe)

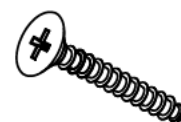
A Ø6x35 (mm): 20 PCS



B Ø3x15 (mm): 27 PCS



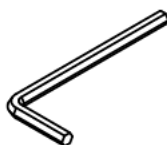
C Ø4x30 (mm): 09 PCS



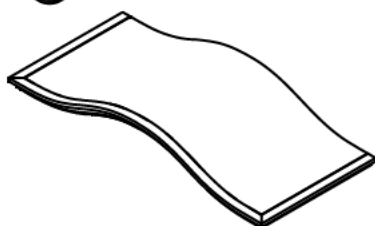
D TN - 065: 2 PCS



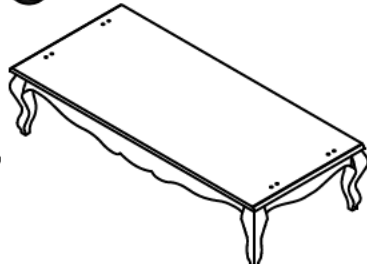
E Ø4 (mm): 1 PC



1 x 1 PC



2 x 1 PC



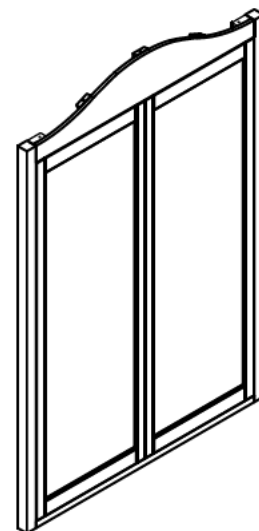
3 x 1 PC



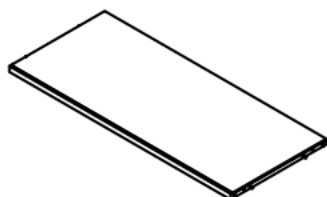
4 x 1 PC



5 x 1 PC



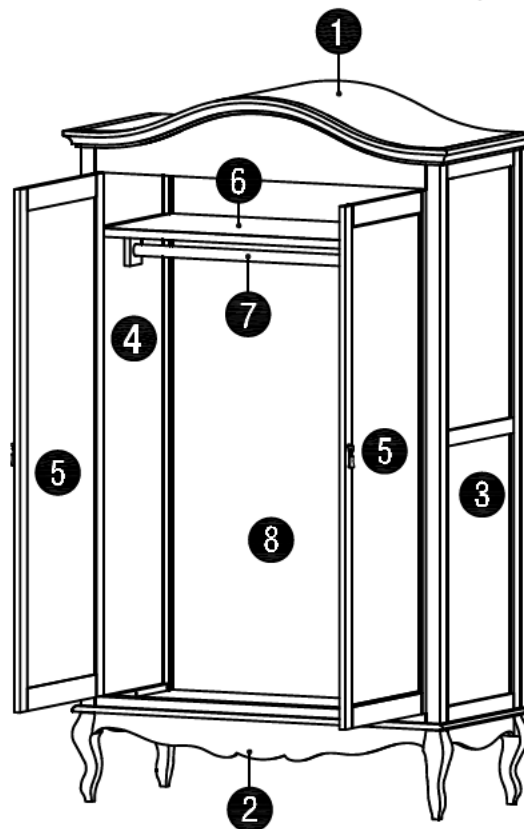
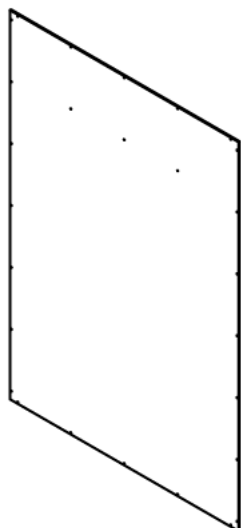
6 x 1 PC



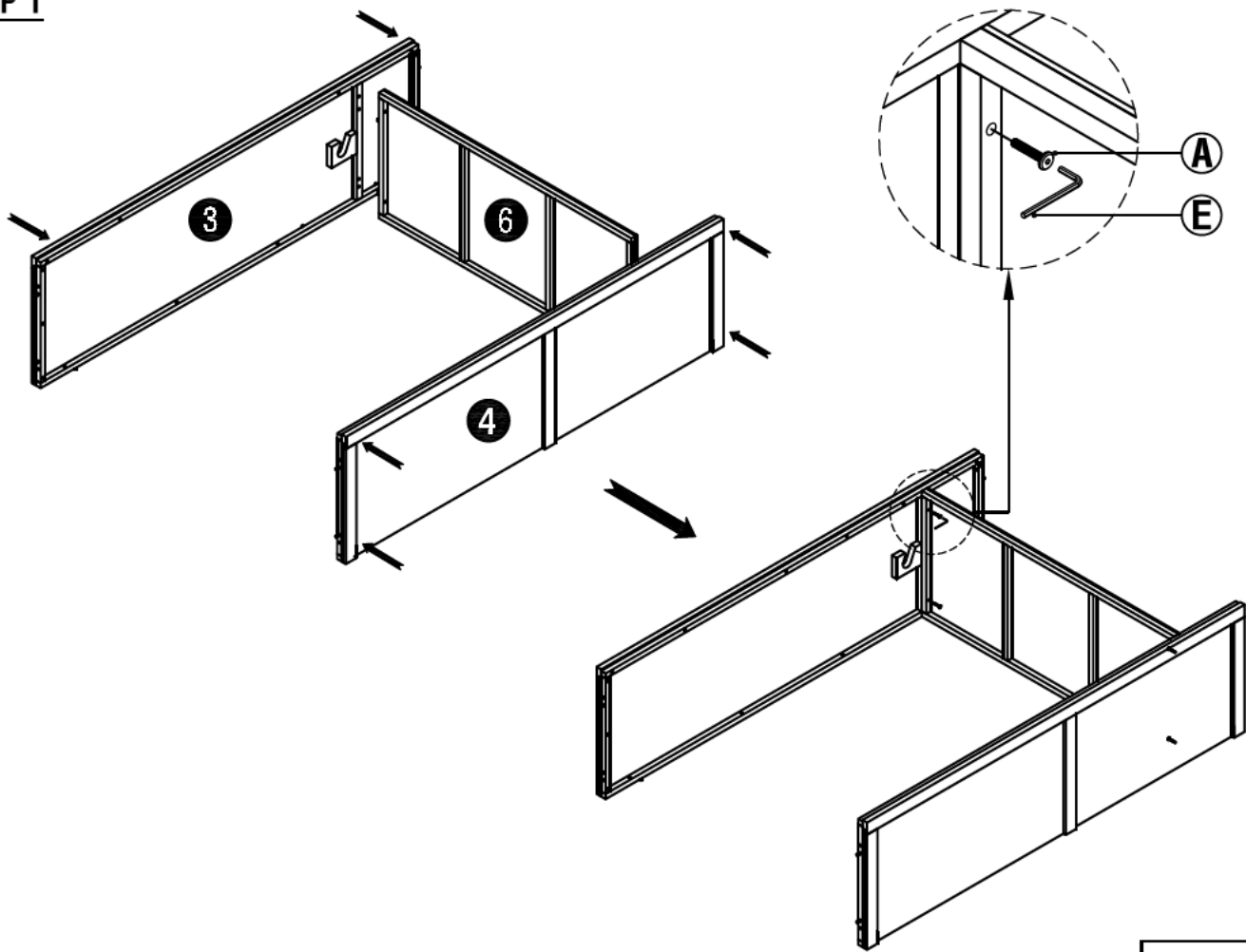
7 x 1 PC



8 x 1 PC

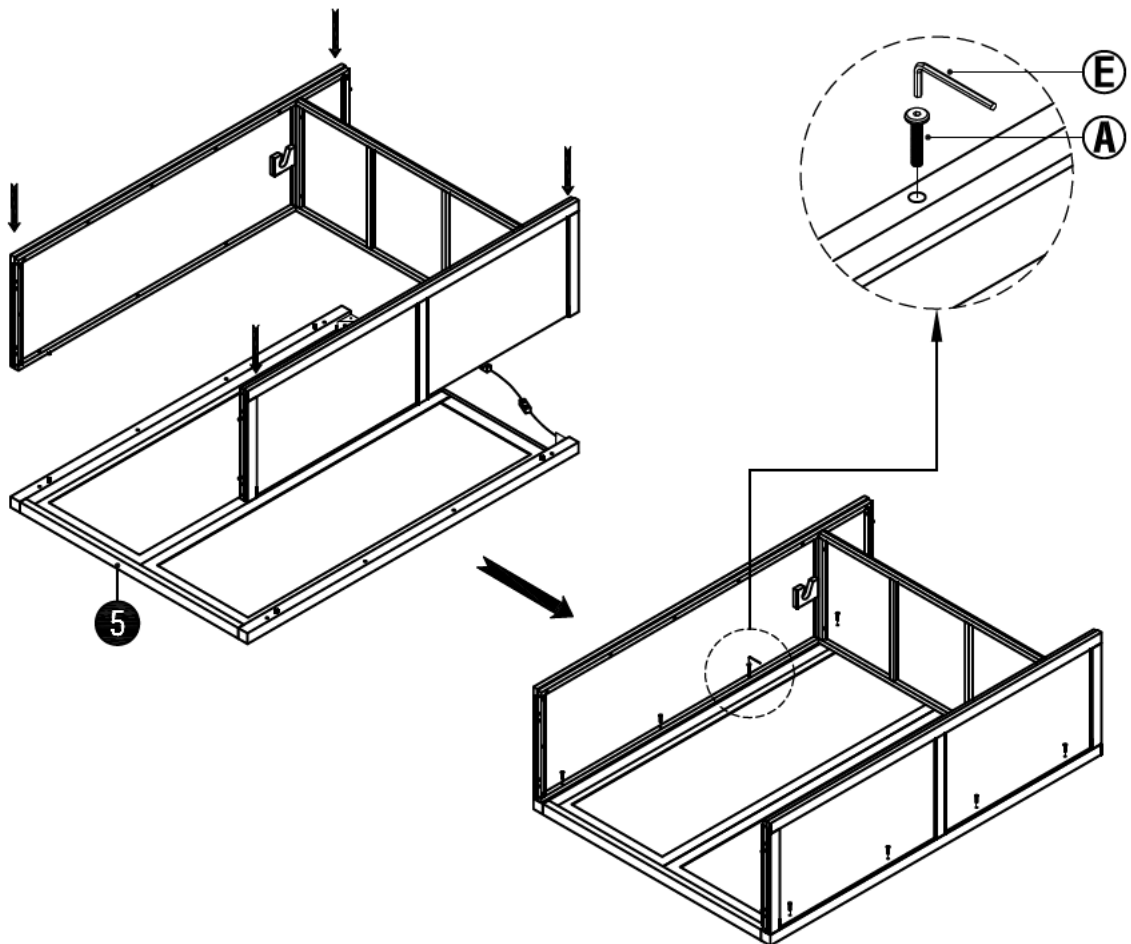


STEP 1



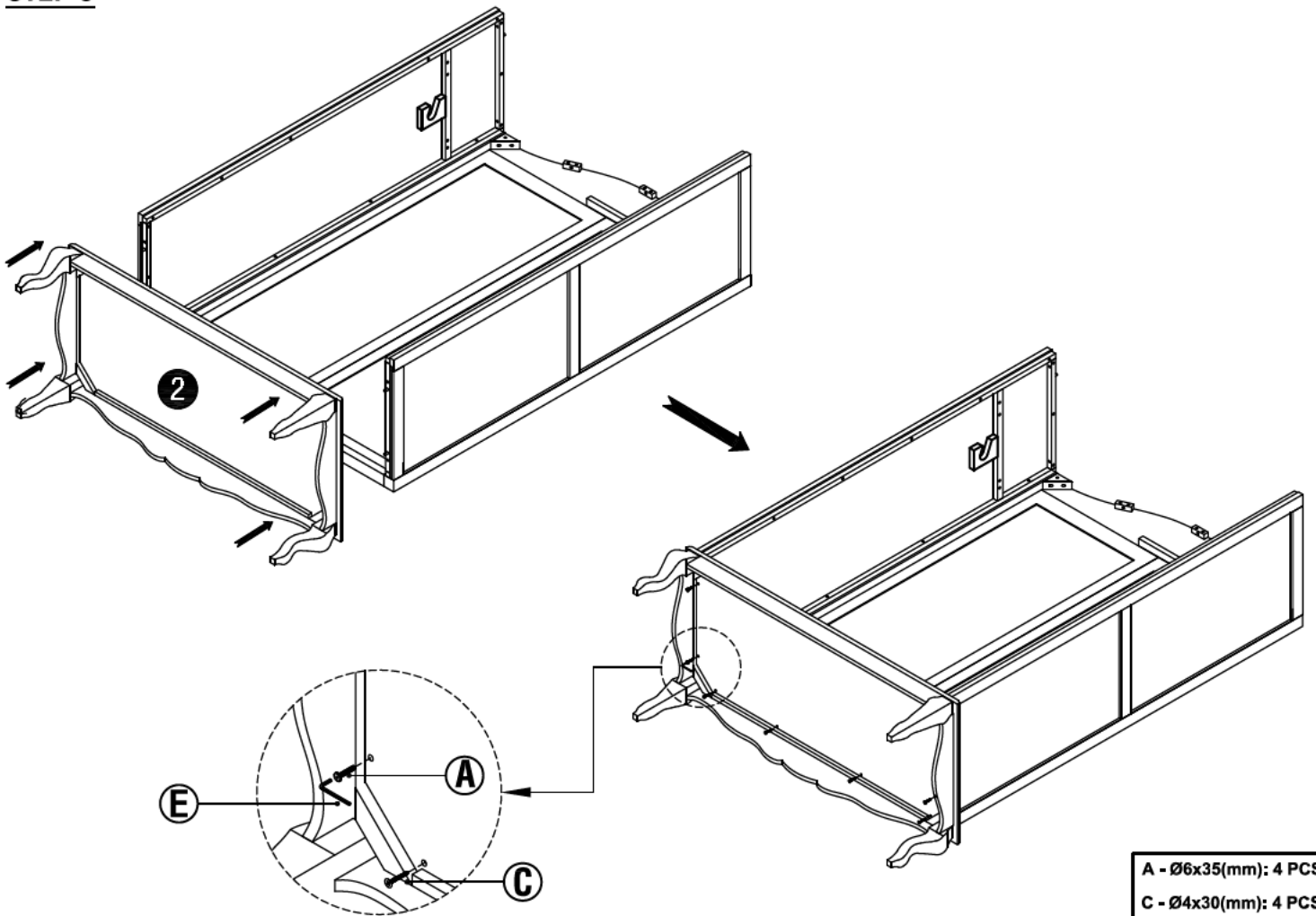
A - Ø6x35(mm): 4 PCS
E - Ø4(mm) : 1 PC

STEP 2

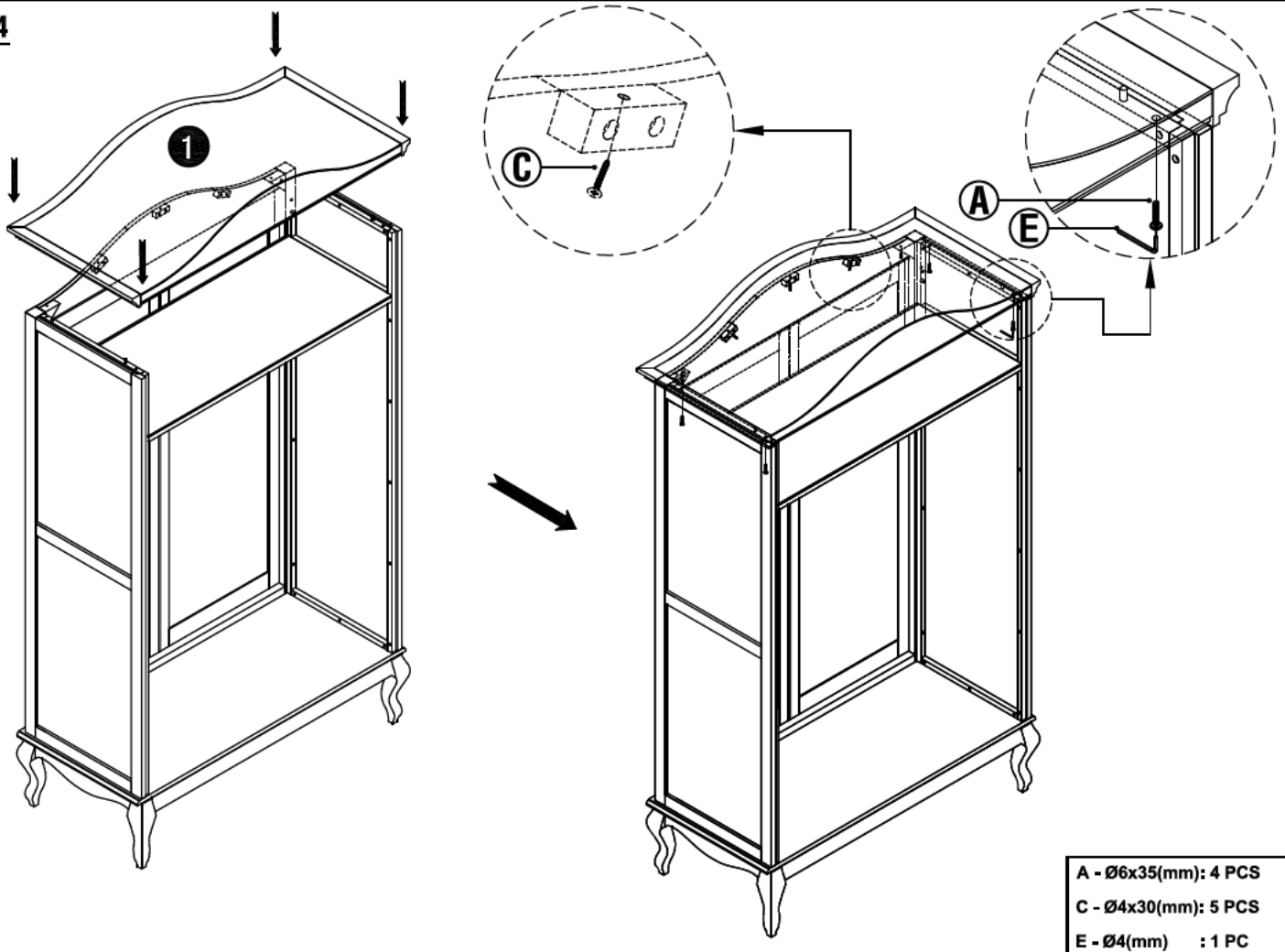


A - Ø6x35(mm): 8 PCS
E - Ø4(mm) : 1 PC

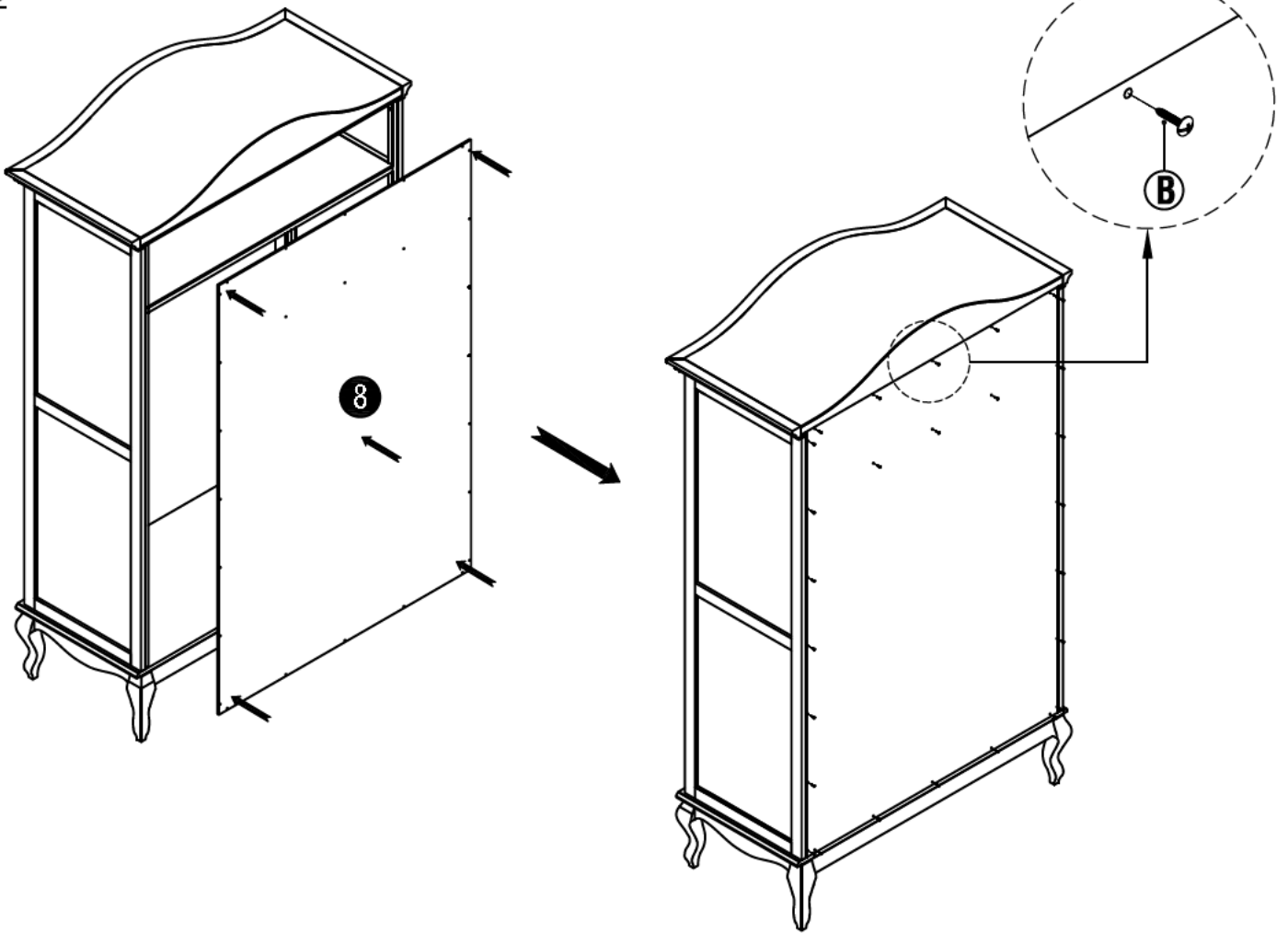
STEP 3



STEP 4

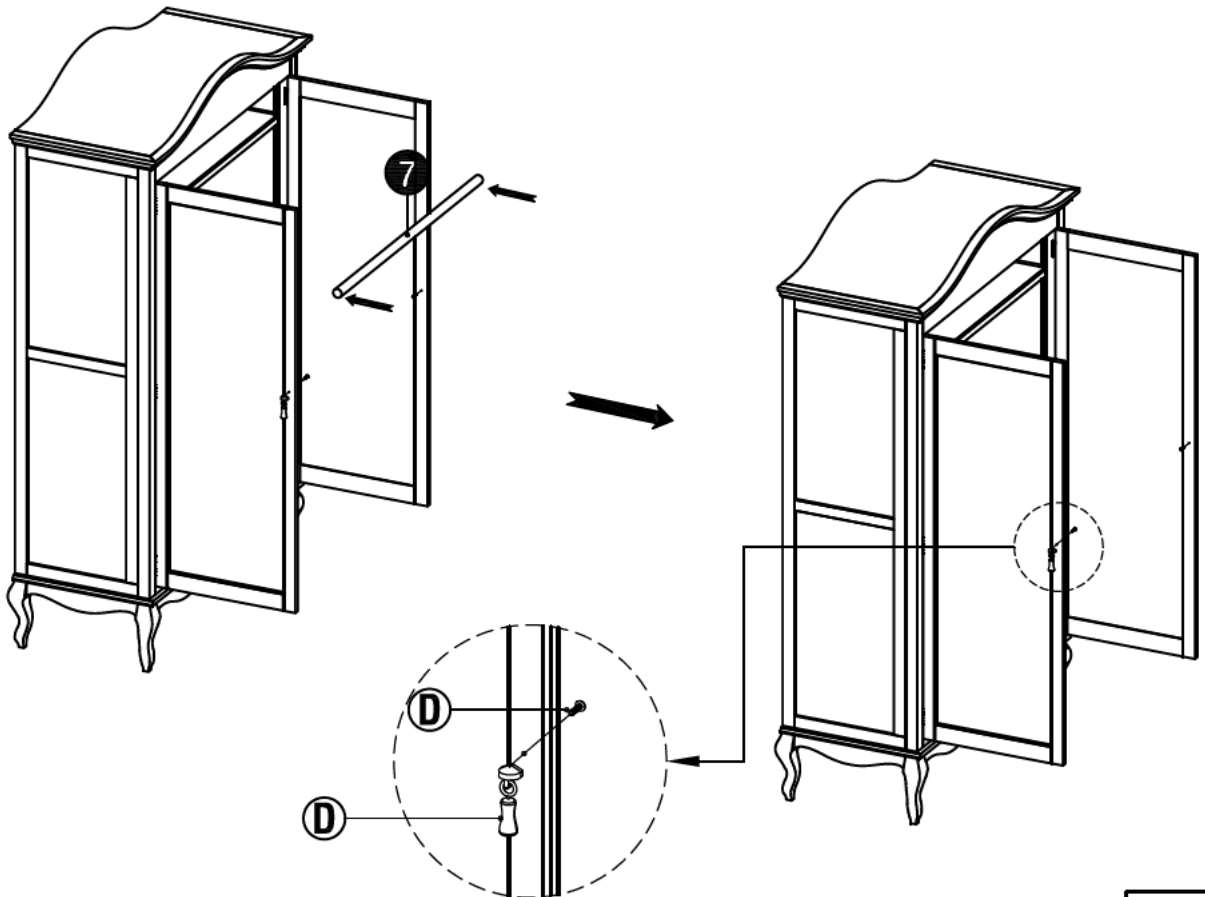


STEP 5



B - Ø3x15(mm): 27 PCS

STEP 6



D - TN - 065 : 2 PCS