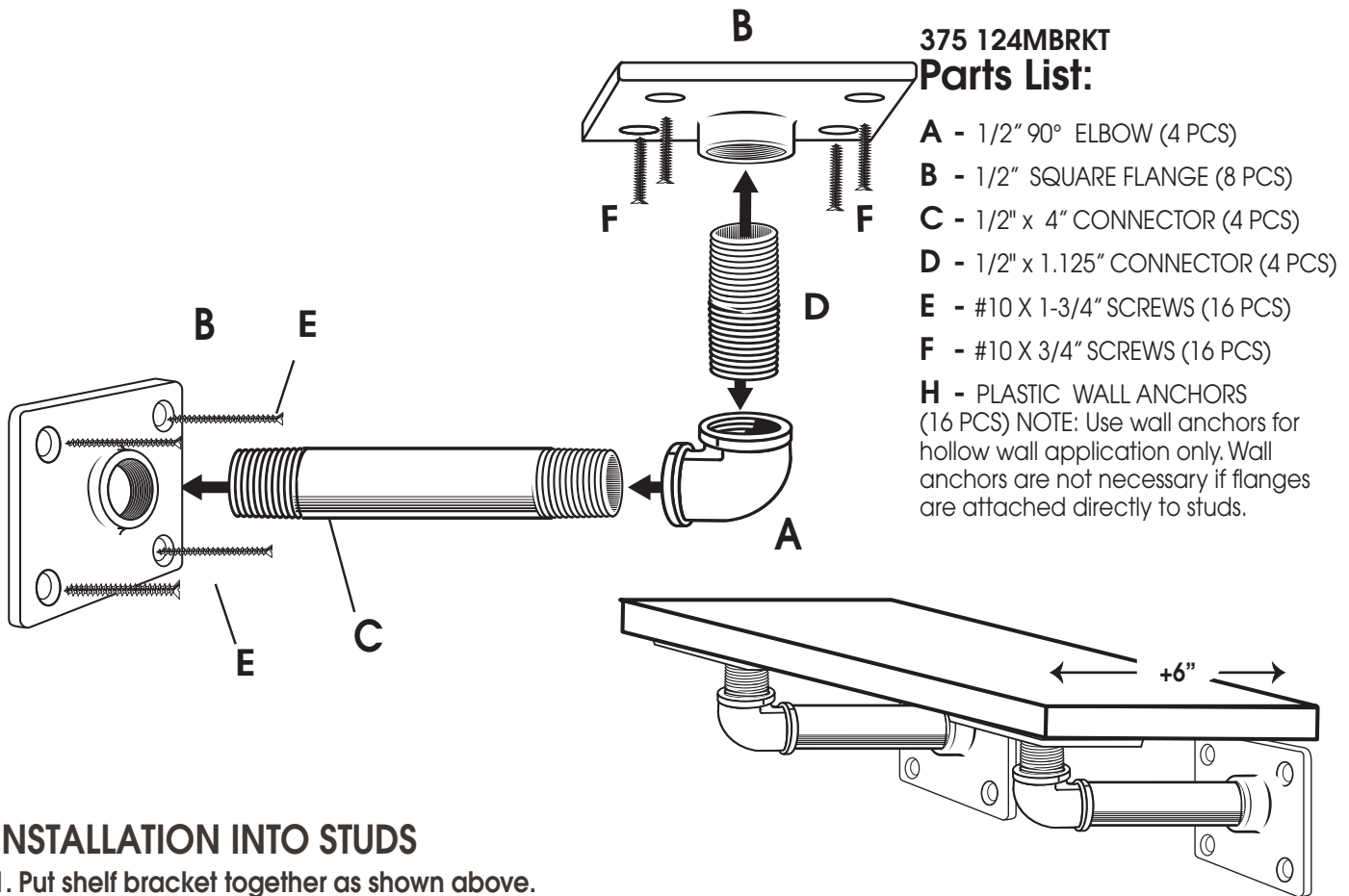


4" Shelf Bracket With Wood

We take pride in our customer service and your satisfaction is very important to us. If you have any questions or problems please contact us right away. Thank you for your business!



INSTALLATION INTO STUDS

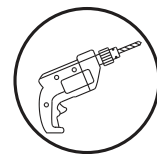
1. Put shelf bracket together as shown above.
2. Mark holes on wall with flange.
3. Use anchors for the holes that are not marked on the stud, see anchor info in below instructions.
4. Using #10 1-3/4" screws provided, drill flange into wall.
5. Attach shelf to flange using provided #10 3/4" screws.

INSTALLATION INTO DRYWALL

NOTE: It is recommended that you install into stud for sturdier hold.

1. Put shelf bracket together as shown above.
2. Mark holes on wall with flange.
3. Drill 1/4" pilot holes into wall.
4. Install anchors - push anchors into the predrilled holes. Make sure the anchors are pushed fully into the wall, this may require light hammering.
5. Using #10 1-3/4" screws provided, drill flange into the wall.
6. Attach shelf to flange using provided # 10 3/4" screws.

RECOMMENDED TOOLS



RECOMMENDED
DRILL WITH 1/4" BIT
FOR WALL ANCHOR

PREPPING THE PIPE

VERY IMPORTANT: These are all authentic malleable iron and require necessary cleaning and prepping; do not skip this step.

1. Clean and dry all the parts with gentle soap.
2. Use a lint-free rag to apply metal polish to the parts.
3. Use metal polish, clear coat paint to seal the dry pipe.