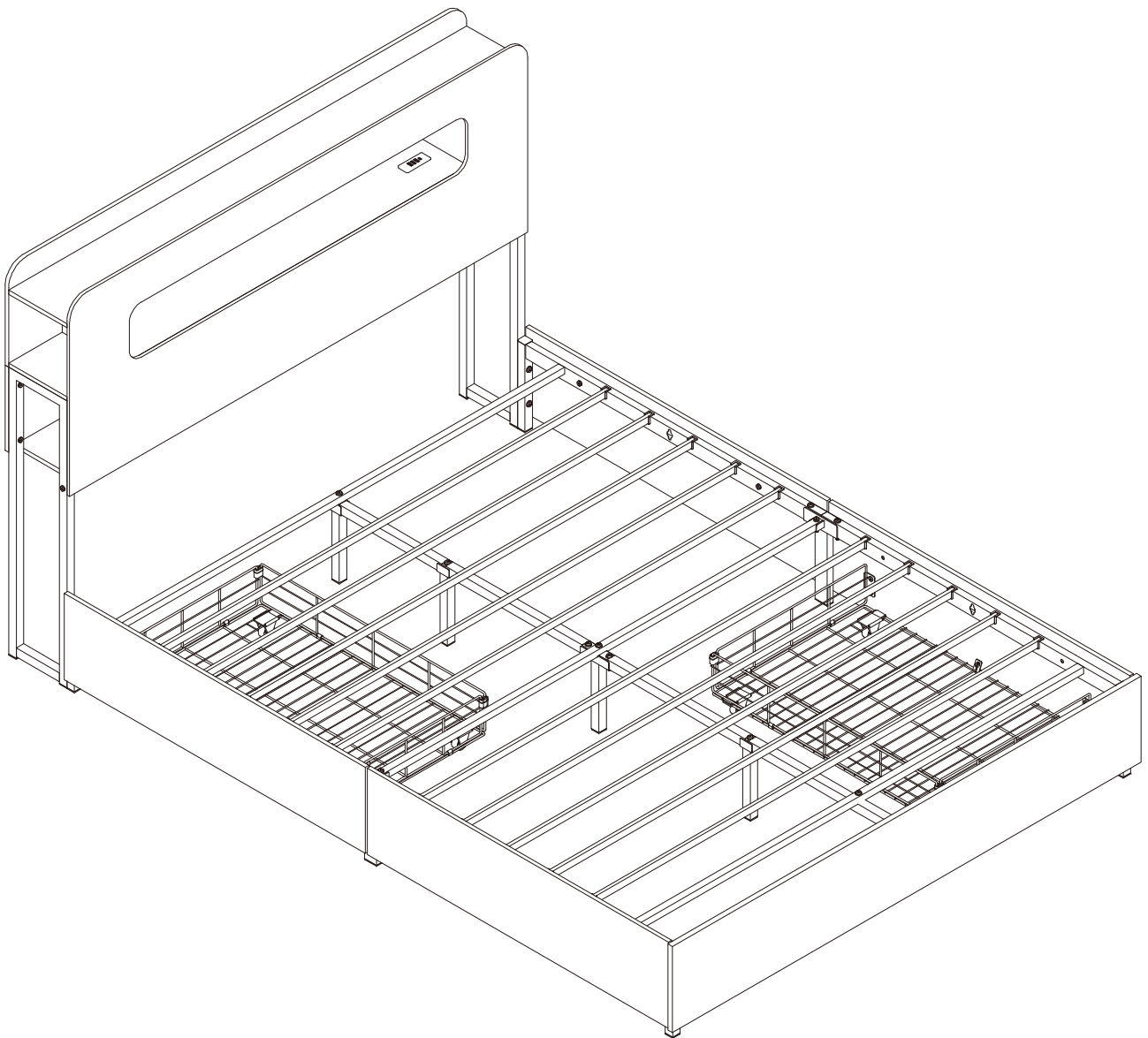


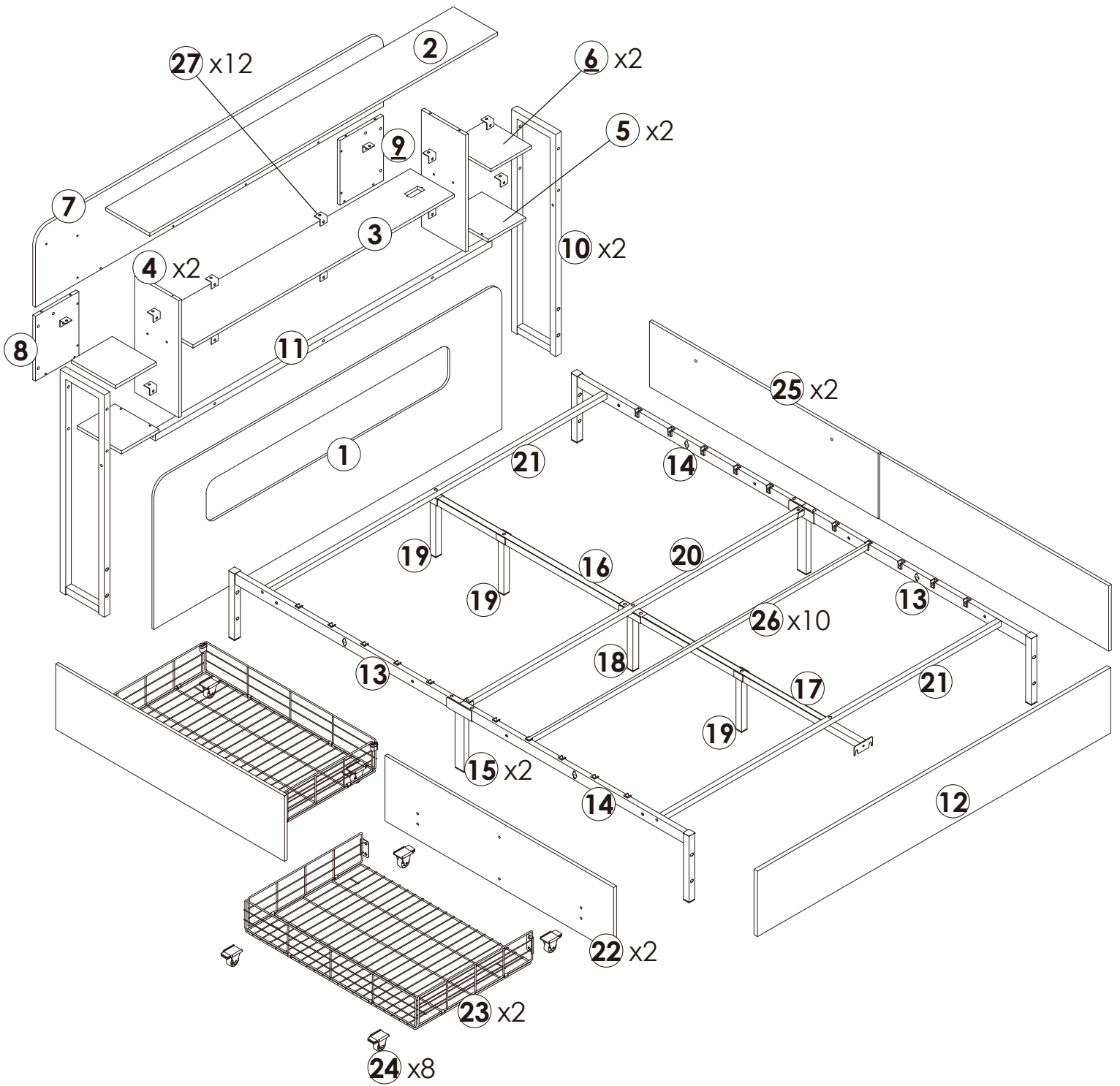
# User's Manual

---

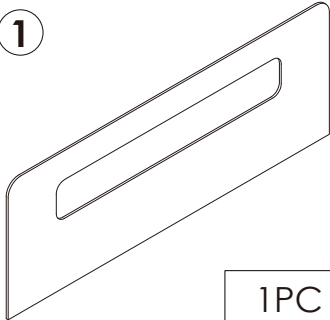
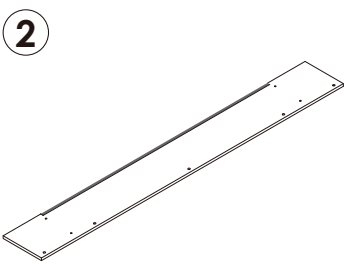
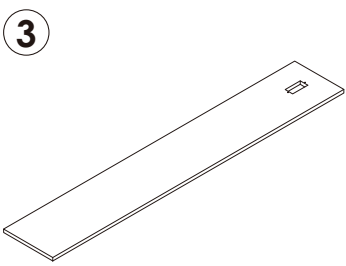
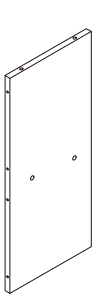
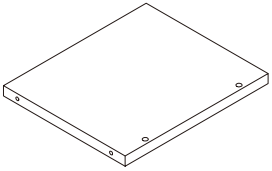
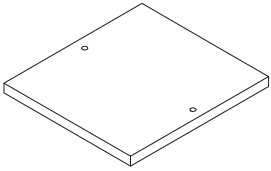
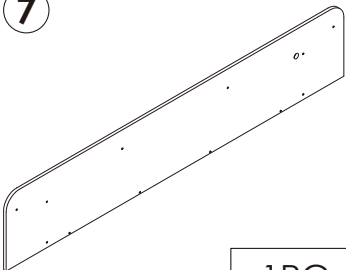
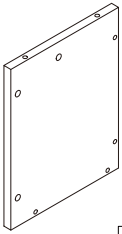
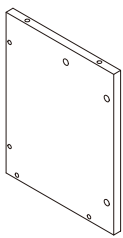
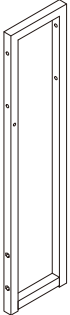
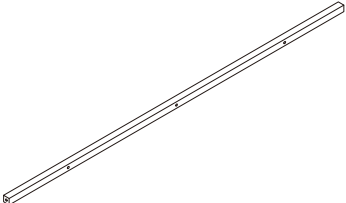
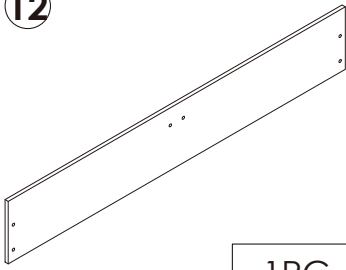
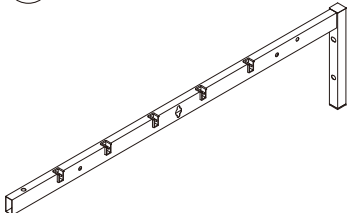
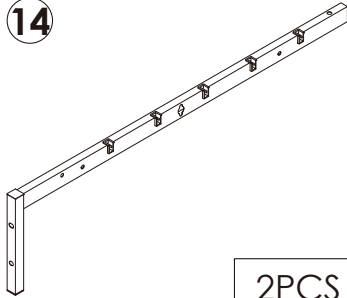
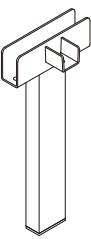
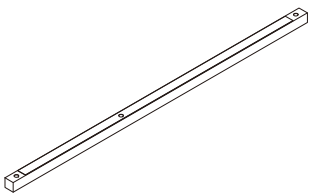
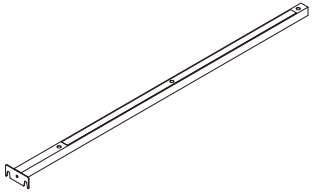
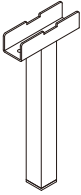

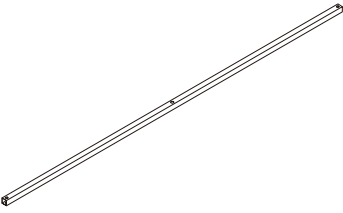
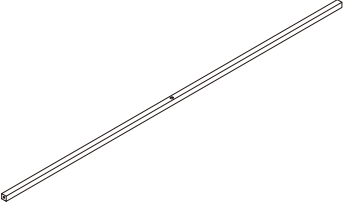
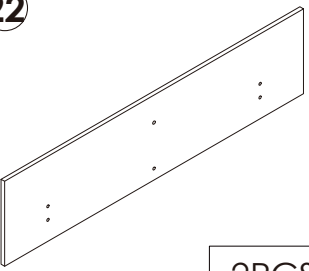
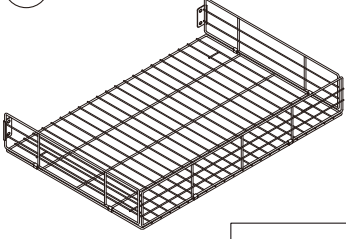
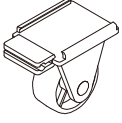
## Bed Frame



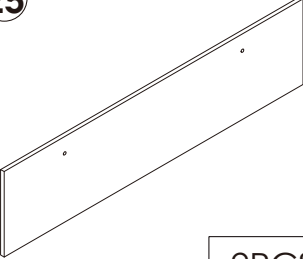
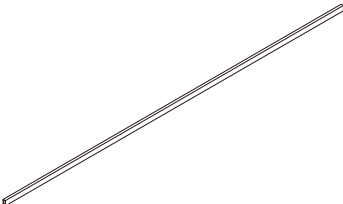
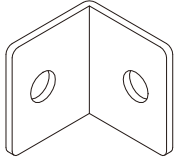
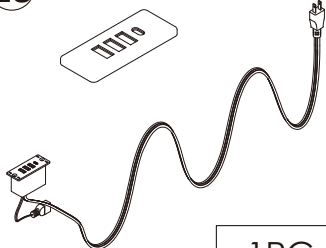
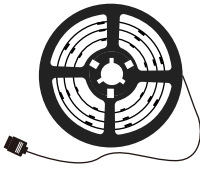
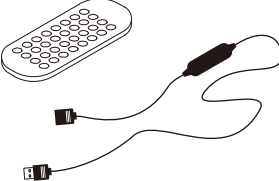
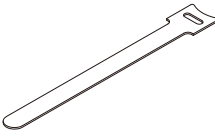
# Parts list



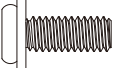

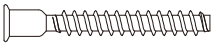



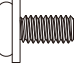
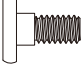
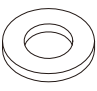
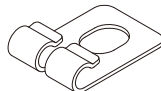
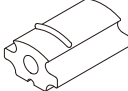
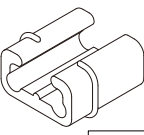


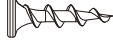
# Parts list

 <p>1</p> <p>1PC</p>	 <p>2</p> <p>1PC</p>	 <p>3</p> <p>1PC</p>	 <p>4</p> <p>2PCS</p>
 <p>5</p> <p>2PCS</p>	 <p>6</p> <p>2PCS</p>	 <p>7</p> <p>1PC</p>	 <p>8</p> <p>1PC</p>
 <p>9</p> <p>1PC</p>	 <p>10</p> <p>2PCS</p>	 <p>11</p> <p>1PC</p>	 <p>12</p> <p>1PC</p>
 <p>13</p> <p>2PCS</p>	 <p>14</p> <p>2PCS</p>	 <p>15</p> <p>2PCS</p>	 <p>16</p> <p>1PC</p>
 <p>17</p> <p>1PC</p>	 <p>18</p> <p>1PC</p>	 <p>19</p> <p>3PCS</p>	 <p>20</p> <p>1PC</p>
 <p>21</p> <p>2PCS</p>	 <p>22</p> <p>2PCS</p>	 <p>23</p> <p>2PCS</p>	 <p>24</p> <p>8PCS</p>

## Parts list

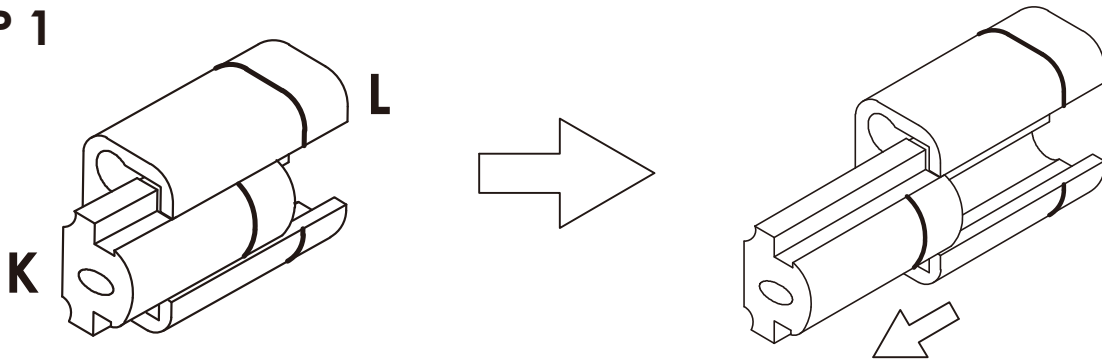
<b>25</b>  <div style="text-align: right; border: 1px solid black; padding: 2px;">2PCS</div>	<b>26</b>  <div style="text-align: right; border: 1px solid black; padding: 2px;">10PCS</div>	<b>27</b>  <div style="text-align: right; border: 1px solid black; padding: 2px;">12PCS</div>	<b>28</b>  <div style="text-align: right; border: 1px solid black; padding: 2px;">1PC</div>
<b>29</b>  <div style="text-align: right; border: 1px solid black; padding: 2px;">1PC</div>	<b>30</b>  <div style="text-align: right; border: 1px solid black; padding: 2px;">1PC</div>	<b>31</b>  <div style="text-align: right; border: 1px solid black; padding: 2px;">1PC</div>	

## Hardware List

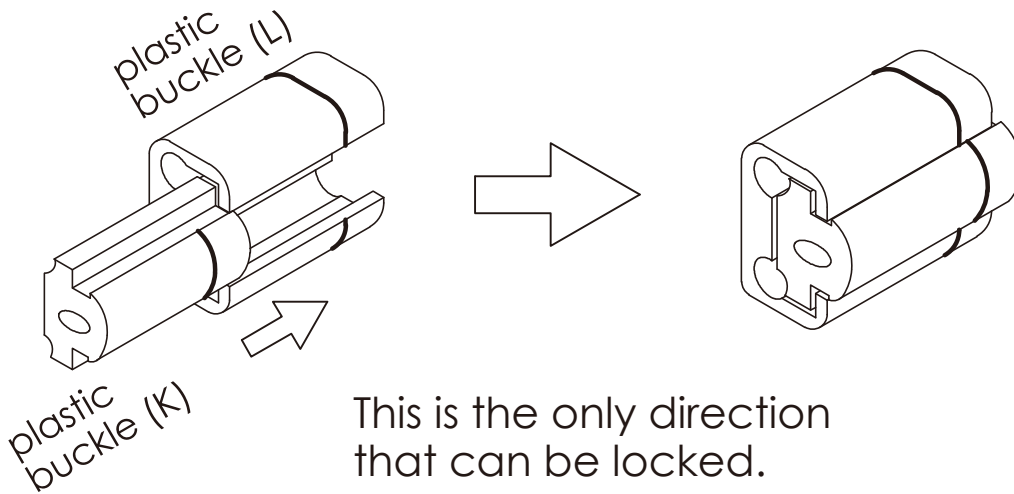
<b>A</b>  <div style="text-align: right; border: 1px solid black; padding: 2px;">5/16x19mm 2+1PCS</div>	<b>B</b>  <div style="text-align: right; border: 1px solid black; padding: 2px;">Ø6x30mm 8+1PCS</div>	<b>C</b>  <div style="text-align: right; border: 1px solid black; padding: 2px;">M5x35mm 28+2PCS</div>	<b>D</b>  <div style="text-align: right; border: 1px solid black; padding: 2px;">5/16x40mm 13+1PCS</div>
<b>E</b>  <div style="text-align: right; border: 1px solid black; padding: 2px;">5/16x55mm 6+1PCS</div>	<b>F</b>  <div style="text-align: right; border: 1px solid black; padding: 2px;">1/4x35mm 23+2PCS</div>	<b>G</b>  <div style="text-align: right; border: 1px solid black; padding: 2px;">1/4x13mm 34+2PCS</div>	<b>H</b>  <div style="text-align: right; border: 1px solid black; padding: 2px;">1/4x16mm 2+1PCS</div>
<b>I</b>  <div style="text-align: right; border: 1px solid black; padding: 2px;">1/4 2+1PCS</div>	<b>J</b>  <div style="text-align: right; border: 1px solid black; padding: 2px;">2+1PCS</div>	<b>K</b>  <div style="text-align: right; border: 1px solid black; padding: 2px;">4+1PCS</div>	<b>L</b>  <div style="text-align: right; border: 1px solid black; padding: 2px;">4+1PCS</div>
<b>M</b>  <div style="text-align: right; border: 1px solid black; padding: 2px;">M4x100mm 1PC</div>	<b>N</b>  <div style="text-align: right; border: 1px solid black; padding: 2px;">M3 1PC</div>	<b>O</b>  <div style="text-align: right; border: 1px solid black; padding: 2px;">M3x12mm 2+1PCS</div>	

## Assembly Instruction of (Drawer)

### STEP 1

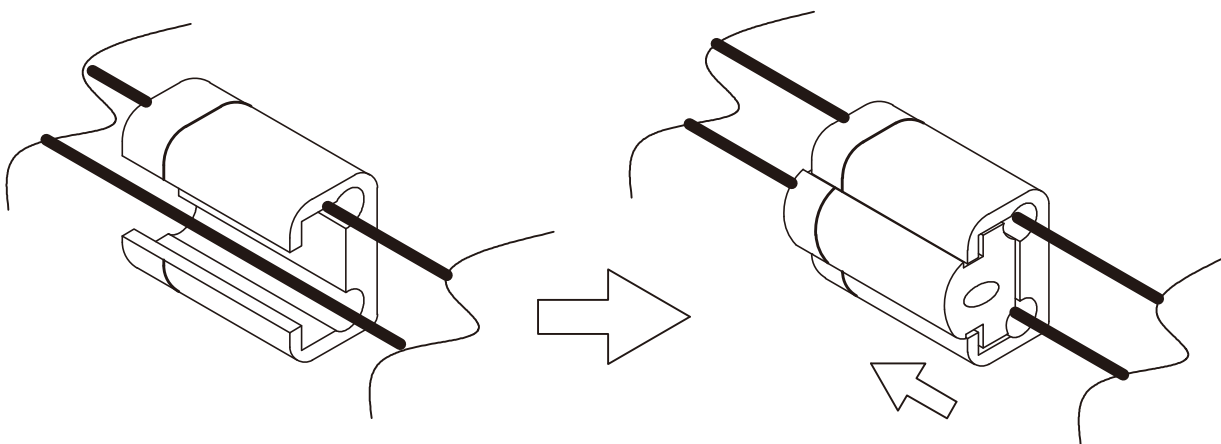


You can pull the buckle out by following the direction indicated by the arrow



This is the only direction that can be locked.

### STEP 2

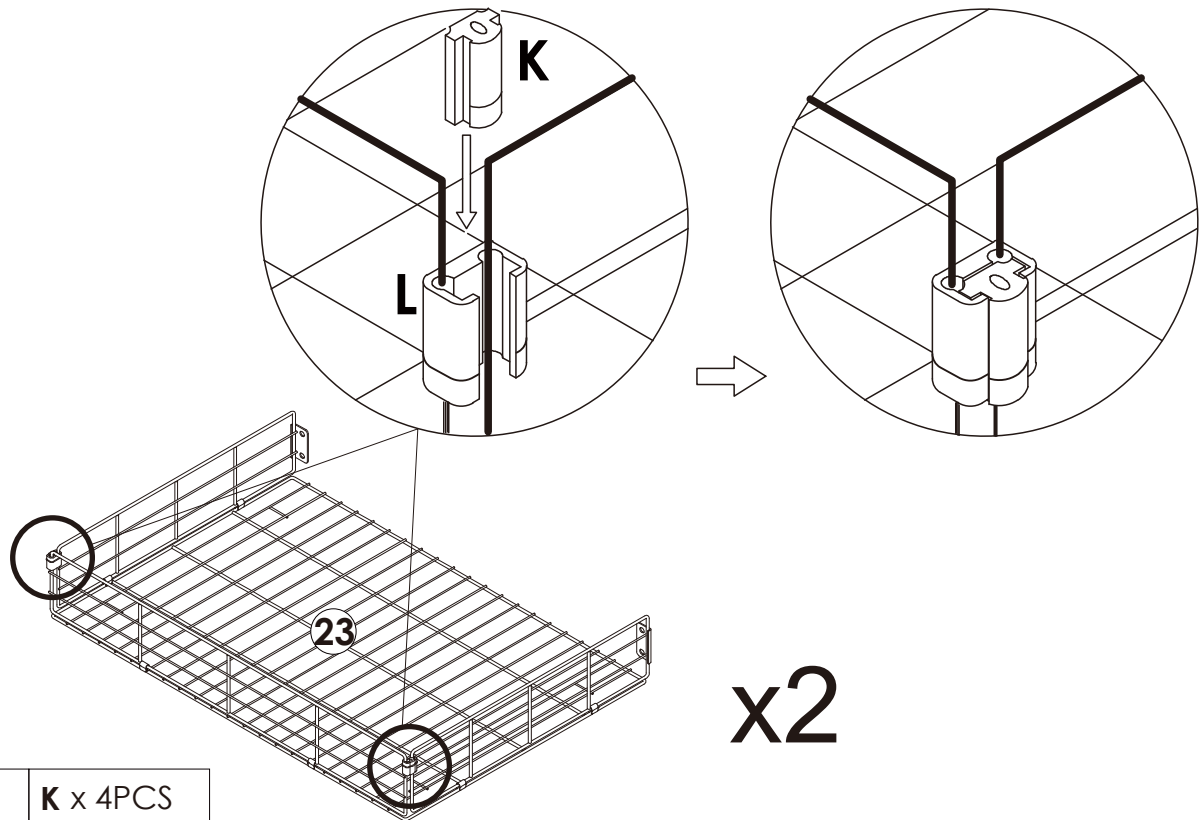


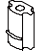

Place the round iron tubes as shown for better assembly of the drawers.

## Assembly Instruction of (Drawer)

### STEP 3

Assemble the plastic buckle as shown in the figure.

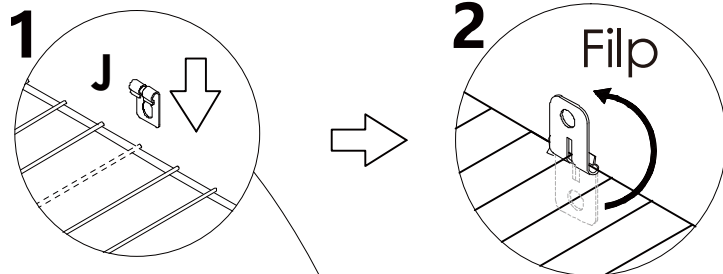


	K x 4PCS
	L x 4PCS

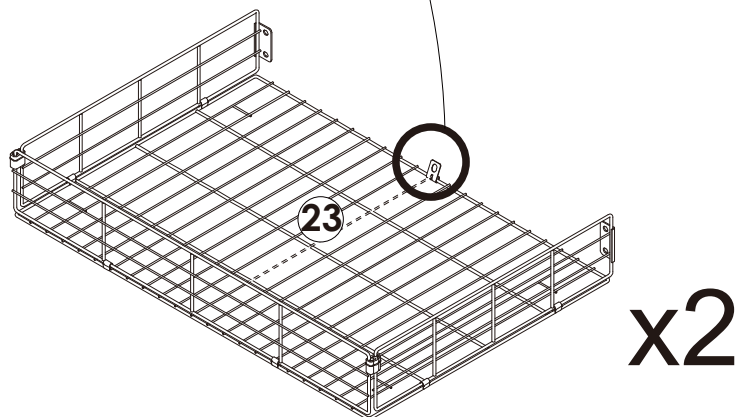
### STEP 4

#### Assemble drawer hook

1: As shown in the picture, please clip the #J in the middle of the iron mesh drawer. This needs to connect the riddle hole of #22 (drawer front panel) in the following steps.



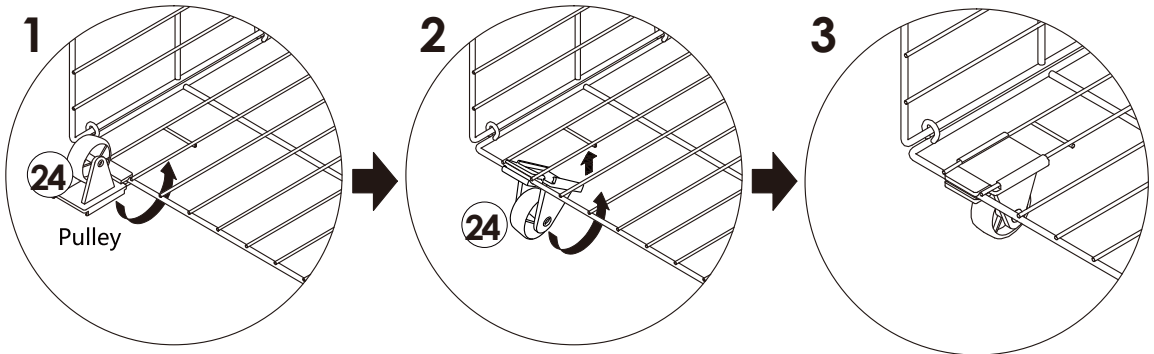
2: Flip it and turn it over.



	J x 2PCS
---	----------

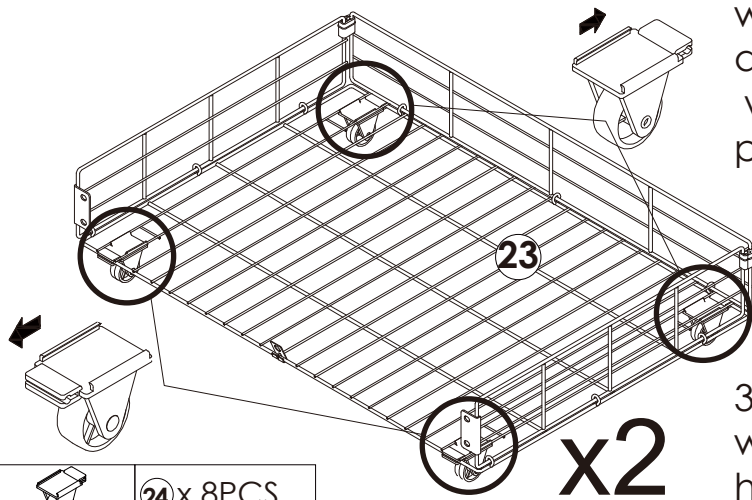
## Assembly Instruction of (Drawer)

### STEP 5



1. Please Clip the wheels on the big iron wire first, As shown in the figure.

2. Please turn the wheel over, keep the plastic plate of the wheel between the two wires, and then press hard so that the wires are stuck into the plastic plate. This requires some strength.



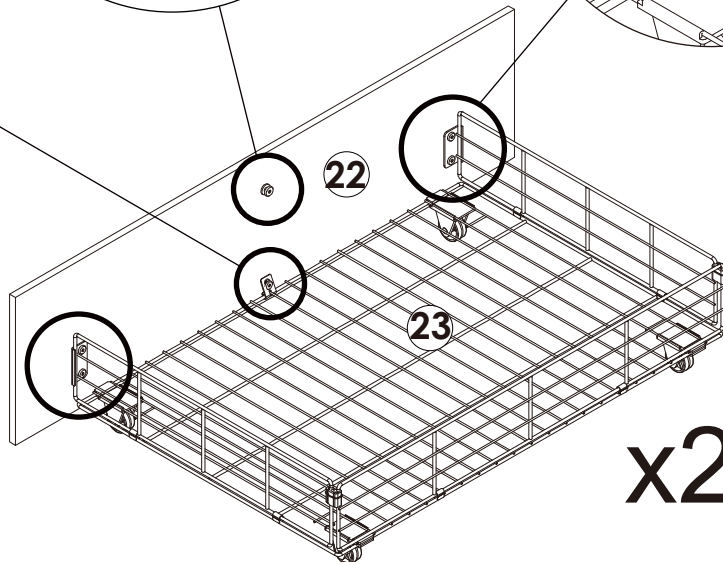
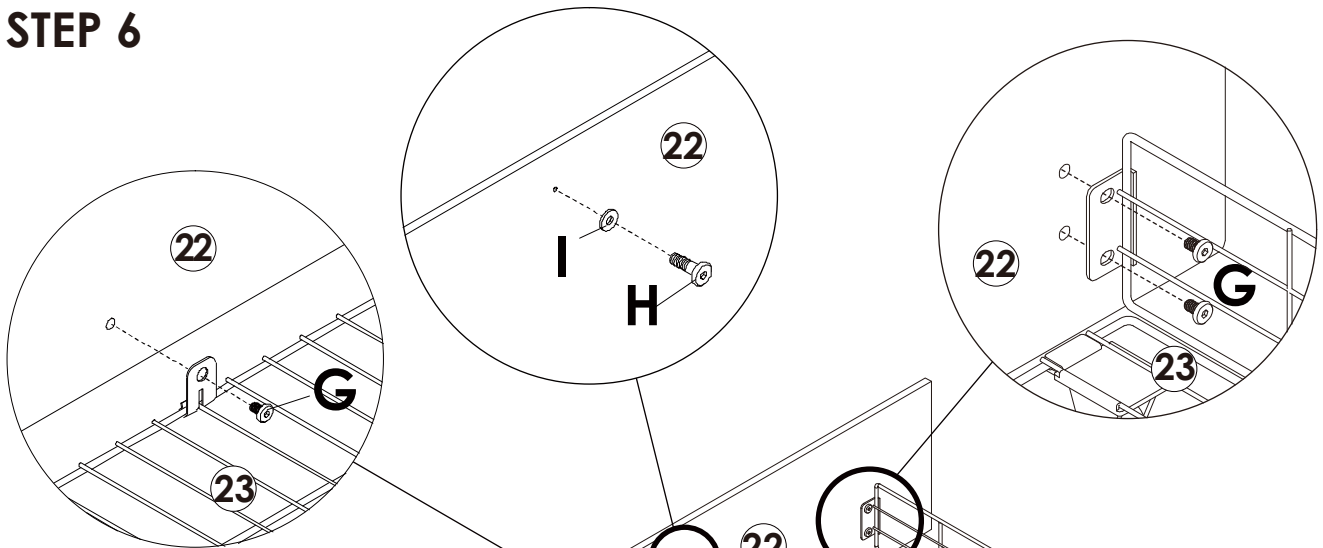
3. Place the drawer in the right way as picture shows, it would help you assemble drawer easily.



**24** x 8PCS

**x2**

### STEP 6

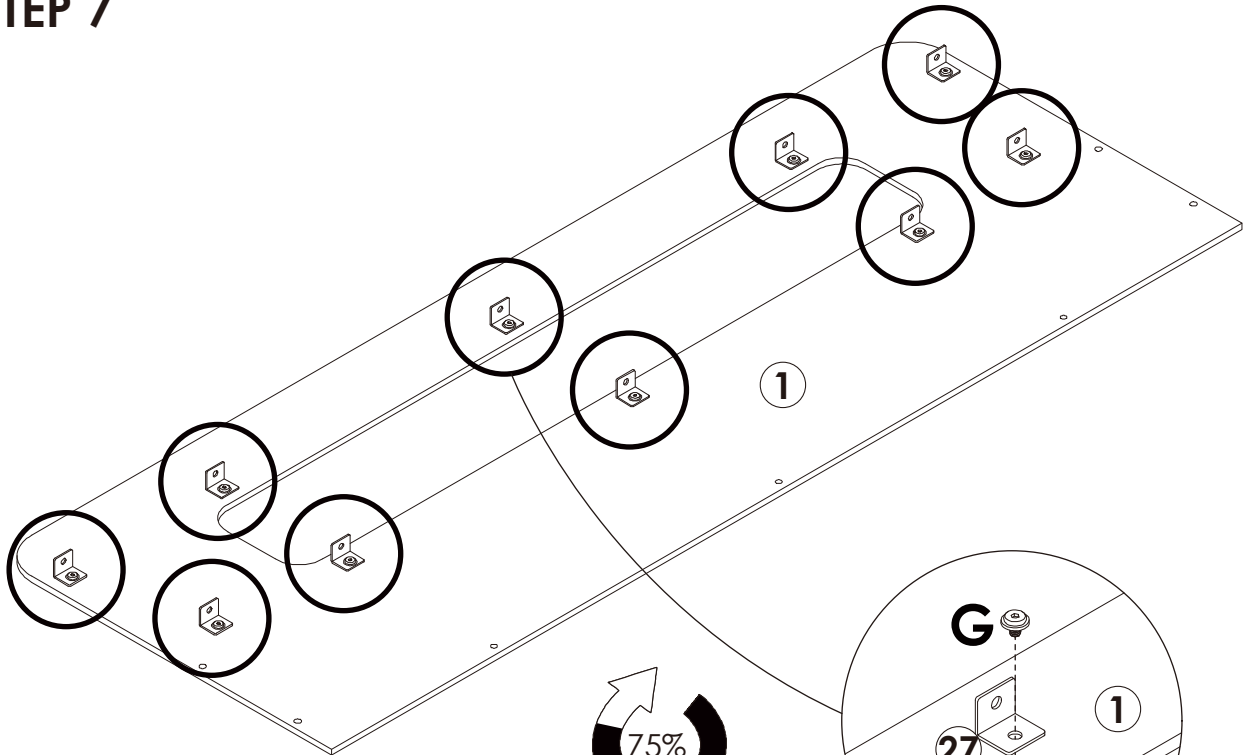


**x2**




	<b>G</b> x 10PCS
	<b>H</b> x 2PCS
	<b>I</b> x 2PCS
	<b>M</b> x 1PC

# Assembly Instruction of (Bed)

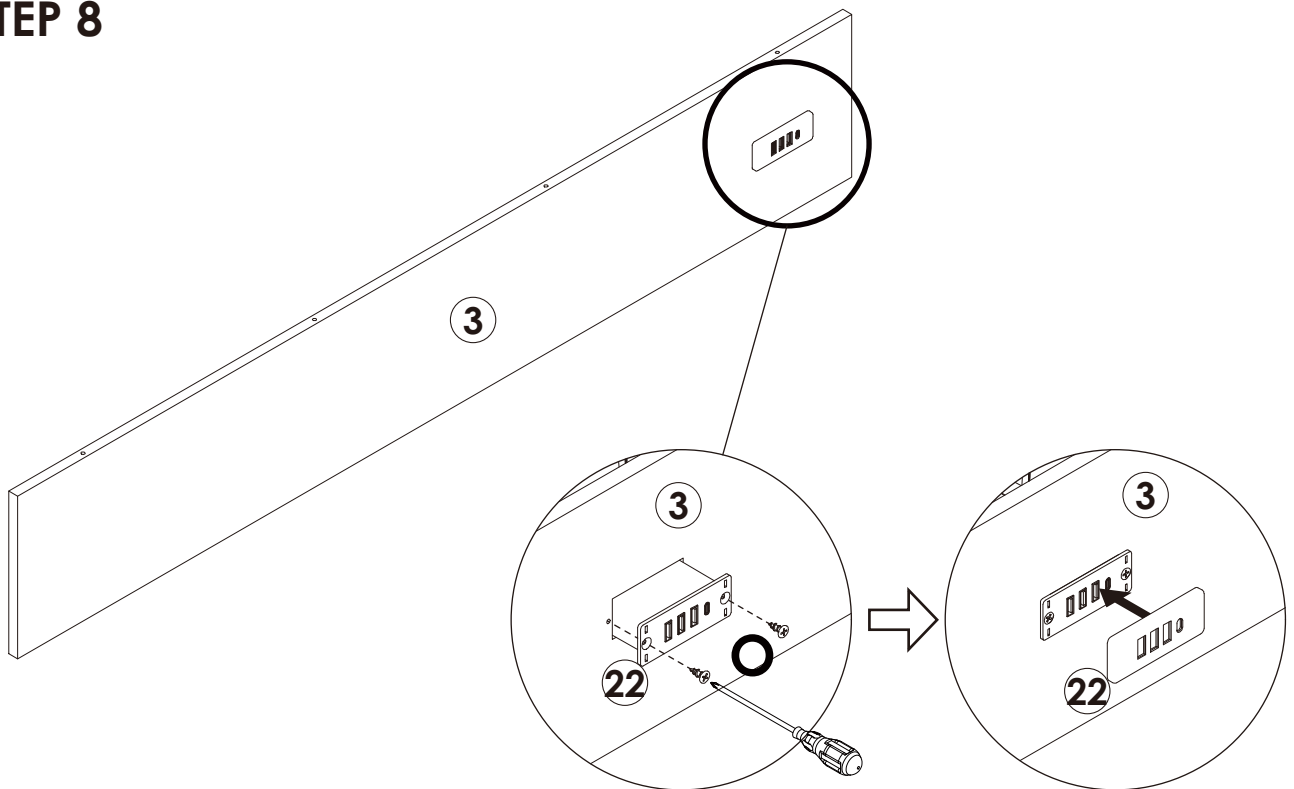
## STEP 7



75%  
please do not  
tighten them  
too much

	<b>27</b> x 10PCS
	<b>G</b> x 10PCS
	<b>M</b> x 1PC

## STEP 8



Phillips screwdriver  
Not provided.

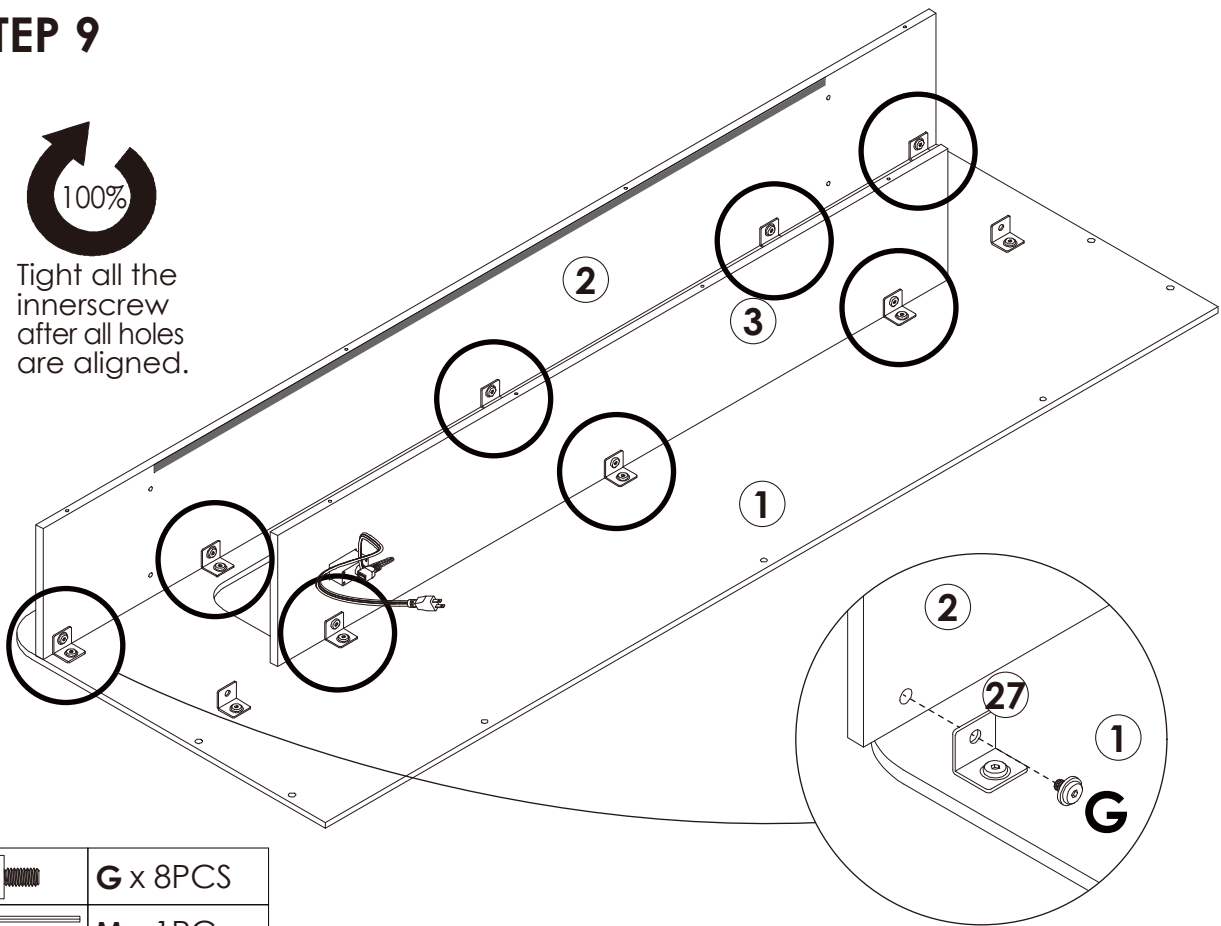
	<b>22</b> x 2PCS
---	------------------



# Assembly Instruction of (Bed)

## STEP 9

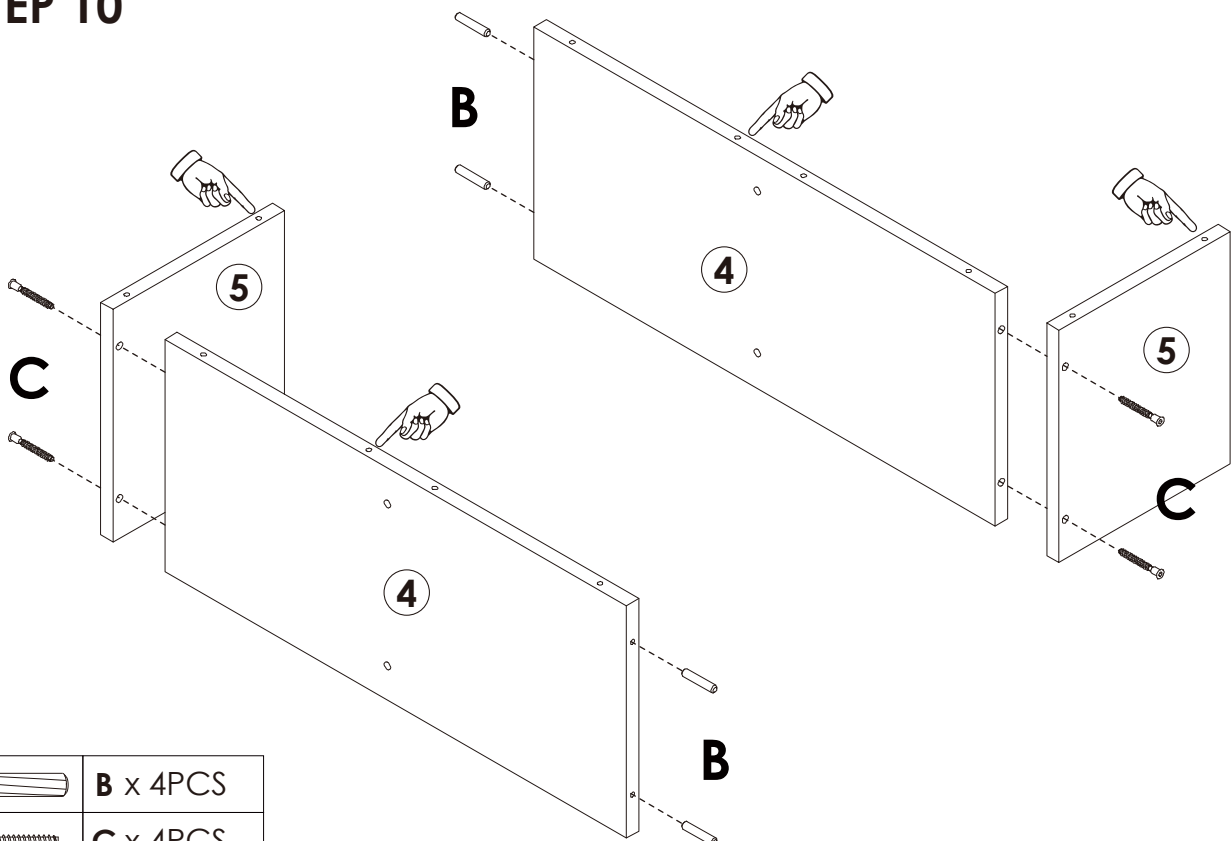





Tight all the innerscrew after all holes are aligned.



	<b>G</b> x 8PCS
	<b>M</b> x 1PC

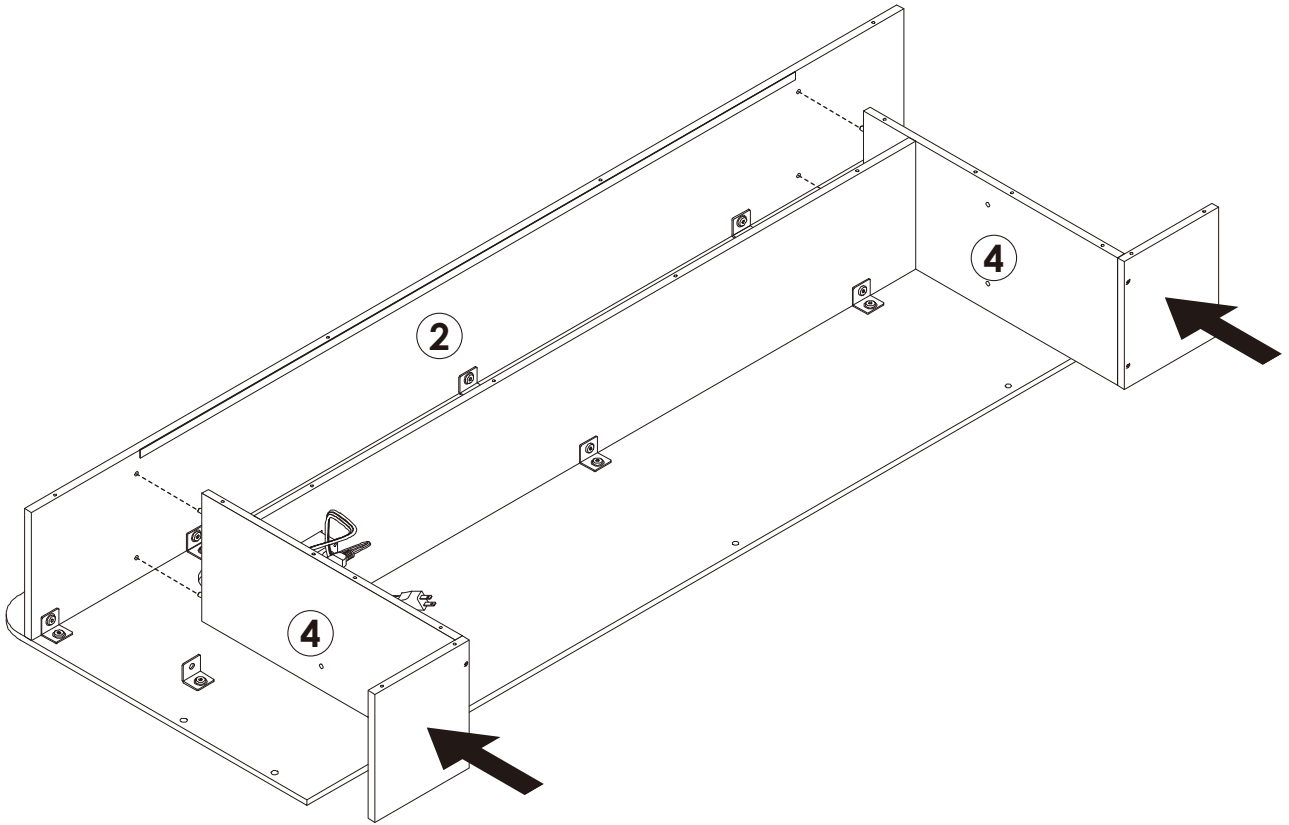
## STEP 10



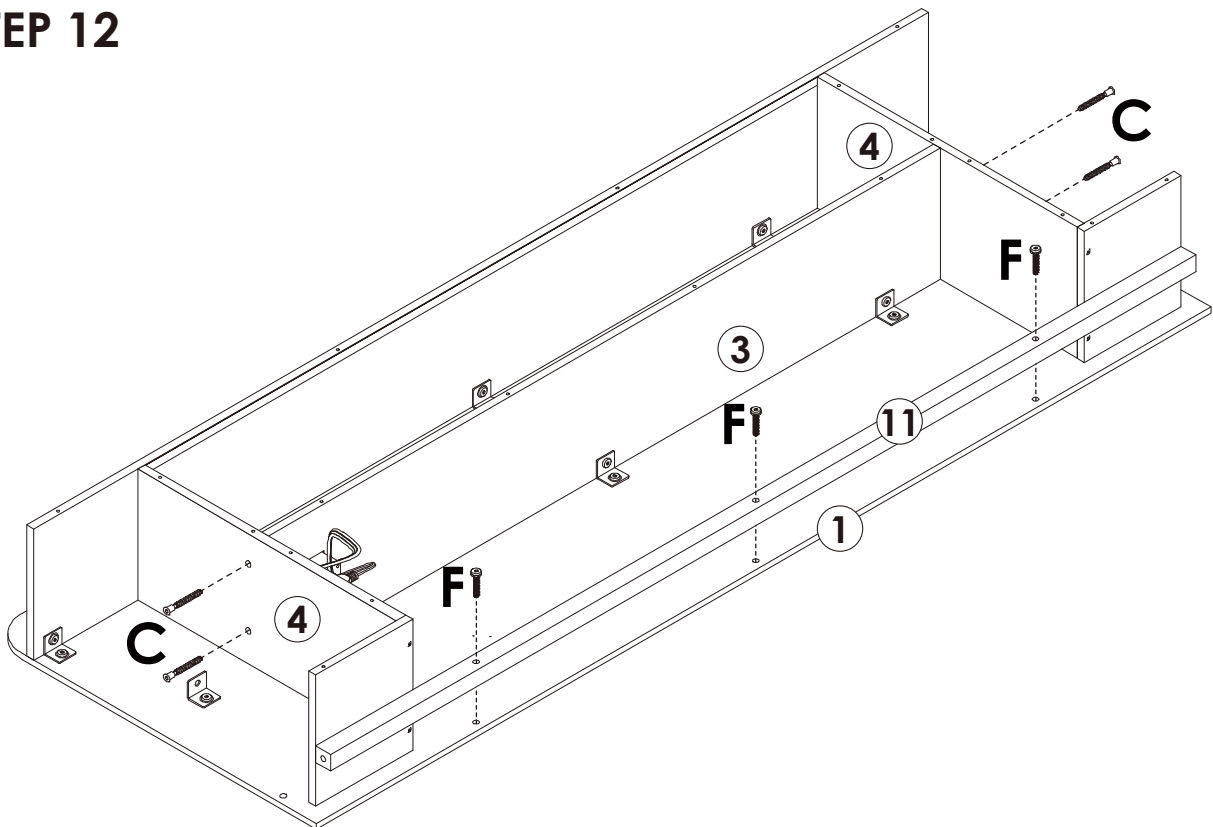
	<b>B</b> x 4PCS
	<b>C</b> x 4PCS
	<b>N</b> x 1PC





# Assembly Instruction of (Bed)

## STEP 11



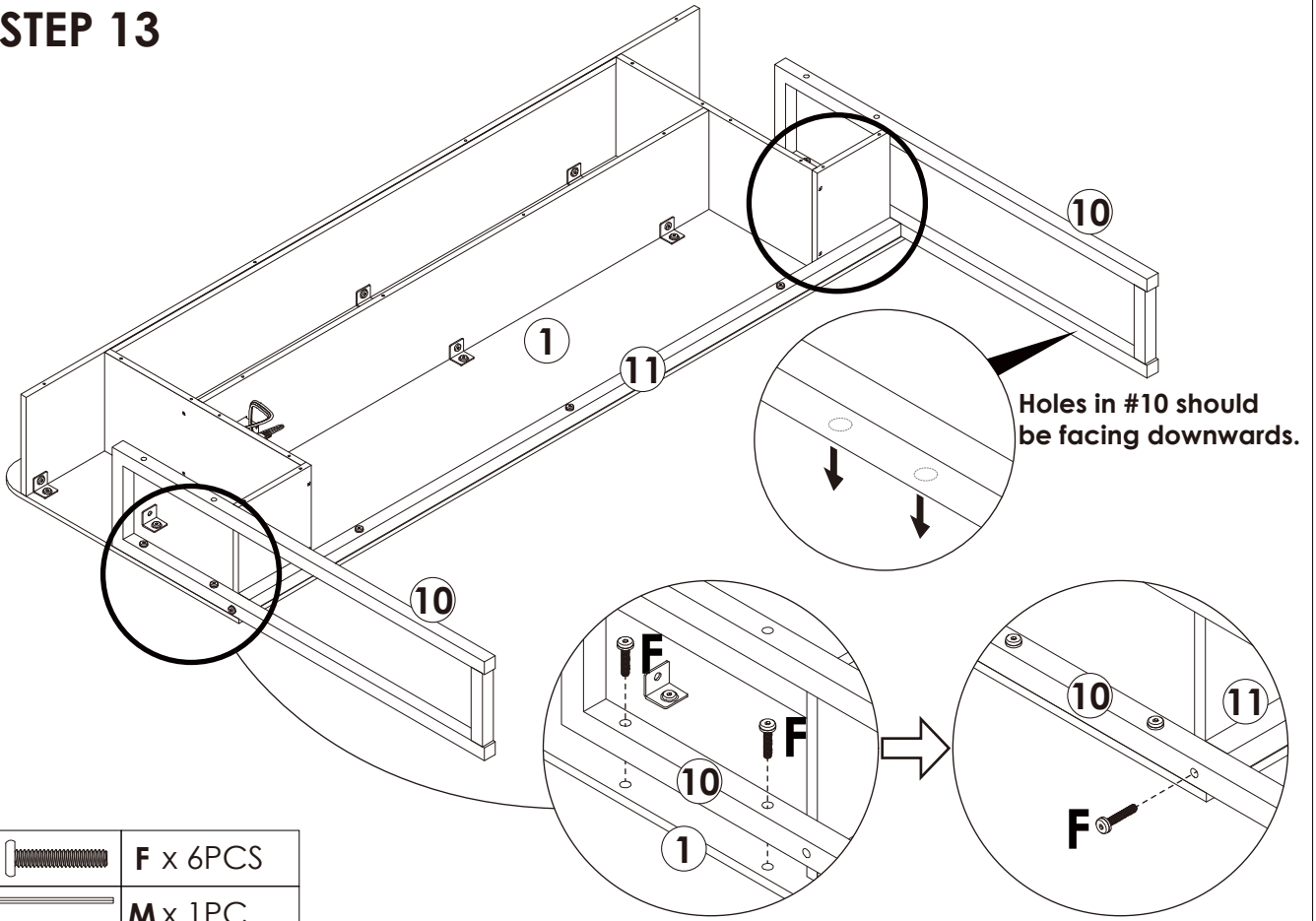
## STEP 12





	<b>F x 3PCS</b>		<b>C x 4PCS</b>
	<b>M x 1PC</b>		<b>N x 1PC</b>

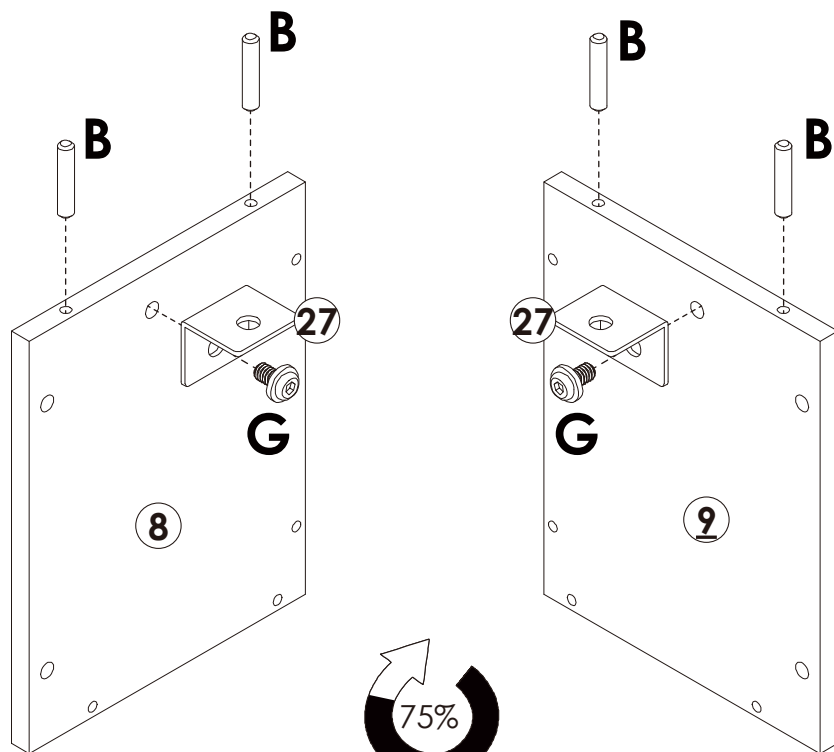
# Assembly Instruction of (Bed)





## STEP 13



	<b>F</b> x 6PCS
	<b>M</b> x 1PC

## STEP 14

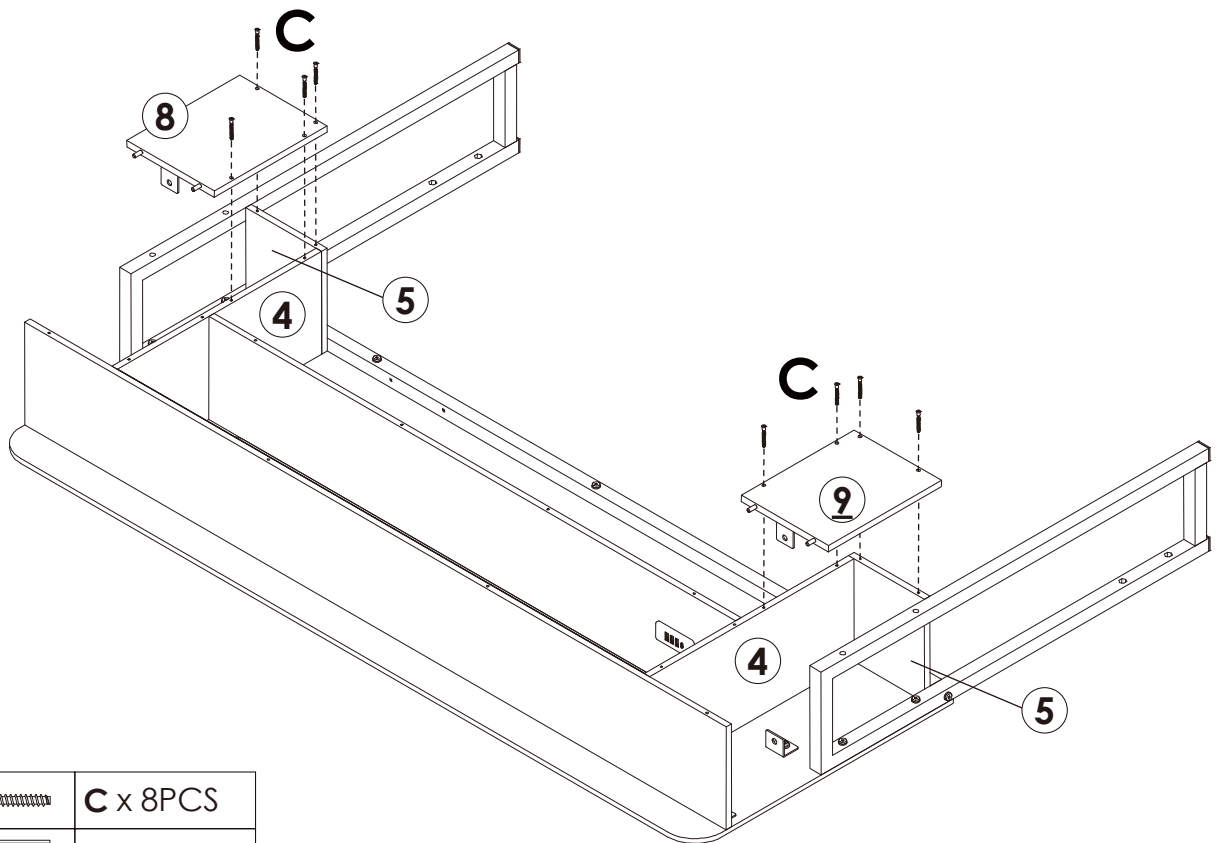




	<b>B</b> x 4PCS
	<b>27</b> x 2PCS
	<b>G</b> x 2PCS
	<b>M</b> x 1PC

75%  
please do not  
tighten them  
too much

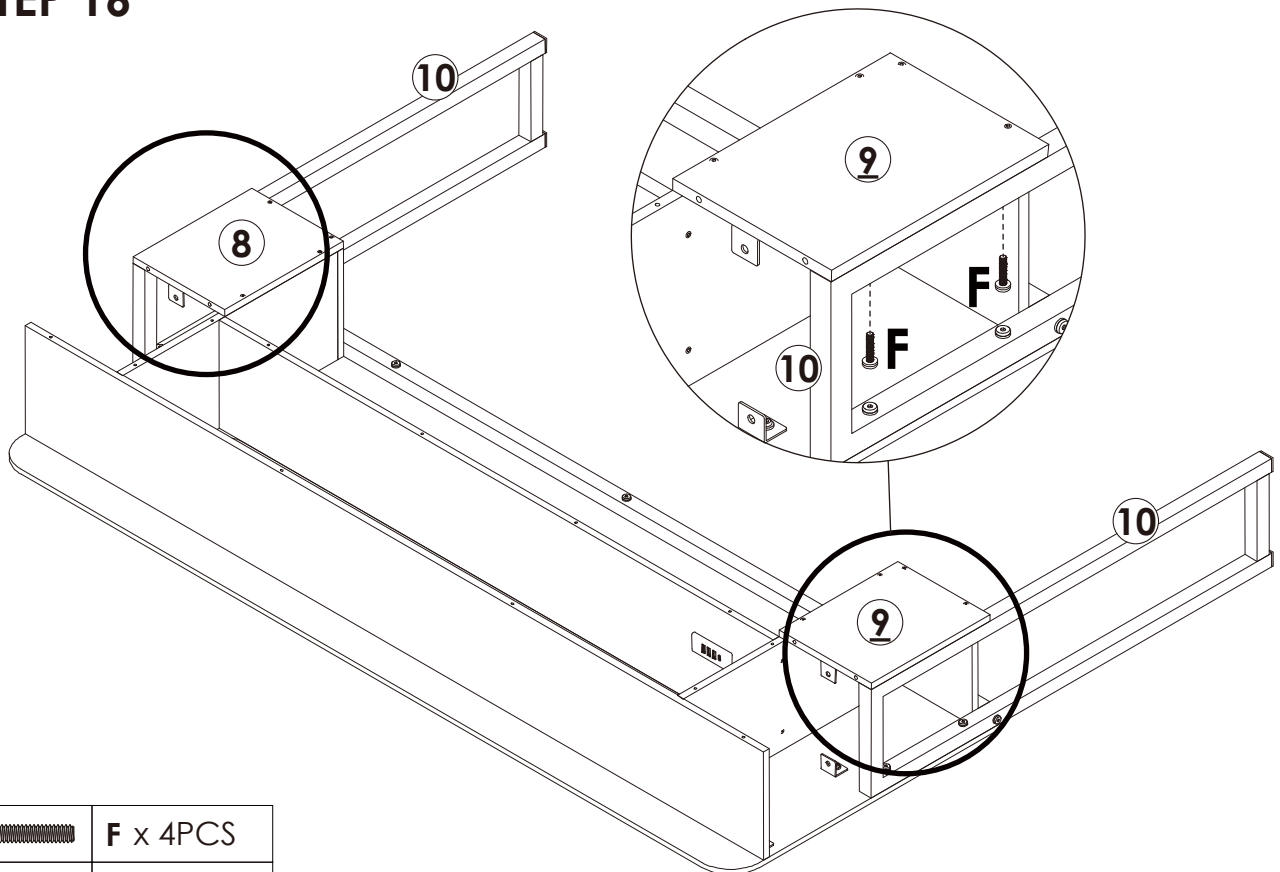
# Assembly Instruction of (Bed)


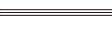
## STEP 15



	C x 8PCS
	N x 1PC

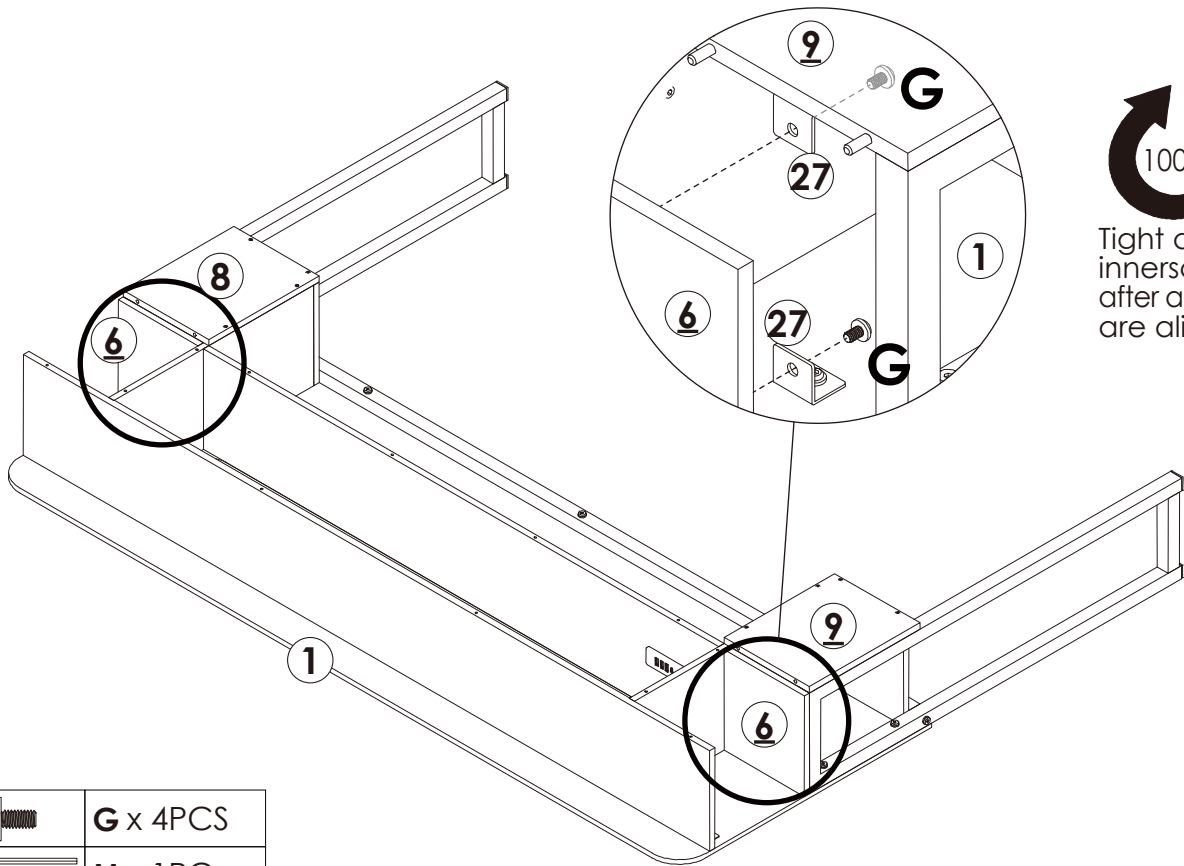
## STEP 16





	F x 4PCS
	M x 1PC

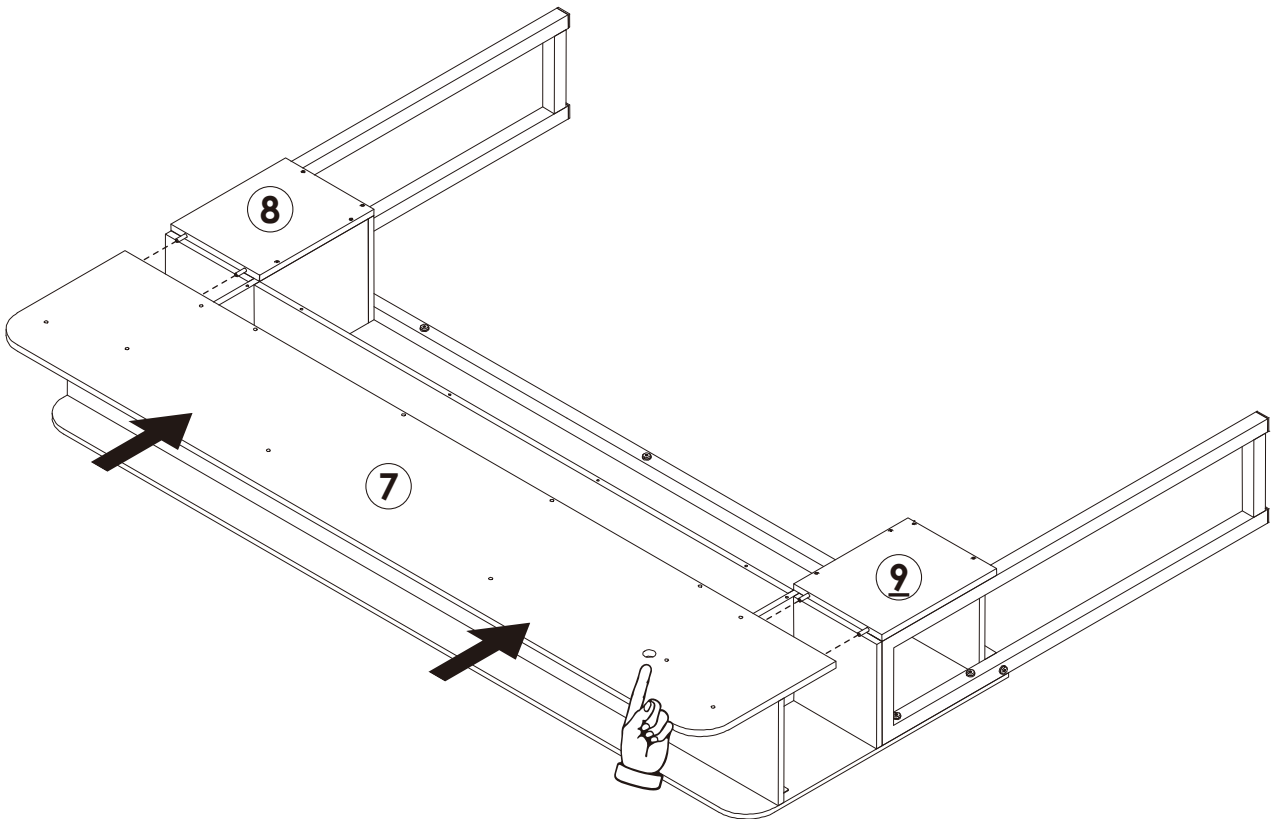
# Assembly Instruction of (Bed)

## STEP 17



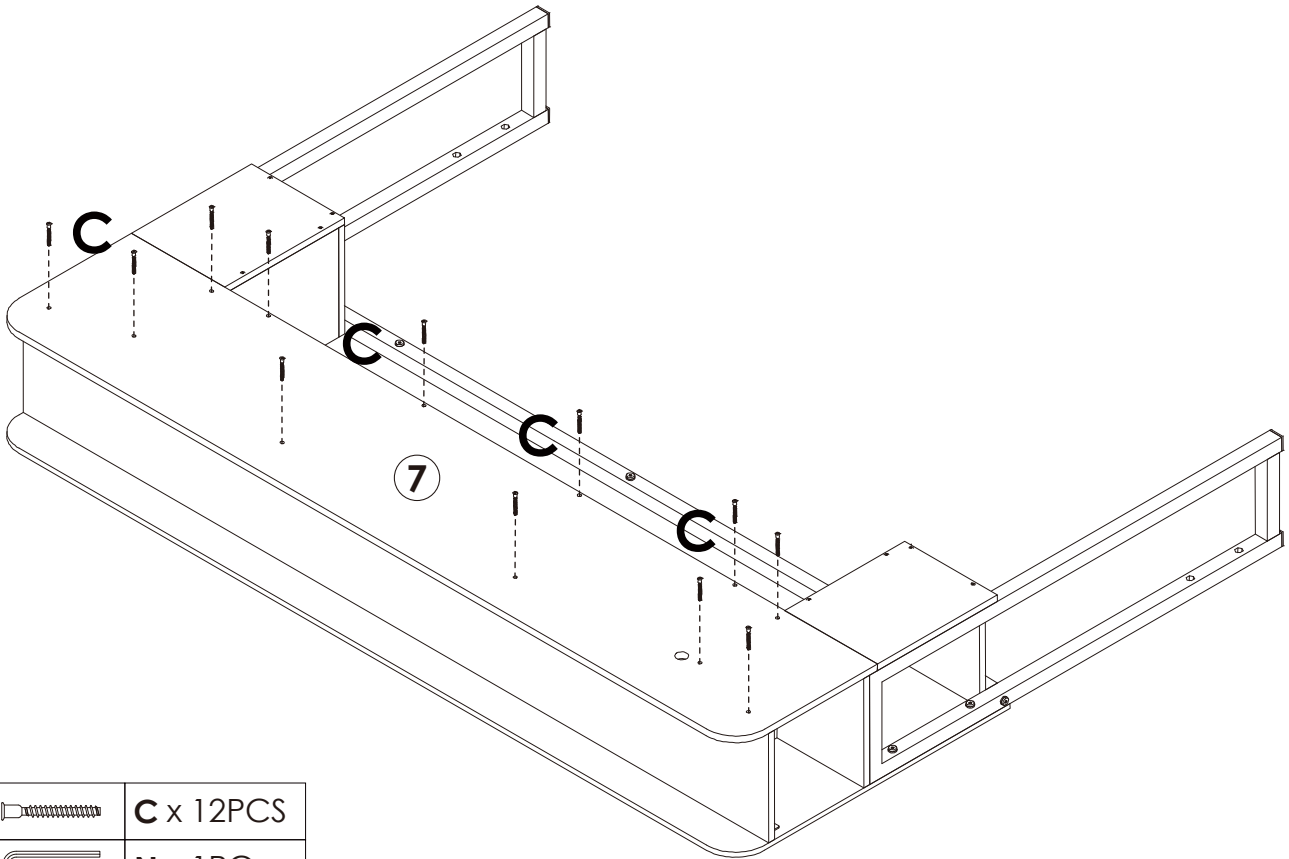
	G x 4PCS
	M x 1PC



## STEP 18



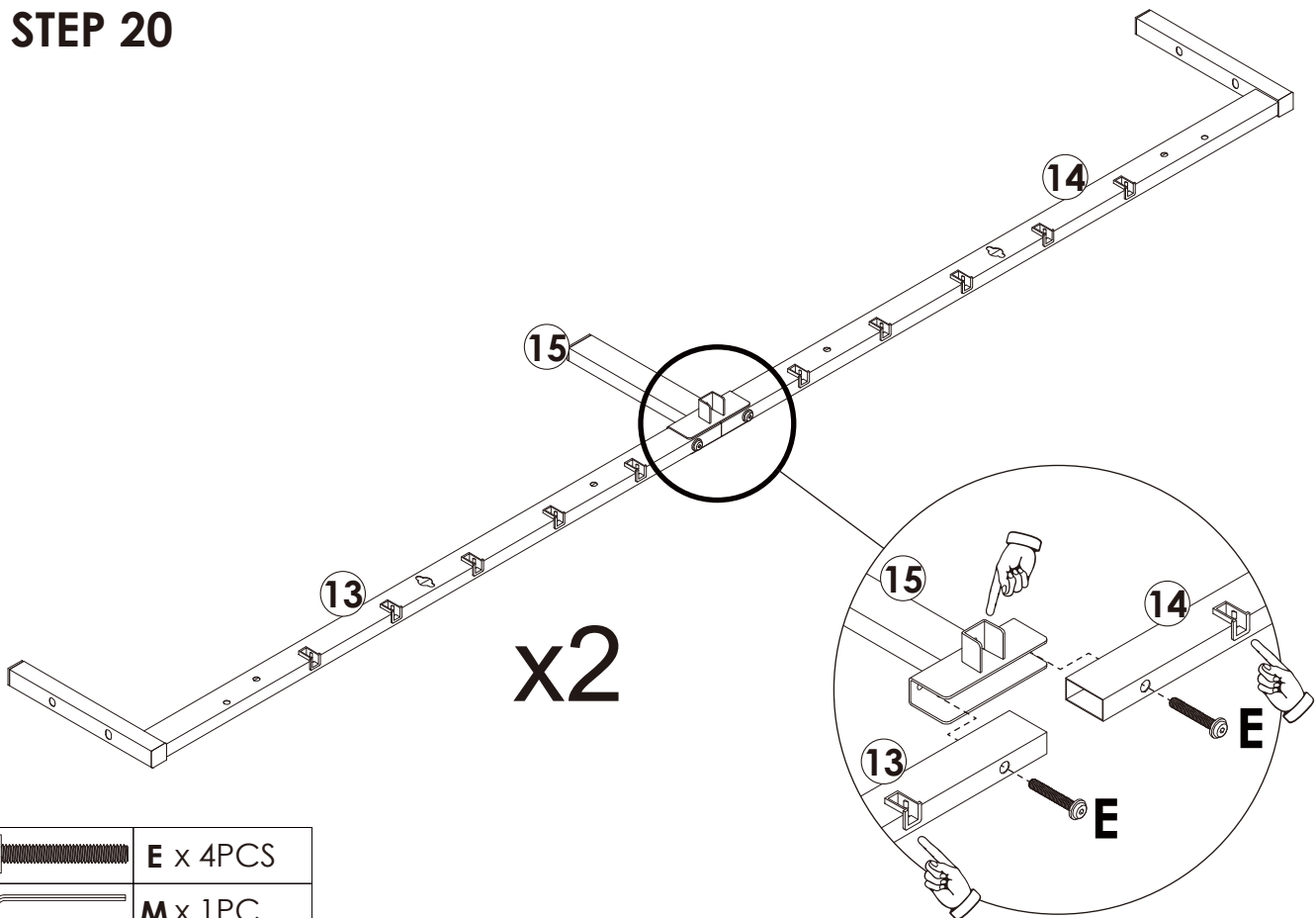
# Assembly Instruction of (Bed)


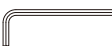
## STEP 19



	<b>C x 12PCS</b>
	<b>N x 1PC</b>

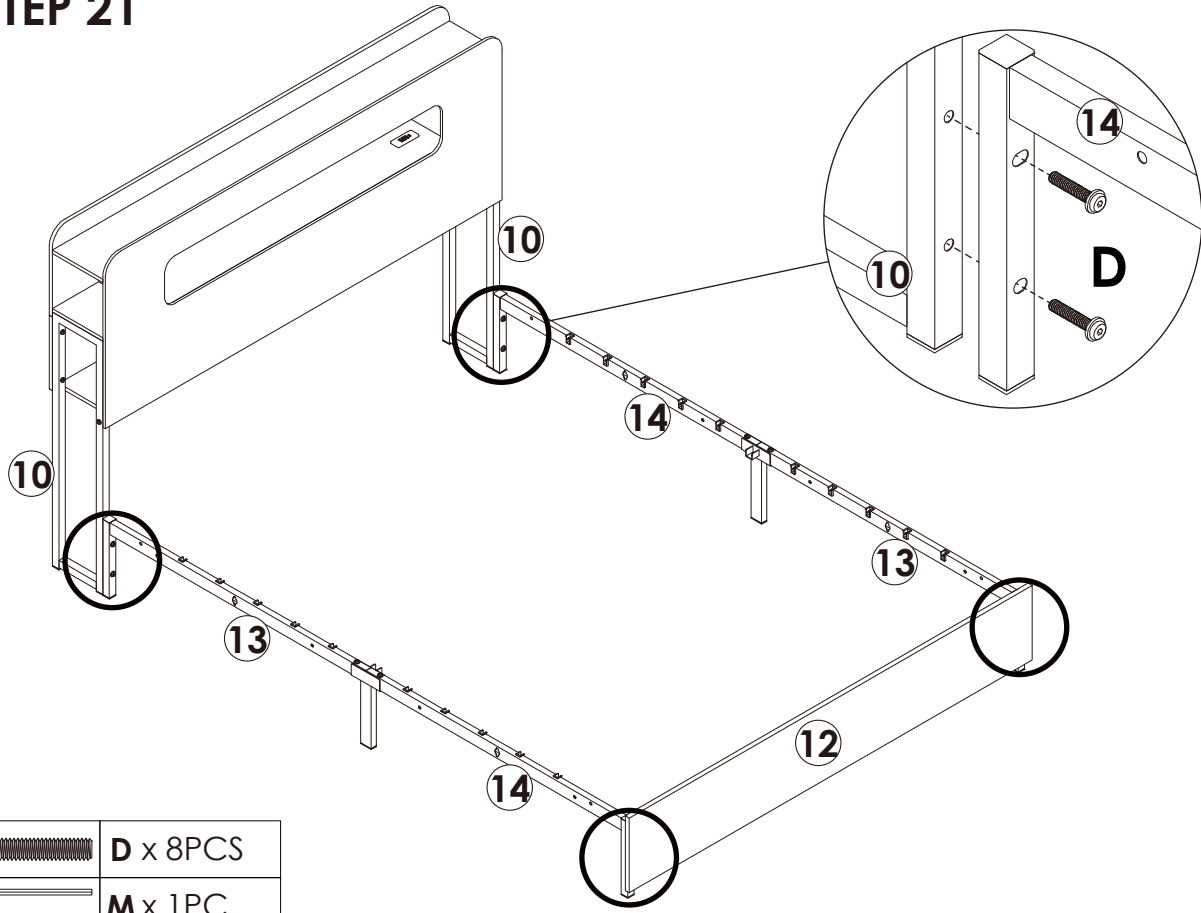
## STEP 20





	<b>E x 4PCS</b>
	<b>M x 1PC</b>

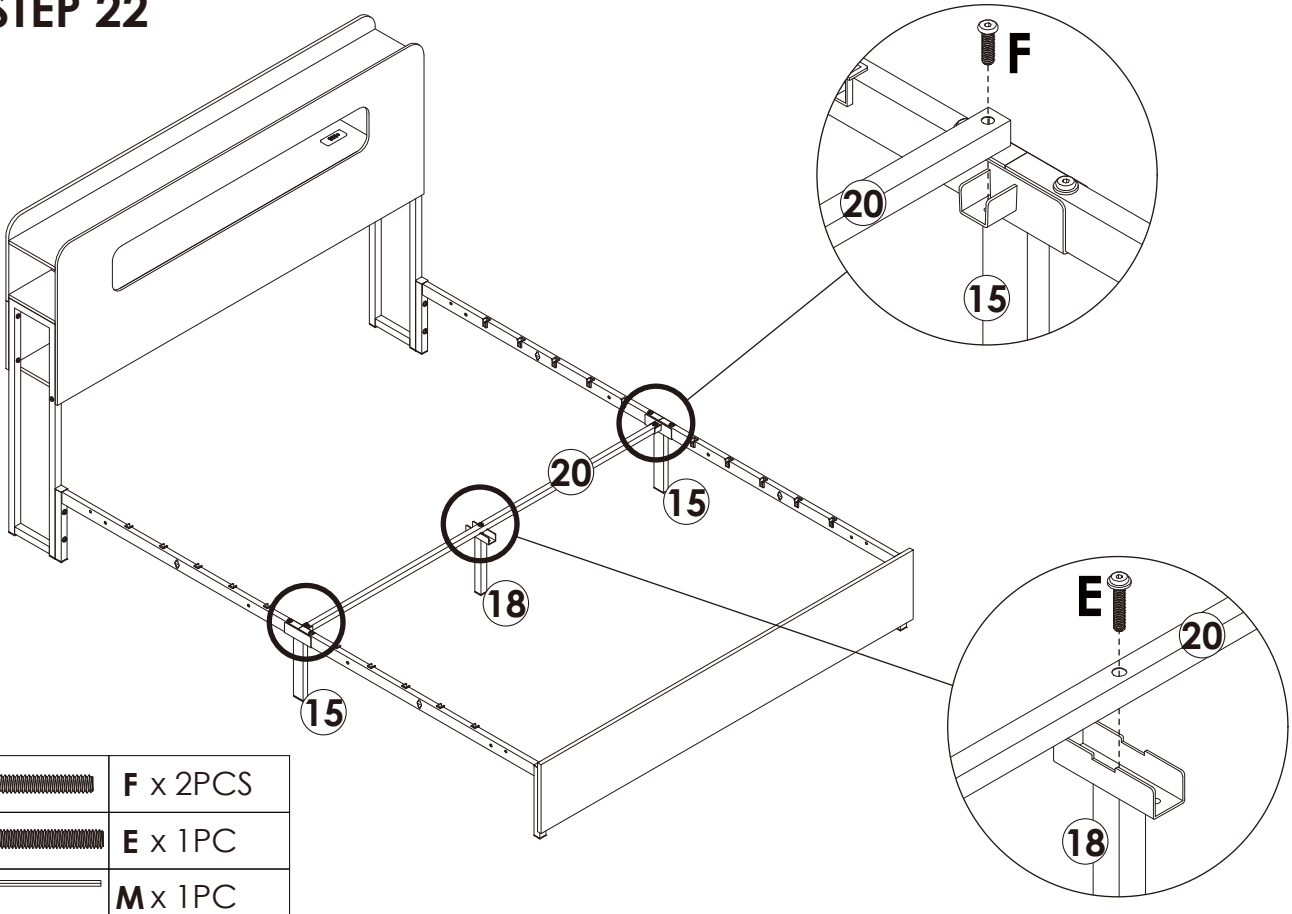
# Assembly Instruction of (Bed)




## STEP 21



	<b>D</b> x 8PCS
	<b>M</b> x 1PC

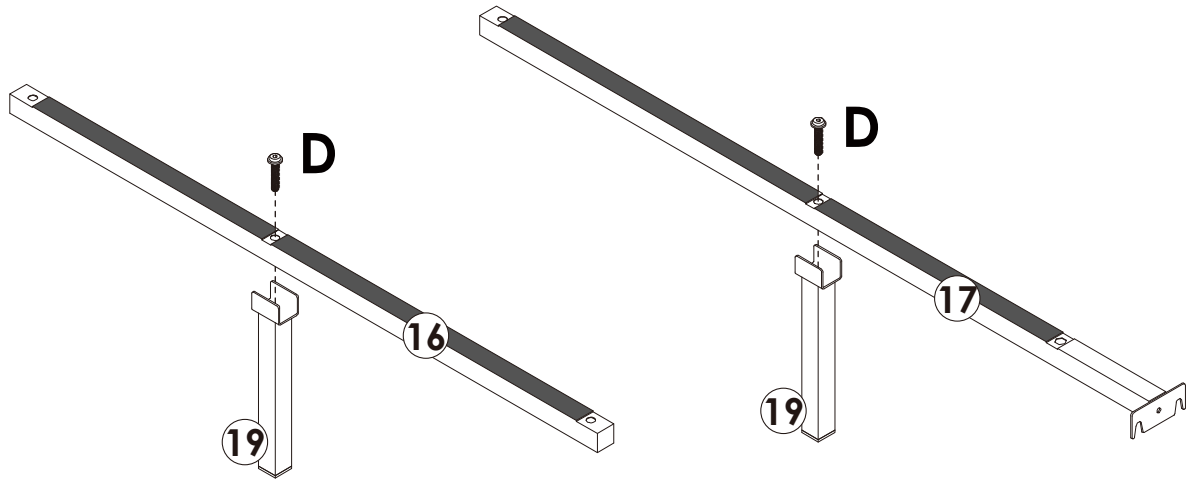
## STEP 22





	<b>F</b> x 2PCS
	<b>E</b> x 1PC
	<b>M</b> x 1PC

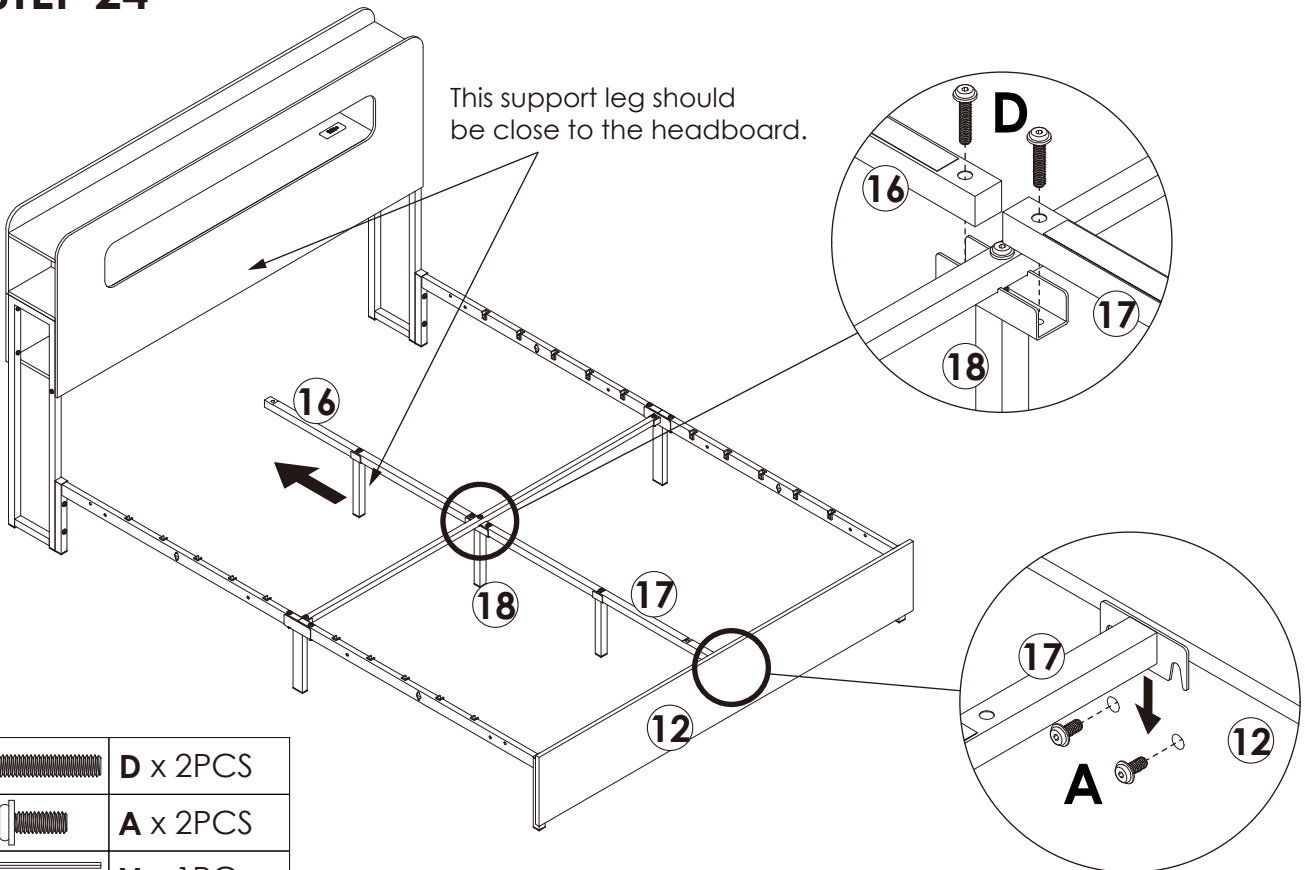
# Assembly Instruction of (Bed)

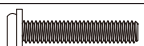
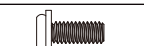

## STEP 23



	<b>D</b> x 2PCS
	<b>M</b> x 1PC

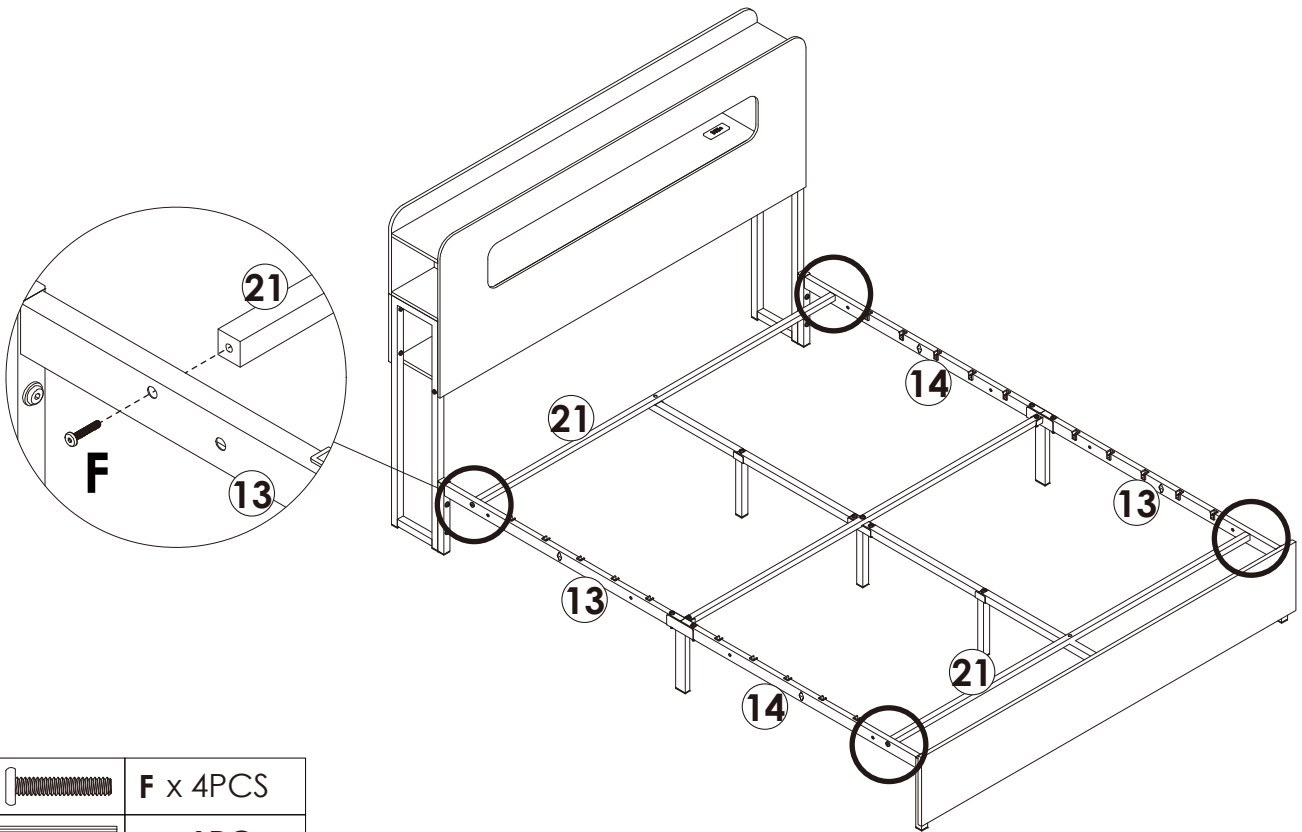
## STEP 24





	<b>D</b> x 2PCS
	<b>A</b> x 2PCS
	<b>M</b> x 1PC

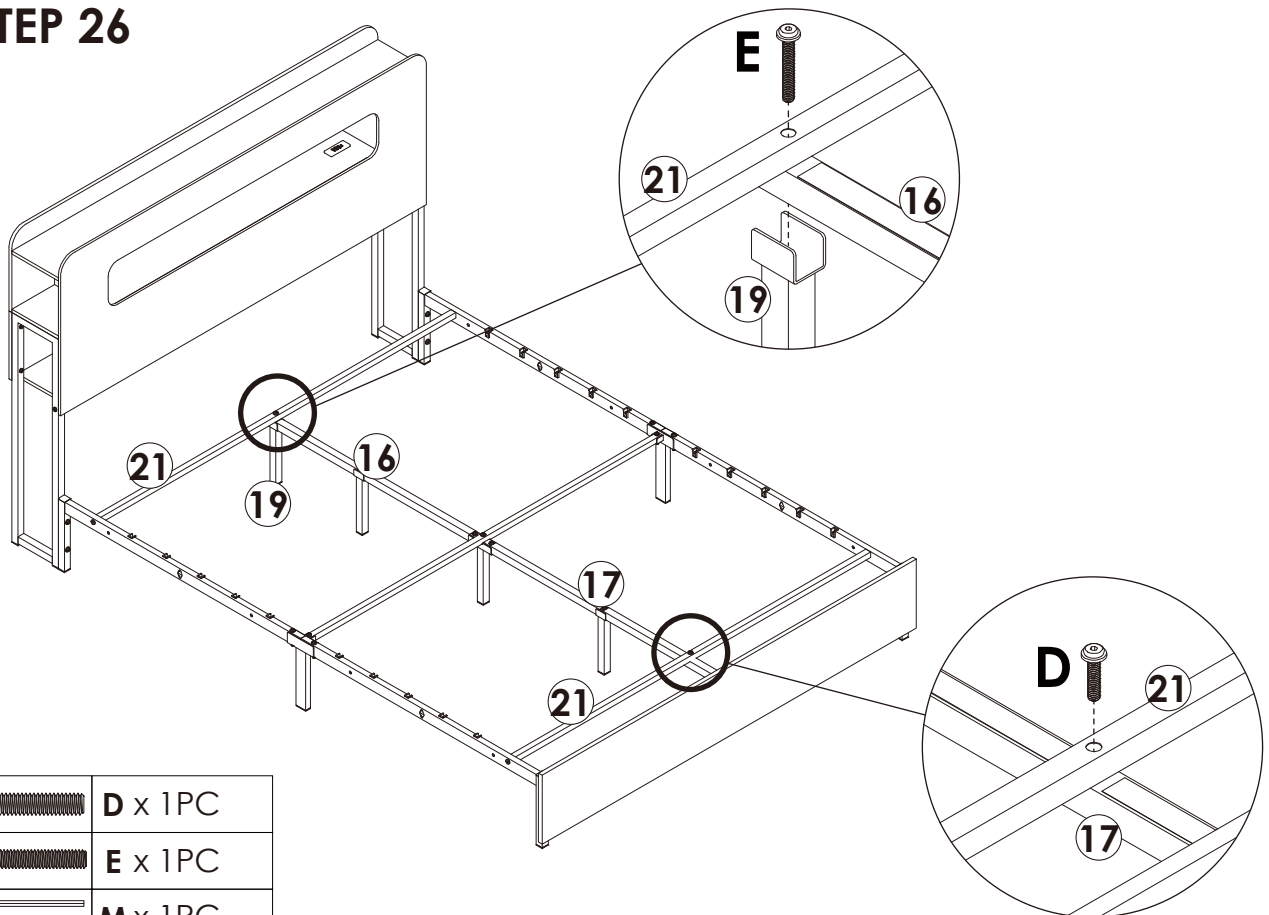
# Assembly Instruction of (Bed)




## STEP 25



	F x 4PCS
	M x 1PC

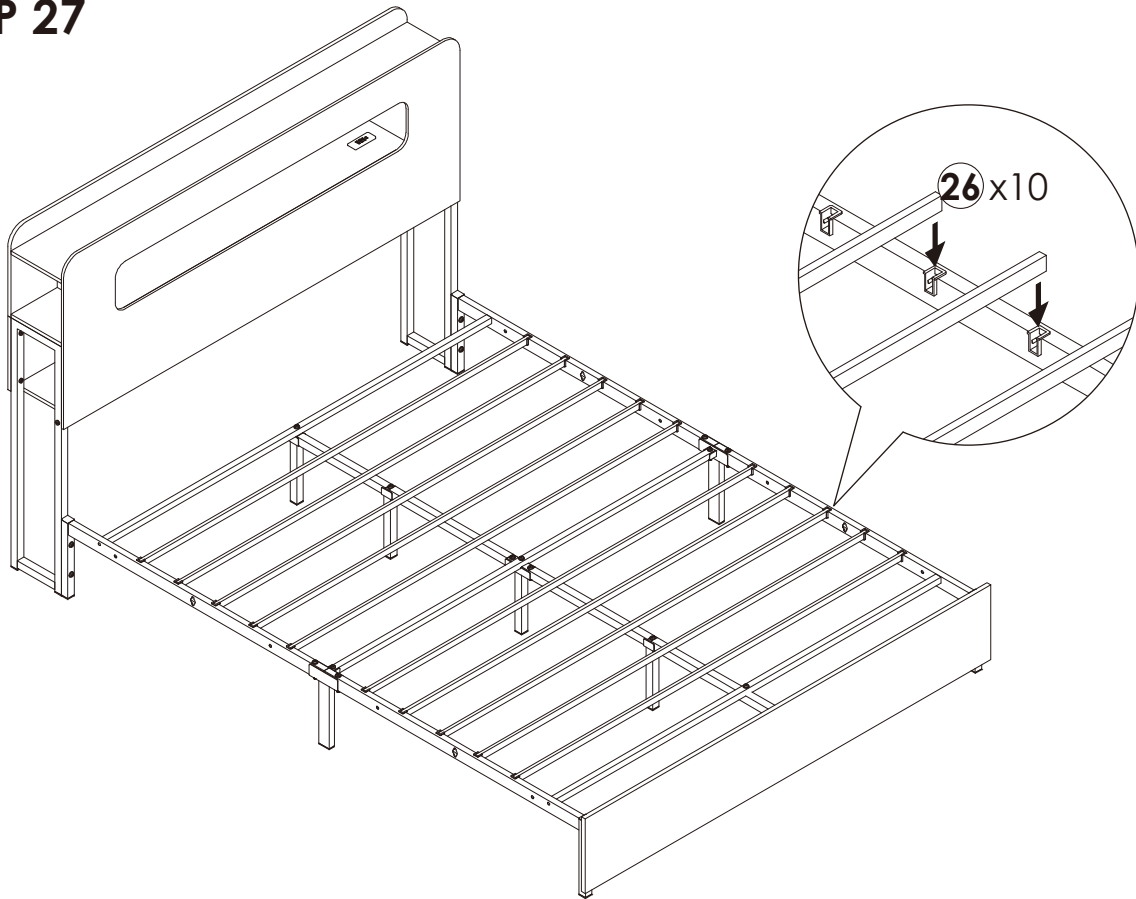
## STEP 26



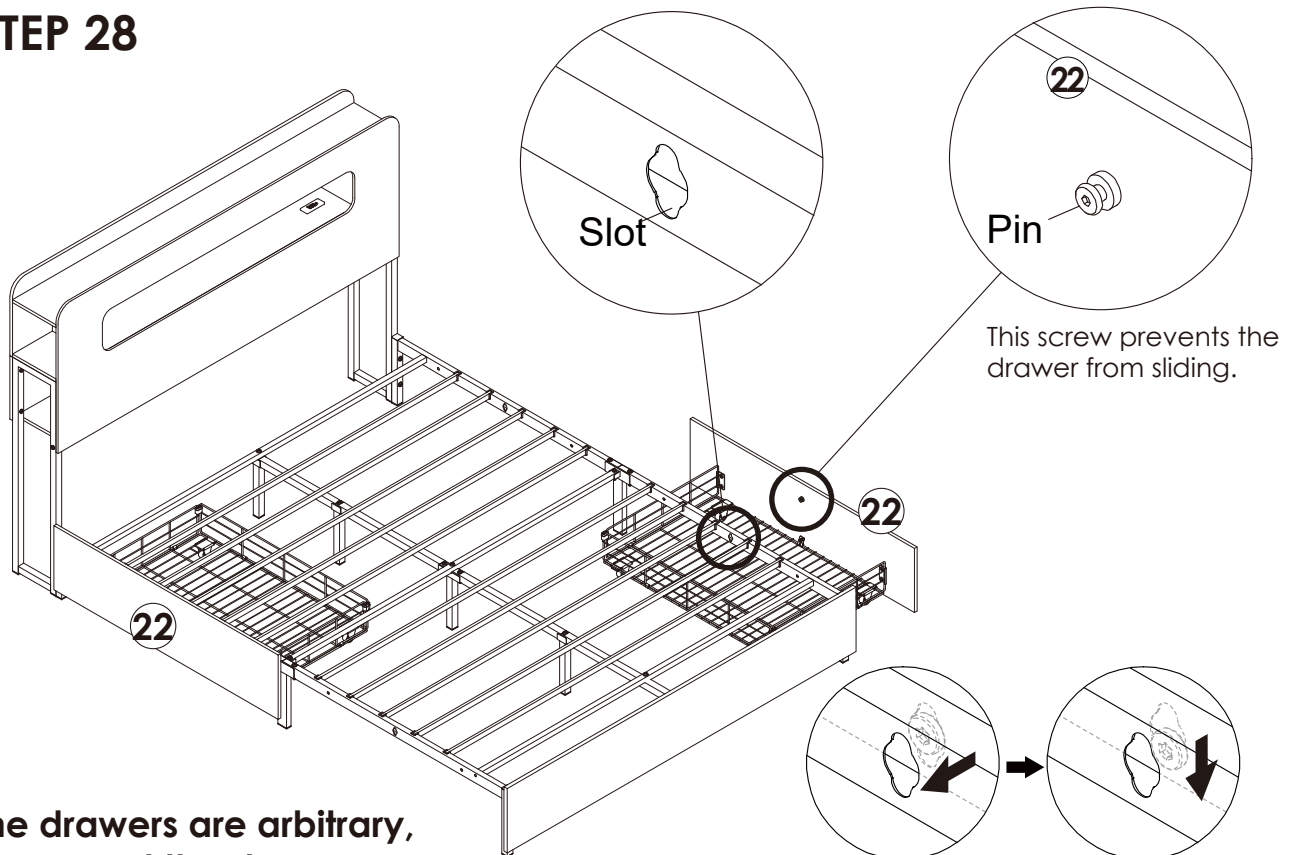
	D x 1PC
	E x 1PC
	M x 1PC

## Assembly Instruction of (Bed)

### STEP 27



### STEP 28

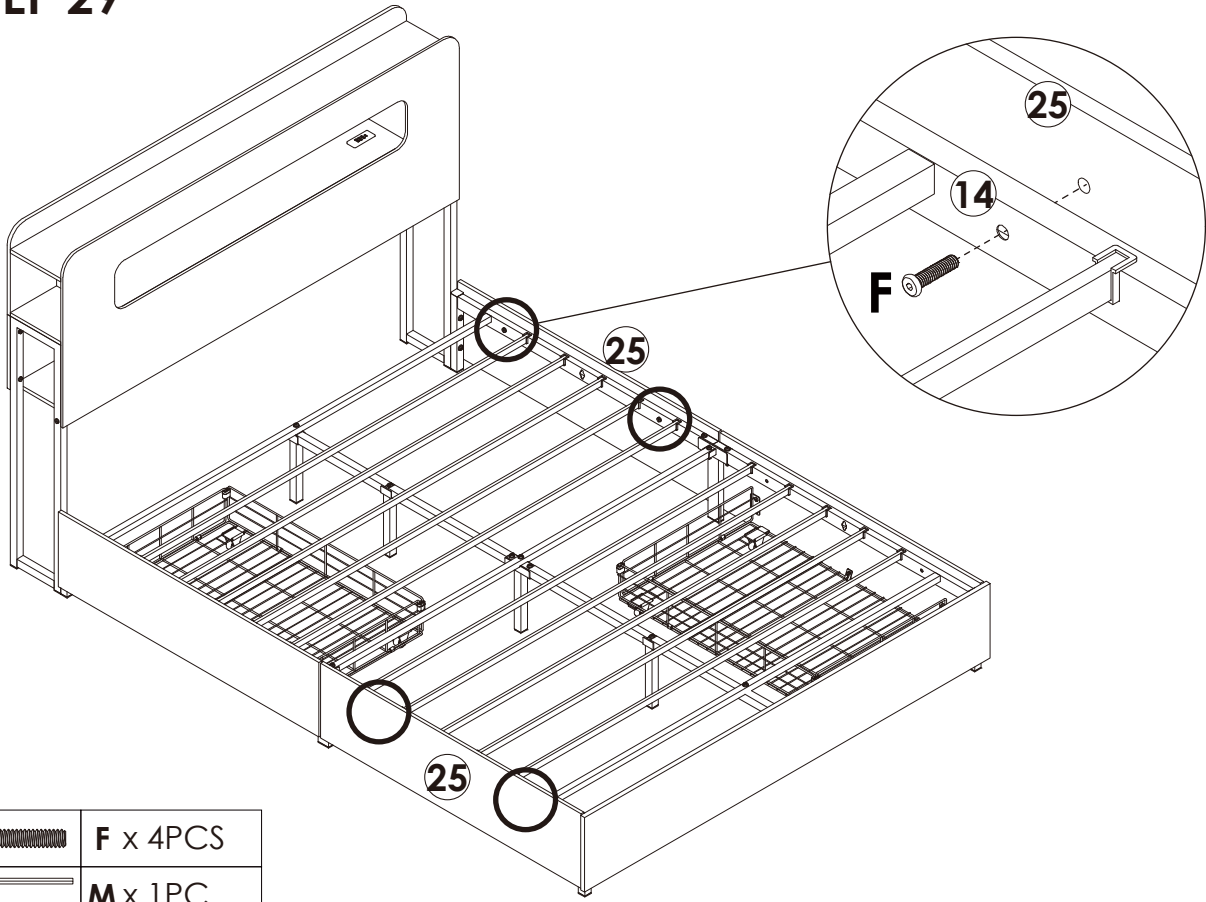




**The drawers are arbitrary,  
please put the drawer  
according to the room layout.**

Hang the screw of the drawer panel  
into this slot to secure the drawer.

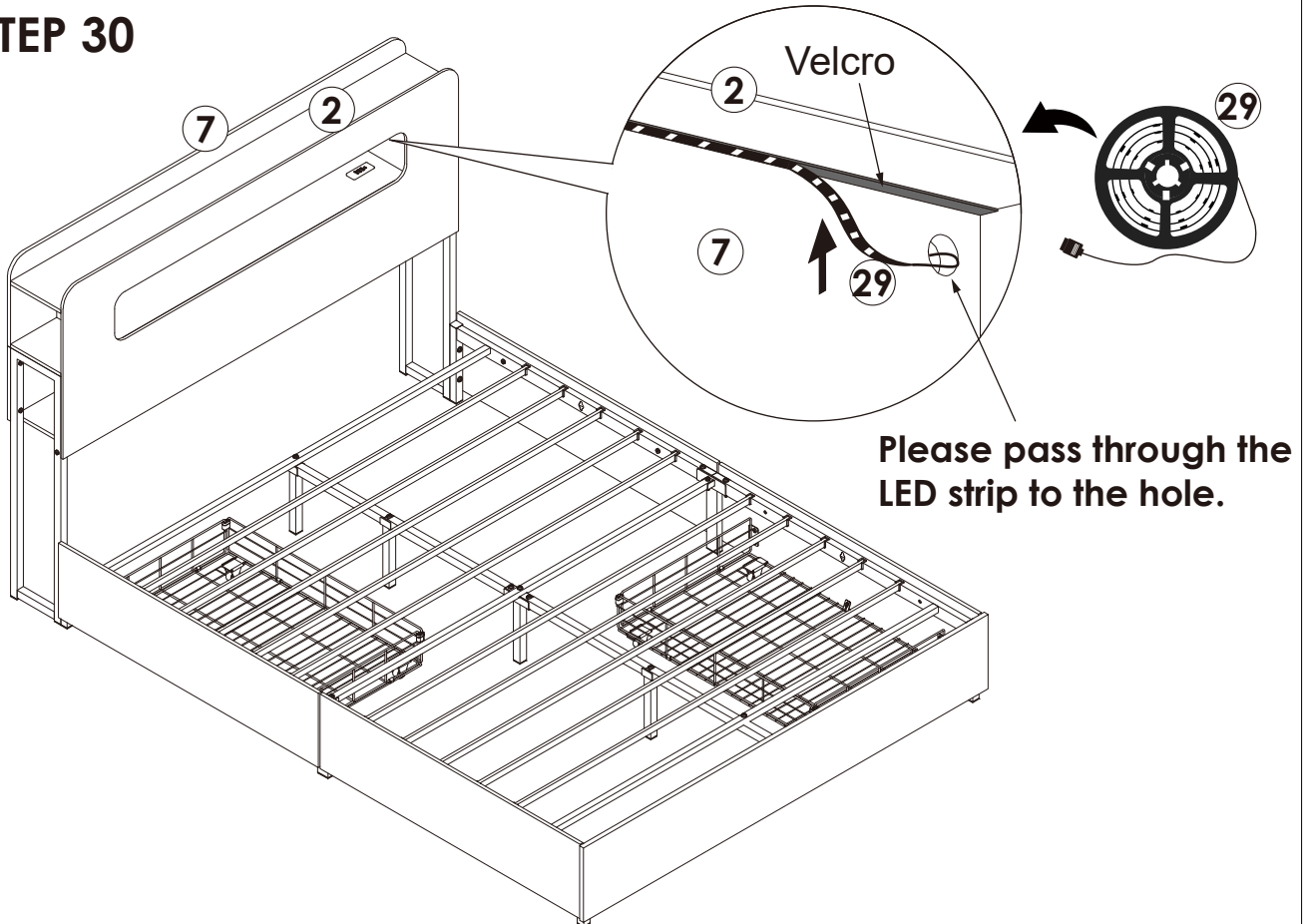
# Assembly Instruction of (Bed)

## STEP 29



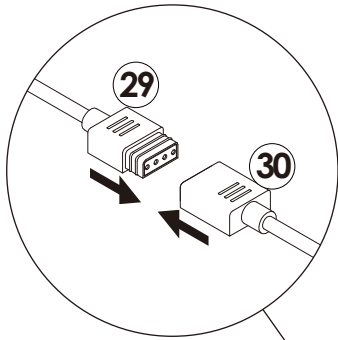
	F x 4PCS
	M x 1PC

## STEP 30

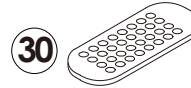


# Assembly Instruction of (Bed)

## STEP 31

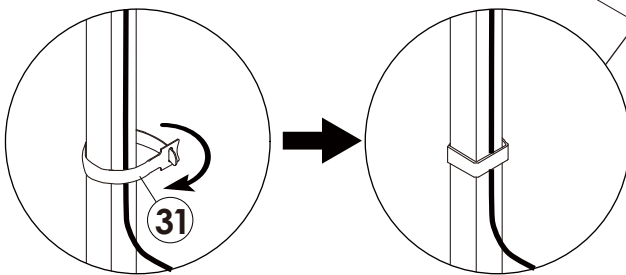
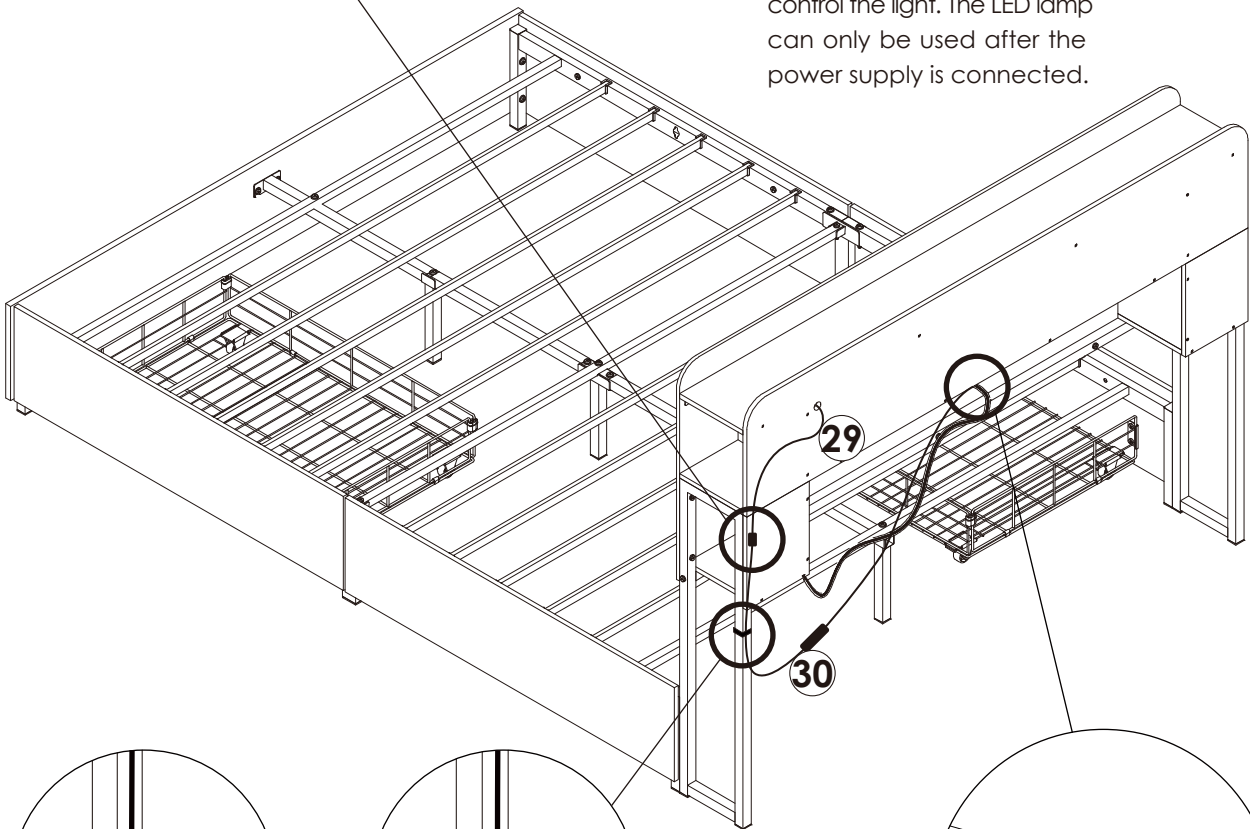


Noted: The square part of the receiver 30 needs to be exposed to air in order to better control the LED light.

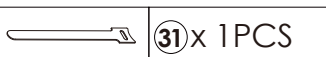
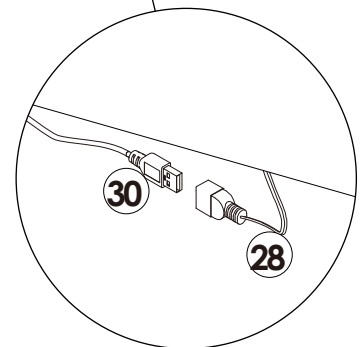


### Remote control

You can use the remote to control the light. The LED lamp can only be used after the power supply is connected.



You can use straps to secure the overly long light lamp to the bed.



31 x 1PCS

*Thanks Gracias!*