

# Assembly Instruction

## A. Components :

- |                    |     |
|--------------------|-----|
| 1. Headboard Panel | 1 x |
| 2. Footboard Panel | 1 x |
| 3. HB Right Leg    | 1 x |
| 4. HB Left Leg     | 1 x |
| 5. Stretcher       | 1 x |
| 6. Bed Rail        | 2 x |
| 7. Slat            | 4 x |
| 8. Slat Support    | 4 x |



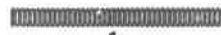
a



g



b



h



c



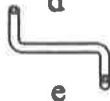
i



d



j



e



k



f

## B Hardware :

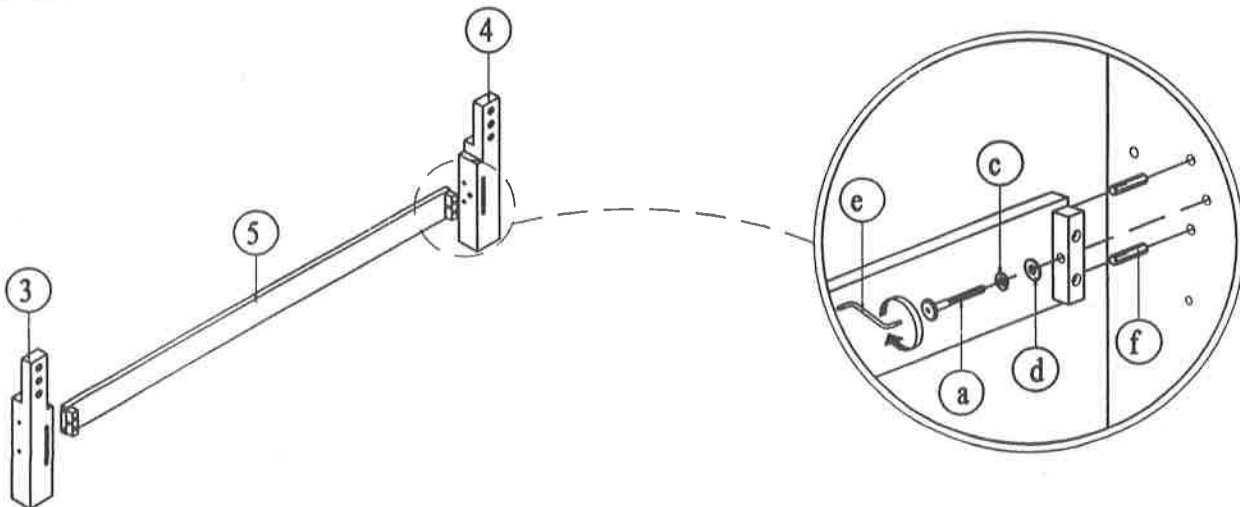
- |                     |     |
|---------------------|-----|
| a. Allen Bolt Short | 2 x |
| b. Allen Bolt Long  | 6 x |
| c. Lock Washer      | 8 x |
| d. Flat Washer      | 8 x |
| e. Allen Key        | 1 x |
| f. Dowel            | 4 x |
| g. Screw            | 8 x |
| h. Stud Bolt        | 8 x |
| i. Square Washer    | 8 x |
| j. Hex Nut          | 8 x |
| k. Wrench           | 1 x |

## B. Tool Required :

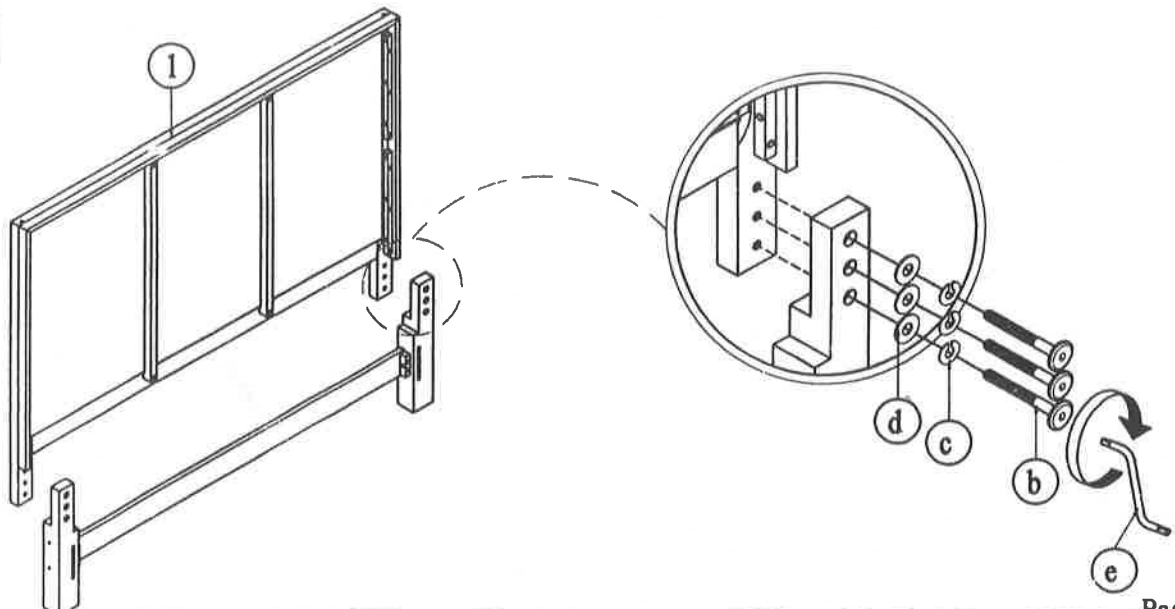
1. Screw Driver = (not included)



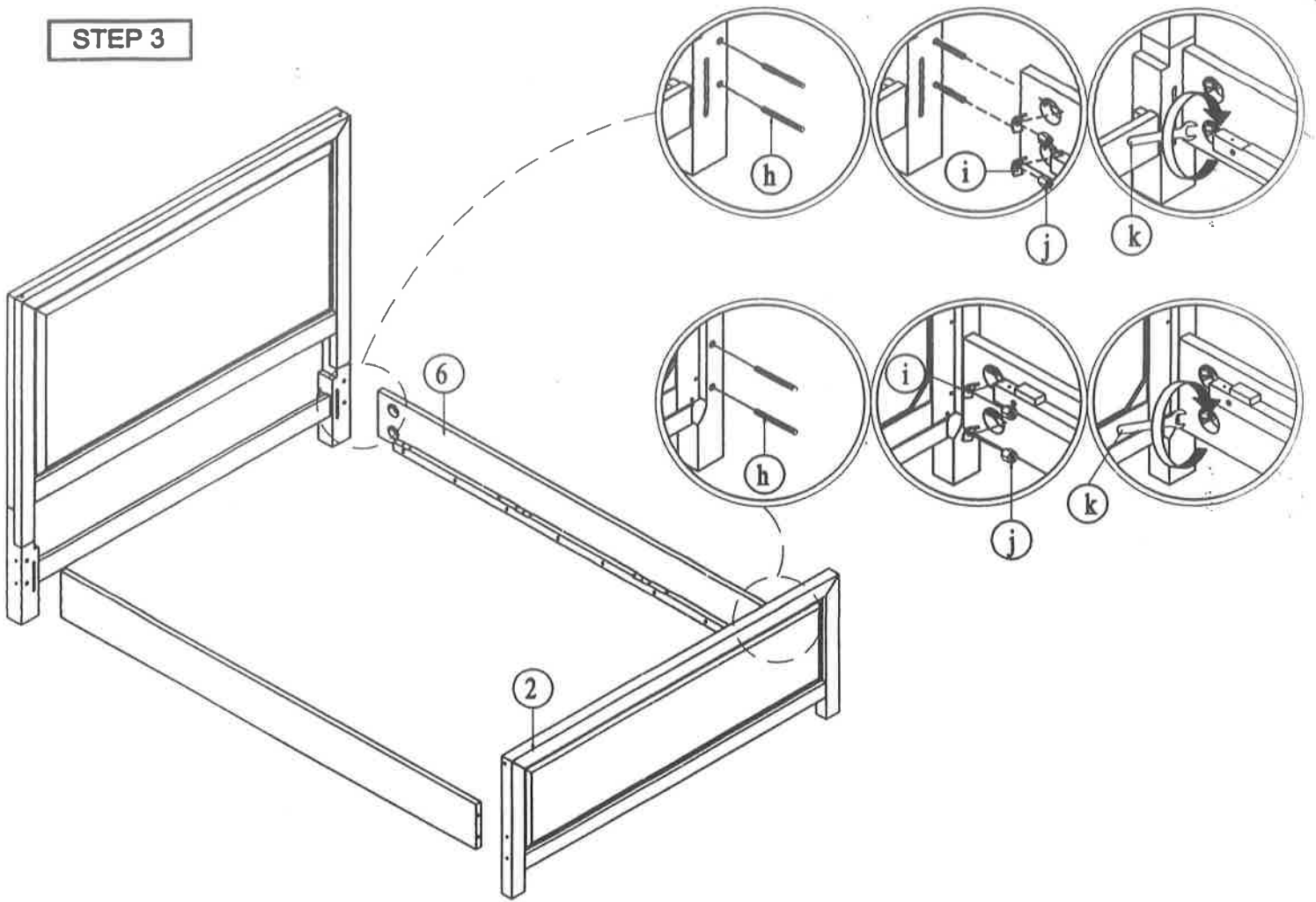
### STEP 1



### STEP 2



STEP 3



STEP 4

