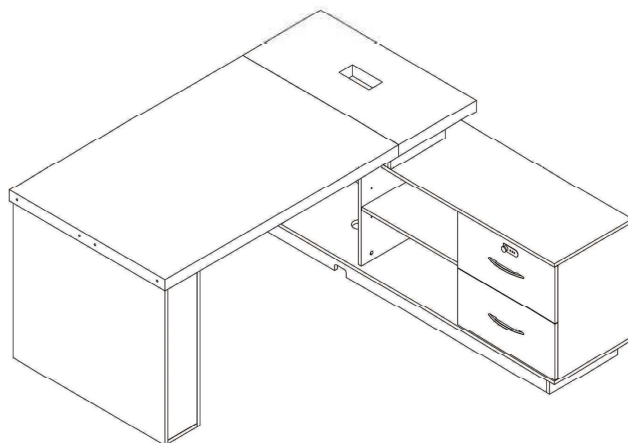


**PLEASE DO NOT RETURN TO STORE**

**User Manual**  
**ASSEMBLY INSTRUCTION**

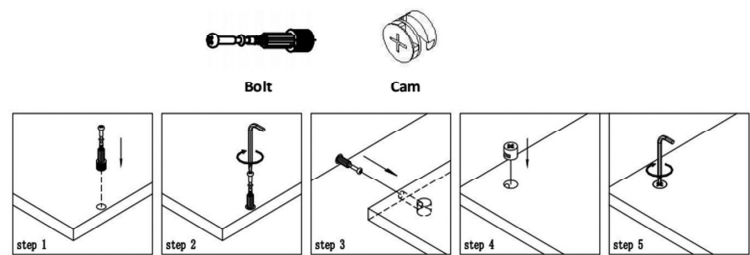
Right corner from inside  
62.9L\*62.9W\*29.5H Inch



Please do not return this product to the retailer!  
We are able to assist you in ANY way!

If you find that you have any trouble with assembly or  
missing or damaged parts please contact the seller.

## GENERAL ASSMEBLY DETAILS:



## FINAL NOTE:

Please read on for important information regarding your furniture.

1. Dust frequently with a clean damp, lint-free cloth.
2. Do not place hot objects on any furniture surface.
3. Avoid exposing your furniture to strong sunlight
4. Do not expose your furniture to any liquids.
5. When moving furniture, do not drag it across the floor.

Cam lock fasteners are used to join two pieces boards together.

1. Using a screw driver or cordless drill, do not over tighten Bolts.
2. Use a flathead screwdriver to turn and tighten the Cam lock in a clockwise direction until the head of the pin is tightly secured.  
DO NOT USE A CORDLESS DRILL

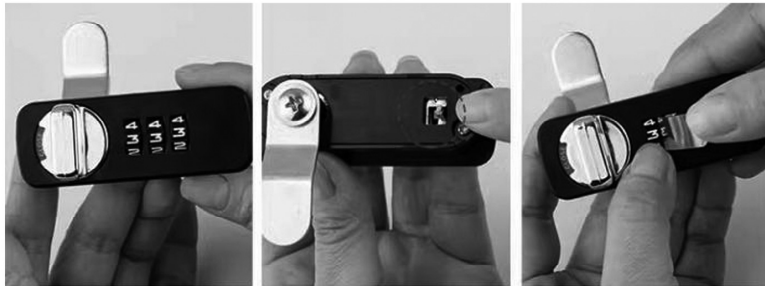
## How to set the password of the combination lock?



1. Initial password: "000"

2. With the lock open, find the lift lever from the back

3. Move the lever from point A to point B



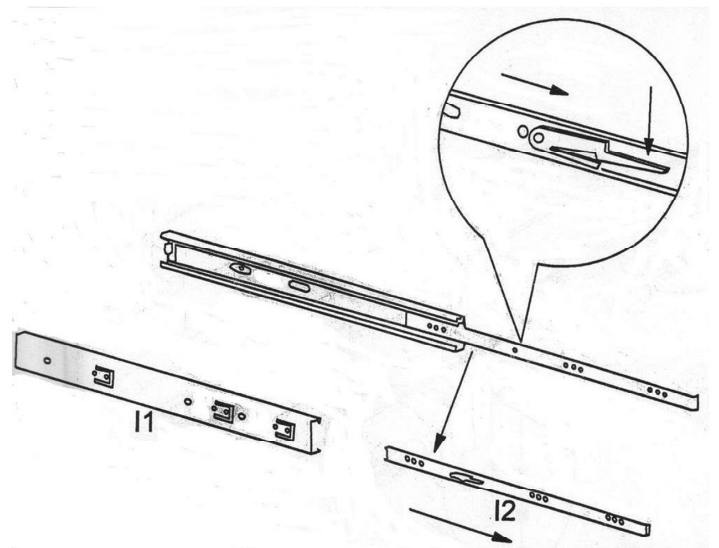
4. Set new password, for example, "333"

5. Reset the lever to the initial position

6. Complete Password Modification

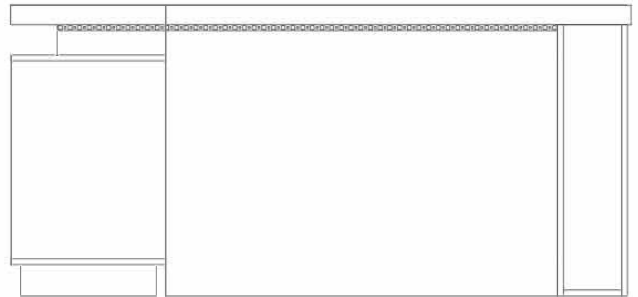
## How to separate drawer sliders?

1. The drawer slide I1 & I2 may be connected.
2. Carefully pull out slide part I2 and press the plastic clip/lever to unlock to fully separate the two parts of the runner.





The installation drawing of the light strip, please refer to the light strip usage instruction card for details, thank you!



## Parts List

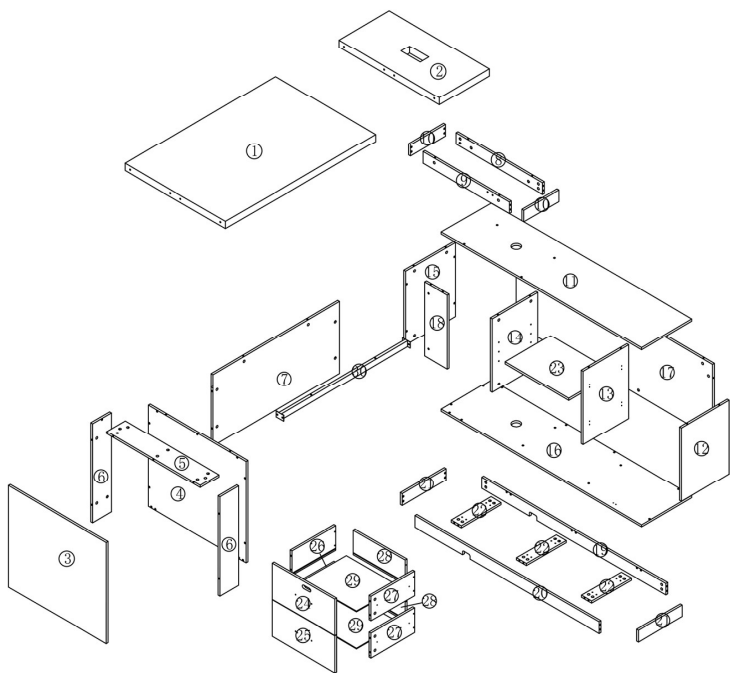
NO.	Drawing	Dimension	QTY
1		1200*800*50mm	*1
2		400*800*50mm	*1
3		700*780*15mm	*1
4		700*780*15mm	*1
5		748*150*15mm	*1
6		685*150*15mm	*2
7		1011*500*15mm	*1
8		690*80*15mm	*1
9		690*80*15mm	*1
10		280*80*15mm	*2
11		1600*400*15mm	*1
12		510*380*15mm	*1
13		510*364*15mm	*1
14		510*364*15mm	*1
15		510*398*15mm	*1
16		1600*400*15mm	*1

NO.	Drawing	Dimension	QTY
17		1568*510*15mm	*1
18		510*180*15mm	*1
19		1470*80*15mm	*1
20		1470*80*15mm	*1
21		350*80*15mm	*2
22		318*80*15mm	*3
23		508*362*15mm	*1
24		500*252*15mm	*1
25		500*252*15mm	*1
26		350*170*15mm	*2
27		350*170*15mm	*2
28		415*170*15mm	*2
29		425*344*4mm	*2
30		1011*40*60mm	*1

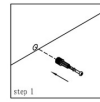
## Hardware Fitting

NO.	Drawing	QTY
A		*102
B		*102
C		*2
D		*2
E		*8
F		*28
G		*2
H		*4

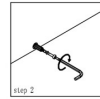
NO.	Drawing	QTY
I		*2
J		*4
K		*1
L		*1
M		*4
N		*12
O		*2
P		*4
Q		*16



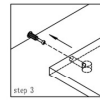
## Cam Coupling Using Methods



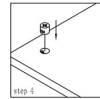
**Step1.**  
Connect the cam coupling A as directed in the assembly instructions using hand.



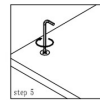
**Step2.**  
Screw the cam coupling A as directed in the assembly instructions.



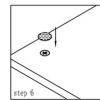
**Step3.**  
Push the cam coupling A into the entry hole.



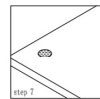
**Step4.**  
Insert the cam coupling B as shown in the instructions.



**Step5.**  
Turn the cam coupling B clockwise with a screwdriver

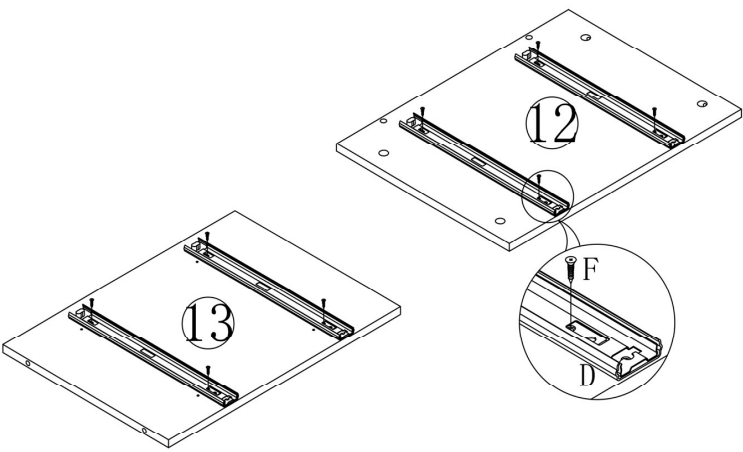


**Step6.**  
Put on Beautycam.

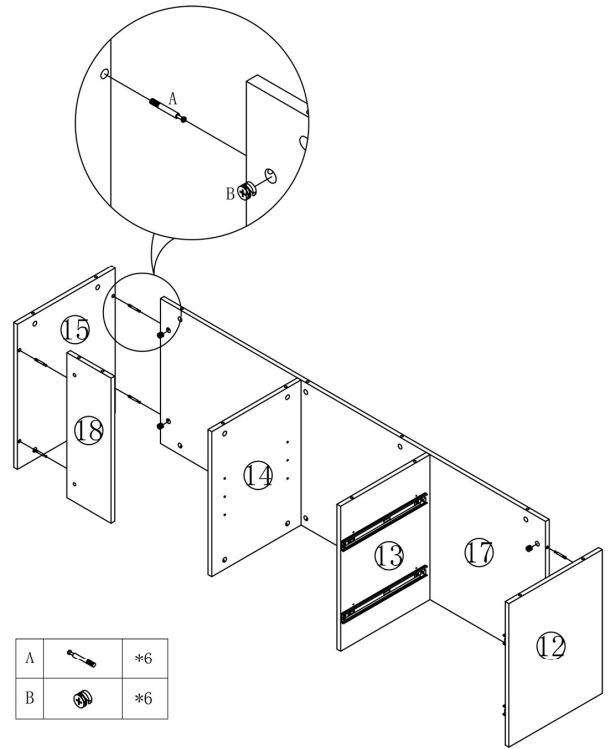


**Step7.**  
Finished.

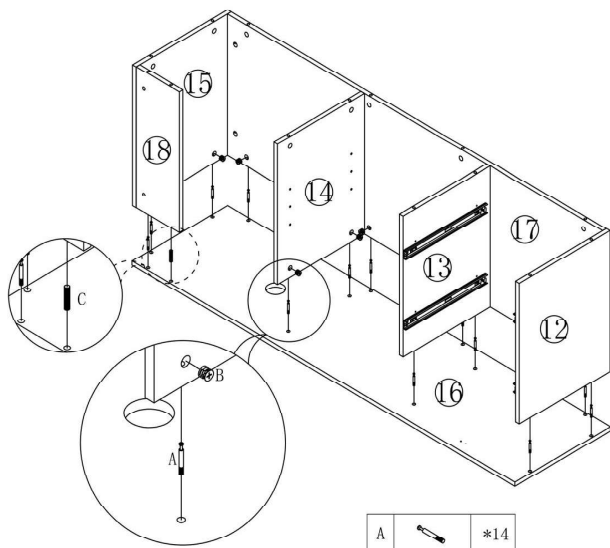
You should feel a click when the camlock is locked in place.  
The joint is now secure.






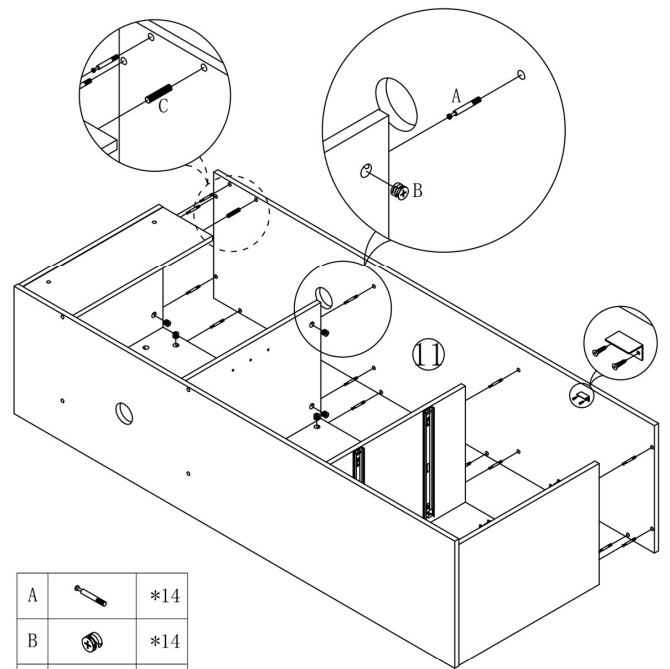
D		*2
F	 3.5*14mm	*8






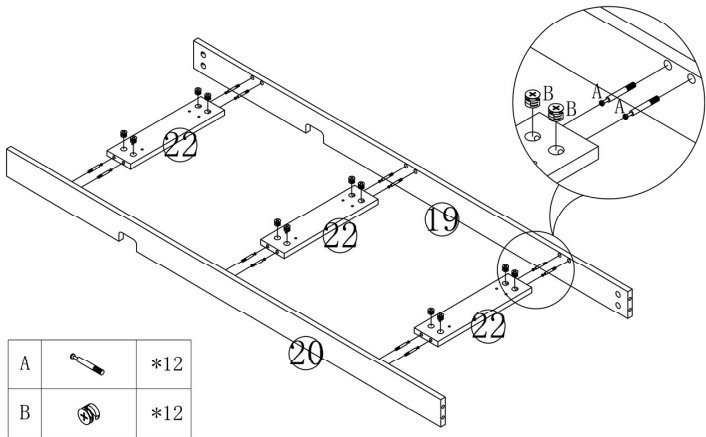
A		*6
B		*6





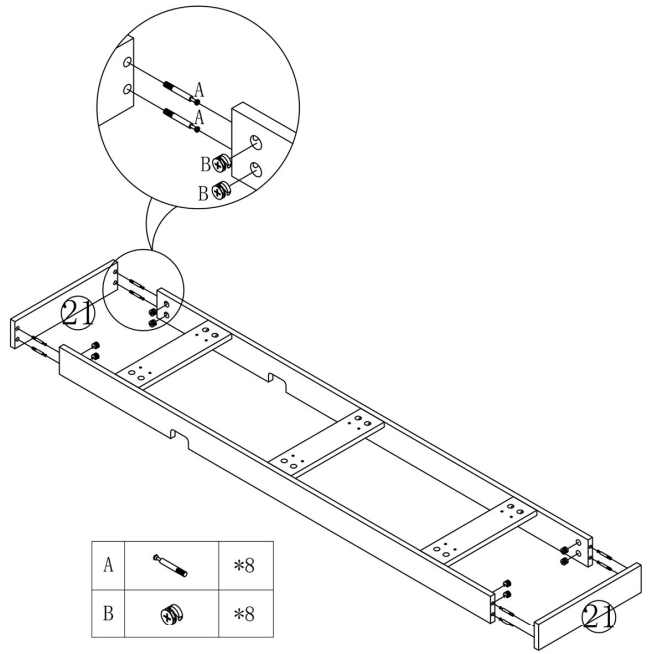
A		*14
B		*14
C	 $\varnothing 20mm$	*1





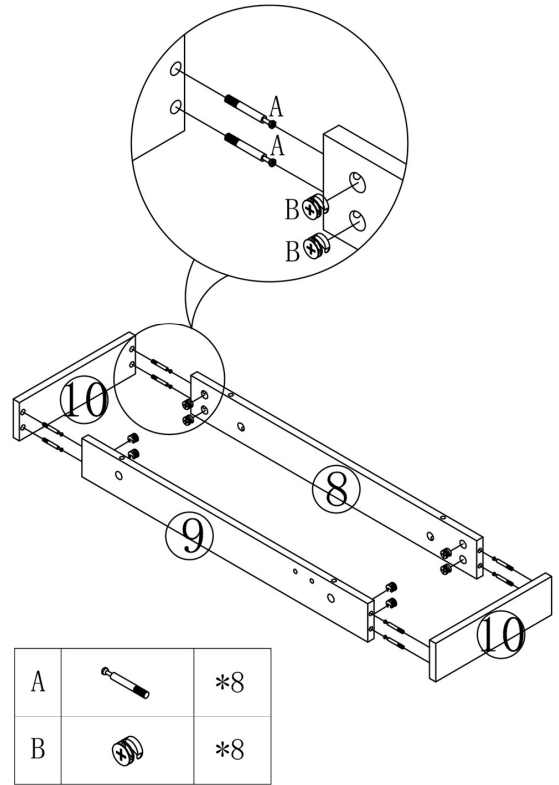
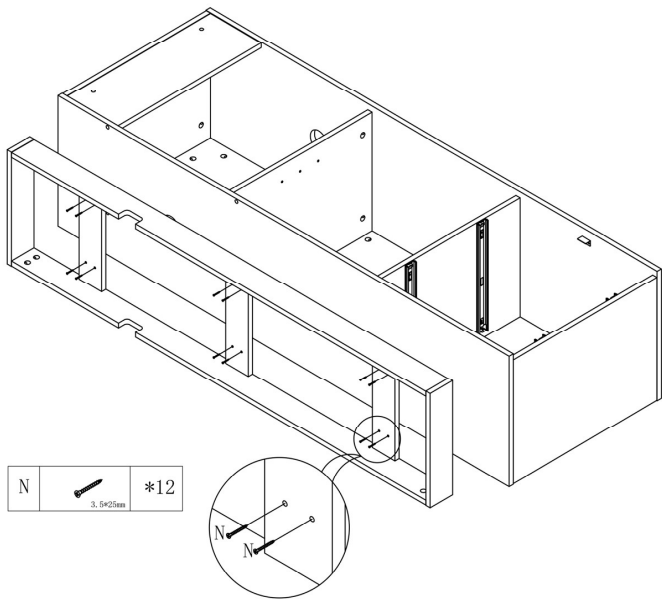
A		*14
B		*14
C	 $\varnothing 20mm$	*1

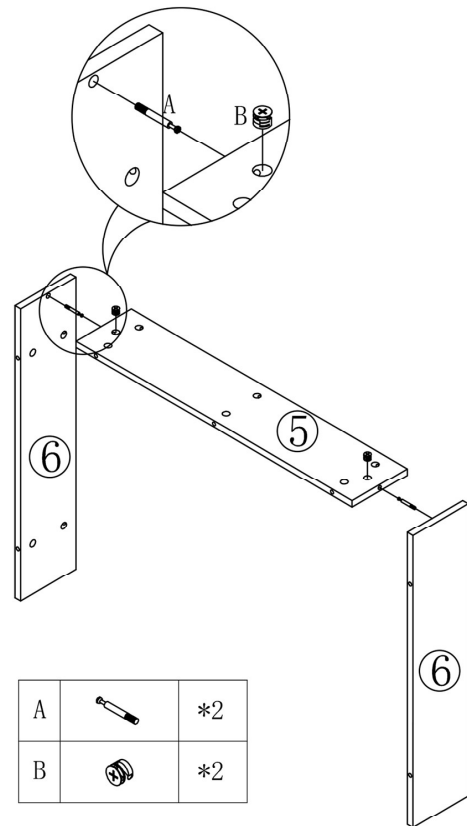
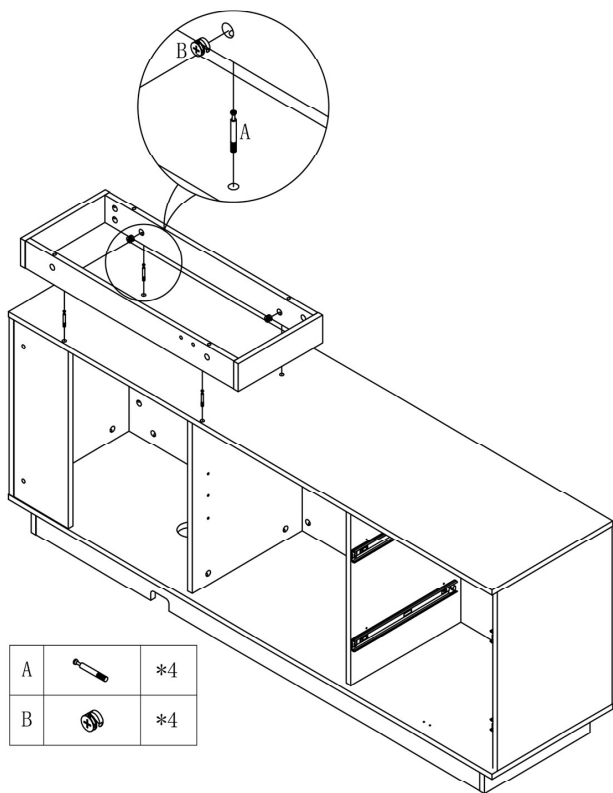


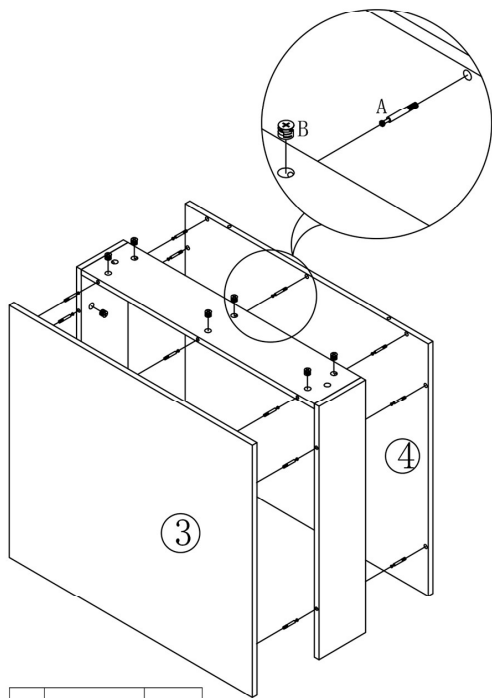
A		*12
B		*12





A		*8
B		*8

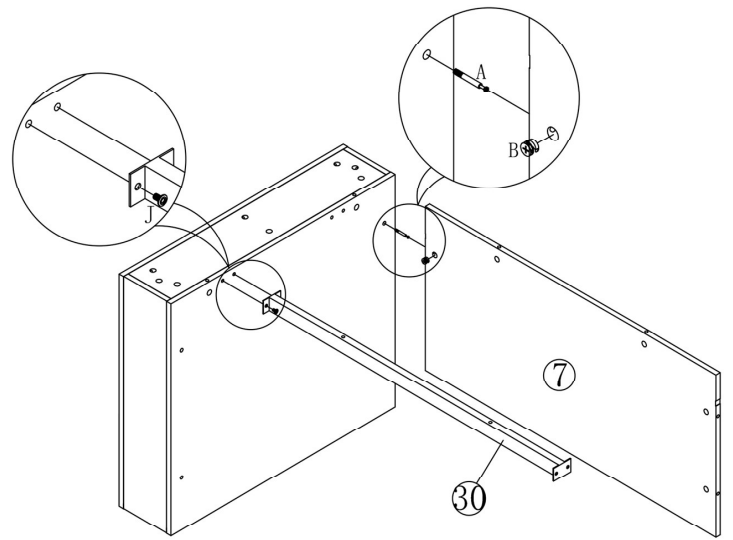










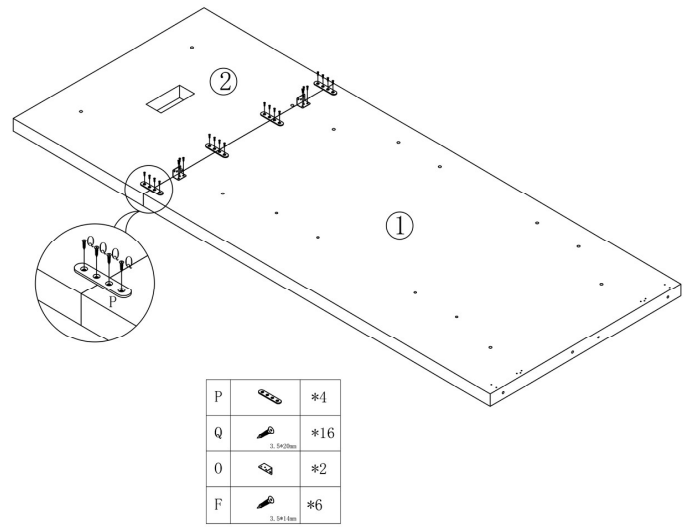
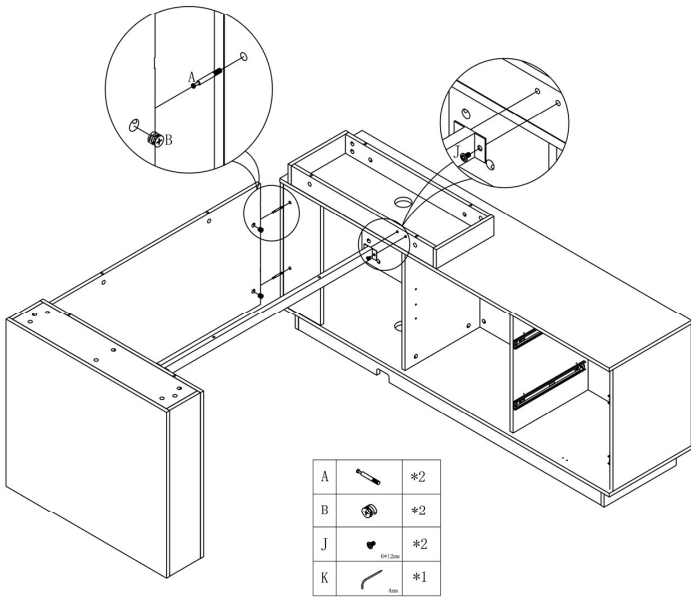
A		*14
B		*14

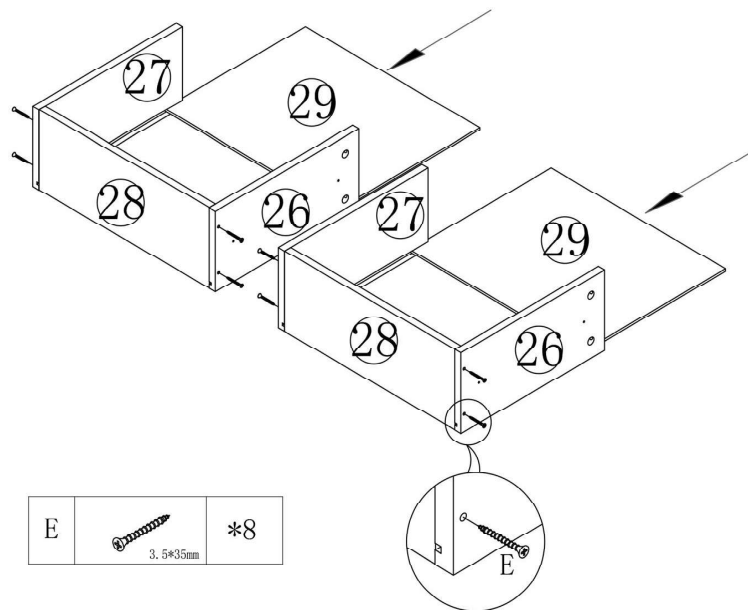
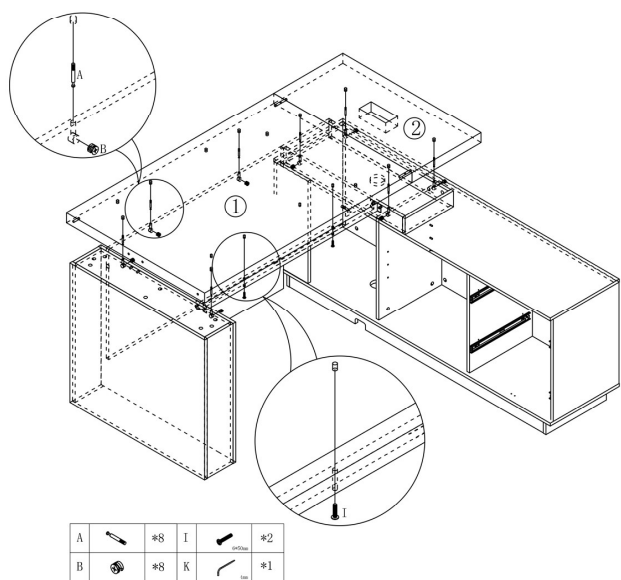
— 15 —

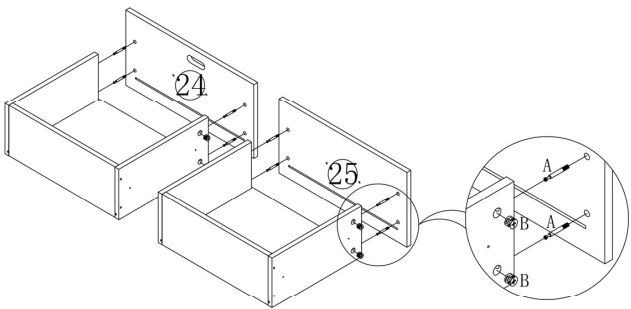




A		*2
B		*2
J	 6*12mm	*2
K	 6mm	*1

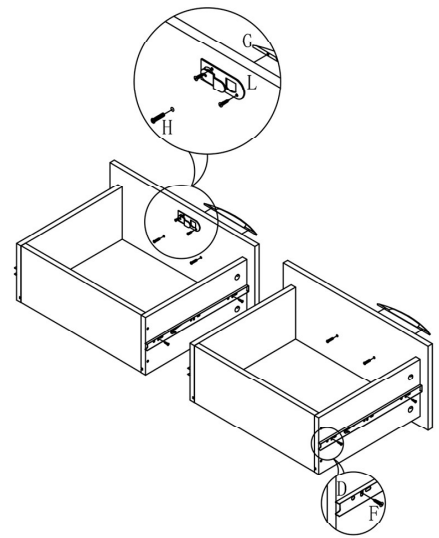
— 16 —








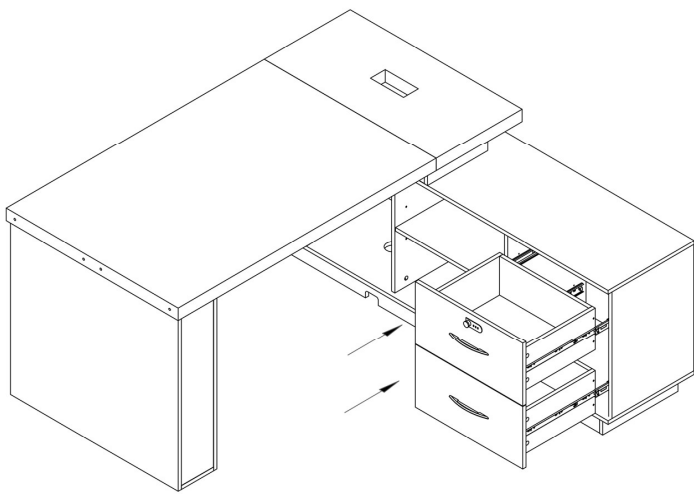




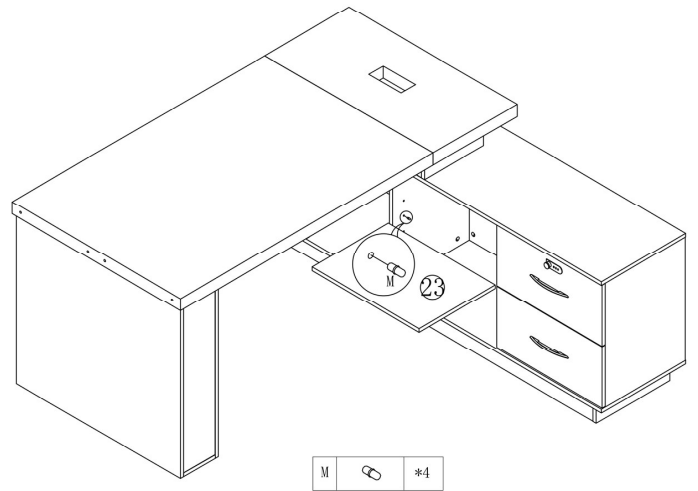
A		*8
B		*8



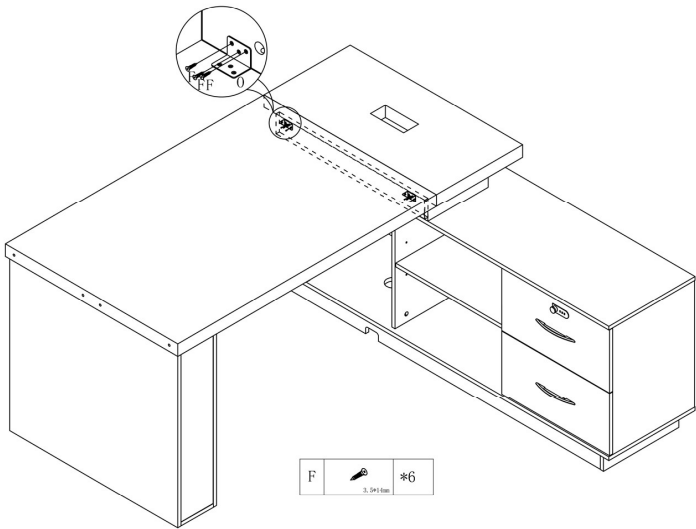
D		*2	G		*2
F	 3.5*15mm	*8	H	 4*18mm	*4
			L		*1



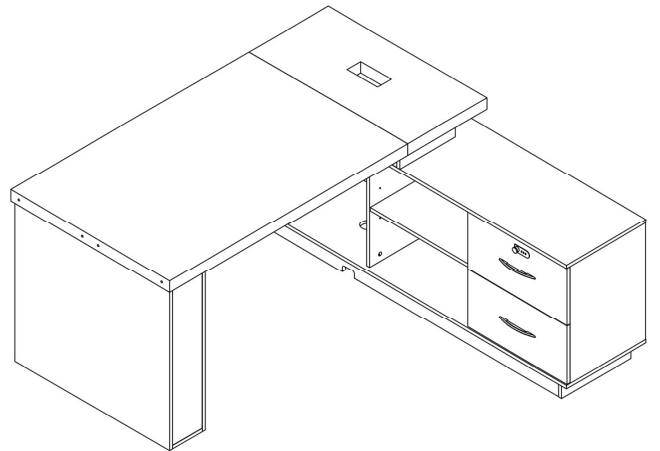
— 23 —



— 24 —



— 25 —

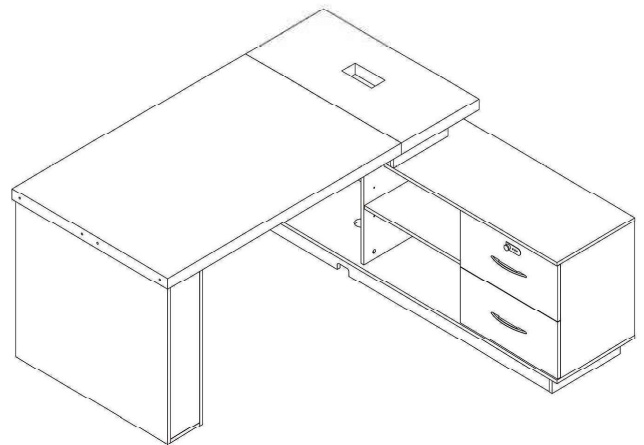


— 26 —

**PLEASE DO NOT RETURN TO STORE**

**User Manual  
ASSEMBLY INSTRUCTION**

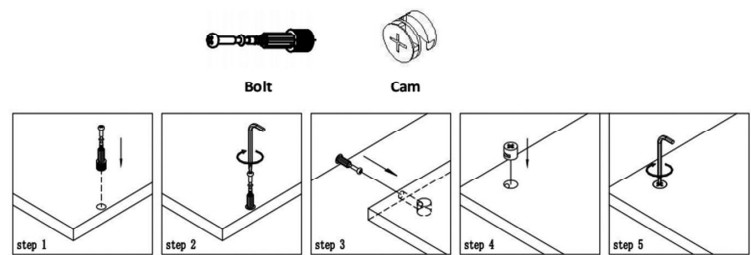
Right corner from inside  
70.86L\*62.9W\*29.5H Inch



Please do not return this product to the retailer!  
We are able to assist you in ANY way!

If you find that you have any trouble with assembly or  
missing or damaged parts please contact the seller.

## GENERAL ASSMEBLY DETAILS:



## FINAL NOTE:

Please read on for important information regarding your furniture.

1. Dust frequently with a clean damp, lint-free cloth.
2. Do not place hot objects on any furniture surface.
3. Avoid exposing your furniture to strong sunlight
4. Do not expose your furniture to any liquids.
5. When moving furniture, do not drag it across the floor.

Cam lock fasteners are used to join two pieces boards together.

1. Using a screw driver or cordless drill, do not over tighten Bolts.
2. Use a flathead screwdriver to turn and tighten the Cam lock in a clockwise direction until the head of the pin is tightly secured.  
DO NOT USE A CORDLESS DRILL

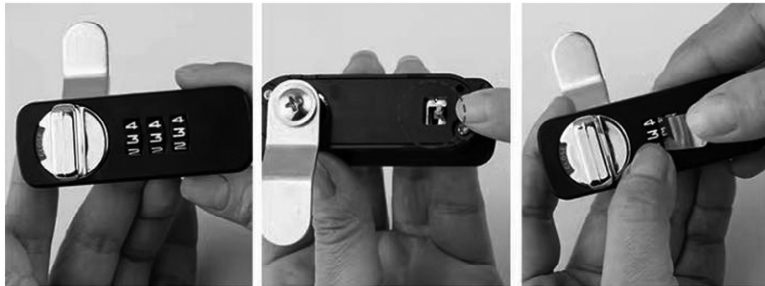
## How to set the password of the combination lock?



1. Initial password: "000"

2. With the lock open, find the lift lever from the back

3. Move the lever from point A to point B



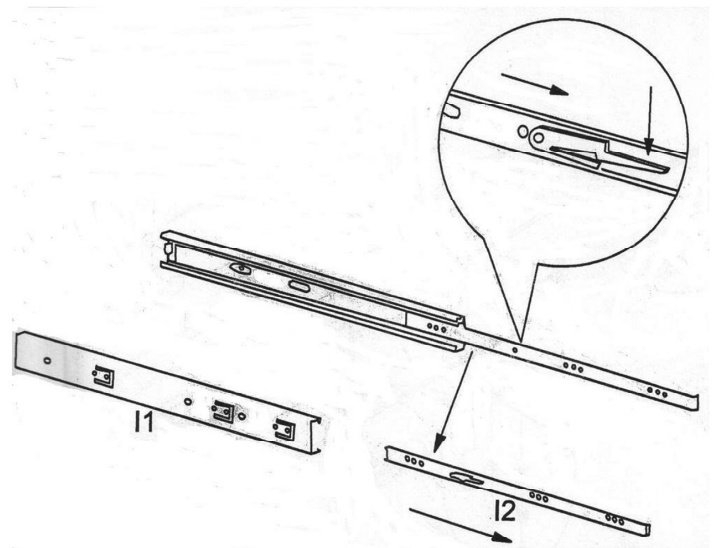
4. Set new password, for example, "333"

5. Reset the lever to the initial position

6. Complete Password Modification

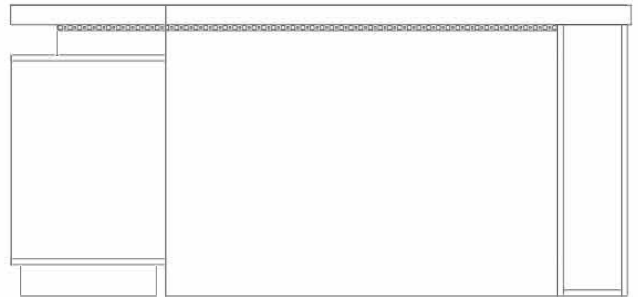
## How to separate drawer sliders?

1. The drawer slide I1 & I2 may be connected.
2. Carefully pull out slide part I2 and press the plastic clip/lever to unlock to fully separate the two parts of the runner.





The installation drawing of the light strip, please refer to the light strip usage instruction card for details, thank you!



## Parts List

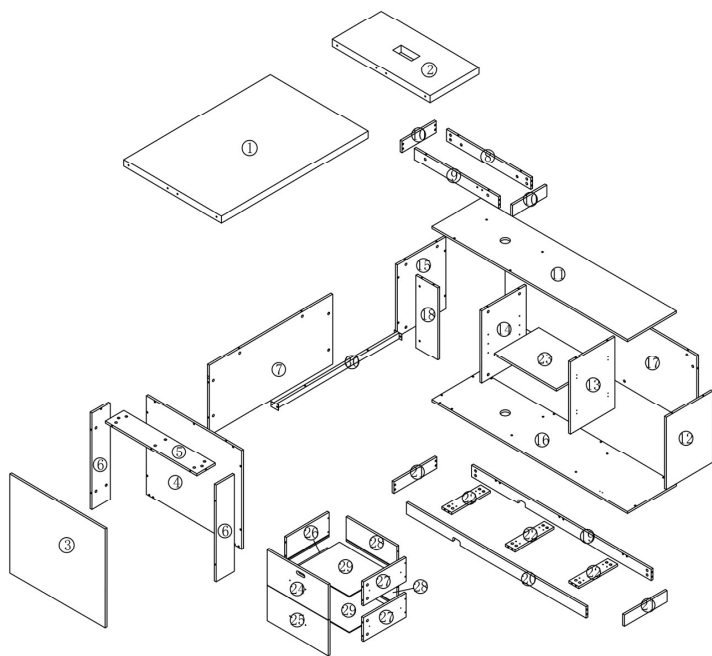
NO.	Drawing	Dimension	QTY
1		1400*800*50mm	*1
2		400*800*50mm	*1
3		700*780*15mm	*1
4		700*780*15mm	*1
5		748*150*15mm	*1
6		685*150*15mm	*2
7		1211*500*15mm	*1
8		690*80*15mm	*1
9		690*80*15mm	*1
10		280*80*15mm	*2
11		1600*400*15mm	*1
12		510*380*15mm	*1
13		510*364*15mm	*1
14		510*364*15mm	*1
15		510*398*15mm	*1
16		1600*400*15mm	*1

NO.	Drawing	Dimension	QTY
17		1568*510*15mm	*1
18		510*180*15mm	*1
19		1470*80*15mm	*1
20		1470*80*15mm	*1
21		350*80*15mm	*2
22		318*80*15mm	*3
23		508*362*15mm	*1
24		500*252*15mm	*1
25		500*252*15mm	*1
26		350*170*15mm	*2
27		350*170*15mm	*2
28		415*170*15mm	*2
29		425*344*4mm	*2
30		1211*40*60mm	*1

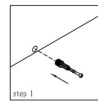
## Hardware Fitting

NO.	Drawing	QTY
A	8*30mm	*102
B		*102
C	8*30mm	*2
D		*2
E	3.5*35mm	*8
F	3.5*14mm	*28
G		*2
H	4*18mm	*4

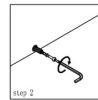
NO.	Drawing	QTY
I	6*50mm	*2
J	6*12mm	*4
K	4mm	*1
L		*1
M		*4
N	3.5*25mm	*12
O		*2
P		*4
Q	3.5*20mm	*16



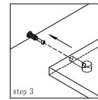
## Cam Coupling Using Methods



**Step1.**  
Connect the cam coupling A as directed in the assembly instructions using hand.



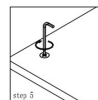
**Step2.**  
Screw the cam coupling A as directed in the assembly instructions.



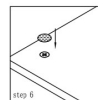
**Step3.**  
Push the cam coupling A into the entry hole.



**Step4.**  
Insert the cam coupling B as shown in the instructions.



**Step5.**  
Turn the cam coupling B clockwise with a screwdriver

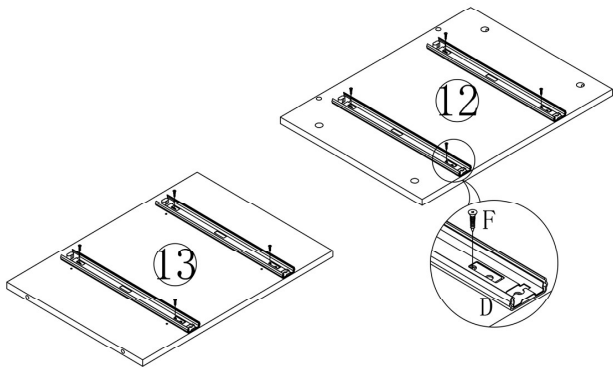




**Step6.**  
Put on Beautycam.

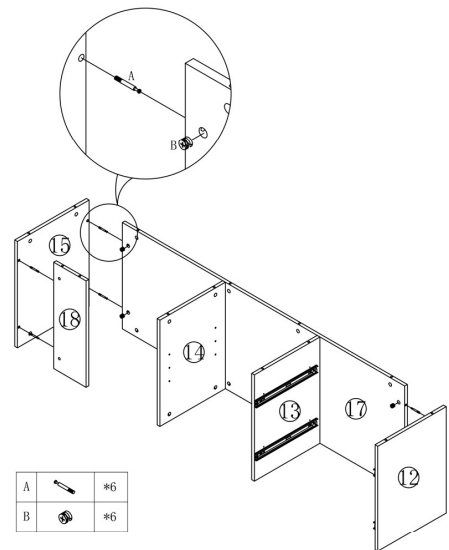




**Step7.**  
Finished.

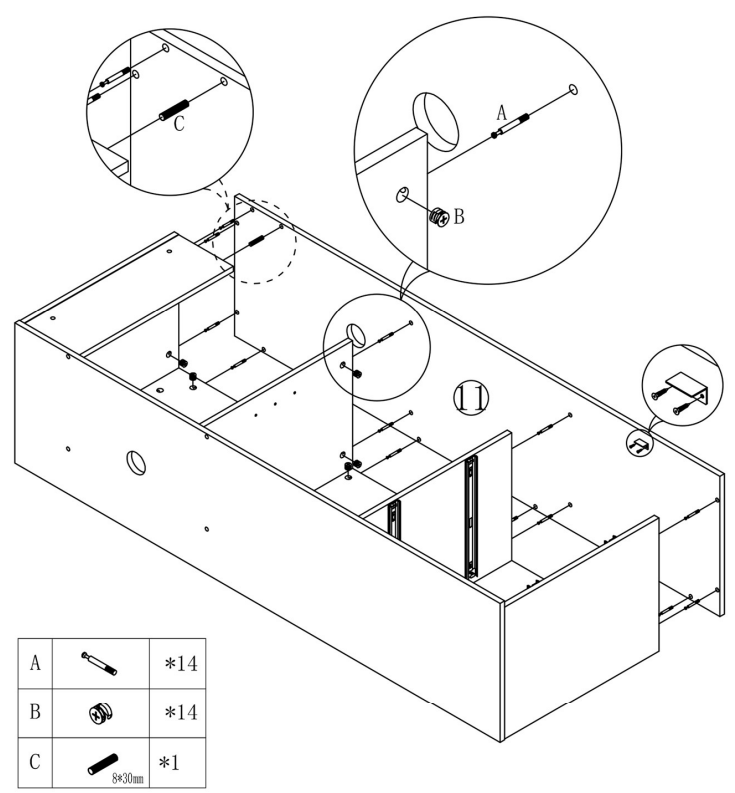
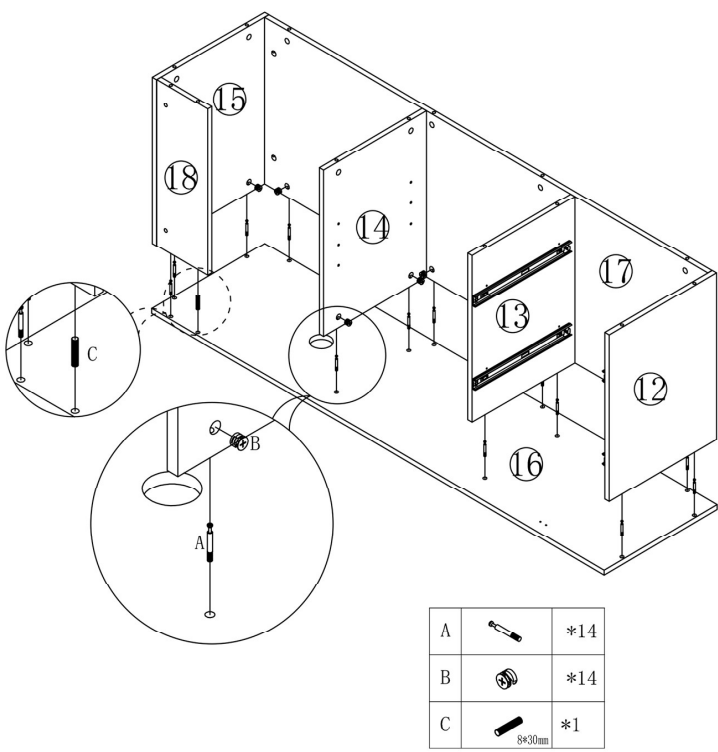
You should feel a click when the camlock is locked in place.  
The joint is now secure.

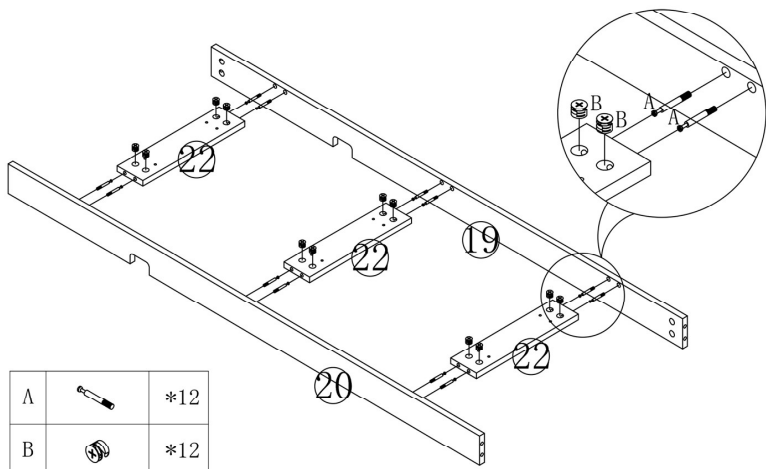




D		*2
F	 3.5*1.4mm	*8

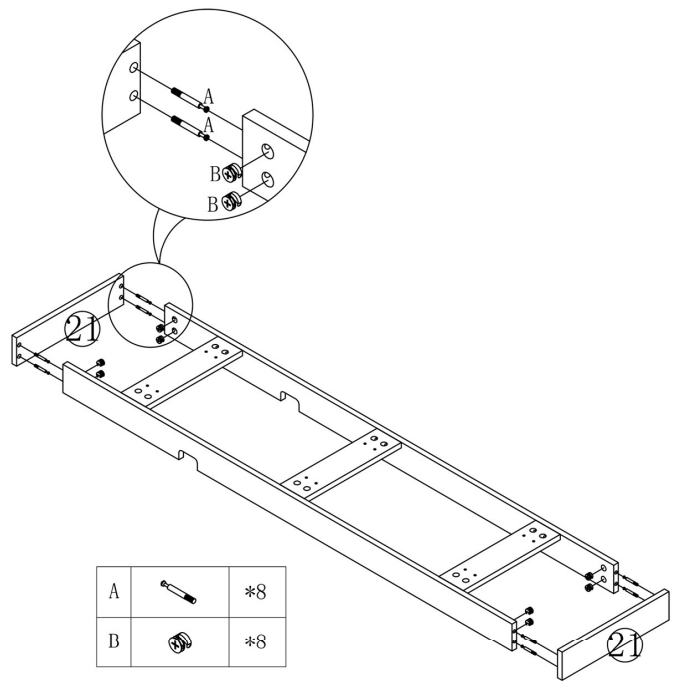




A		*6
B		*6

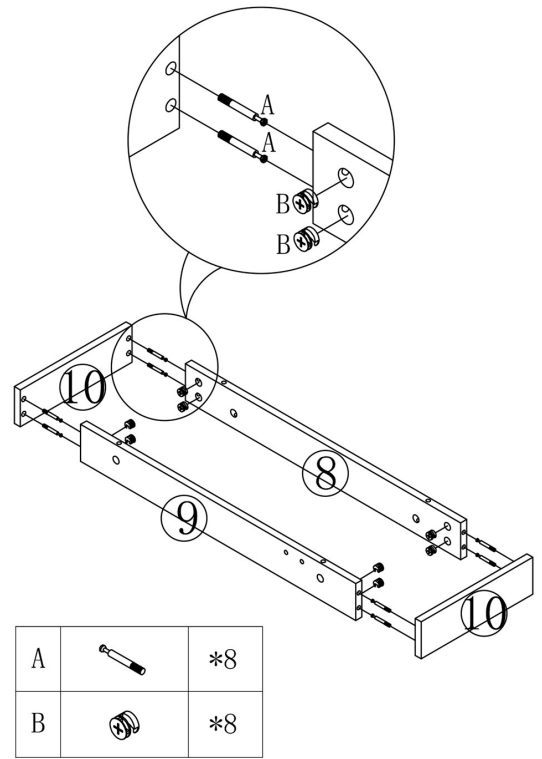
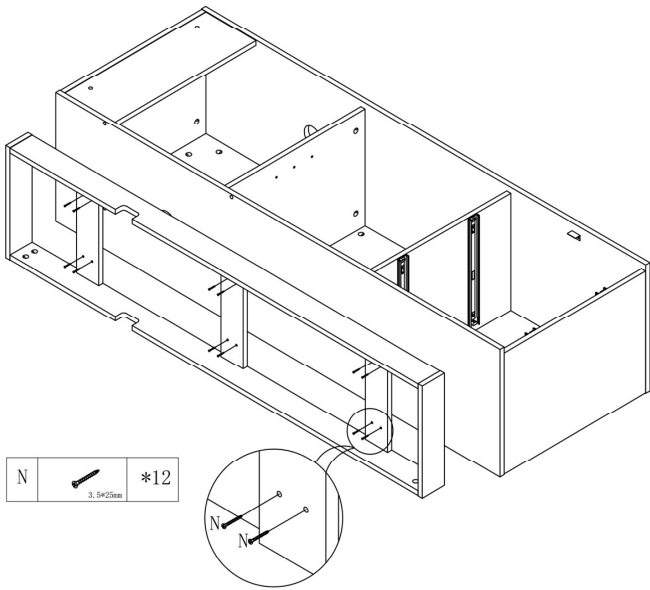


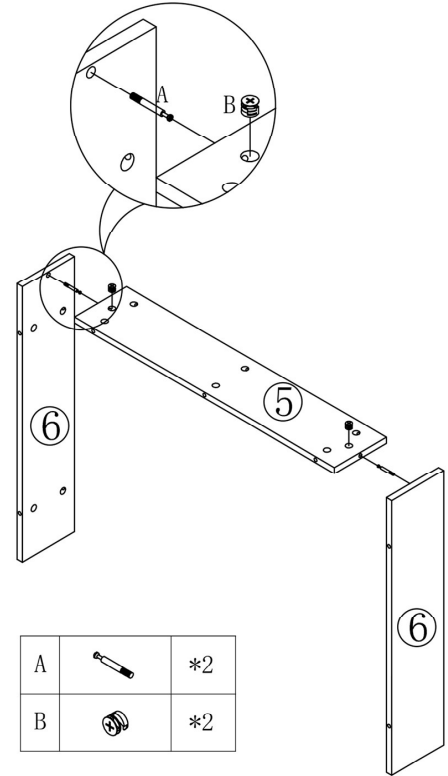
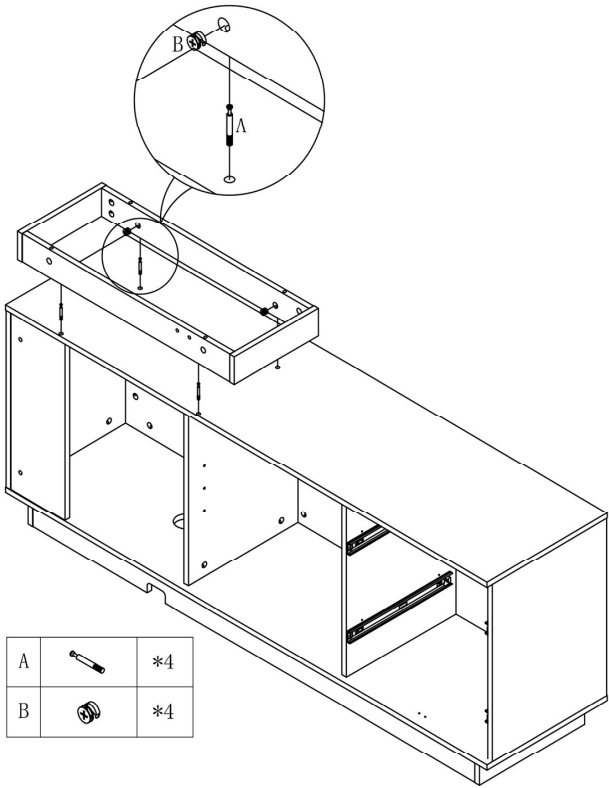


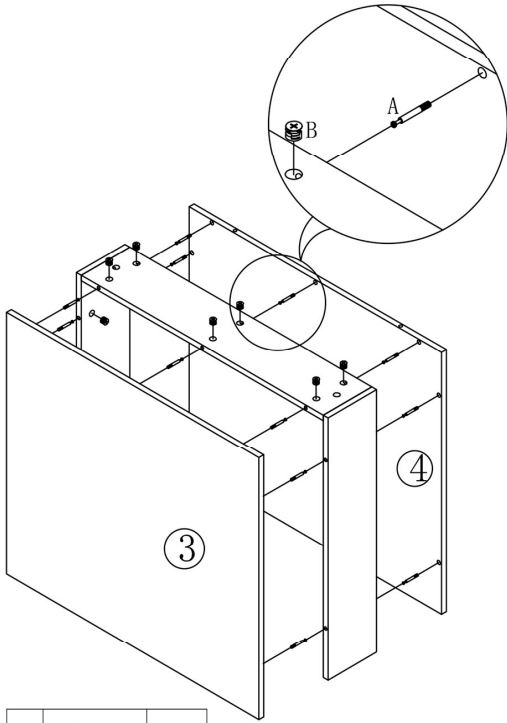
A		*12
B		*12





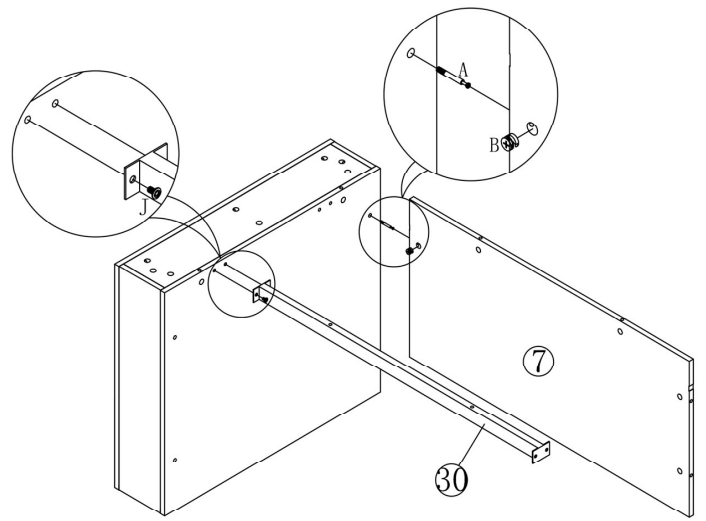
A		*8
B		*8







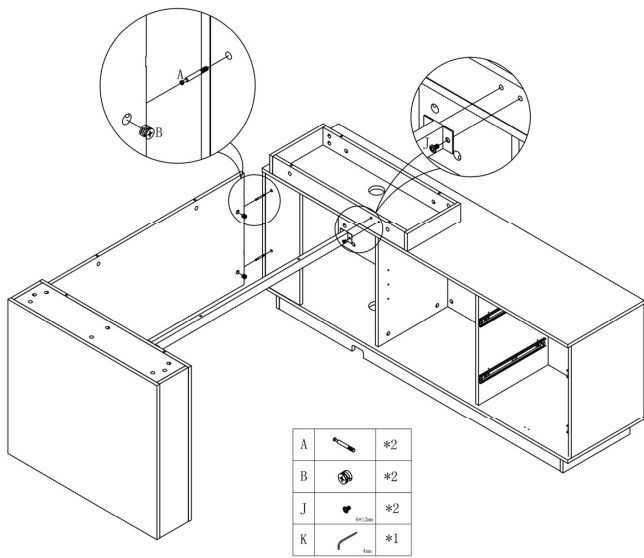




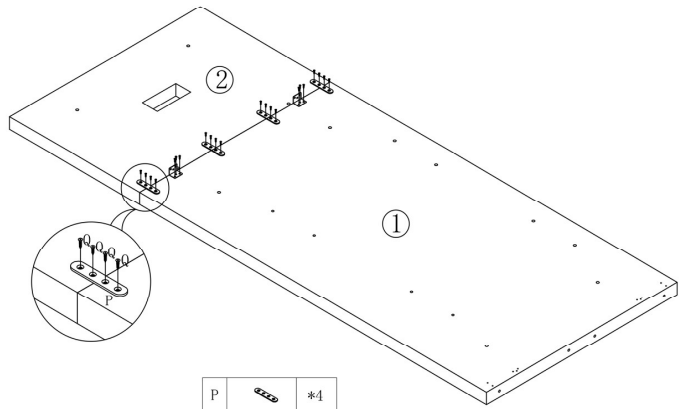
A		*14
B		*14



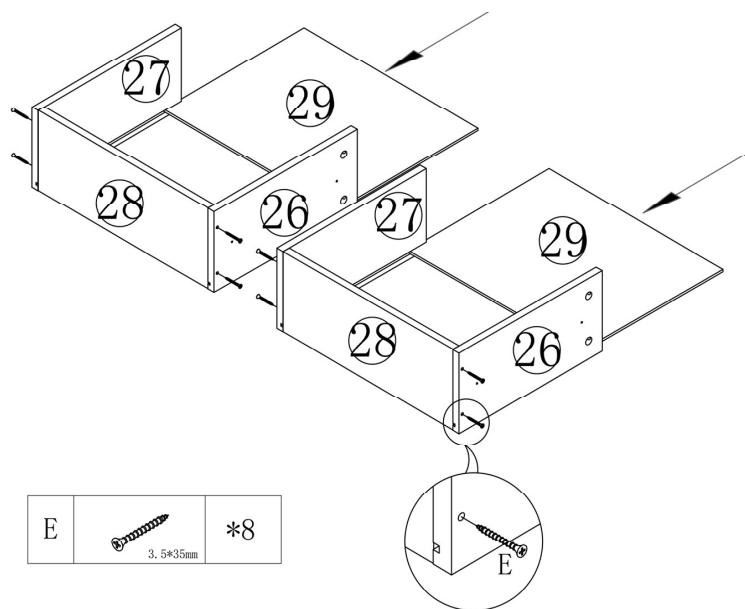
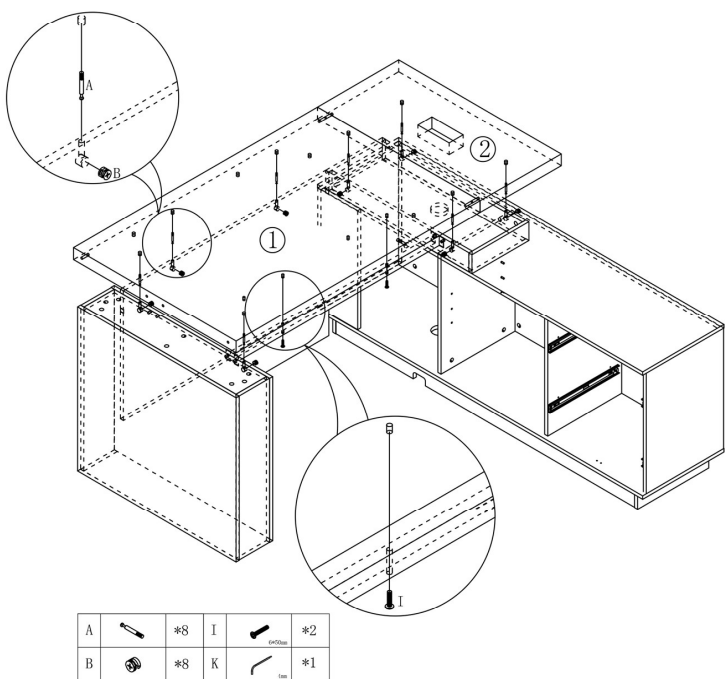
A		*2
B		*2
J	 6x12mm	*2
K	 4mm	*1

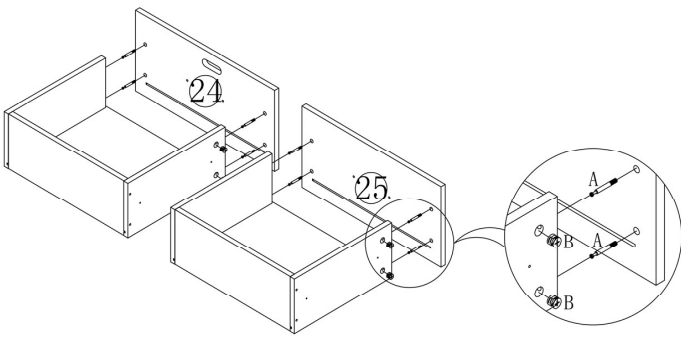




A		*2
B		*2
J		*2
K		*1

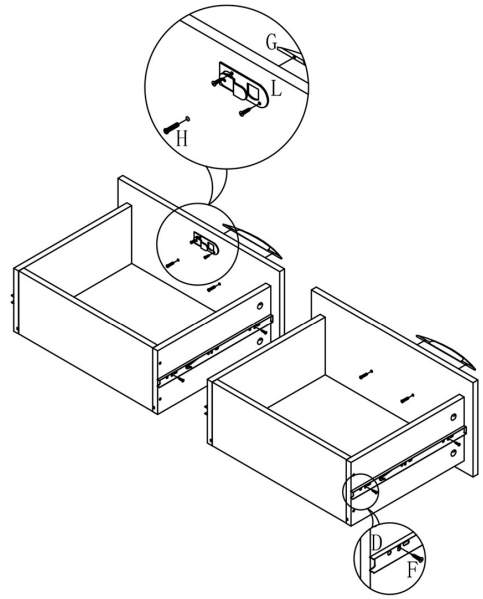







P		*4
Q		*16
O		*2
F		*6

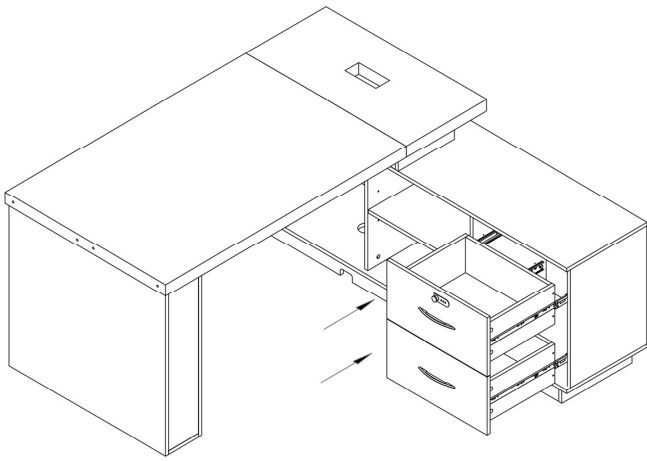




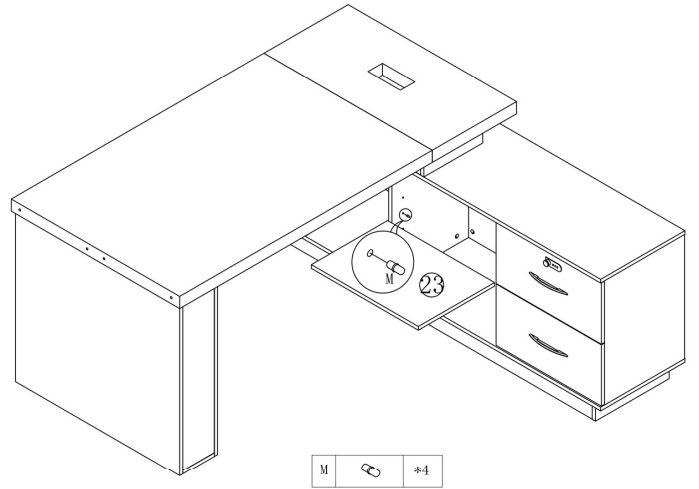
A		*8
B		*8



D		*2	G		*2
F	 3,6*14mm	*8	H	 4*18mm	*4
			L		*1

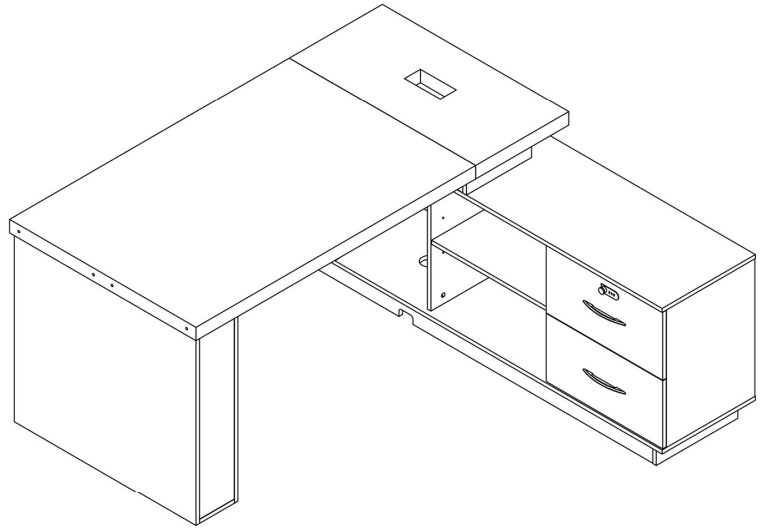
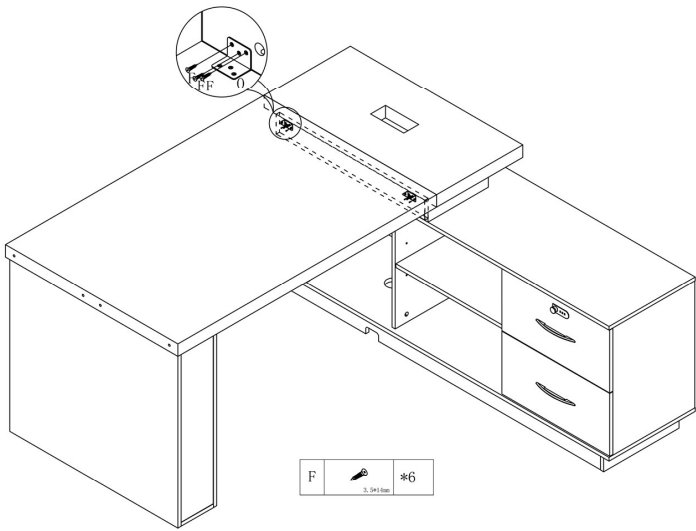


— 23 —



M	8	*4
---	---	----

— 24 —

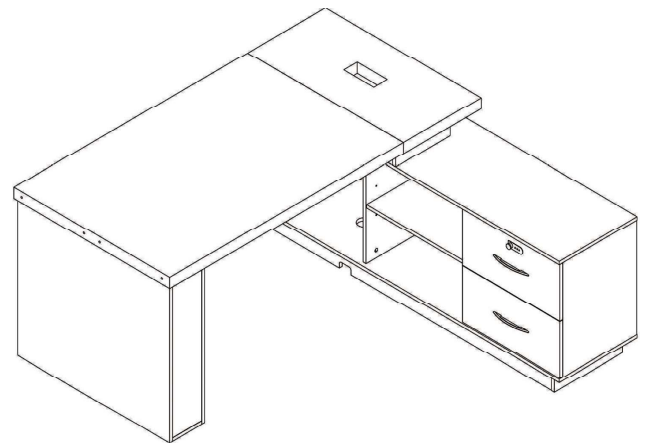


**PLEASE DO NOT RETURN TO STORE**

**User Manual**  
**ASSEMBLY INSTRUCTION**

Right corner from inside

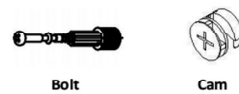
78.7L\*62.9W\*29.5H Inch



Please do not return this product to the retailer!  
We are able to assist you in ANY way!

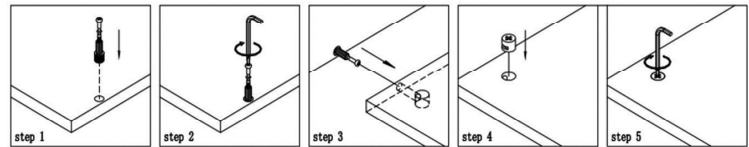
If you find that you have any trouble with assembly or  
missing or damaged parts please contact the seller.

## GENERAL ASSMEBLY DETAILS:



Bolt

Cam



## FINAL NOTE:

Please read on for important information regarding your furniture.

1. Dust frequently with a clean damp, lint-free cloth.
2. Do not place hot objects on any furniture surface.
3. Avoid exposing your furniture to strong sunlight
4. Do not expose your furniture to any liquids.
5. When moving furniture, do not drag it across the floor.

Cam lock fasteners are used to join two pieces boards together.

1. Using a screw driver or cordless drill, do not over tighten Bolts.
2. Use a flathead screwdriver to turn and tighten the Cam lock in a clockwise direction until the head of the pin is tightly secured.  
DO NOT USE A CORDLESS DRILL

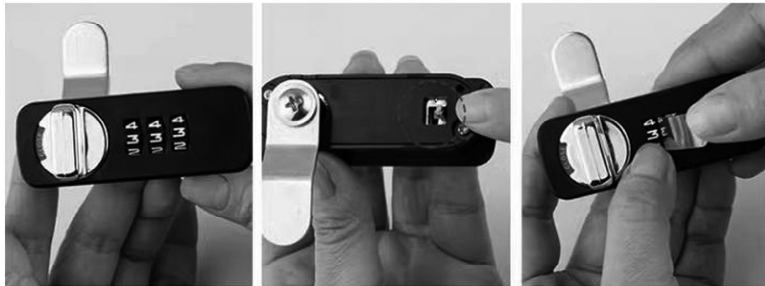
## How to set the password of the combination lock?



1. Initial password: "000"

2. With the lock open, find the lift lever from the back

3. Move the lever from point A to point B



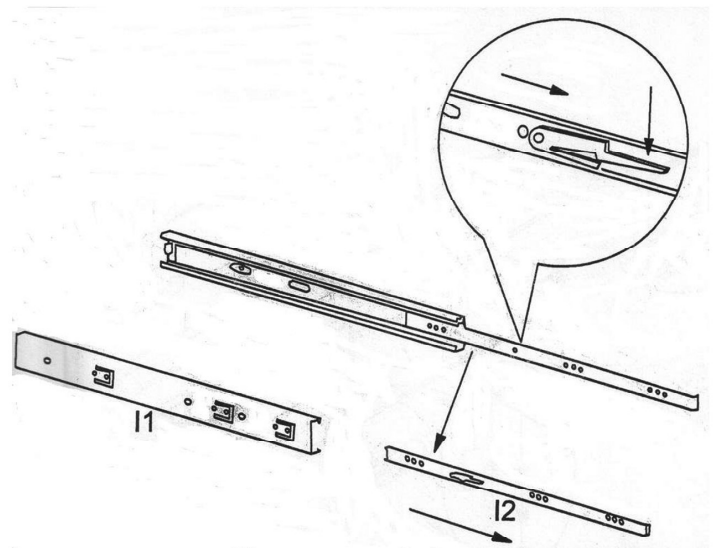
4. Set new password, for example, "333"

5. Reset the lever to the initial position

6. Complete Password Modification

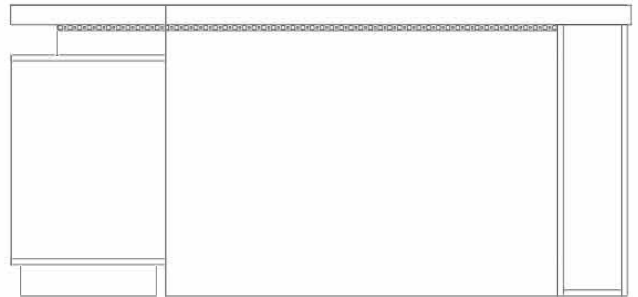
## How to separate drawer sliders?

1. The drawer slide I1 & I2 may be connected.
2. Carefully pull out slide part I2 and press the plastic clip/lever to unlock to fully separate the two parts of the runner.





The installation drawing of the light strip, please refer to the light strip usage instruction card for details, thank you!



## Parts List

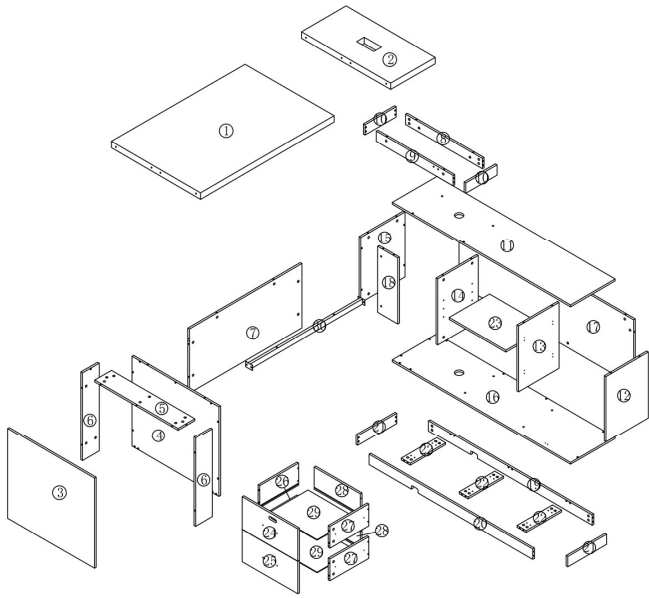
NO.	Drawing	Dimension	QTY
1		1600*800*50mm	*1
2		400*800*50mm	*1
3		700*780*15mm	*1
4		700*780*15mm	*1
5		748*150*15mm	*1
6		685*150*15mm	*2
7		1411*500*15mm	*1
8		690*80*15mm	*1
9		690*80*15mm	*1
10		280*80*15mm	*2
11		1600*400*15mm	*1
12		510*380*15mm	*1
13		510*364*15mm	*1
14		510*364*15mm	*1
15		510*398*15mm	*1
16		1600*400*15mm	*1

NO.	Drawing	Dimension	QTY
17		1568*510*15mm	*1
18		510*180*15mm	*1
19		1470*80*15mm	*1
20		1470*80*15mm	*1
21		350*80*15mm	*2
22		318*80*15mm	*3
23		508*362*15mm	*1
24		500*252*15mm	*1
25		500*252*15mm	*1
26		350*170*15mm	*2
27		350*170*15mm	*2
28		415*170*15mm	*2
29		425*344*4mm	*2
30		1411*40*60mm	*1

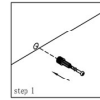
## Hardware Fitting

NO.	Drawing	QTY
A		*102
B		*102
C		*2
D		*2
E		*8
F		*28
G		*2
H		*4

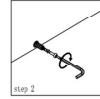
NO.	Drawing	QTY
I		*2
J		*4
K		*1
L		*1
M		*4
N		*12
O		*2
P		*4
Q		*16



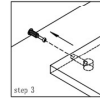
## Cam Coupling Using Methods



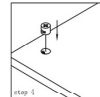
**Step1.**  
Connect the cam coupling A as directed in the assembly instructions using hand.



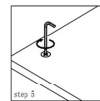
**Step2.**  
Screw the cam coupling A as directed in the assembly instructions.



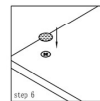
**Step3.**  
Push the cam coupling A into the entry hole.



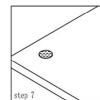
**Step4.**  
Insert the cam coupling B as shown in the instructions.



**Step5.**  
Turn the cam coupling B clockwise with a screwdriver

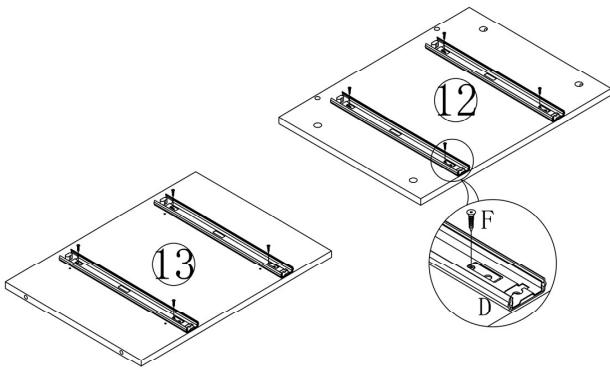


**Step6.**  
Put on Beautycam.



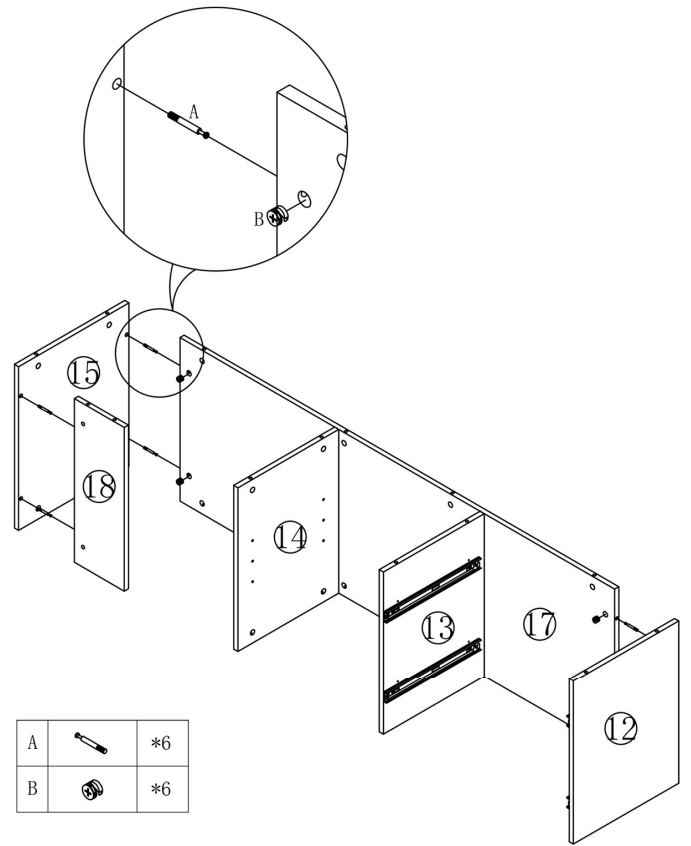
**Step7.**  
Finished.

You should feel a click when the camlock is locked in place.  
The joint is now secure.



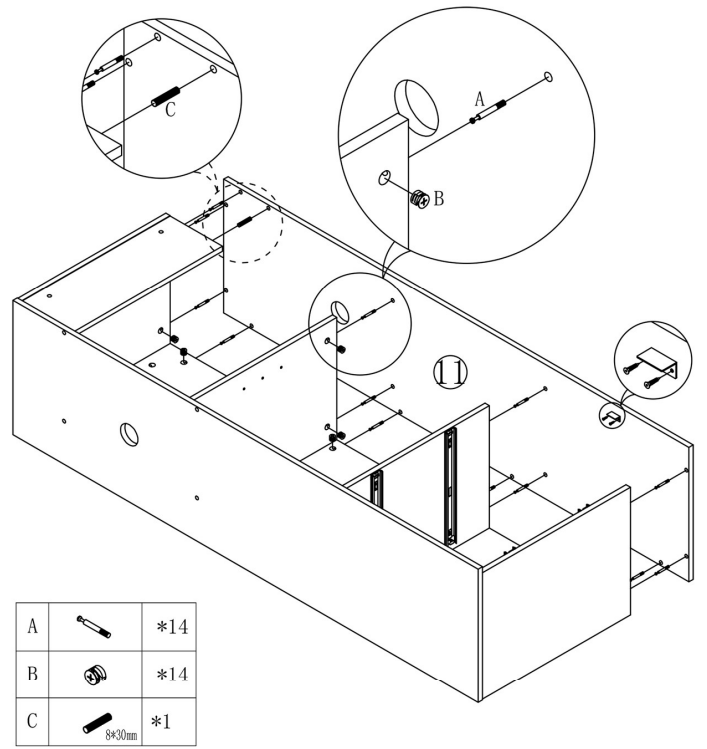
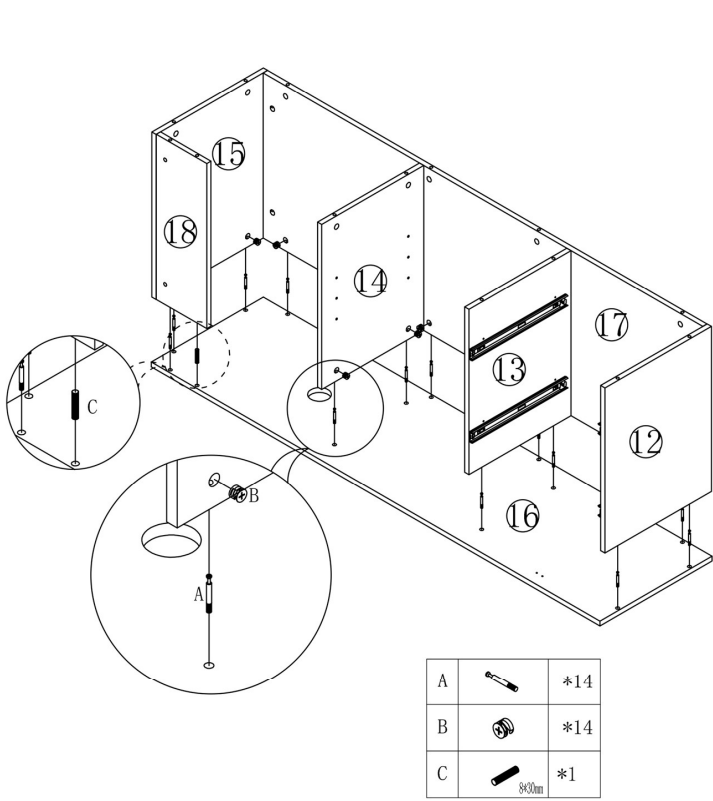
D		*2
F	3.5*14mm	*8

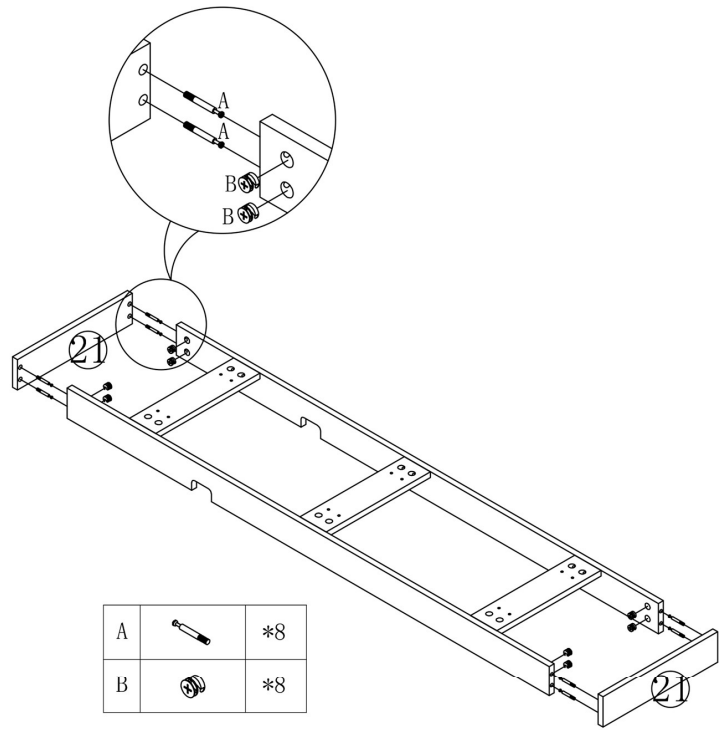
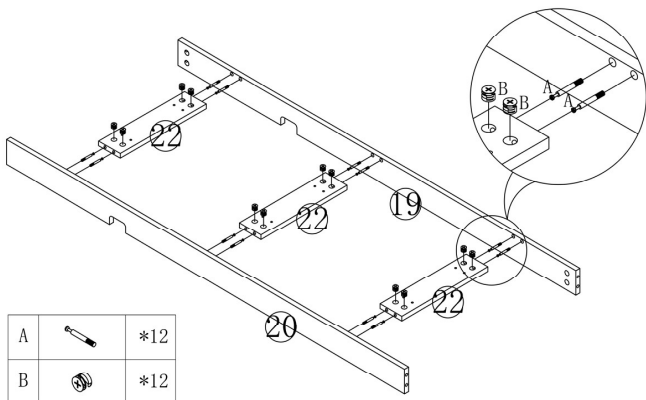
— 5 —

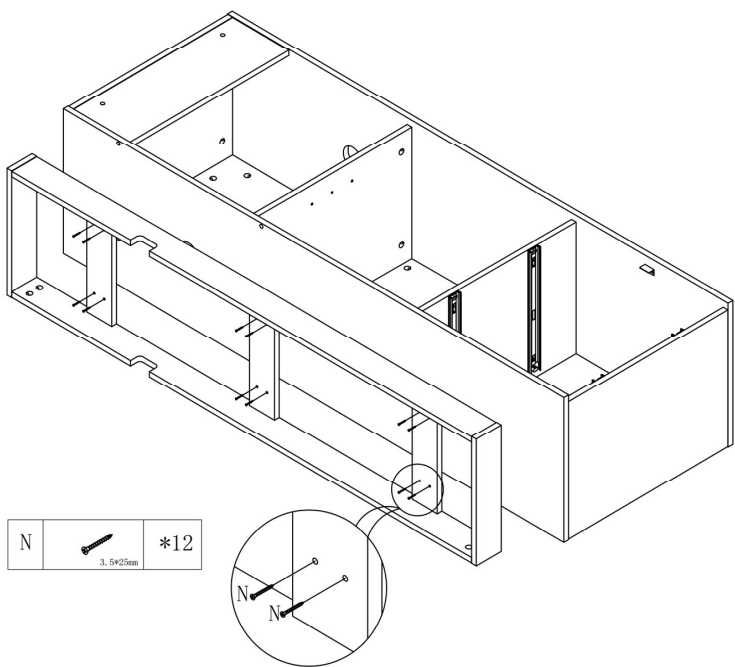


A		*6
B		*6

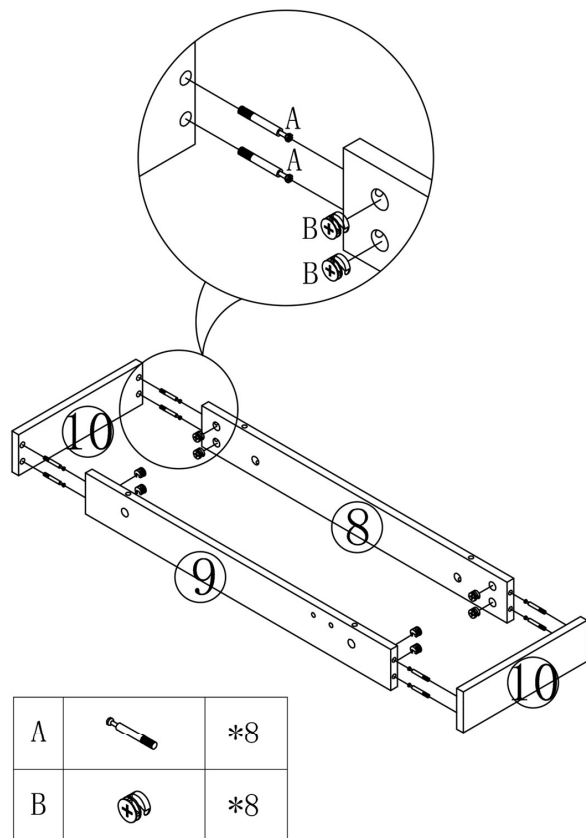
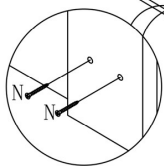
— 6 —





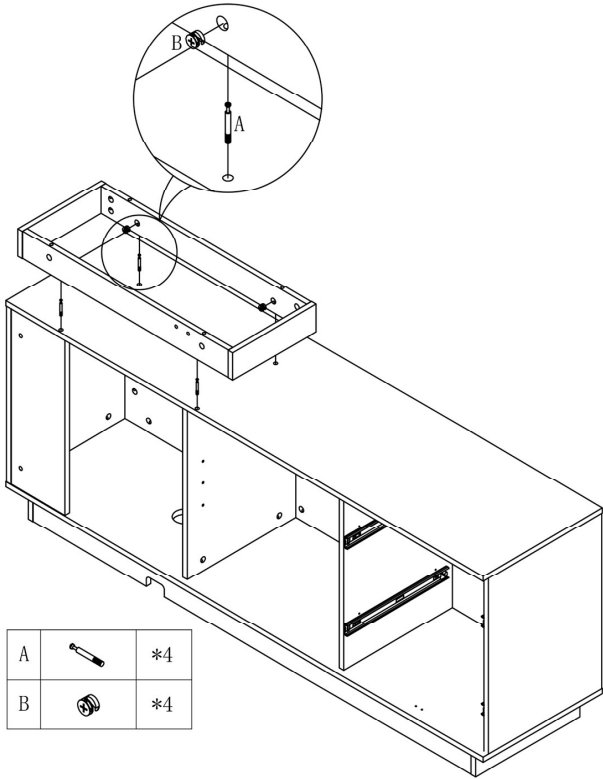




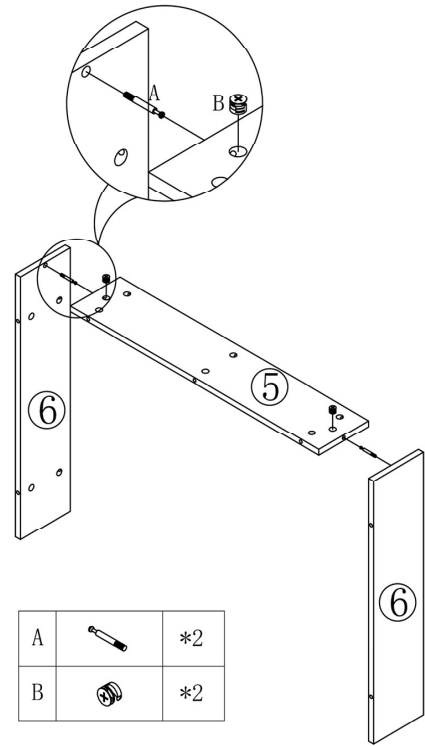
N		*12
	3.5x25mm	



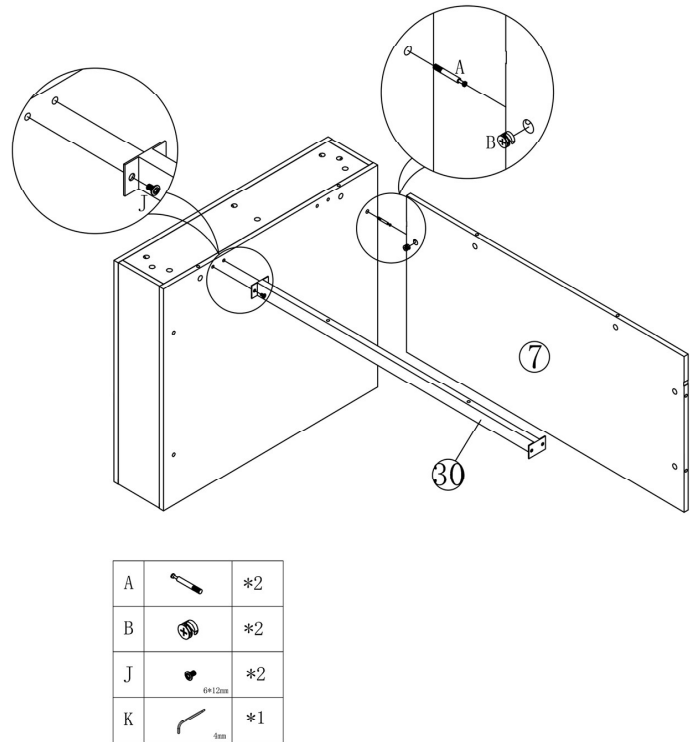
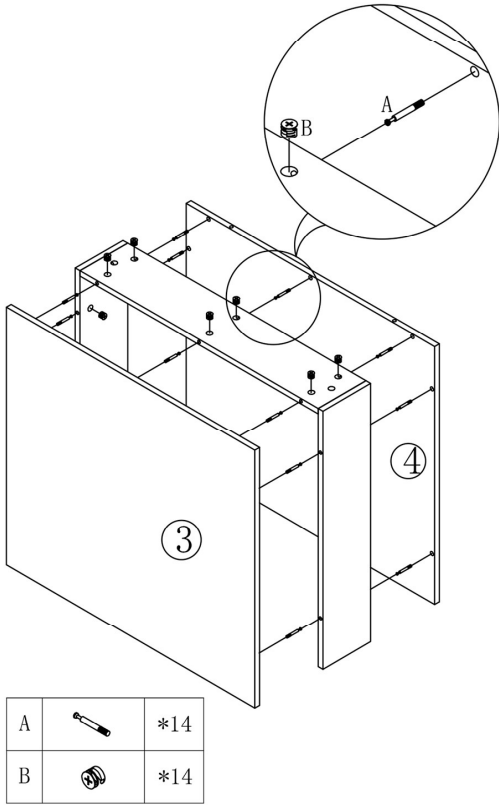
A		*8
B		*8

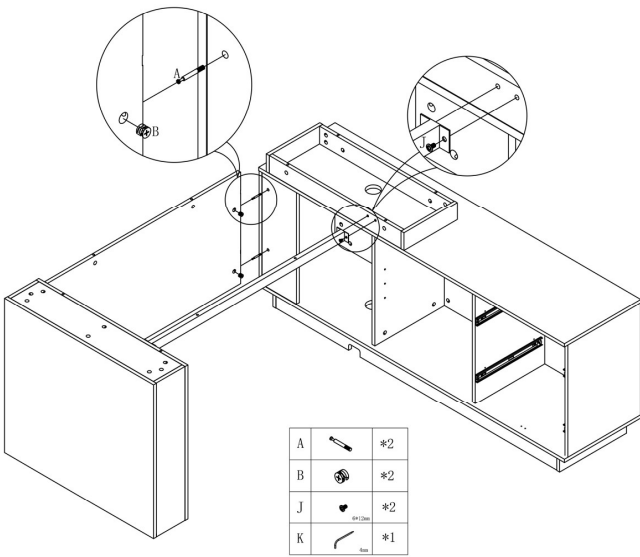


— 13 —

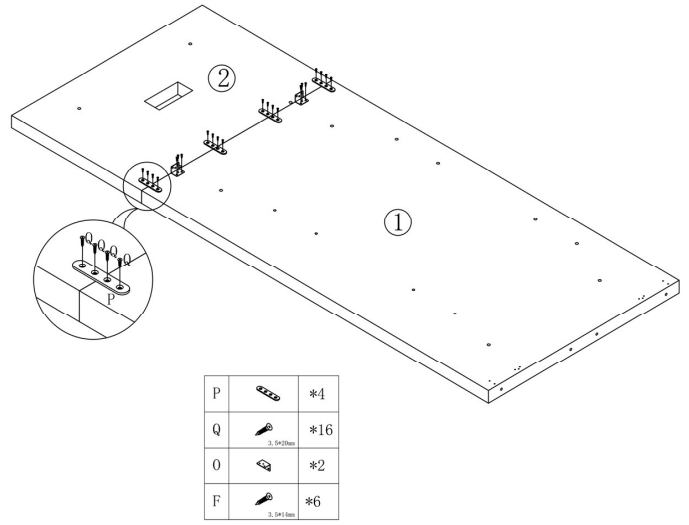


— 14 —

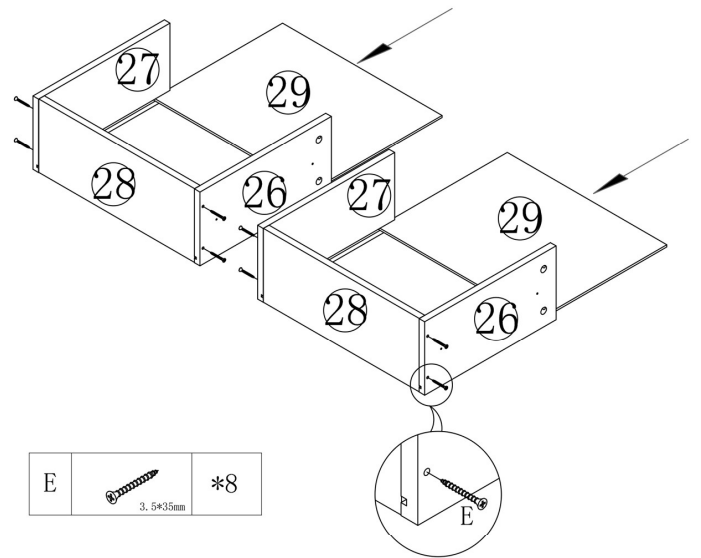
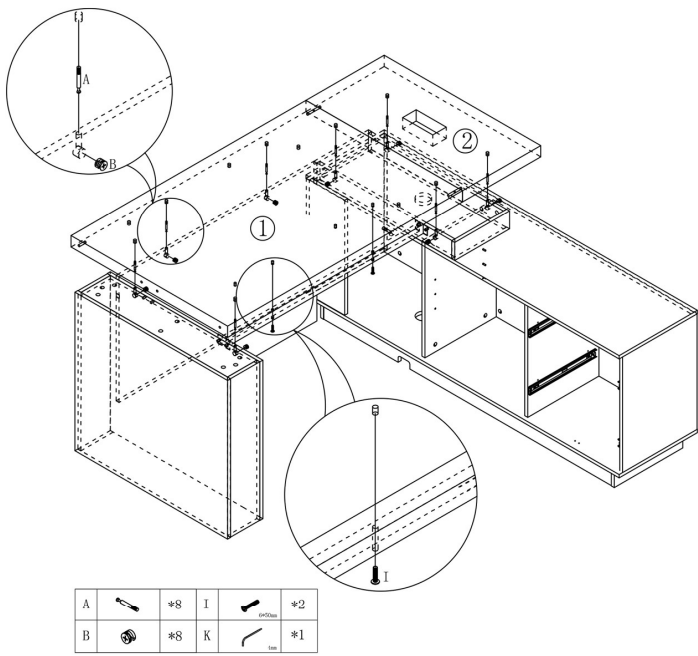


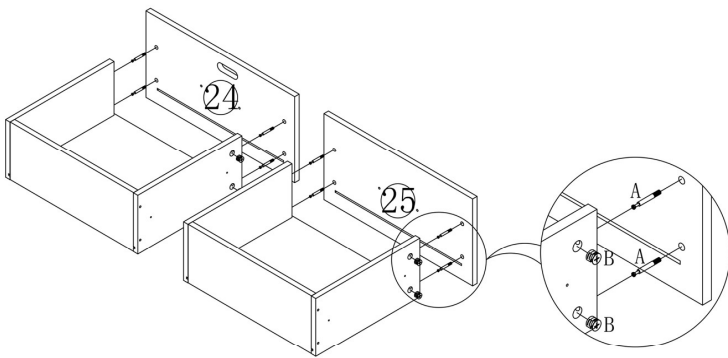




A		*2
B		*2
J		*2
K		*1

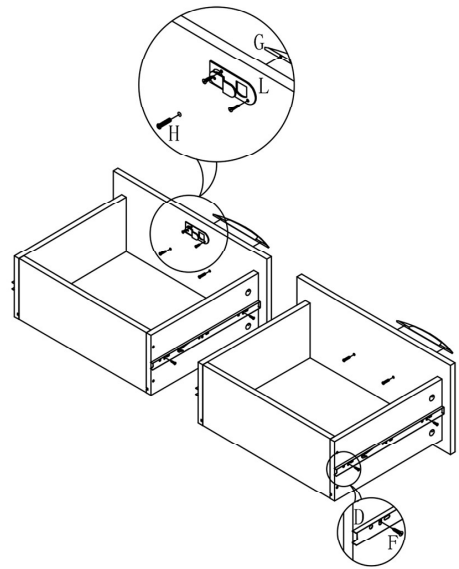







P		*4
Q		*16
O		*2
F		*6

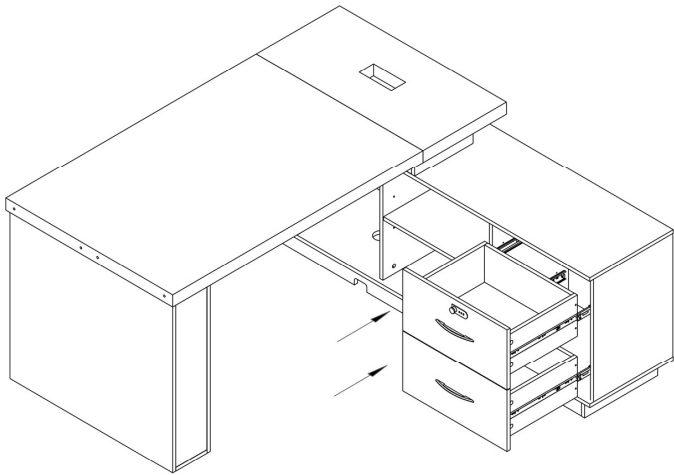




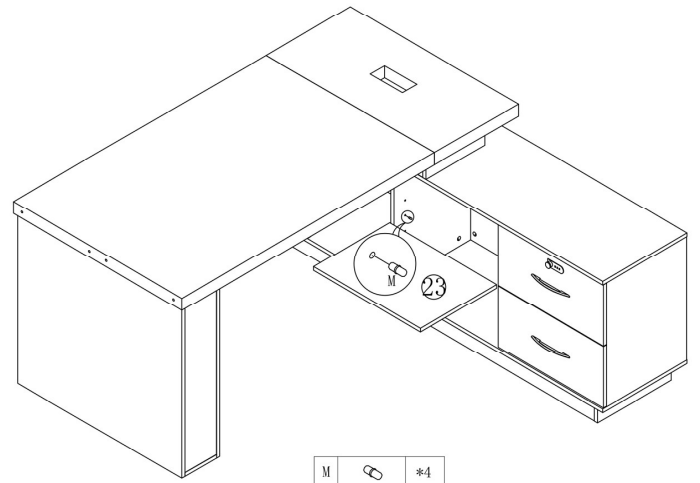
A		*8
B		*8



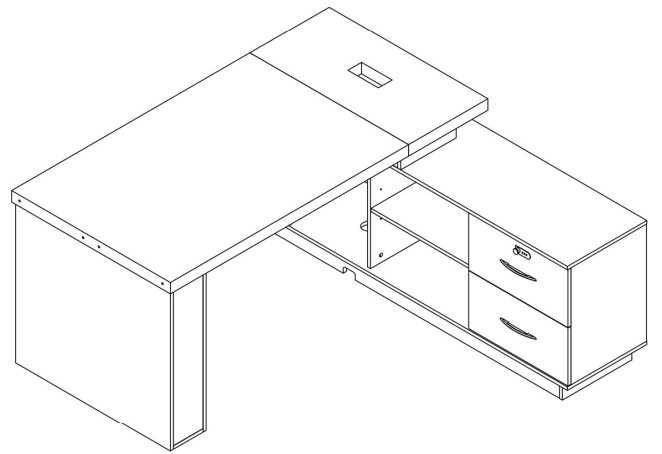
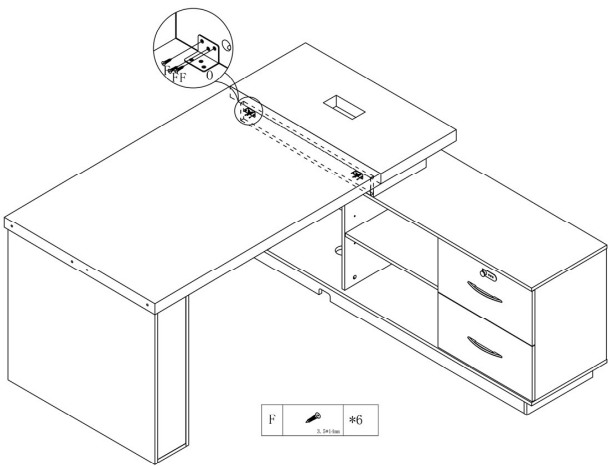
D		*2	G		*2
F	 3.5*1.6mm	*8	H	 4*18mm	*4
			L		*1



— 23 —



— 24 —

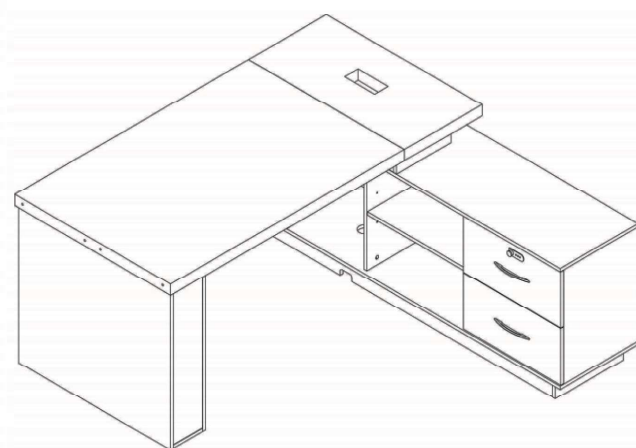


**PLEASE DO NOT RETURN TO STORE**

**User Manual  
ASSEMBLY INSTRUCTION**

Right corner from inside

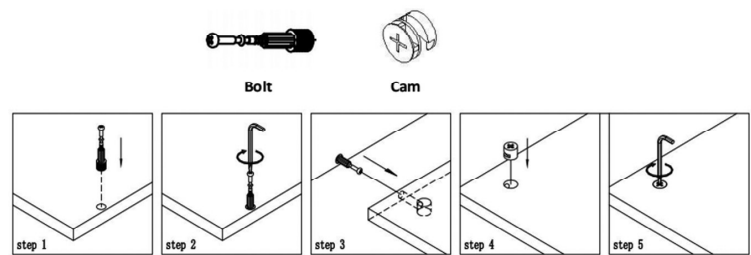
86.6L\*70.8W\*29.5H Inch



Please do not return this product to the retailer!  
We are able to assist you in ANY way!

If you find that you have any trouble with assembly or  
missing or damaged parts please contact the seller.

## GENERAL ASSMEBLY DETAILS:



## FINAL NOTE:

Please read on for important information regarding your furniture.

1. Dust frequently with a clean damp, lint-free cloth.
2. Do not place hot objects on any furniture surface.
3. Avoid exposing your furniture to strong sunlight
4. Do not expose your furniture to any liquids.
5. When moving furniture, do not drag it across the floor.

Cam lock fasteners are used to join two pieces boards together.

1. Using a screw driver or cordless drill, do not over tighten Bolts.
2. Use a flathead screwdriver to turn and tighten the Cam lock in a clockwise direction until the head of the pin is tightly secured.  
DO NOT USE A CORDLESS DRILL

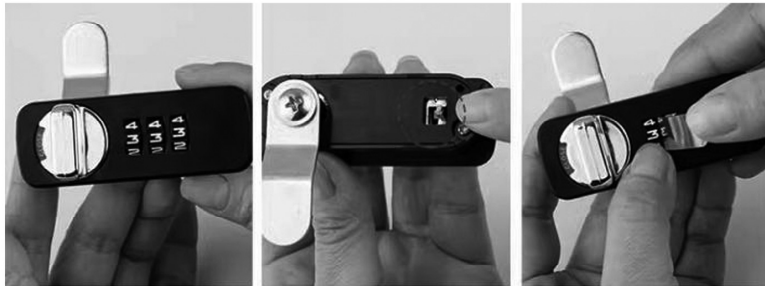
## How to set the password of the combination lock?



1. Initial password: "000"

2. With the lock open, find the lift lever from the back

3. Move the lever from point A to point B



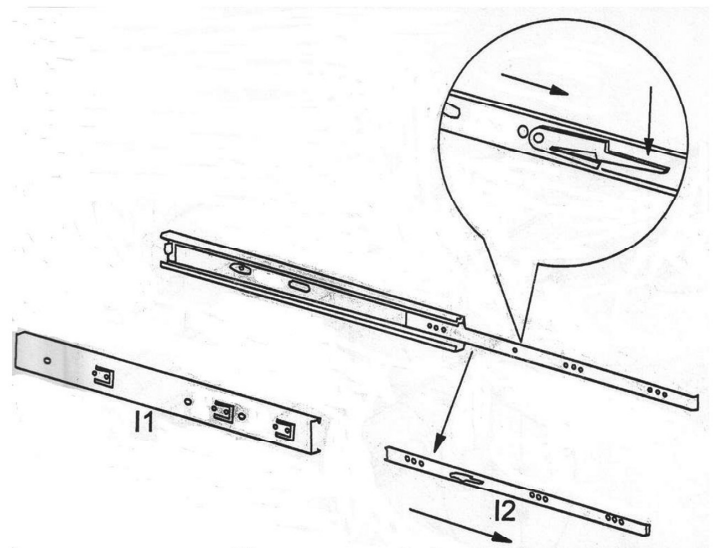
4. Set new password, for example, "333"

5. Reset the lever to the initial position

6. Complete Password Modification

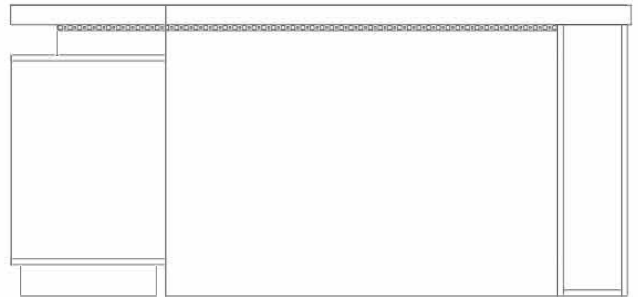
## How to separate drawer sliders?

1. The drawer slide I1 & I2 may be connected.
2. Carefully pull out slide part I2 and press the plastic clip/lever to unlock to fully separate the two parts of the runner.





The installation drawing of the light strip, please refer to the light strip usage instruction card for details, thank you!



## Parts List

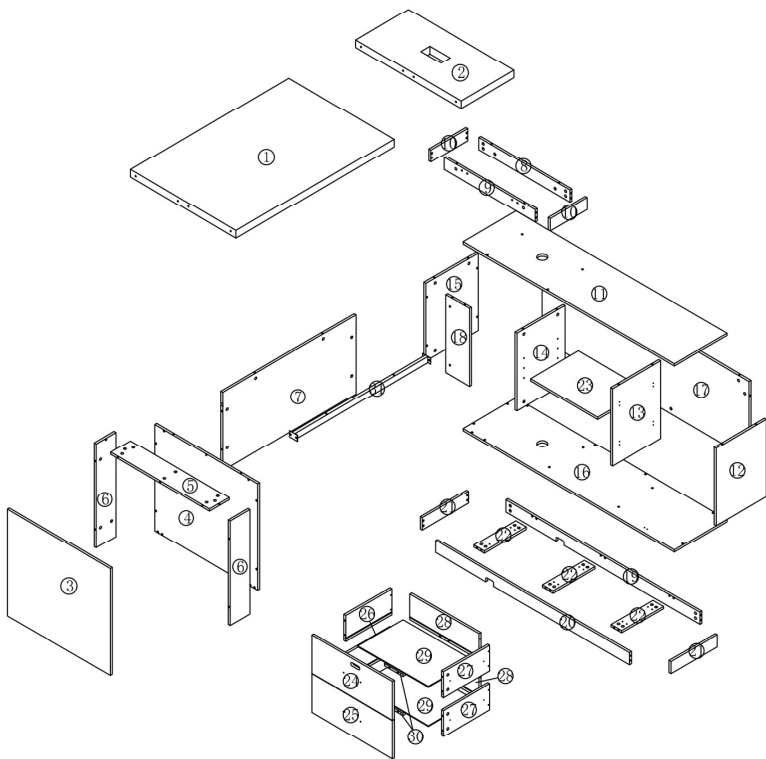
NO.	Drawing	Dimension	QTY
1		1600*880*50mm	*1
2		600*880*50mm	*1
3		700*860*15mm	*1
4		700*860*15mm	*1
5		826*150*15mm	*1
6		685*150*15mm	*2
7		1411*500*15mm	*1
8		690*80*15mm	*1
9		690*80*15mm	*1
10		480*80*15mm	*2
11		1800*600*15mm	*1
12		510*580*15mm	*1
13		510*564*15mm	*1
14		510*564*15mm	*1
15		510*598*15mm	*1
16		1800*600*15mm	*1

NO.	Drawing	Dimension	QTY
17		1768*510*15mm	*1
18		510*180*15mm	*1
19		1670*80*15mm	*1
20		1670*80*15mm	*1
21		500*80*15mm	*2
22		468*80*15mm	*3
23		598*562*15mm	*1
24		610*252*15mm	*1
25		610*252*15mm	*1
26		350*170*15mm	*2
27		350*170*15mm	*2
28		525*170*15mm	*2
29		535*344*4mm	*2
30		334*140*15mm	*2
31		1411*40*60mm	*1

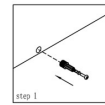
## Hardware Fitting

NO.	Drawing	QTY
A		*110
B		*110
C		*2
D		*2
E		*8
F		*28
G		*2
H		*4

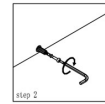
NO.	Drawing	QTY
I		*2
J		*4
K		*1
L		*1
M		*4
N		*12
O		*2
P		*4
Q		*16



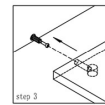
## Cam Coupling Using Methods



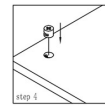
**Step1.**  
Connect the cam coupling A as directed in the assembly instructions using hand.



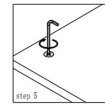
**Step2.**  
Screw the cam coupling A as directed in the assembly instructions.



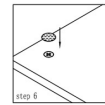
**Step3.**  
Push the cam coupling A into the entry hole.



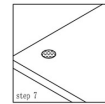
**Step4.**  
Insert the cam coupling B as shown in the instructions.



**Step5.**  
Turn the cam coupling B clockwise with a screwdriver

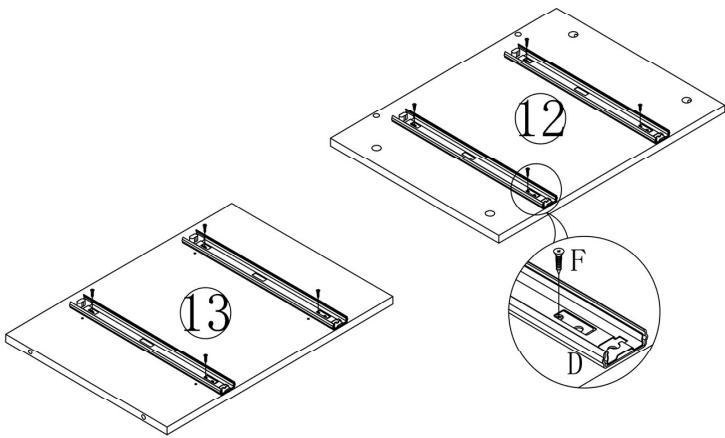


**Step6.**  
Put on Beautycam.

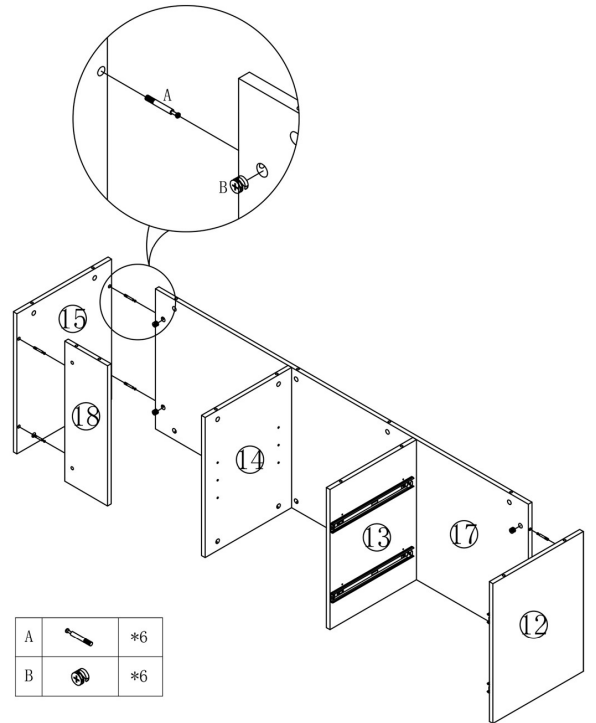


**Step7.**  
Finished.

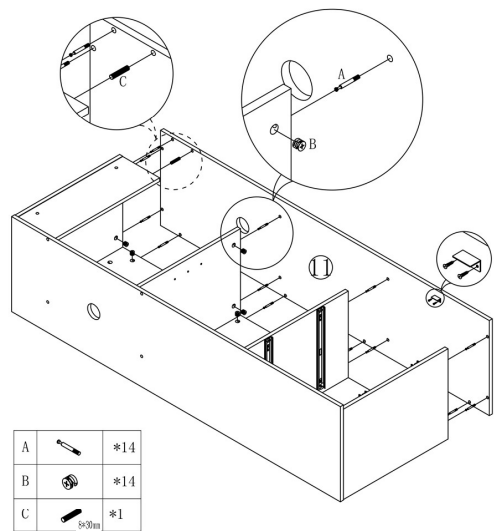
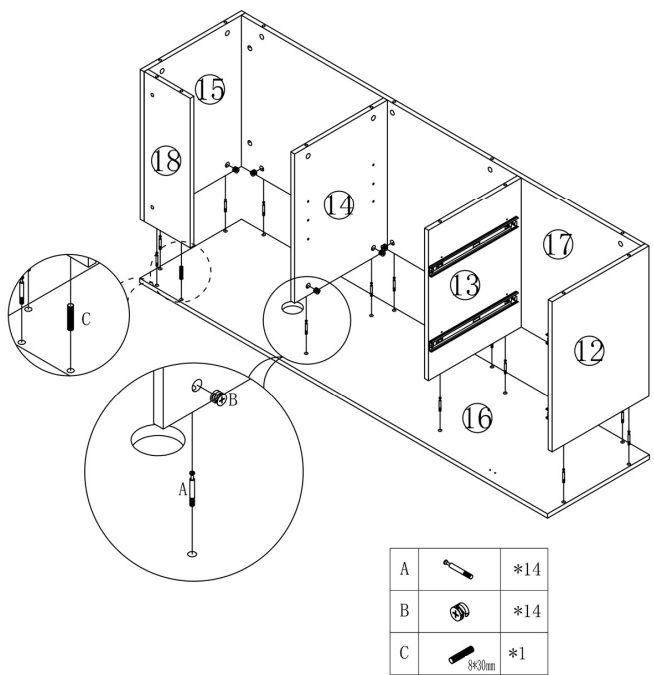
You should feel a click when the camlock is locked in place.  
The joint is now secure.

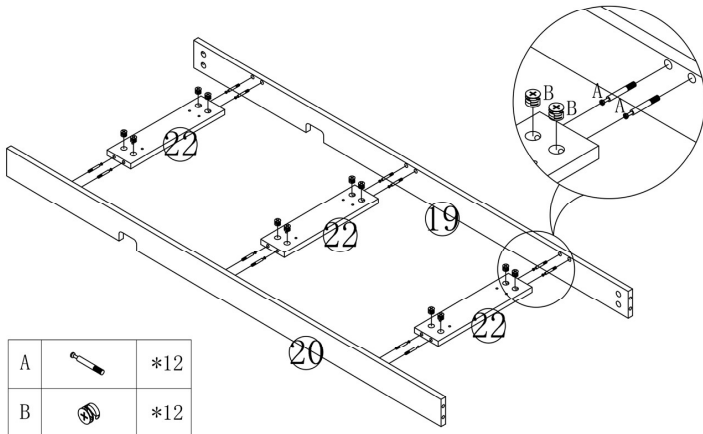




D		*2
F		*8

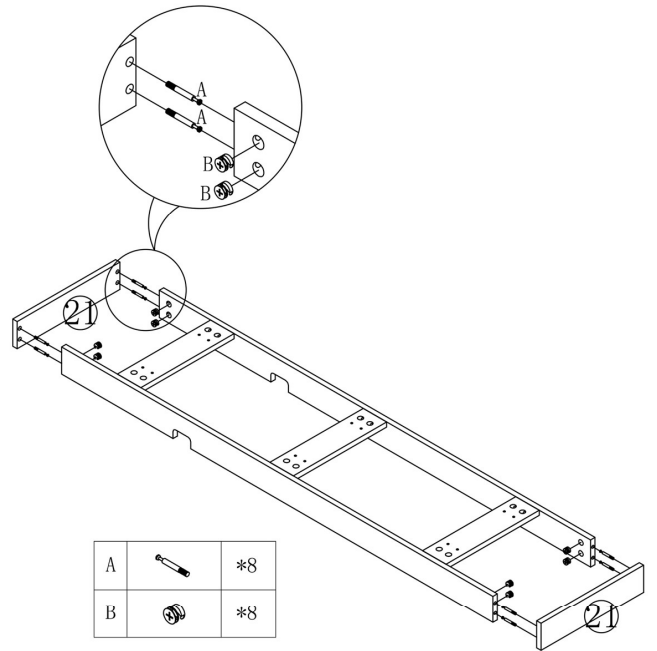




A		*6
B		*6

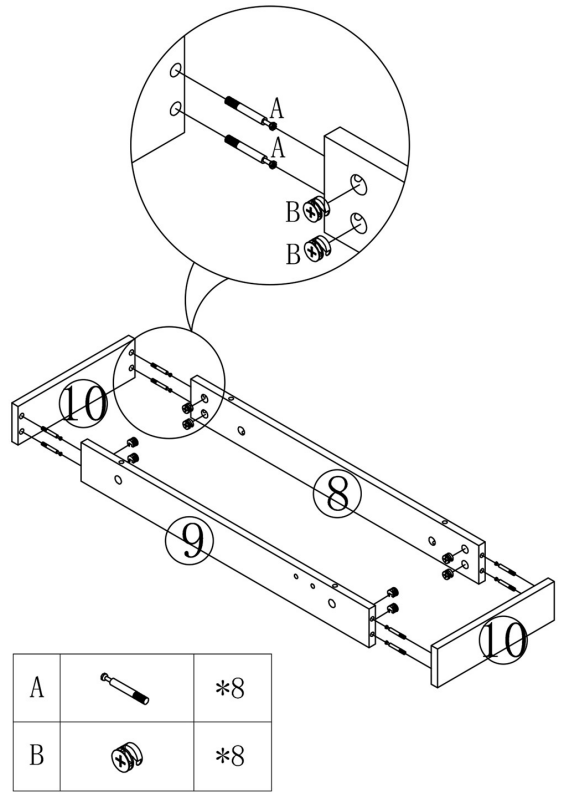
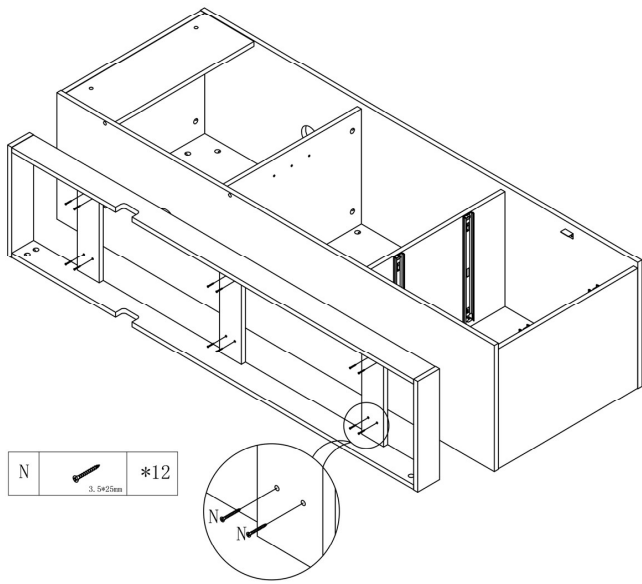


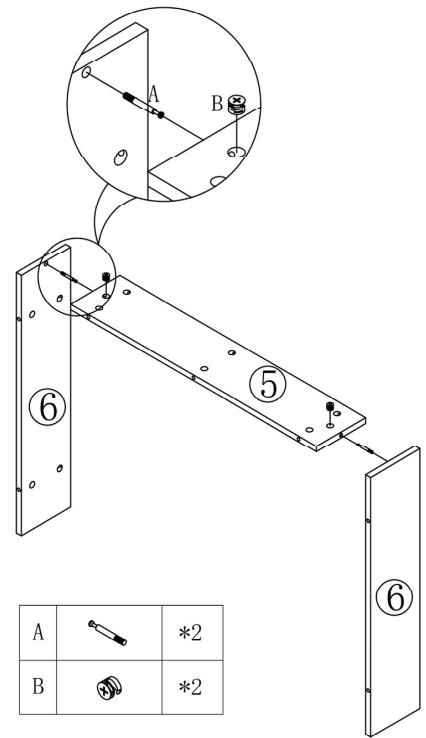
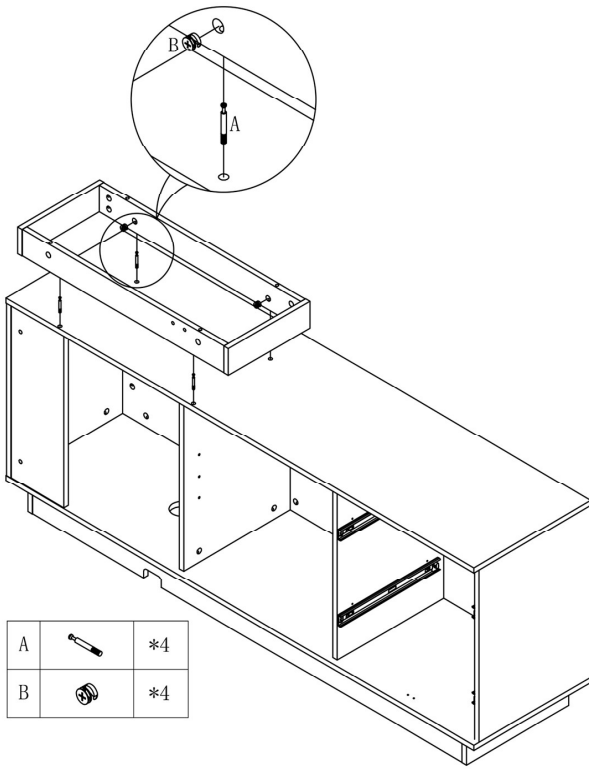


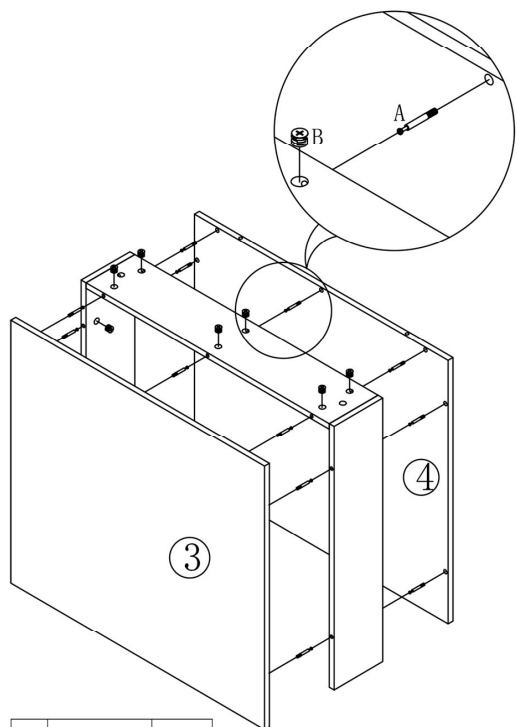
A		*12
B		*12





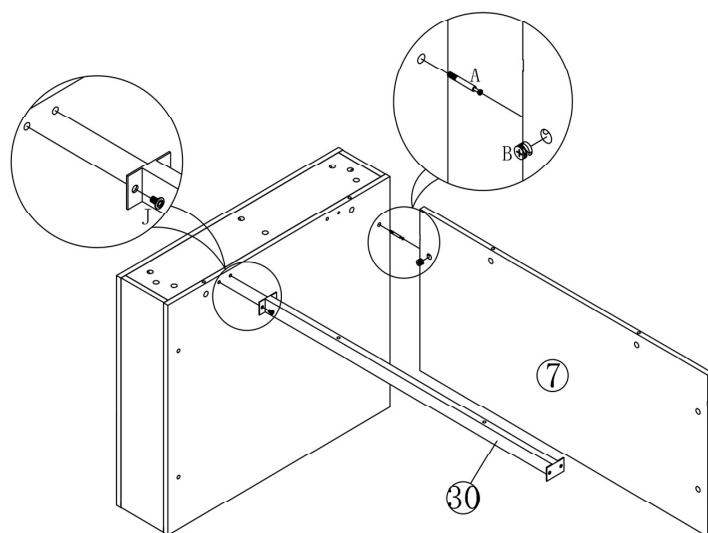
A		*8
B		*8







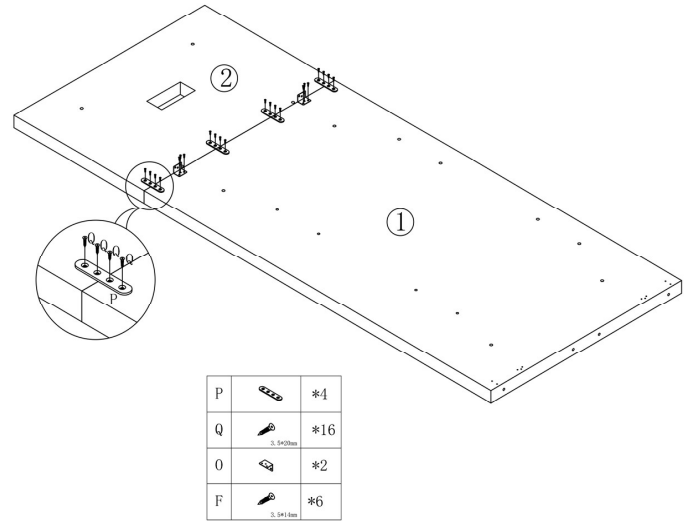
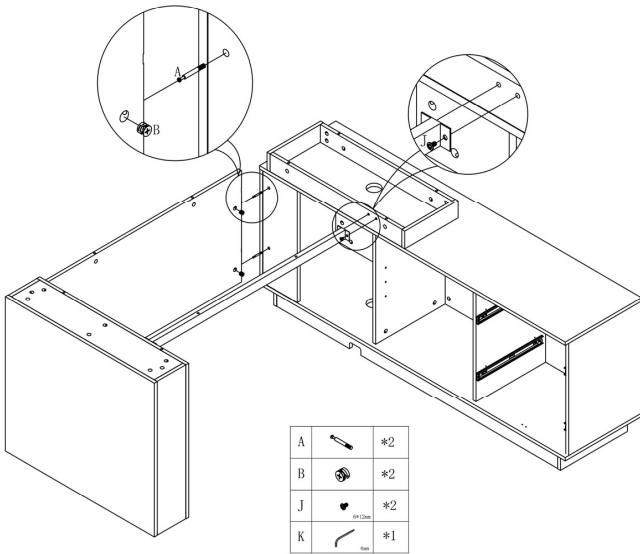


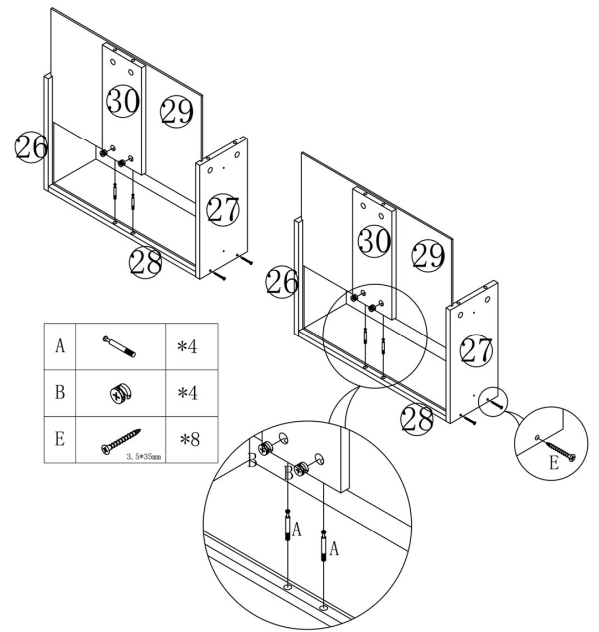
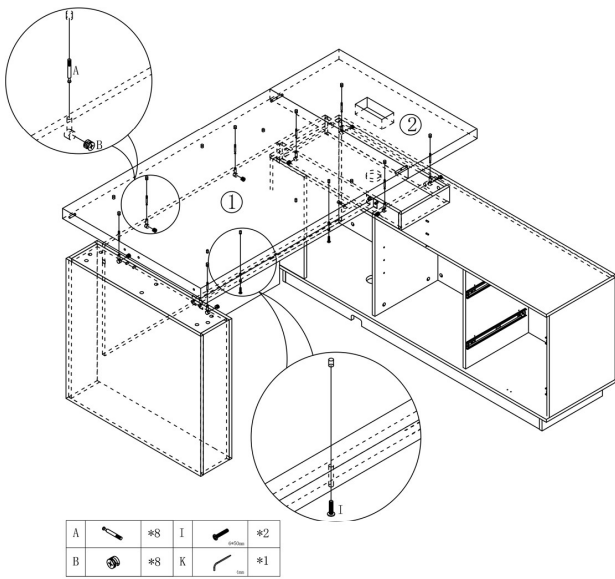


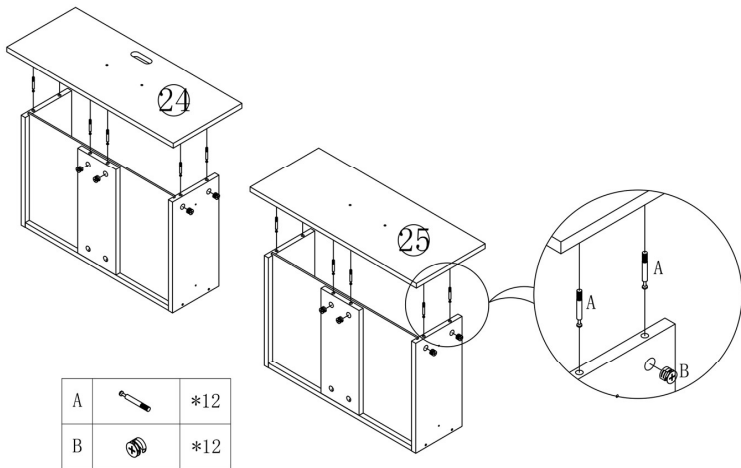
A		*14
B		*14





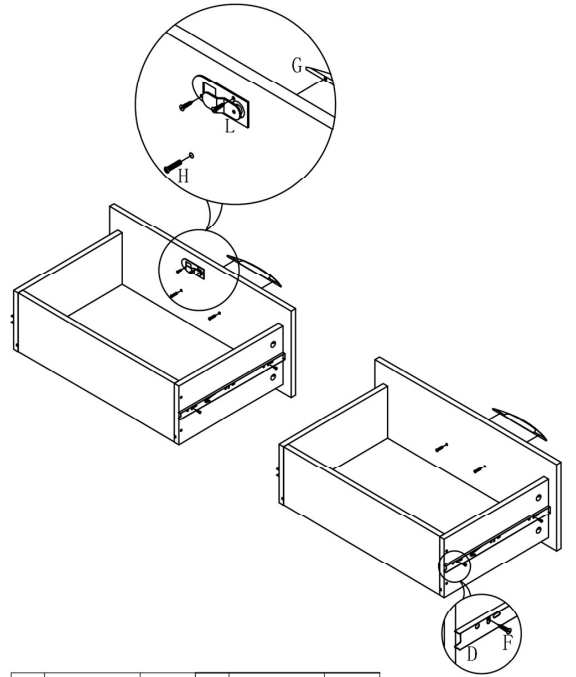
A		*2
B		*2
J	 $\phi=12mm$	*2
K	 4mm	*1








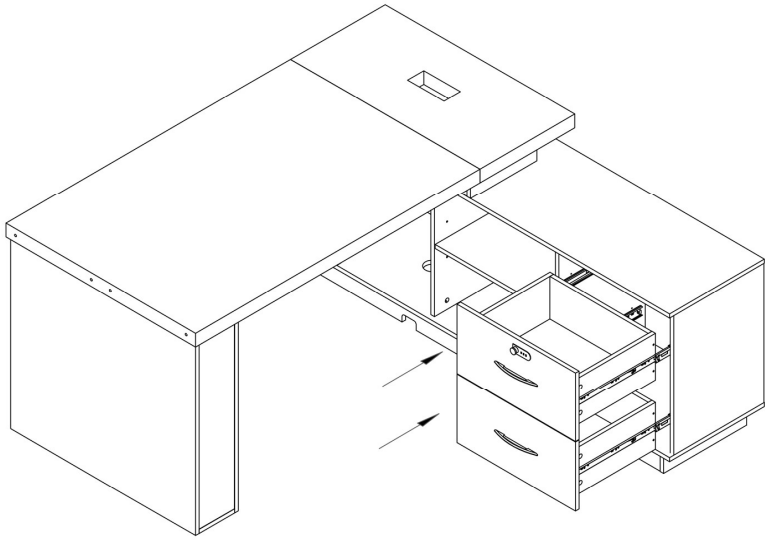




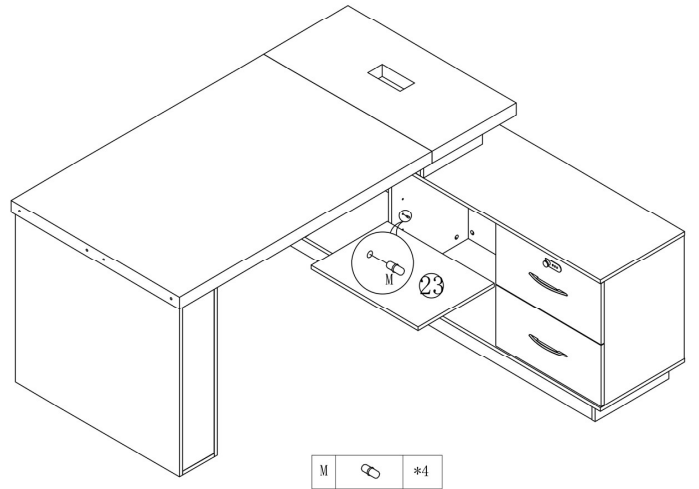
A		*12
B		*12



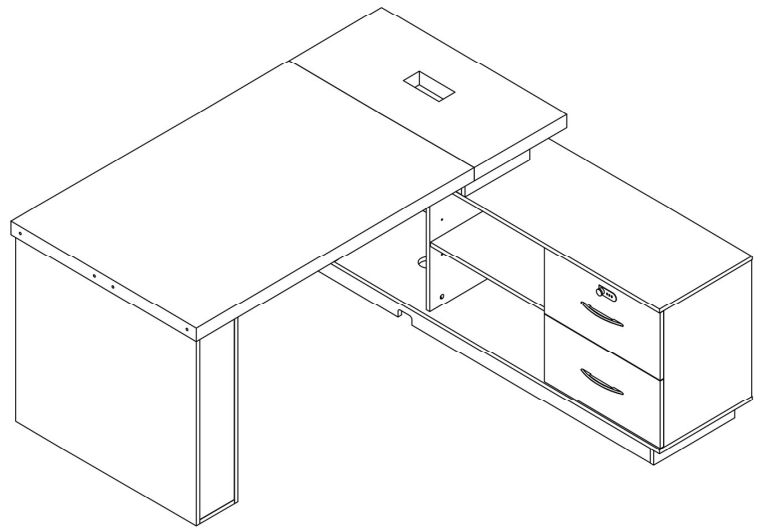
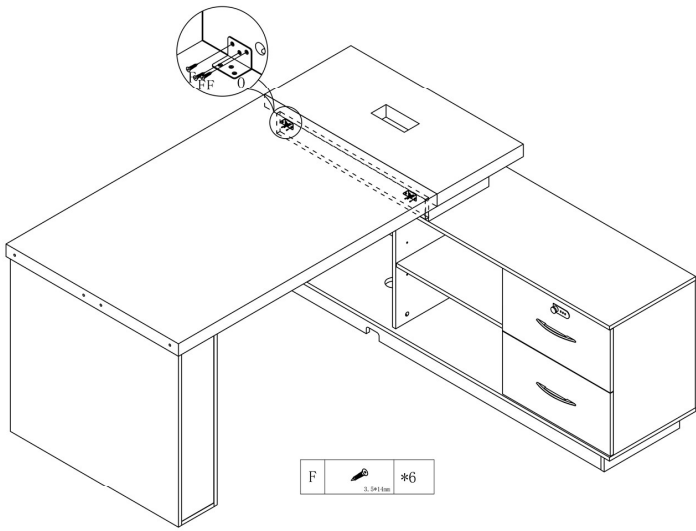
D		*2	G		*2
F		*8	H		*4
	3,5x14mm		L		*1
				4x18mm	



— 23 —



— 24 —

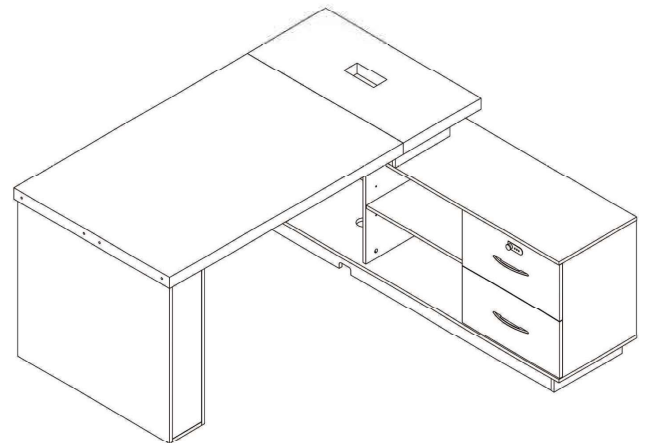


**PLEASE DO NOT RETURN TO STORE**

**User Manual**  
**ASSEMBLY INSTRUCTION**

Right corner from inside

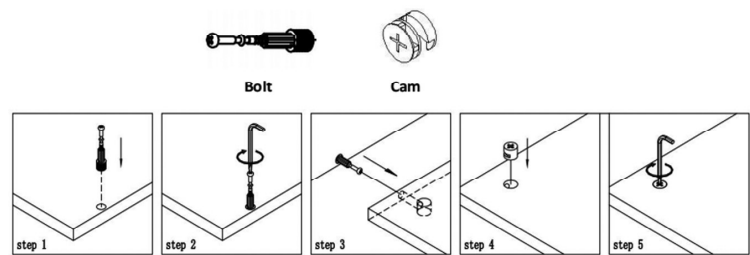
94.4L\*70.8W\*29.5H Inch



Please do not return this product to the retailer!  
We are able to assist you in ANY way!

If you find that you have any trouble with assembly or  
missing or damaged parts please contact the seller.

## GENERAL ASSMEBLY DETAILS:



## FINAL NOTE:

Please read on for important information regarding your furniture.

1. Dust frequently with a clean damp, lint-free cloth.
2. Do not place hot objects on any furniture surface.
3. Avoid exposing your furniture to strong sunlight
4. Do not expose your furniture to any liquids.
5. When moving furniture, do not drag it across the floor.

Cam lock fasteners are used to join two pieces boards together.

1. Using a screw driver or cordless drill, do not over tighten Bolts.
2. Use a flathead screwdriver to turn and tighten the Cam lock in a clockwise direction until the head of the pin is tightly secured.  
DO NOT USE A CORDLESS DRILL

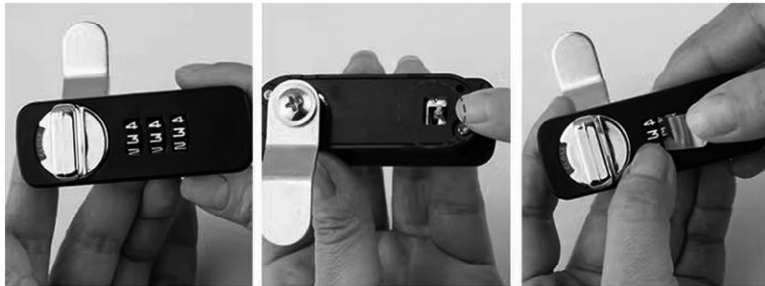
## How to set the password of the combination lock?



1. Initial password: "000"

2. With the lock open, find the lift lever from the back

3. Move the lever from point A to point B



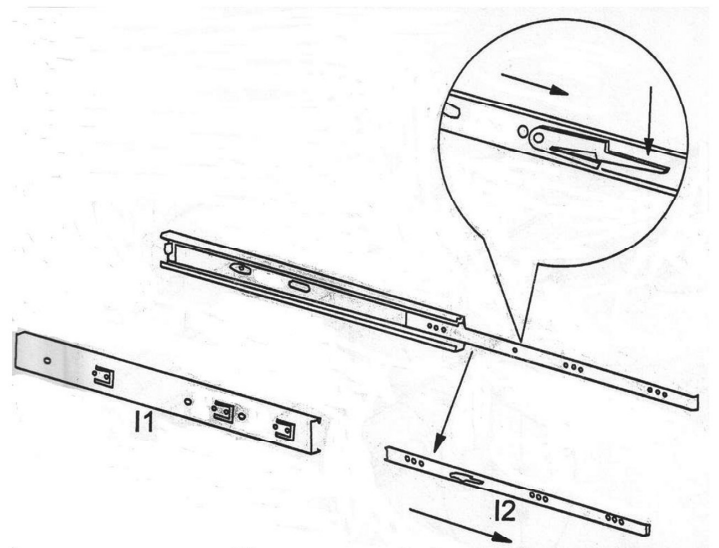
4. Set new password, for example, "333"

5. Reset the lever to the initial position

6. Complete Password Modification

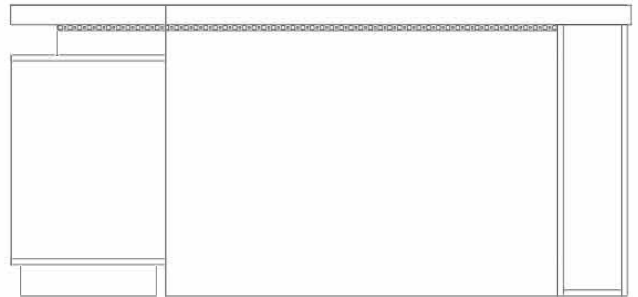
## How to separate drawer sliders?

1. The drawer slide I1 & I2 may be connected.
2. Carefully pull out slide part I2 and press the plastic clip/lever to unlock to fully separate the two parts of the runner.





The installation drawing of the light strip, please refer to the light strip usage instruction card for details, thank you!



# Parts List

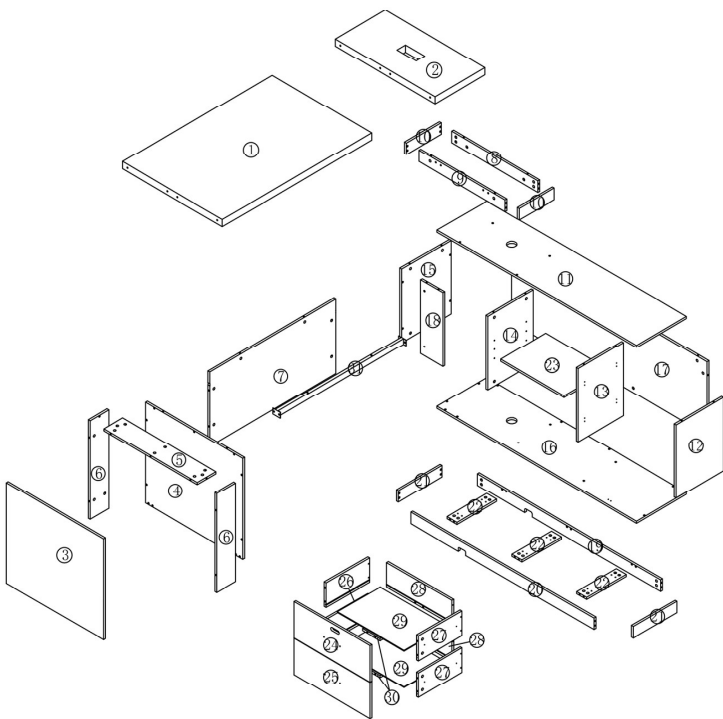
NO.	Drawing	Dimension	QTY
1		1800*880*50mm	*1
2		600*880*50mm	*1
3		700*860*15mm	*1
4		700*860*15mm	*1
5		826*150*15mm	*1
6		685*150*15mm	*2
7		1611*500*15mm	*1
8		690*80*15mm	*1
9		690*80*15mm	*1
10		480*80*15mm	*2
11		1800*600*15mm	*1
12		510*580*15mm	*1
13		510*564*15mm	*1
14		510*564*15mm	*1
15		510*598*15mm	*1
16		1800*600*15mm	*1

NO.	Drawing	Dimension	QTY
17		1768*510*15mm	*1
18		510*180*15mm	*1
19		1670*80*15mm	*1
20		1670*80*15mm	*1
21		500*80*15mm	*2
22		468*80*15mm	*3
23		598*562*15mm	*1
24		610*252*15mm	*1
25		610*252*15mm	*1
26		350*170*15mm	*2
27		350*170*15mm	*2
28		525*170*15mm	*2
29		535*344*4mm	*2
30		334*140*15mm	*2
31		1611*40*60mm	*1

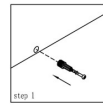
# Hardware Fitting

NO.	Drawing	QTY
A		*110
B		*110
C		*2
D		*2
E		*8
F		*28
G		*2
H		*4

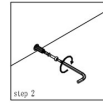
NO.	Drawing	QTY
I		*2
J		*4
K		*1
L		*1
M		*4
N		*12
O		*2
P		*4
Q		*16



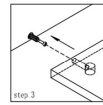
## Cam Coupling Using Methods



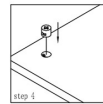
**Step1.**  
Connect the cam coupling A as directed in the assembly instructions using hand.



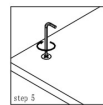
**Step2.**  
Screw the cam coupling A as directed in the assembly instructions.



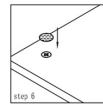
**Step3.**  
Push the cam coupling A into the entry hole.



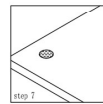
**Step4.**  
Insert the cam coupling B as shown in the instructions.



**Step5.**  
Turn the cam coupling B clockwise with a screwdriver

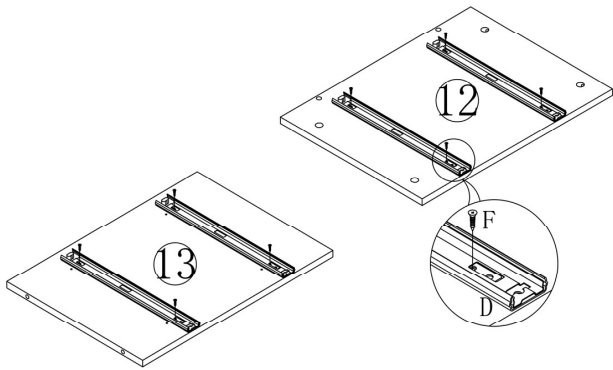


**Step6.**  
Put on Beautycam.

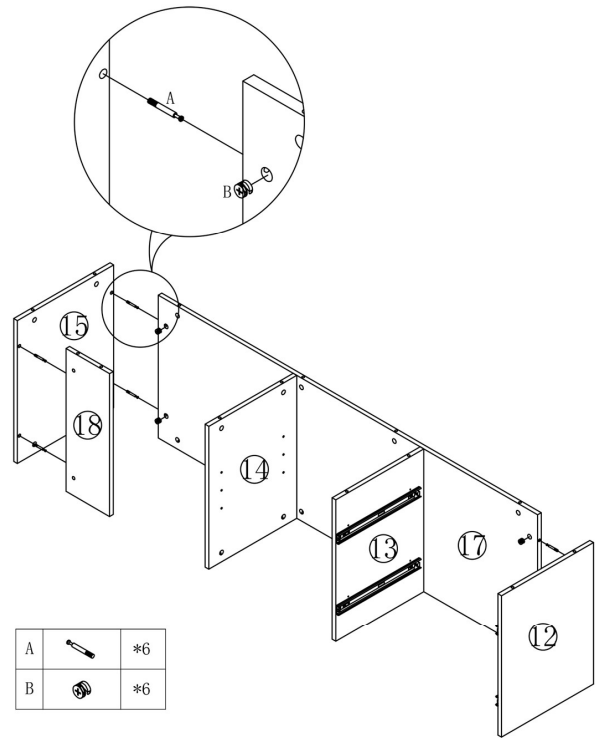


**Step7.**  
Finished.

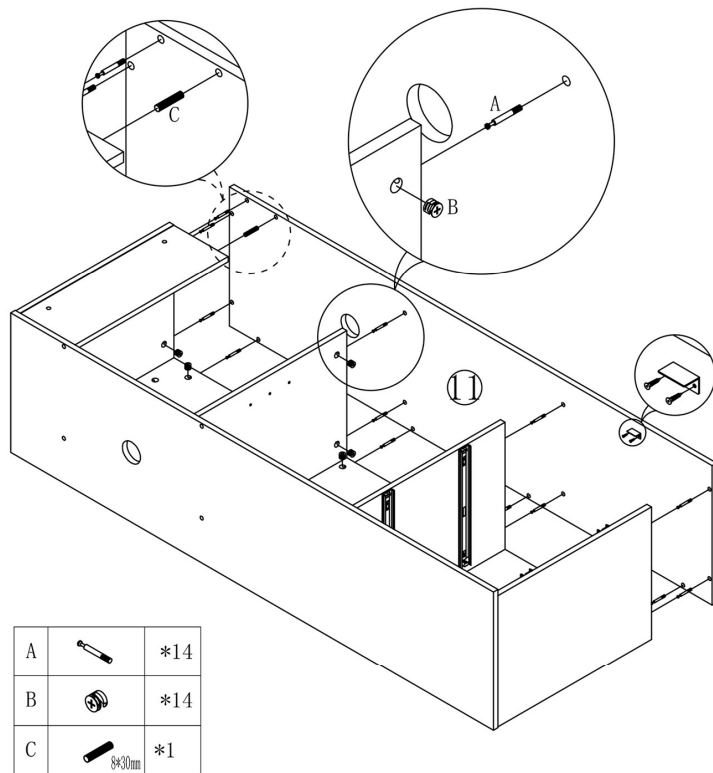
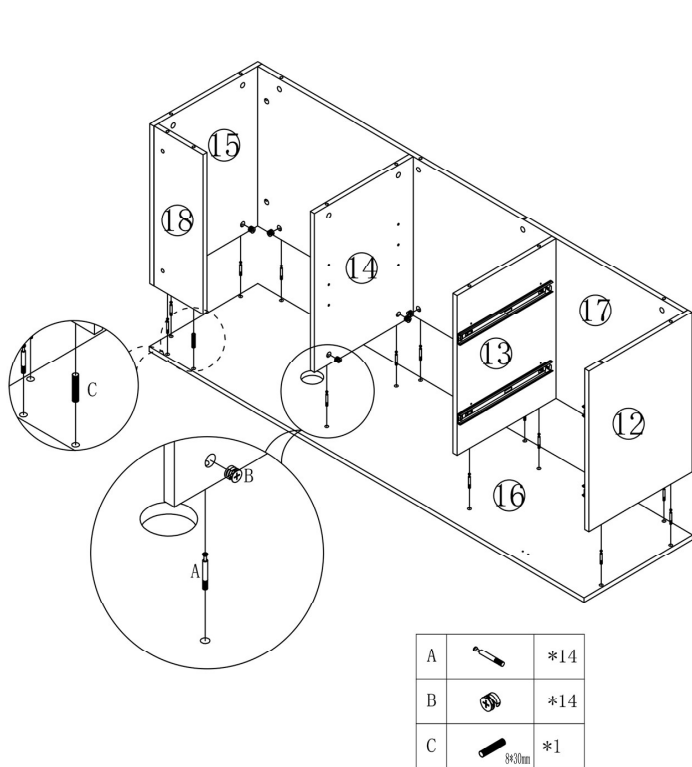
You should feel a click when the camlock is locked in place.  
The joint is now secure.

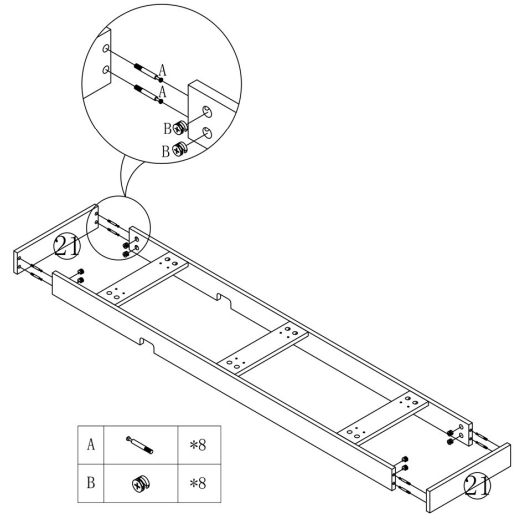
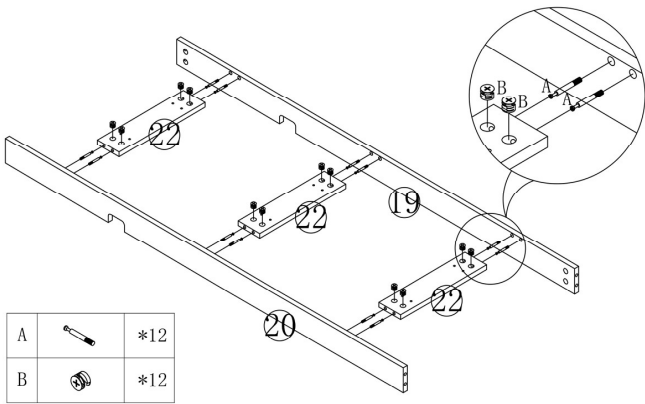


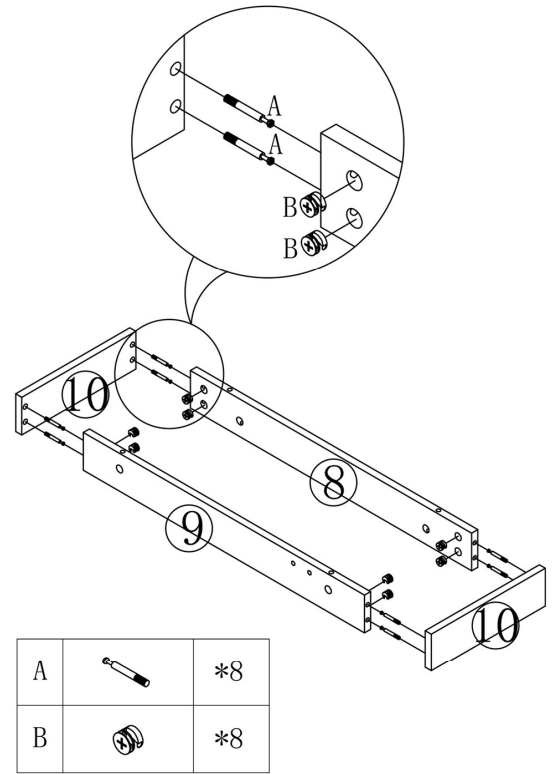
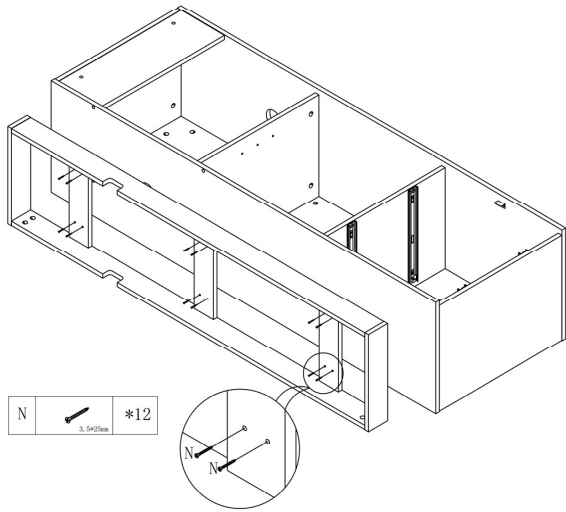
D		*2
F		*8

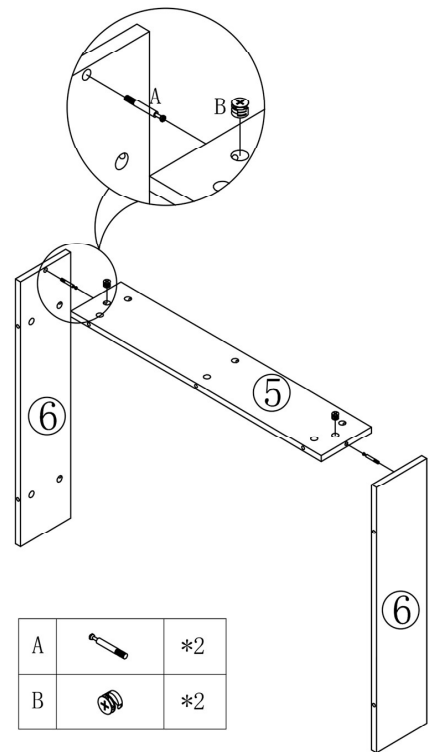
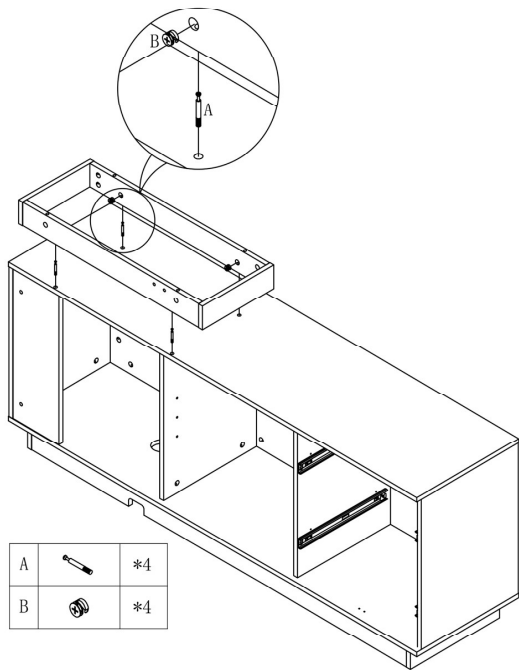


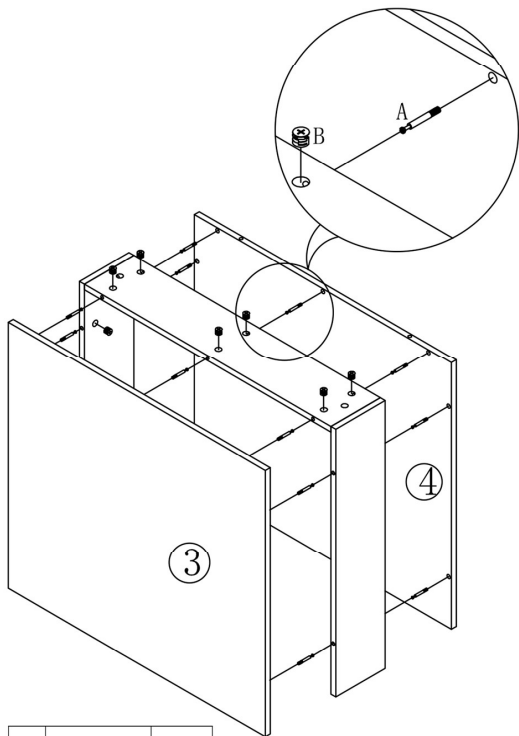
A		*6
B		*6





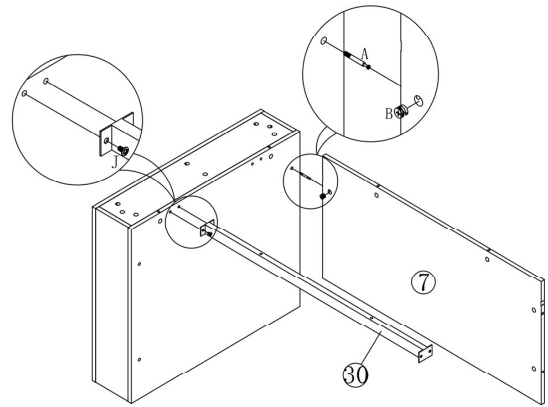








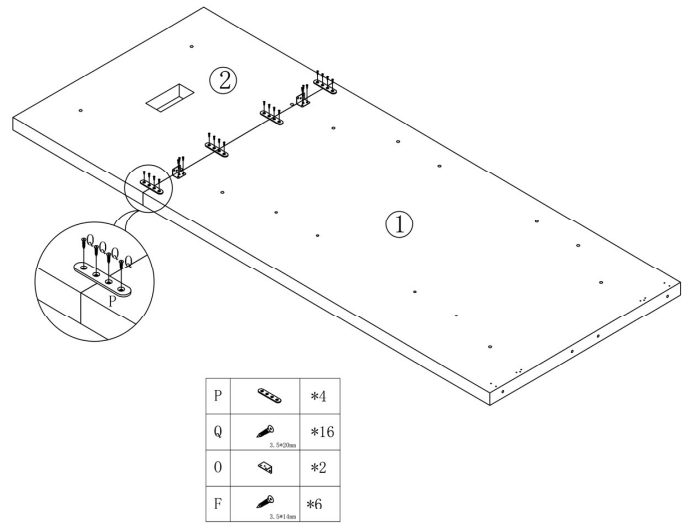
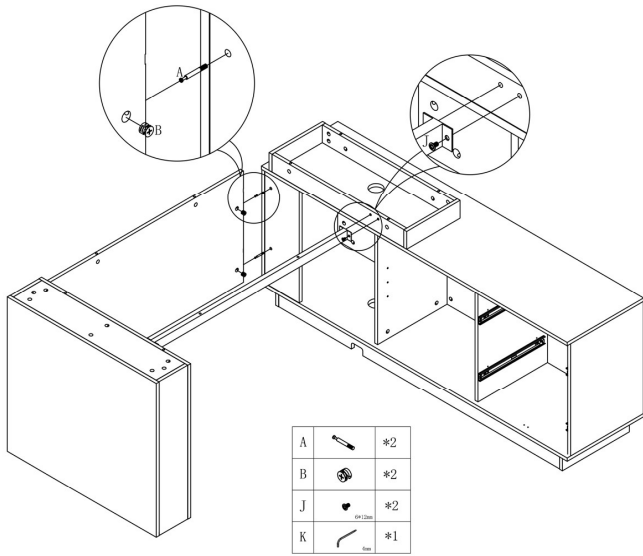


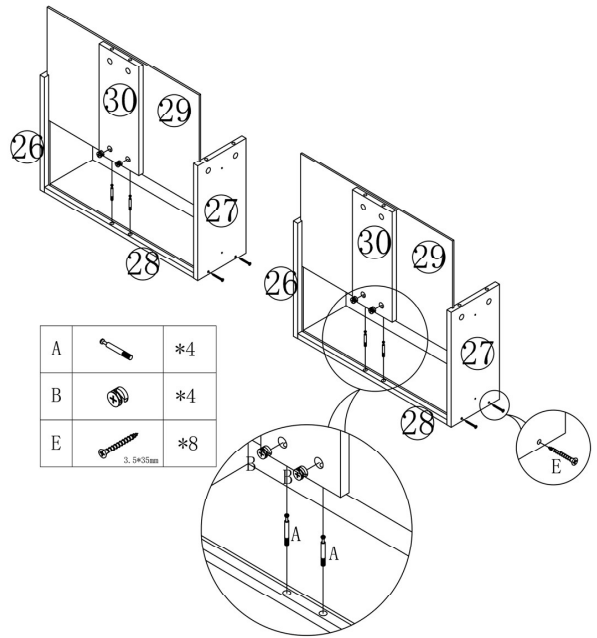
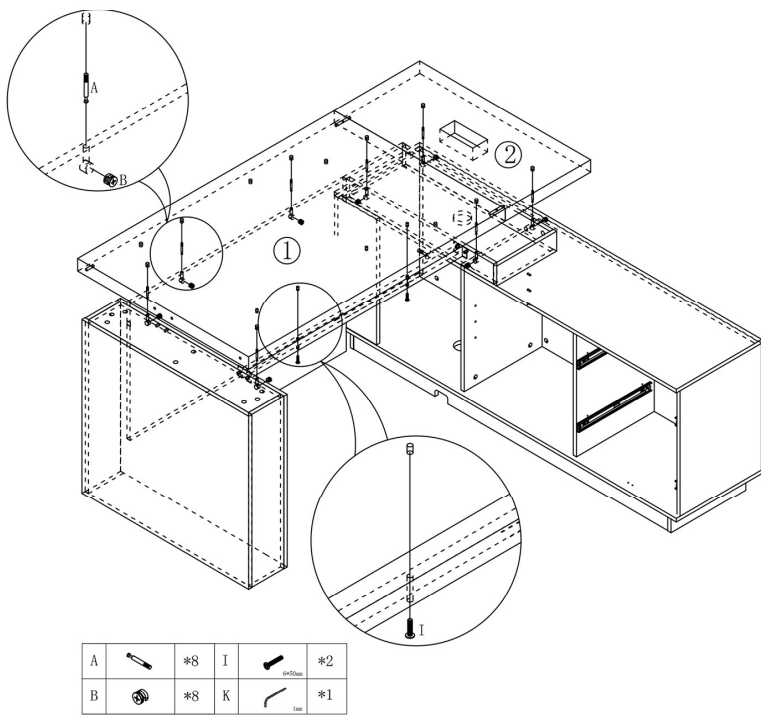


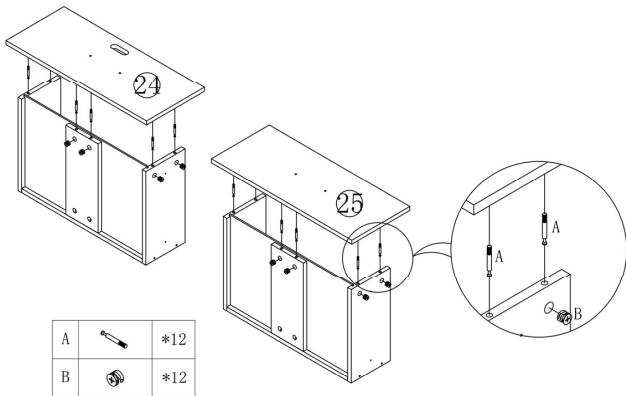
A		*14
B		*14



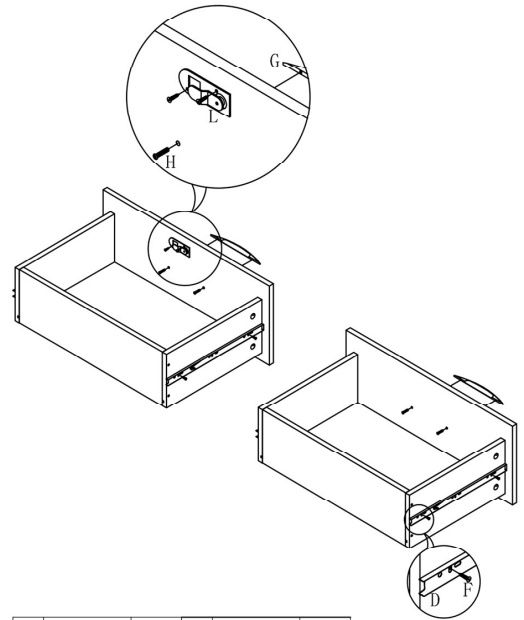
A		*2
B		*2
J		*2
K		*1



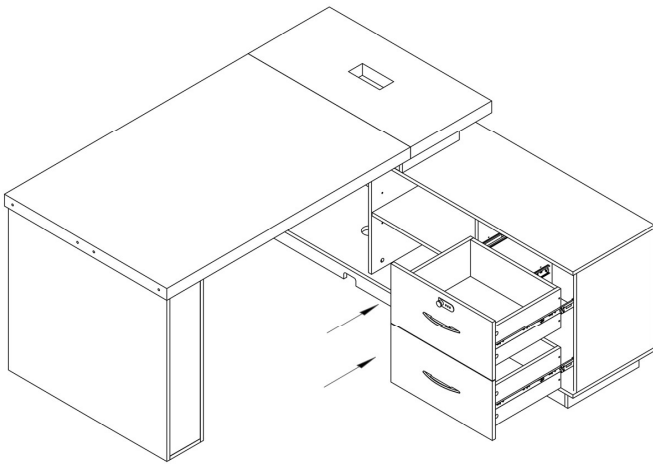




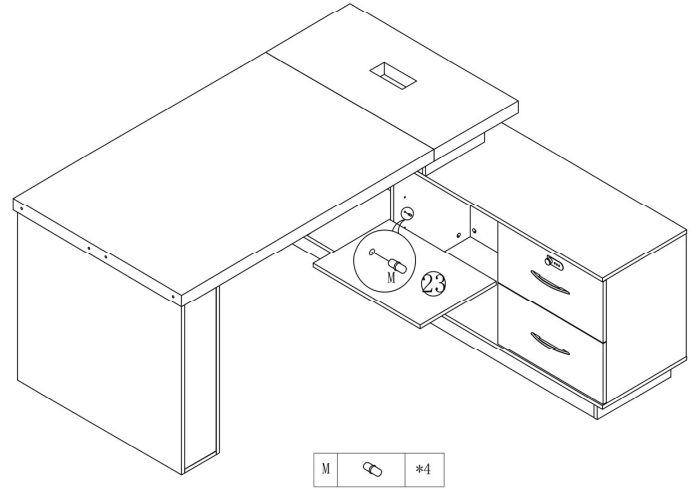
A		*12
B		*12



D		*2	G		*2
F	 3,5x14mm	*8	H	 Ø18mm	*4
			L		*1



— 23 —



— 24 —

