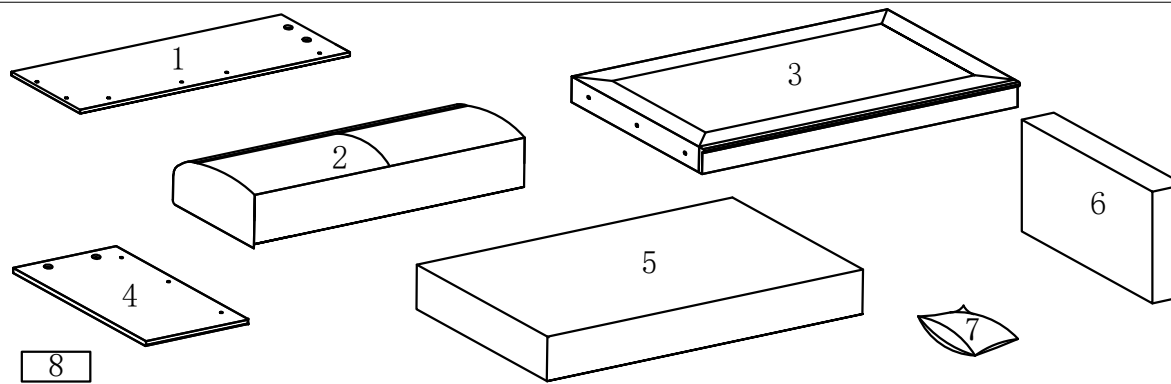
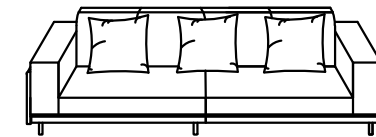


No.	ComponentName	Quantity
1	Backrest	2
2	Upholstered Back Cushion	2
3	Upholstered Back Cushion	2
4	Left Right Armrest Panels	2
5	Seat Cushion	2
6	Armrest Cushion	2
7	Accessories Bag	3
8	Hardware Pack	1



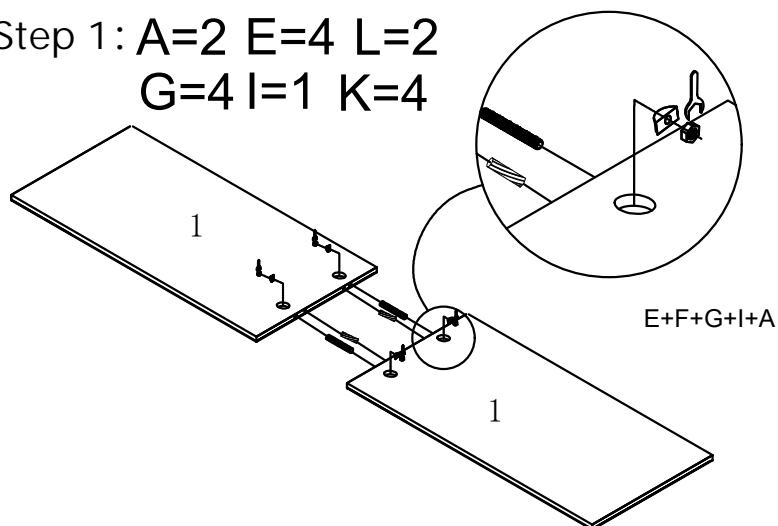
Product Assembly Instructions



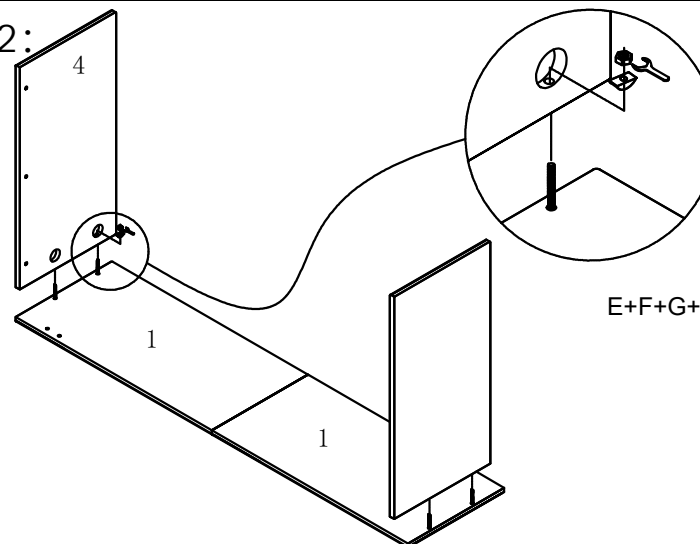
Product Name: Four-Seater Sofa

Please follow the instructions carefully to ensure proper installation.

Step 1: A=2 E=4 L=2
G=4 I=1 K=4



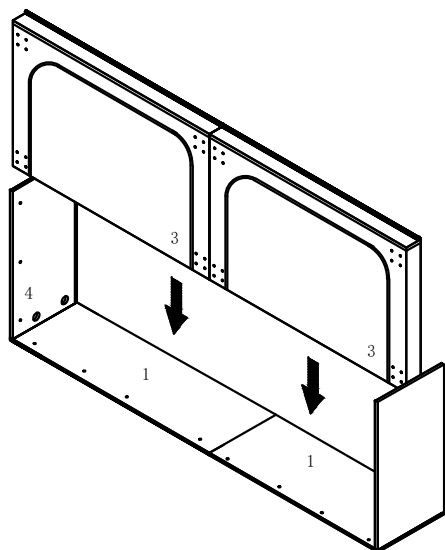
Step 2:
E=4
F=4
G=4
K=4
I=1



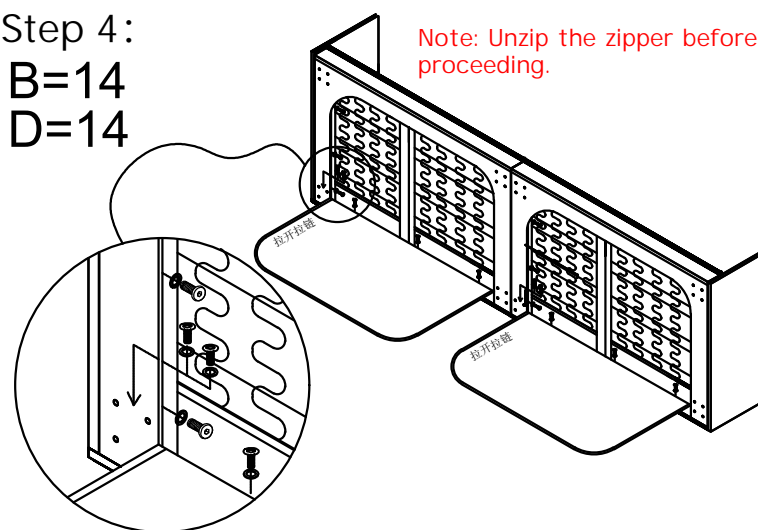
Hardware List :

Label	Shape	Name	Quantity
A		010×40 Wooden Dowel	2
B		M8×25 Inner Hex Screw	14
C		M8×16 Inner Hex Screw	32
D		Flat Washer 8×18×1.2	14
E		Half-moon Nut	8
F		Fully Threaded Bolt 8×65	4
G		8MM Screw Rod	8
H		8MM Inner Hex	1
I		8MM spanner	2
J		150MM Adjustable Foot	8
K		Ø38 rubber sheet	8
L		Ø8*100 threaded rod	2
M		Self-tapping screw (M3.5*208)	8
N		Connecting Piece	1 set

Step 3:

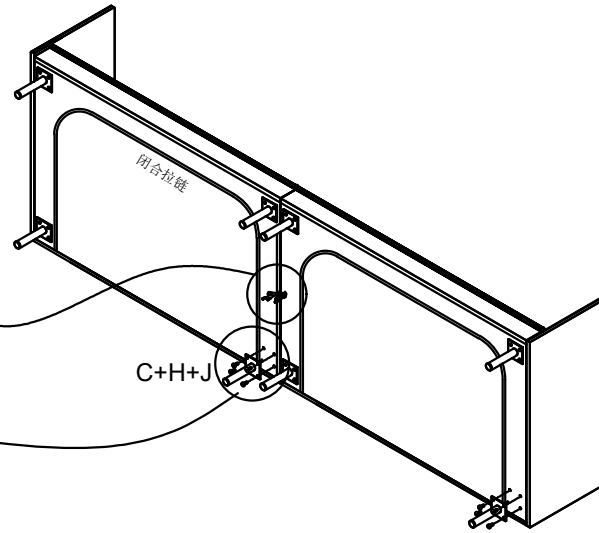
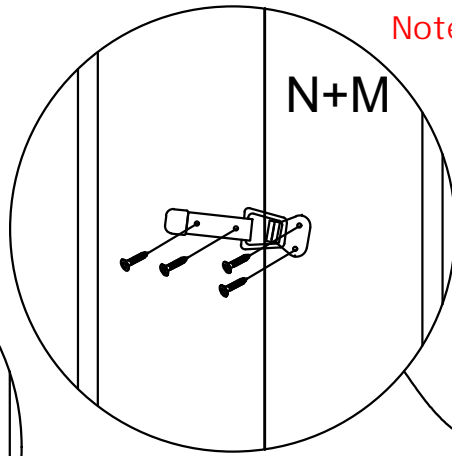
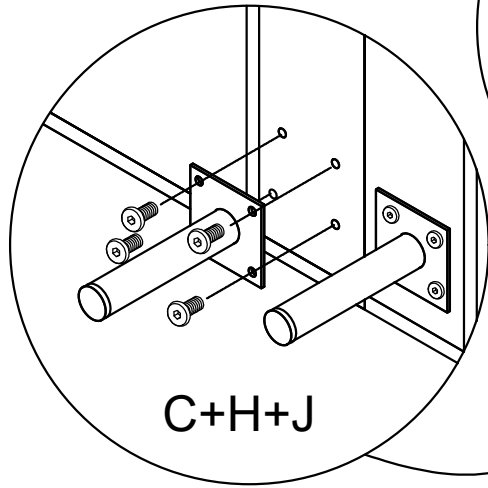


Step 4:
B=14
D=14

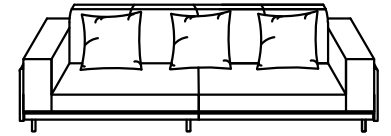


Step 5: C=32 J=8 H=1
N=1 M=4

Note: Remember to fasten the connection buckle.



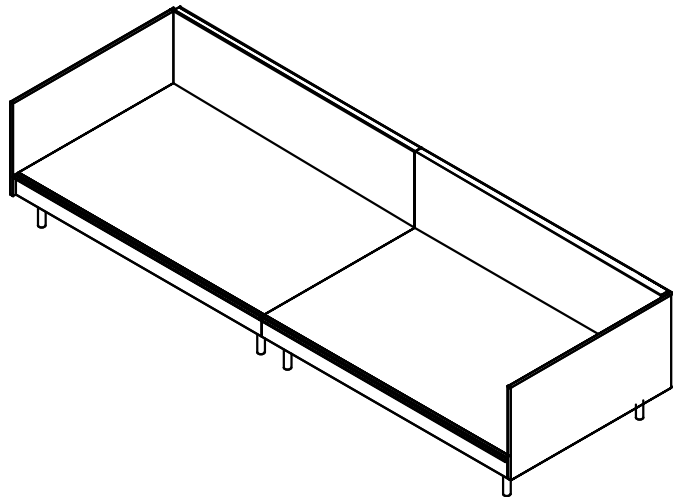
Product Assembly Instructions



Product Name: Four-Seater Sofa
Please follow the instructions carefully to ensure proper installation.

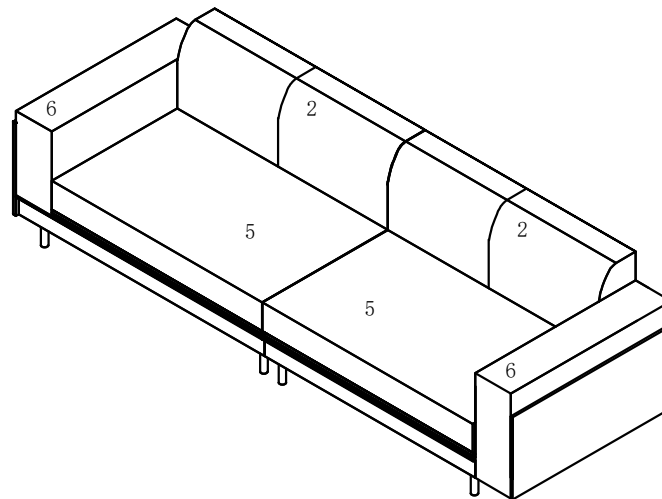
Step 6:

Turn the sofa over.



Step 7:

Install separately on the left and right, then align them closely.



分左右安装靠枕

