

Sectional Sofa - HS015

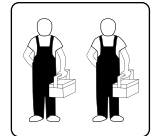
Assembly Instructions



Safety And Care Advice

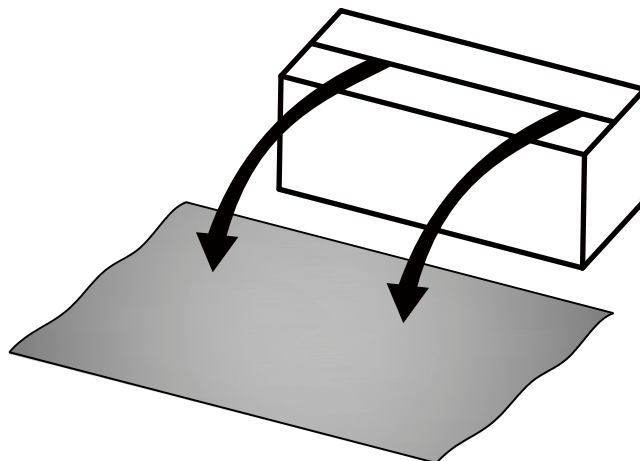
Important – Please read these instructions fully before starting assembly.

1. Please check if all the components and tools listed out are received.
2. Please remove all fittings from the plastic bags and separate them into homologous groups.
3. Please keep children and animals away from the working areas; swallow small parts may cause suffocation.
4. Please make sure you have enough space to lay out the parts before starting.
5. Do not stand on the product, which could cause damage.
6. Please assemble the product as close to its final position as possible.
7. Do not place furniture directly in front of radiators, fires, or any other source of heat.
8. The assembly will be easier with 2 people.
9. Please dispose of all packaging carefully and responsibly.

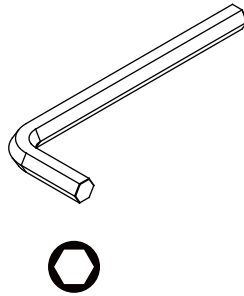


General care and maintenance

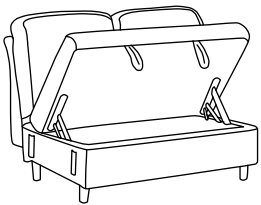
1. Please clean with a damp cloth or mild detergent, do not use bleach or abrasive cleaners.
2. Do not allow the spill to stay on the surface for a long time.
3. Do not clean with products containing the following: acetone (e.g., nail varnish remover), ammonia (e.g.bleach), or sodium hydroxide(e.g., caustic soda, drain, and oven cleaners).
4. If the product is accidentally exposed to the irritating liquid, rinse thoroughly with clean water.
5. Mats can be used to protect surfaces from moisture and heat.
6. Please check whether there are missing screws in the product regularly.
7. The product should not be discarded with household waste, and please take it to your local authority waste disposal center.



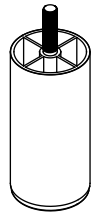
i Tools Required :



Package A1



D



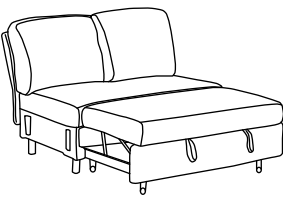
Ø45*97 mm
4X

E



Ø45 mm
4X

Package A2



A



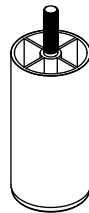
Ø1/4*20 mm
8X

B



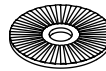
H =97 mm
4X

D



Ø45*97 mm
4X

E



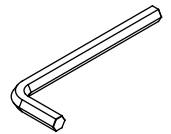
Ø45 mm
4X

F



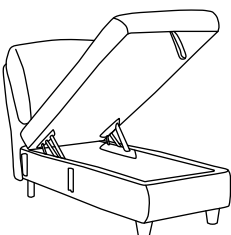
Ø16 mm
8X

G

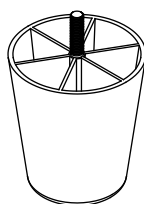


M4
1X

Package B1

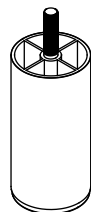


C



Ø80*97 mm
2X

D



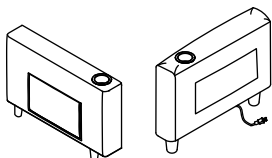
Ø45*97 mm
2X

E

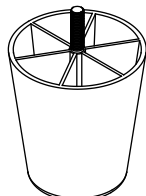


Ø45 mm
4X

Package C1



C



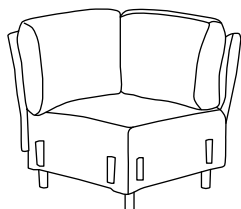
Ø 80*97 mm
4X

E

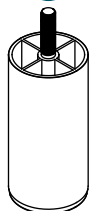


Ø 45 mm
4X

Package D1



D



Ø 45*97 mm
4X

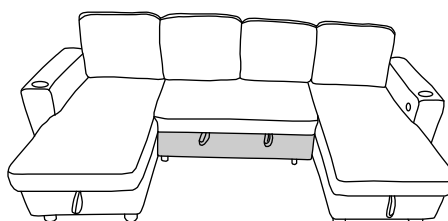
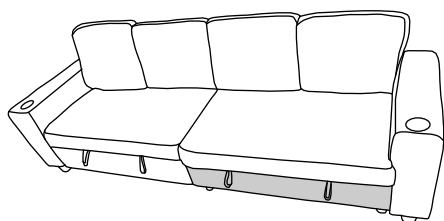
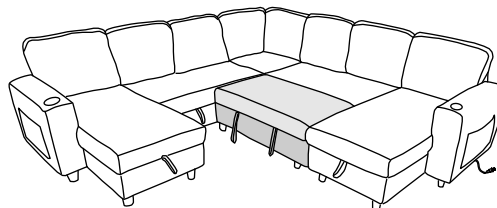
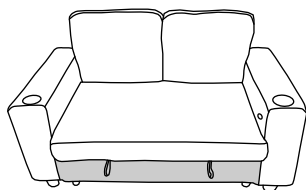
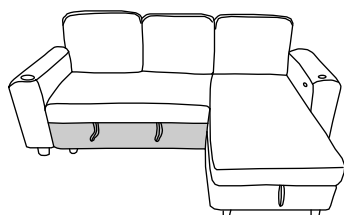
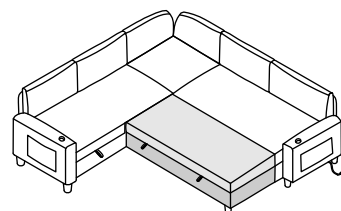
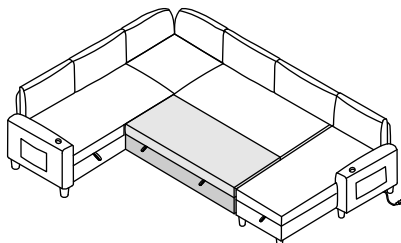
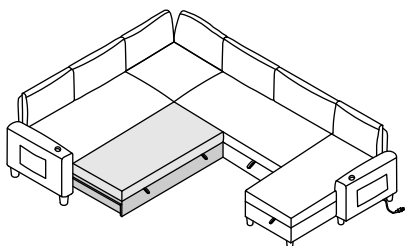
E



Ø 45 mm
4X



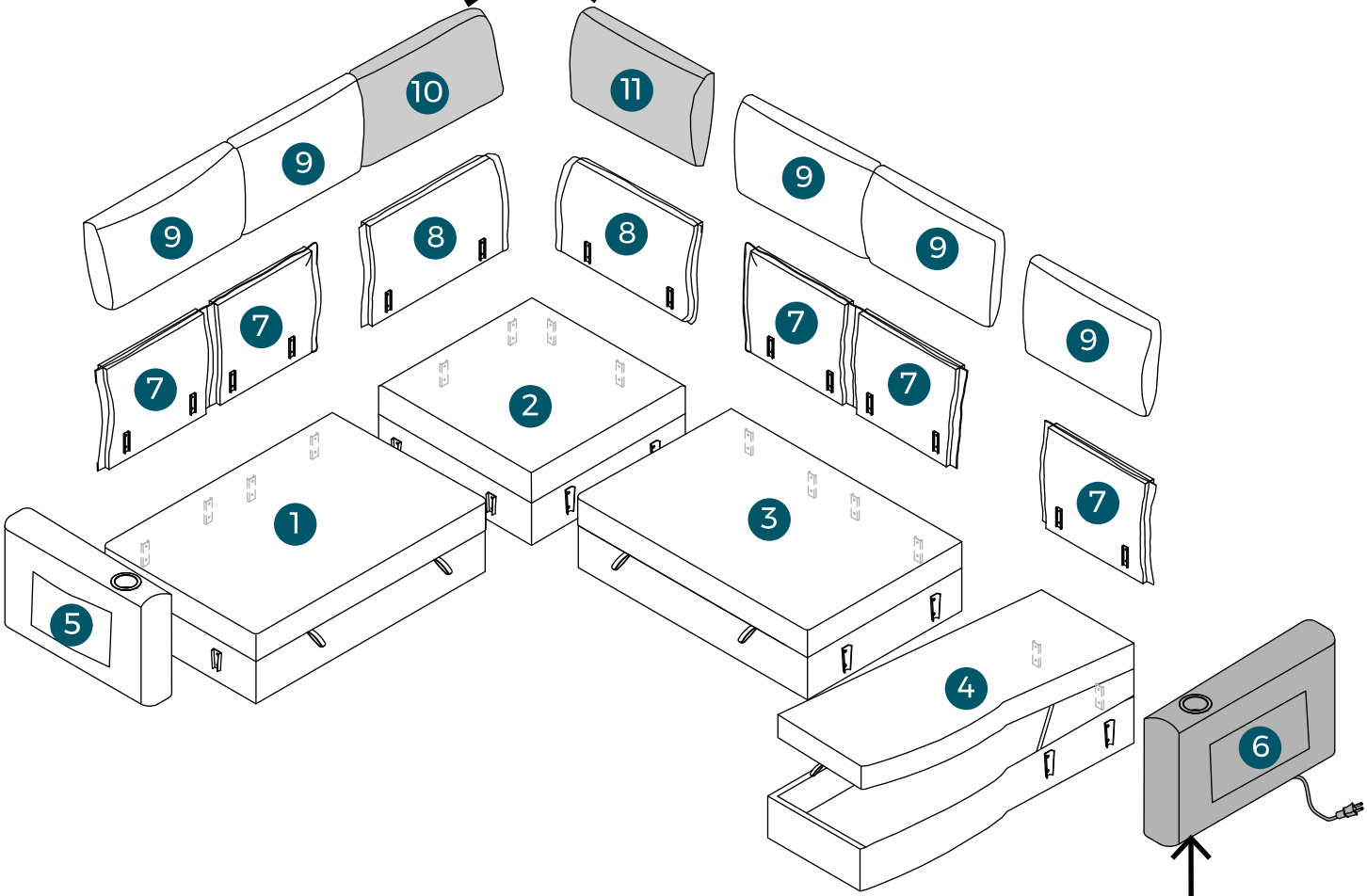
Common sofa configurations:



This manual provides assembly instructions for several modules. If you have any questions, please contact customer service for assistance (support@linsyhome.com).



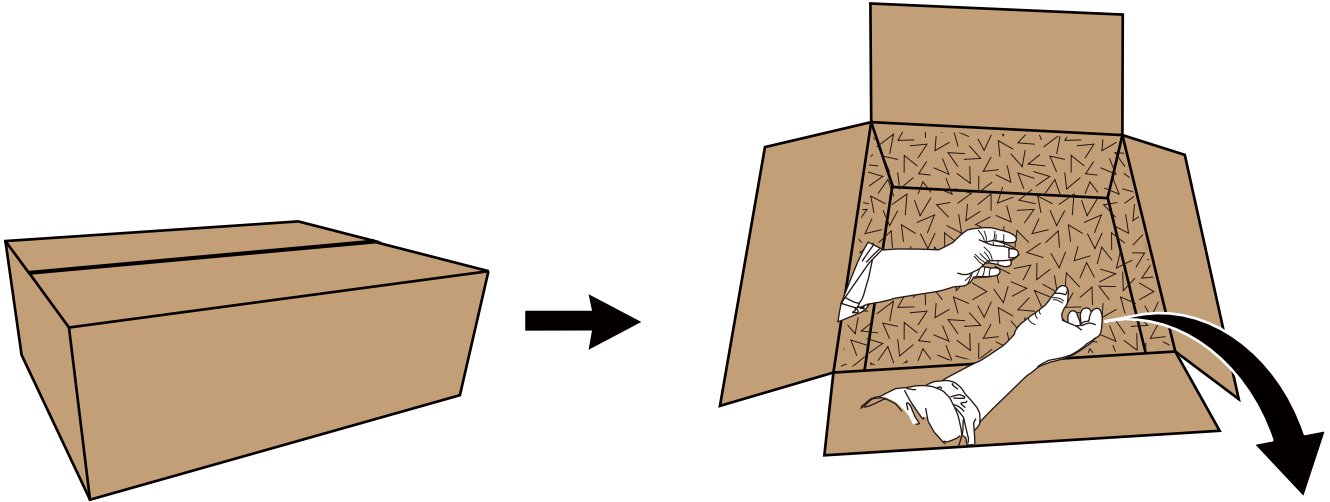
The larger cushion is for the corner seat, the rest are small cushions.



The armrest with power cord is on the left sitting.



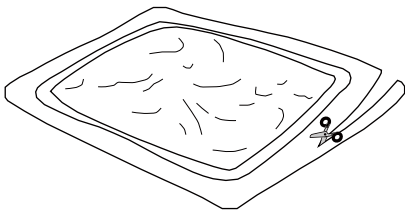
1



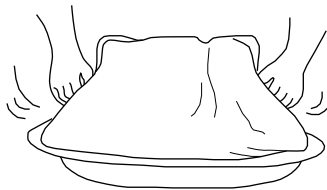
Please note that the backrest cushion is stored inside the seat frame. However, the backrest cushion for the pull-out bed is compressed and placed separately in the drawer of the pull-out bed. It needs to be covered with the fabric cover before use.



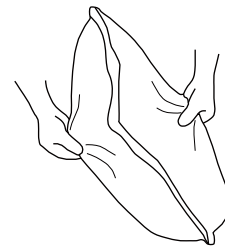
Allow 36-72 hours for the cushion to inflate fully.



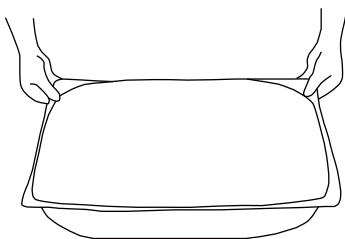
Step 1:
Cut and open the package



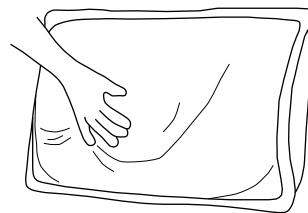
Step 2:
Rotate the cushion multiple times and pat from the sides



Step 3:
Gently pull the fabric cover and cushion filling outward

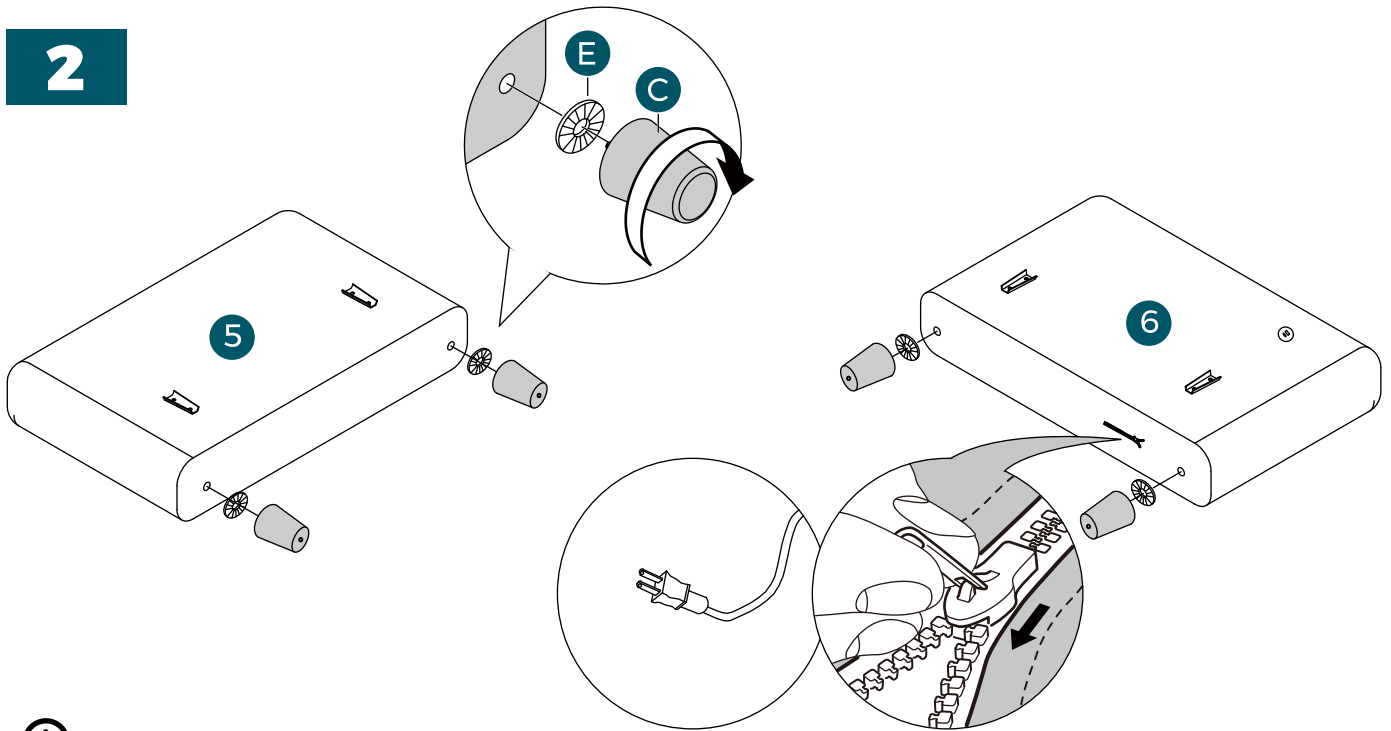


Step 4:
Straighten the edges of the fabric cover



Step 5:
Lightly pat the surface to smooth wrinkles

2

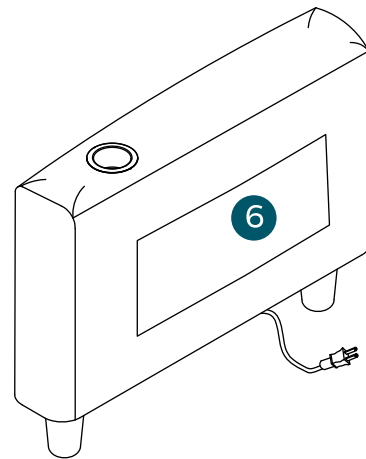
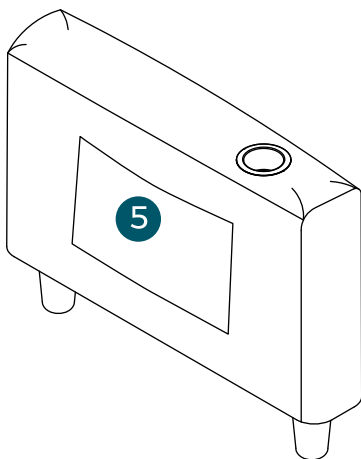


Unzip the zipper, then pull the power cord out from inside the sofa's armrest, and zip it back up.

3

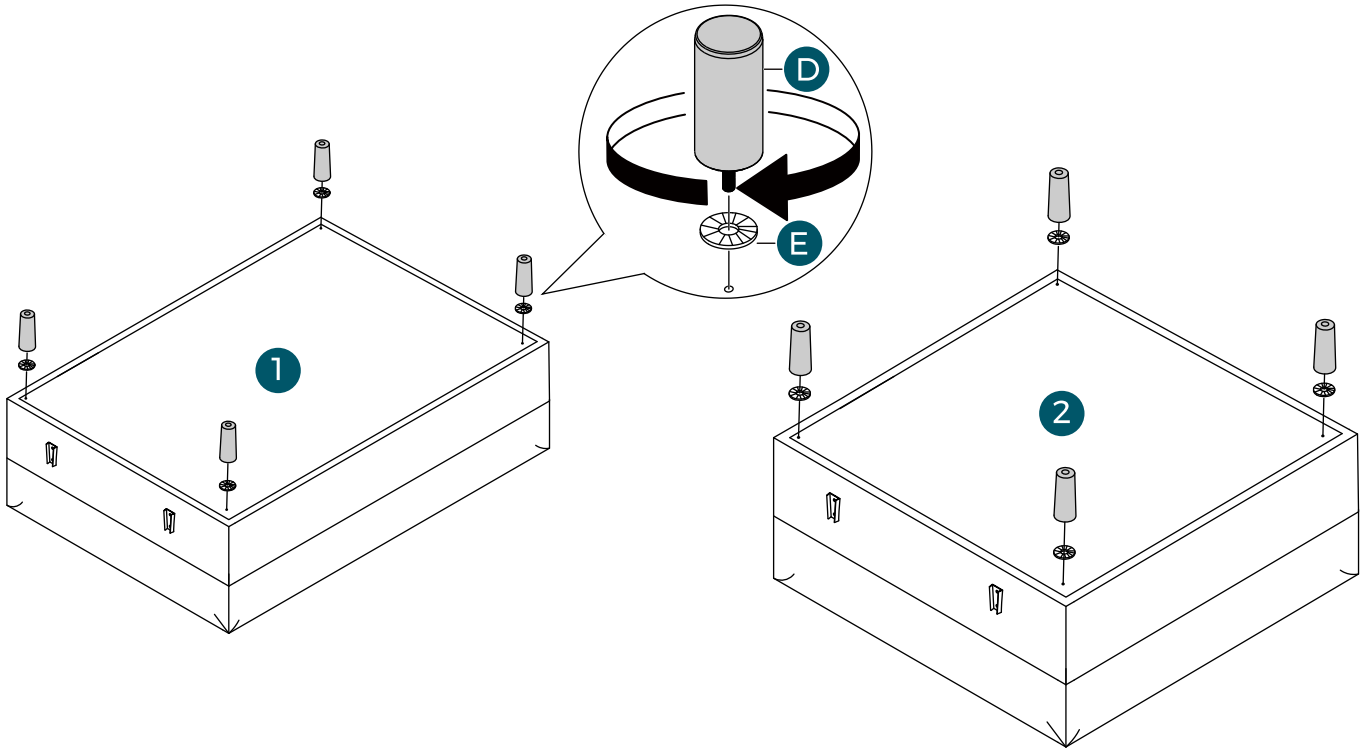


The armrest with power cord is on the left sitting.

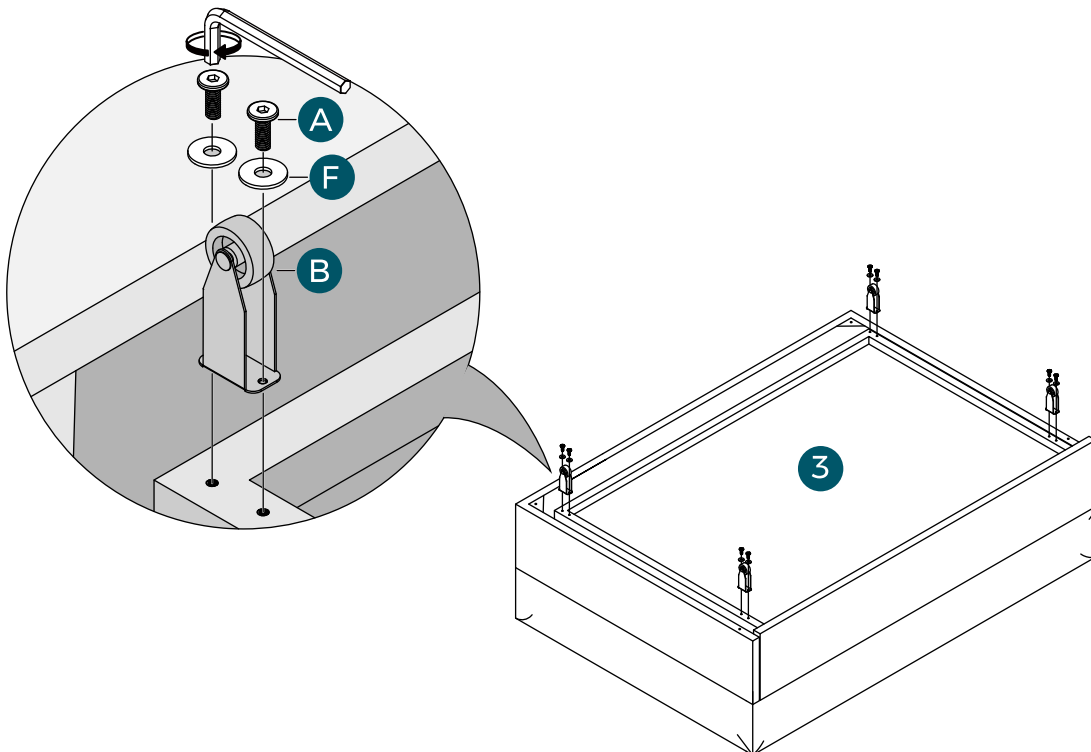




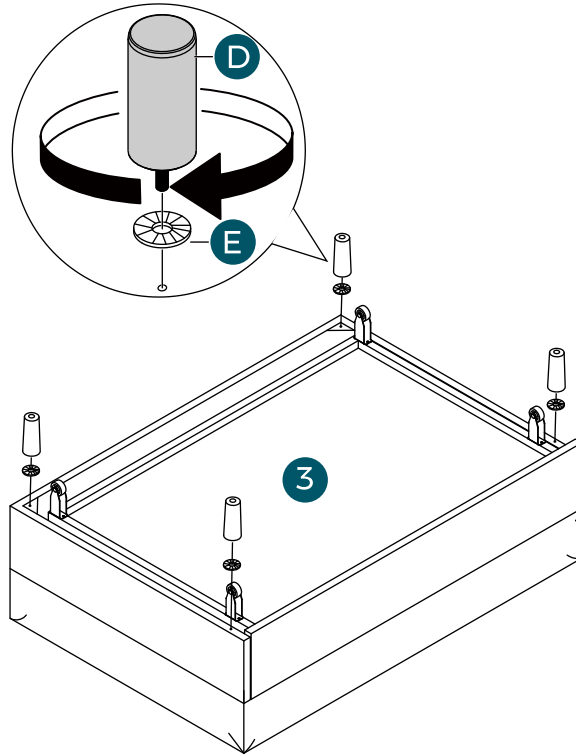
4



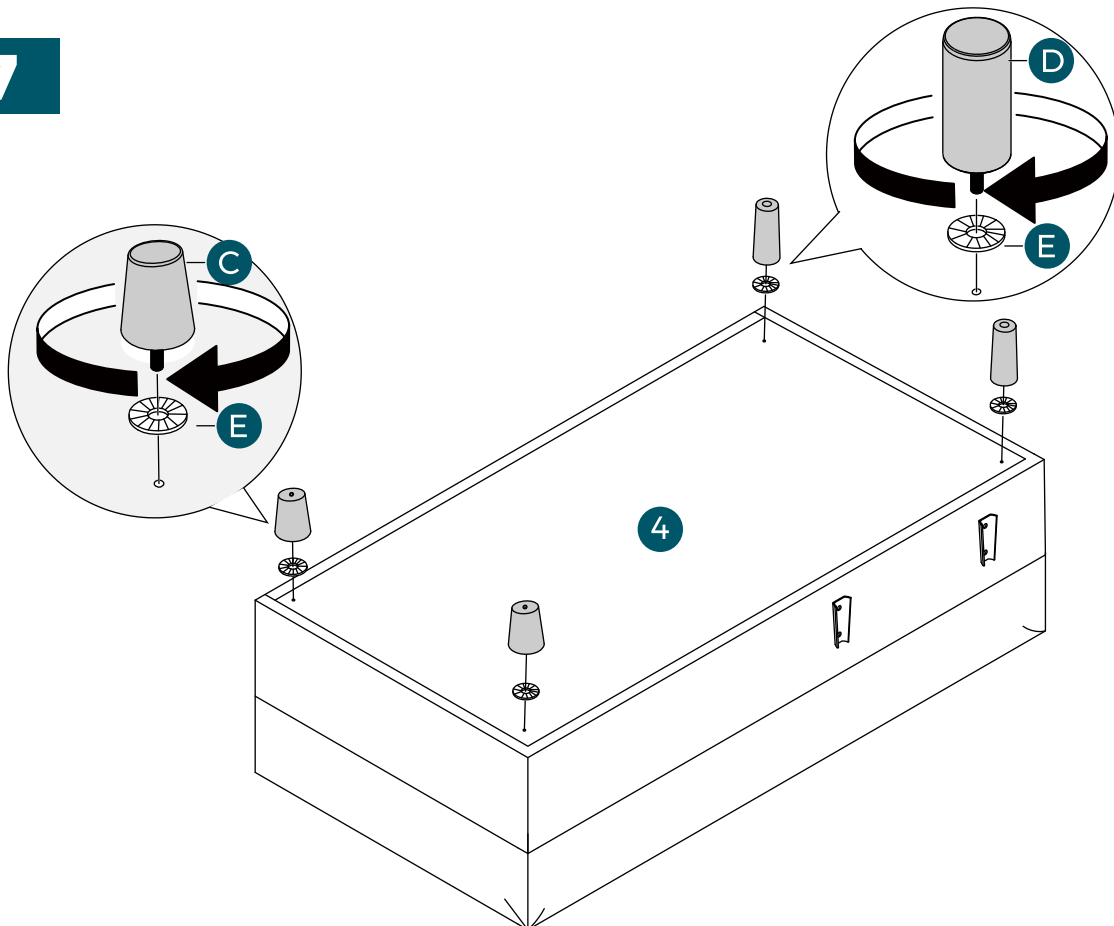
5



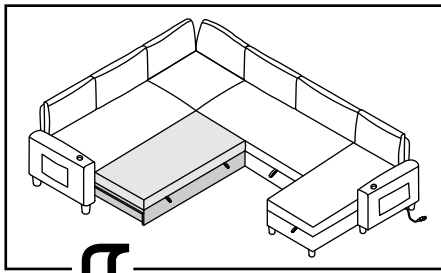
6



7

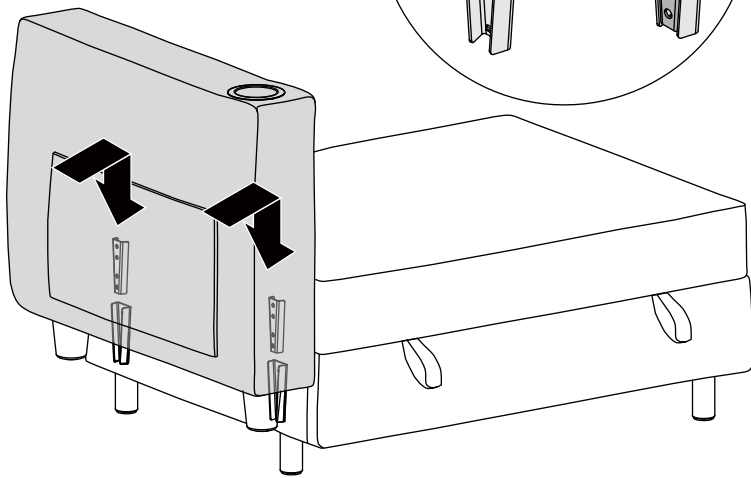
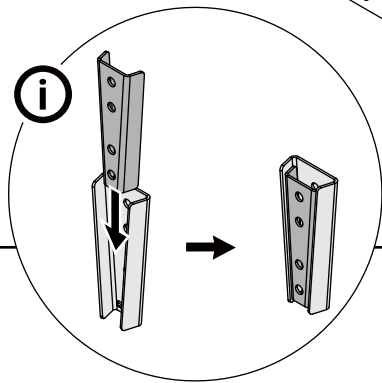
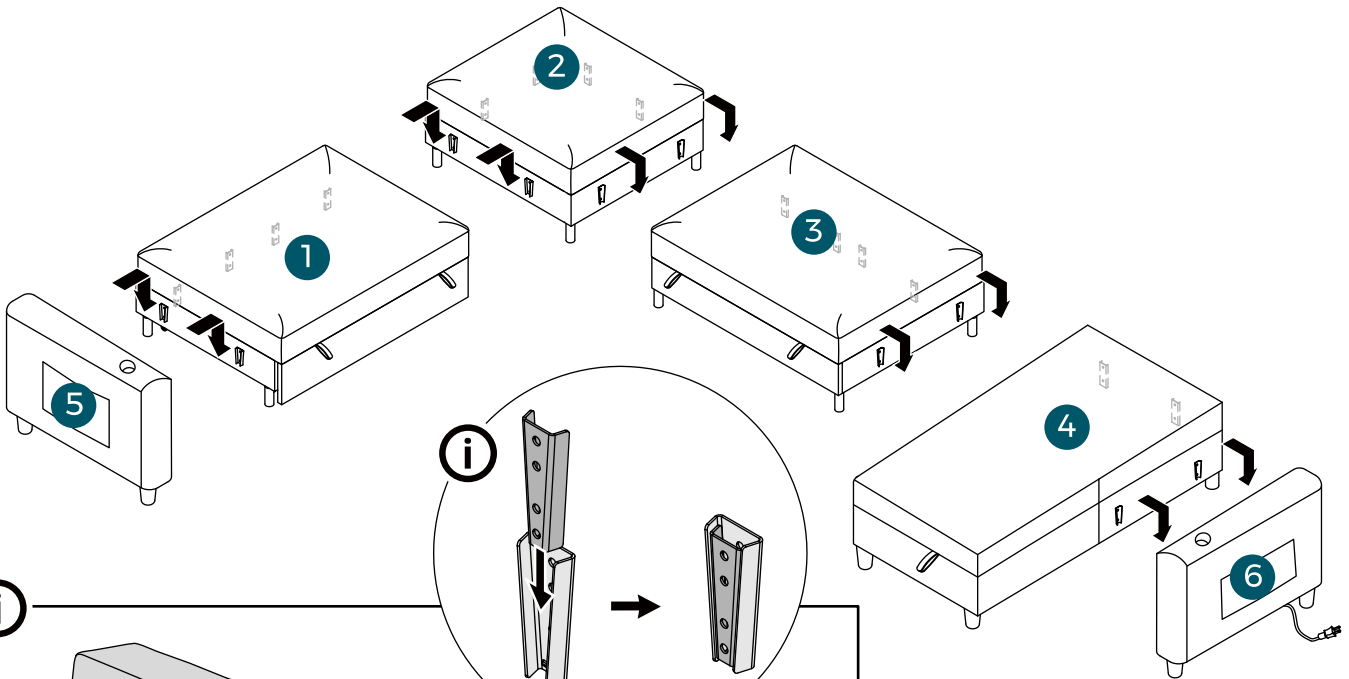


8



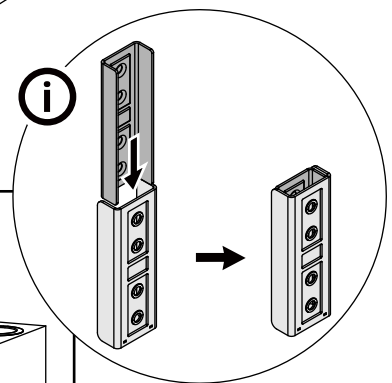
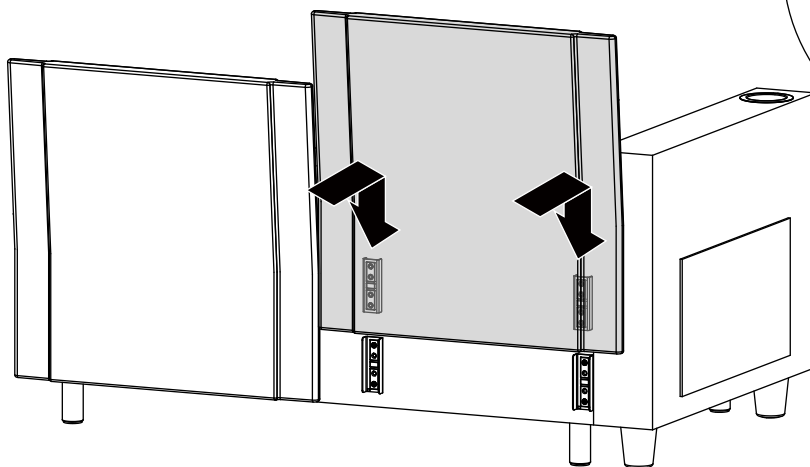
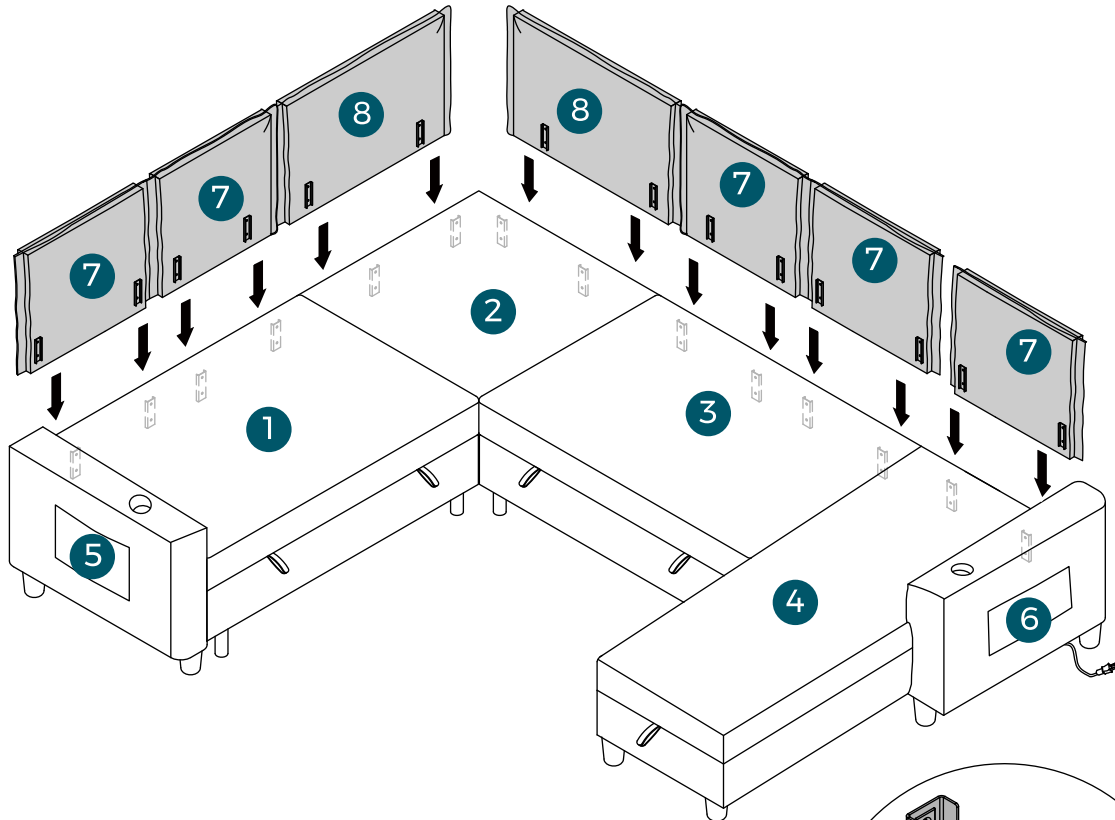
Insert these parts one by one from right to left.

Right Left



Lift the sofa component (e.g., armrest) with latch buckles installed, align its latches with those of the other components (e.g., seat frame), and insert downward until the two components fasten tightly.
Note: Distinguish between male and female latches.

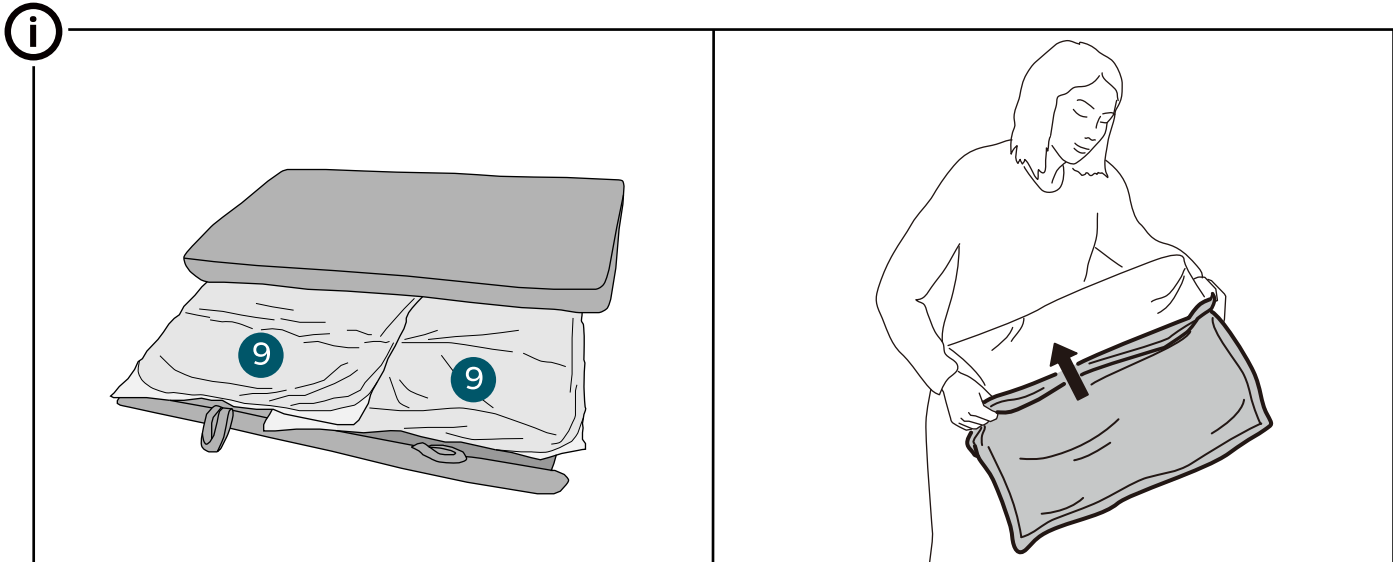
9



Lift the sofa component (e.g., backrest) with latch buckles installed, align its latches with those of the other components (e.g., seat frame), and insert downward until the two components fasten tightly. Note: Distinguish between male and female latches.

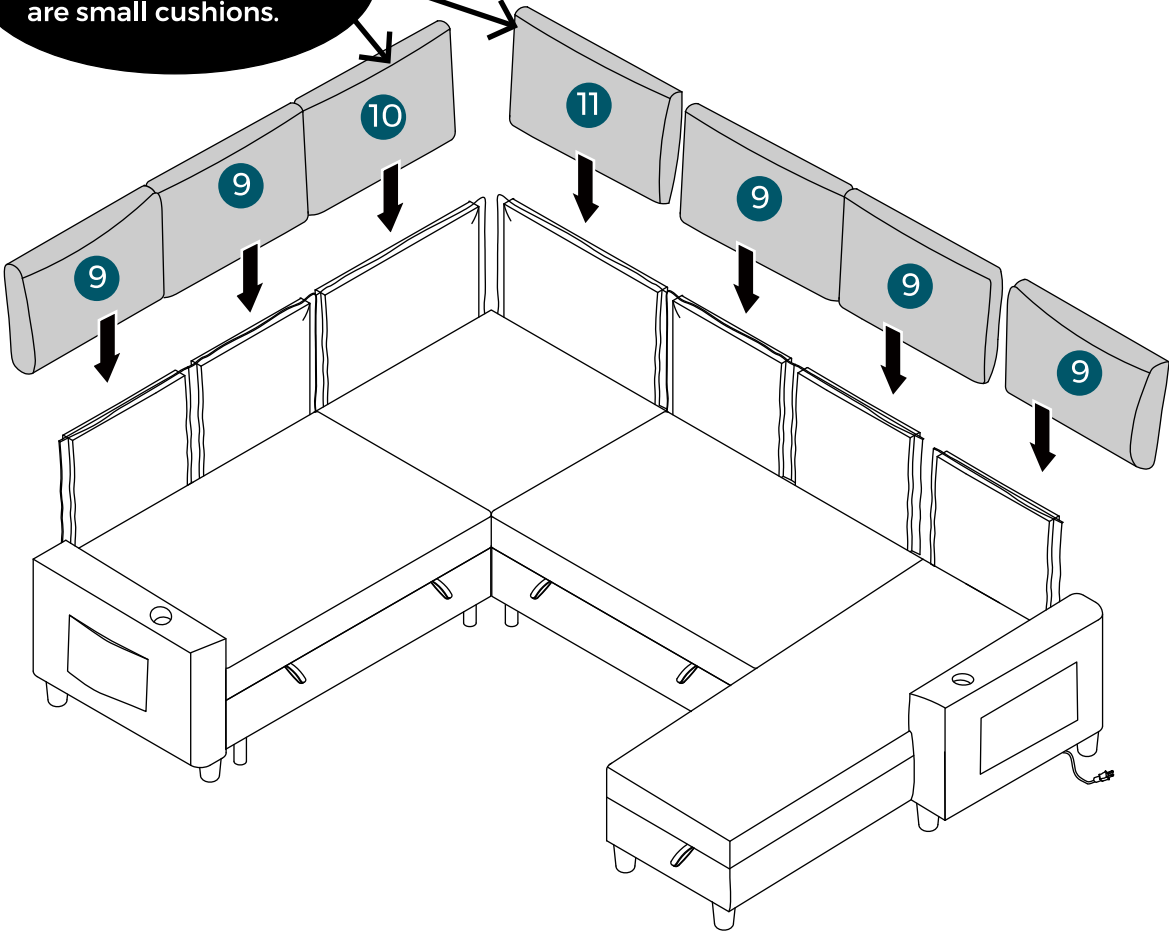


10

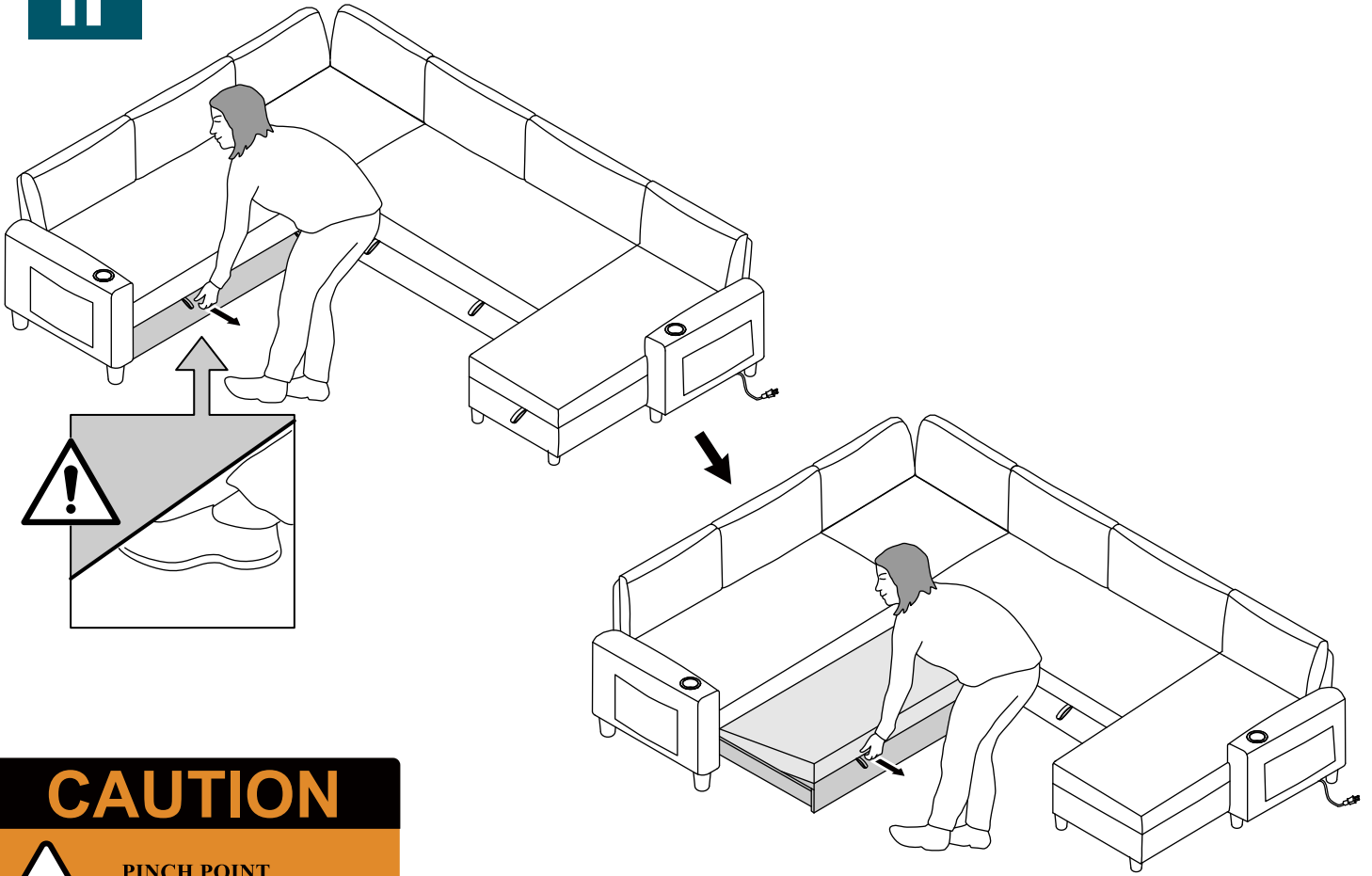


Please note that the backrest cushion is stored inside the seat frame. However, the backrest cushion for the pull-out bed is compressed and placed separately in the drawer of the pull-out bed. It needs to be covered with the fabric cover before use.

The larger cushion is for the corner seat, the rest are small cushions.



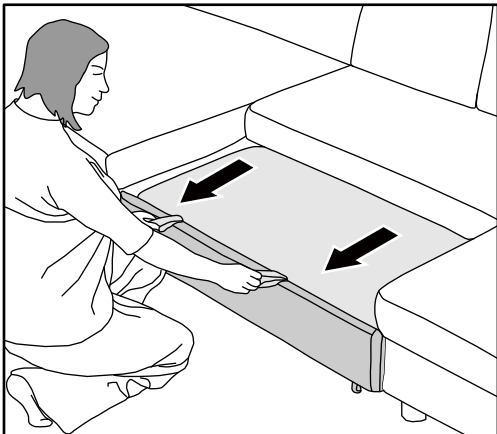
11



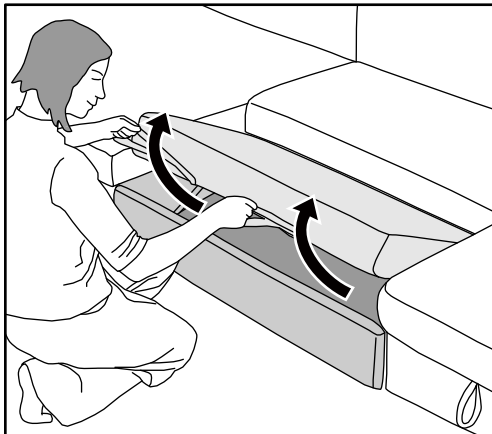
CAUTION



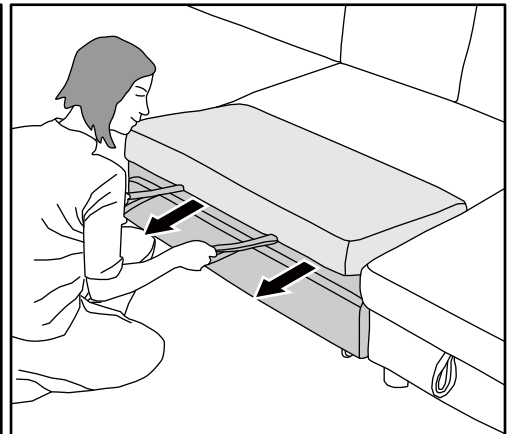
PINCH POINT
RISQUE DE PINCEMENT
PUNTO DE PELLIZCO



Step 1: Pull it out with both hands



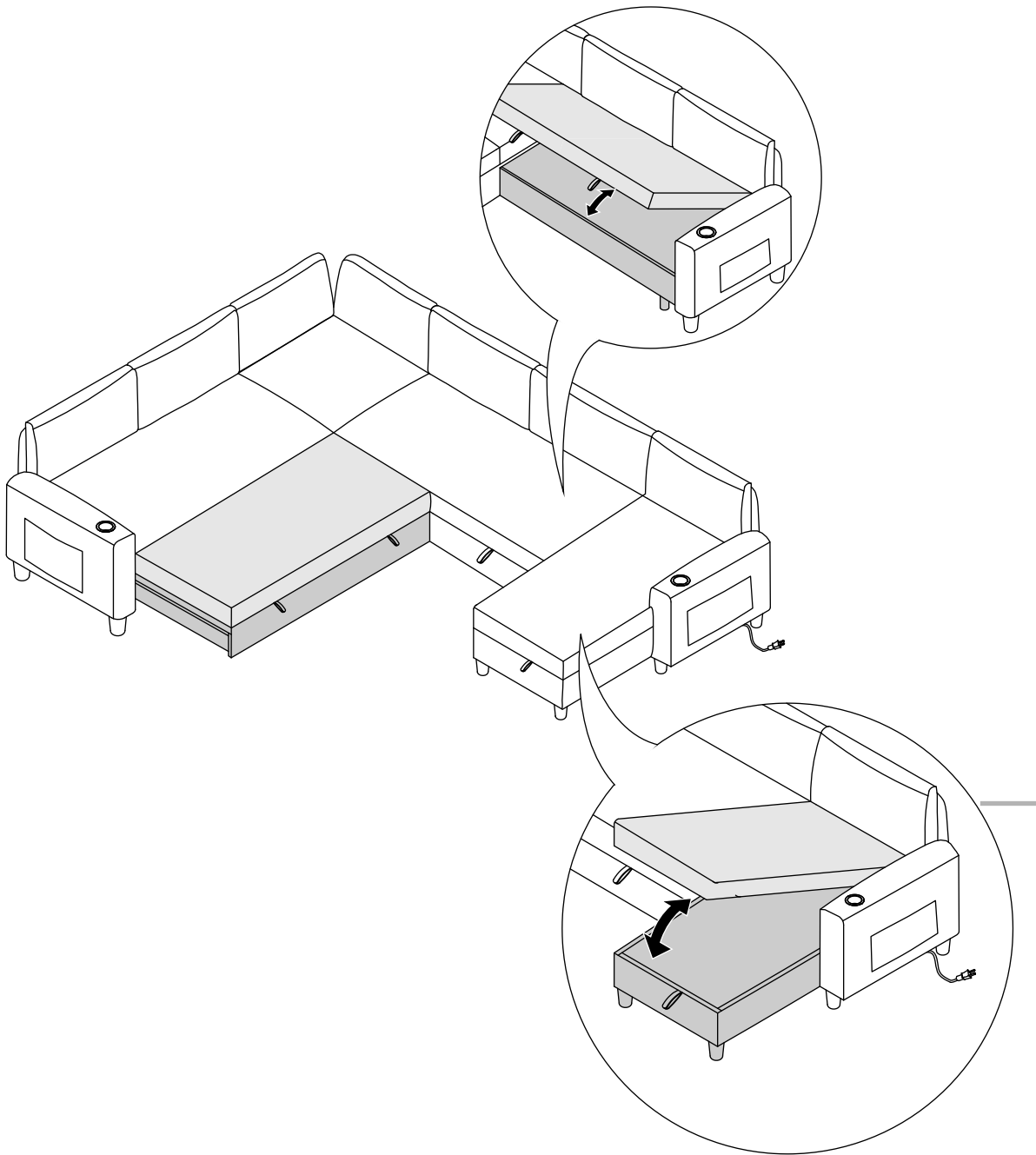
Step 2: Lift it up



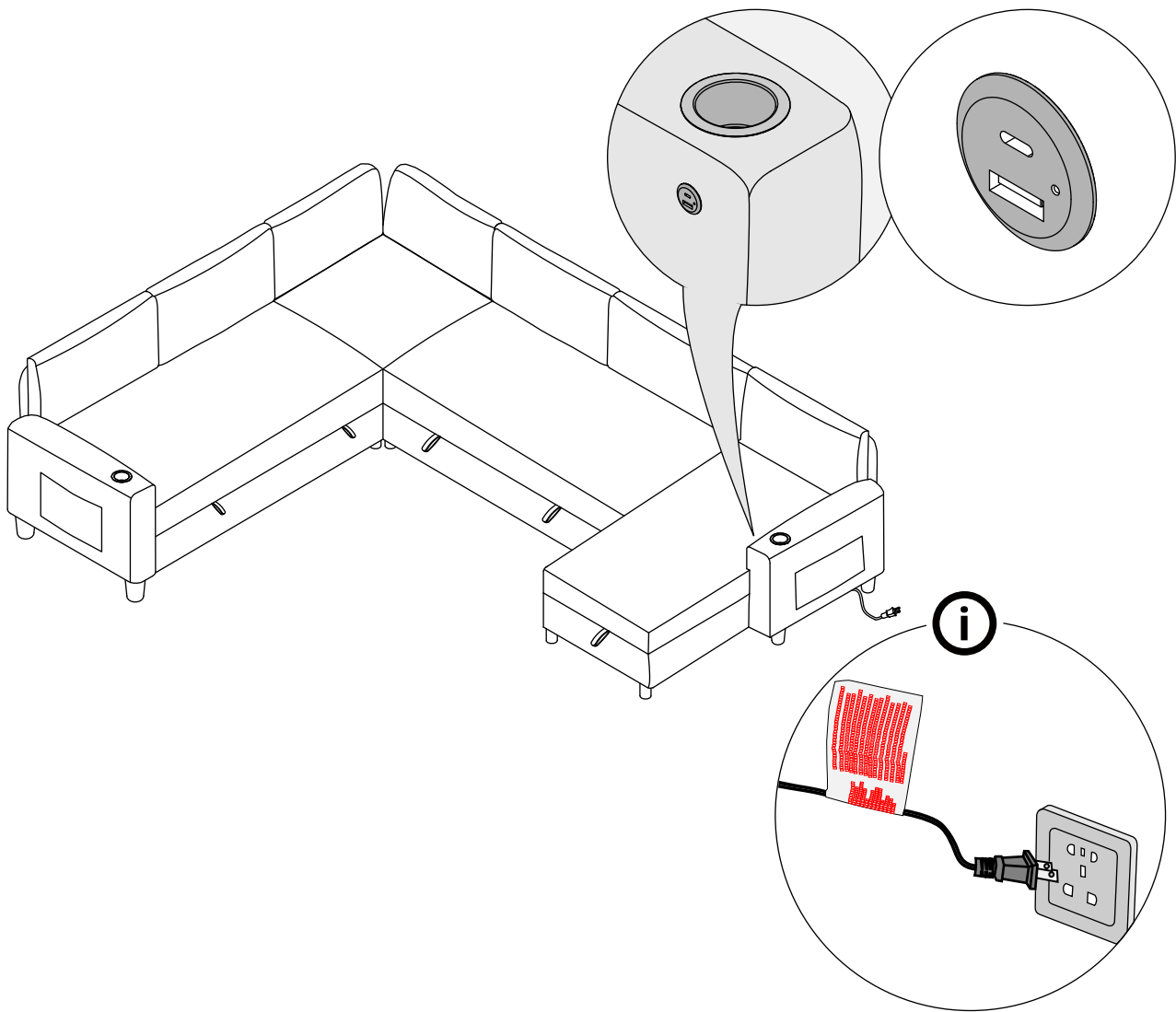
Step 3: Press down and lay it flat.



12



13



i If you still have questions about the installation, you can visit the following website to watch the installation video for this product.

YouTube <https://youtu.be/vwYP5k688Hk>



Dear Valued Customer,

Thank you for bringing LINSY HOME into your life, where our mission is to "Make Life Better." Your happiness and satisfaction are at the heart of what we do.

If our products have brightened your day, we're thrilled and eager to share that light further.

Encountering an issue? We're here to help swiftly and effectively.

Here's how you can reach us:

Get in Touch

Email us at Support@linsyhome.com

Share Details

Provide your order number and a photo of the issue, along with a brief description.

Await Solutions

Our team will quickly review and propose the right after-sales solution to make things right.

Your feedback propels us forward.

We're committed to ensuring your LINSY HOME experience is always positive.

Warmest thanks,

The LINSY HOME Team