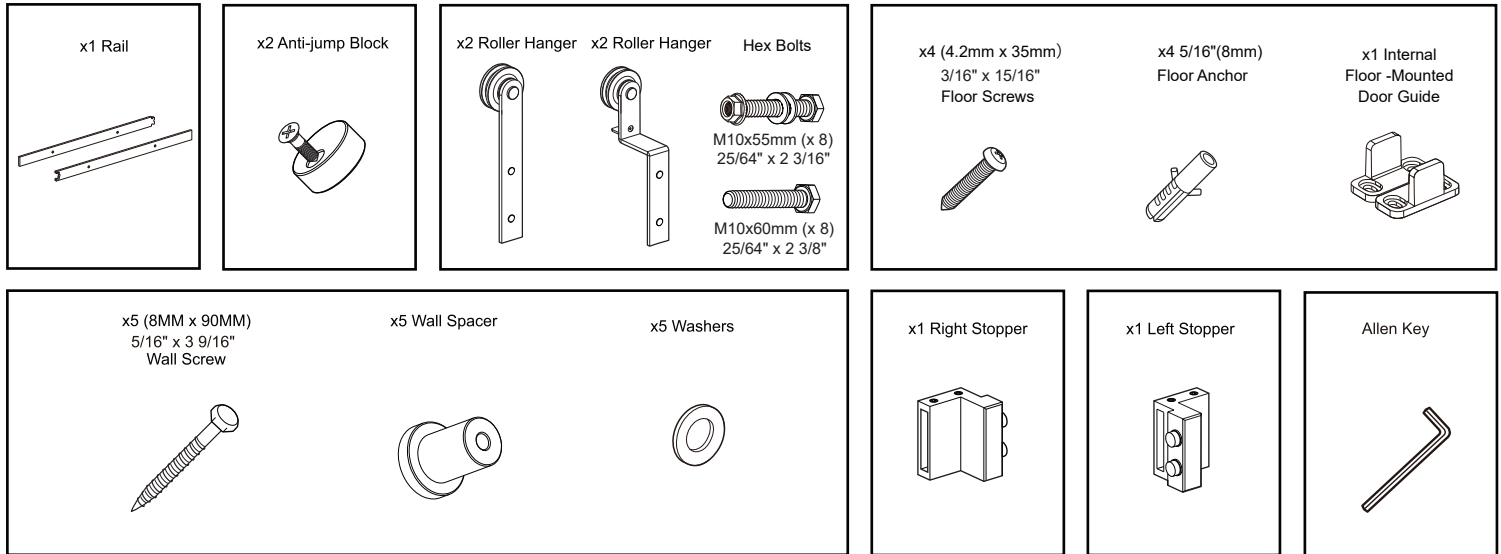


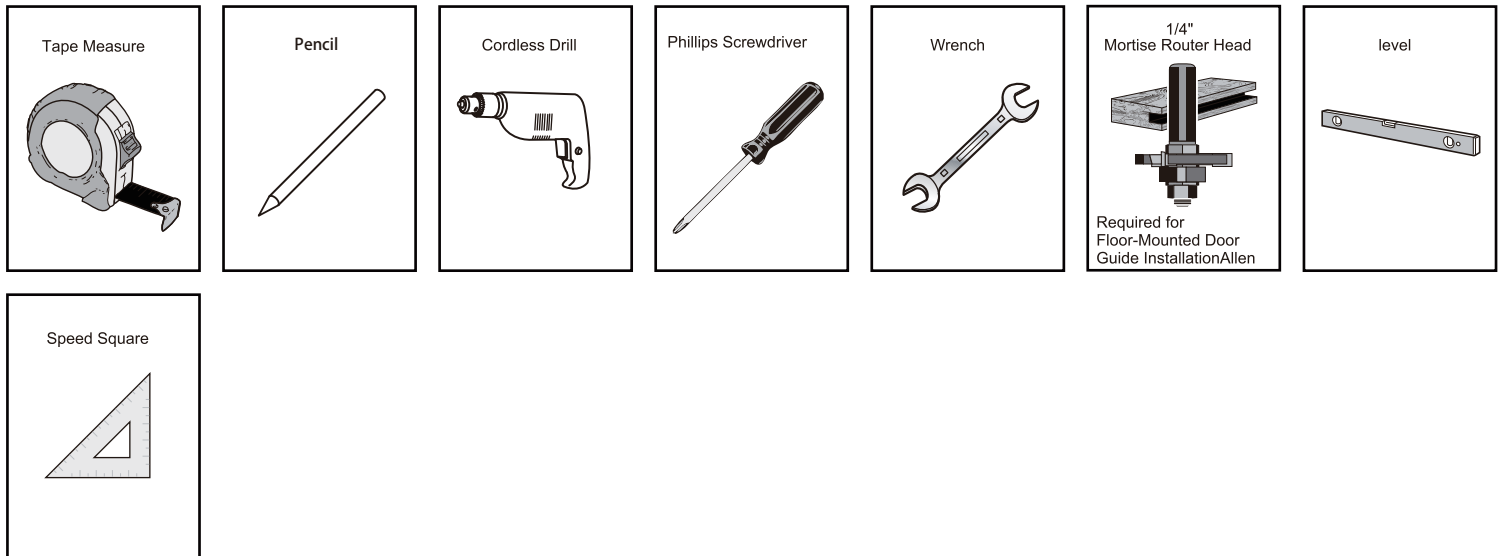
BARN DOOR HARDWARE KIT TSQ25BK-6FT-BP INSTALLATION GUIDE

Main Components



To provide feedback on a particular part, please mark it by circling in the instruction manual and kindly send us a photo.

Tools Required



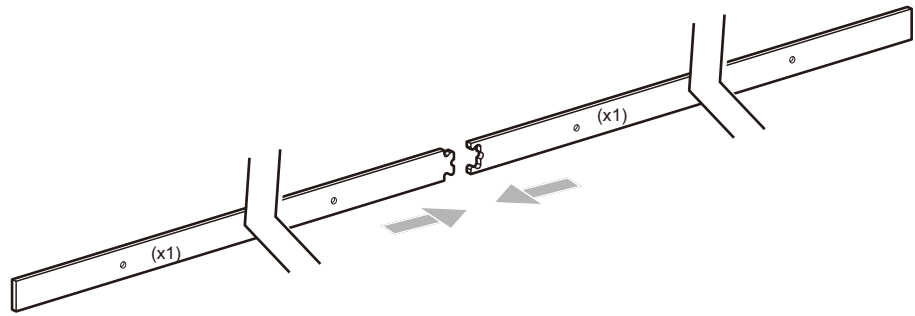
IMPORTANT: BEFORE YOU BEGIN

IF INSTALLING DIRECTLY INTO A NON-CONCRETE WALL, DO NOT ATTEMPT TO INSTALL THE RAIL SOLELY TO THE DRYWALL OR ANY WALL SURFACE AS THIS MAY NOT SUPPORT THE WEIGHT OF THE RAIL AND MOUNTED DOOR. THE RAIL MUST BE INSTALLED ONTO A PIECE OF SOLID WOOD BLOCKING (PACKAGE NOT INCLUDED) USING MOUNTING SCREWS (PACKAGE NOT INCLUDED). ENSURE THE SOLID WOOD BLOCKING IS SECURED INTO THE STRUCTURAL SURFACE. USE A STUD FINDER WHERE NECESSARY TO LOCATE STUDS AND SECURE SAFELY. TYPICAL SOLID WOOD BLOCKING SHOULD BE 81 3/4" x 5 1/2" x 7/8".

NOTE, SEPARATE BOLTS ARE PROVIDED FOR 1 3/8" DOORS AND LONGER BOLTS PROVIDED FOR 1 3/4" DOORS. IF INSTALLING WITH THE INTERNAL FLOOR-MOUNTED DOOR GUIDE, THE DOOR MUST BE MORTISED 1/4" WIDE X 3/4" DEEP CENTRALLY.

BARN DOOR HARDWARE KIT
TSQ25BK-6FT-BP
INSTALLATION GUIDE

Kindly reminder: Connect the two pieces of the rail before installing



Step1. Door Preparation – Roller Installation

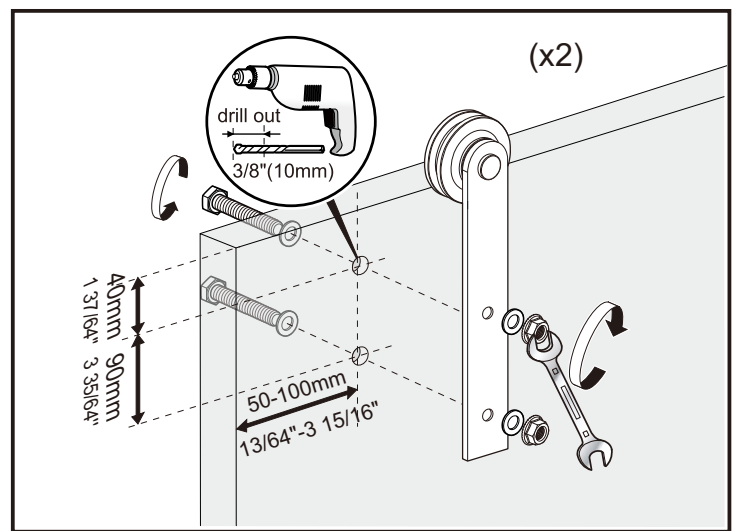
Position each roller to the front of the door at horizontal 5 7/8" from the edge of the door to the roller center.

Please refer to the hole center at vertical

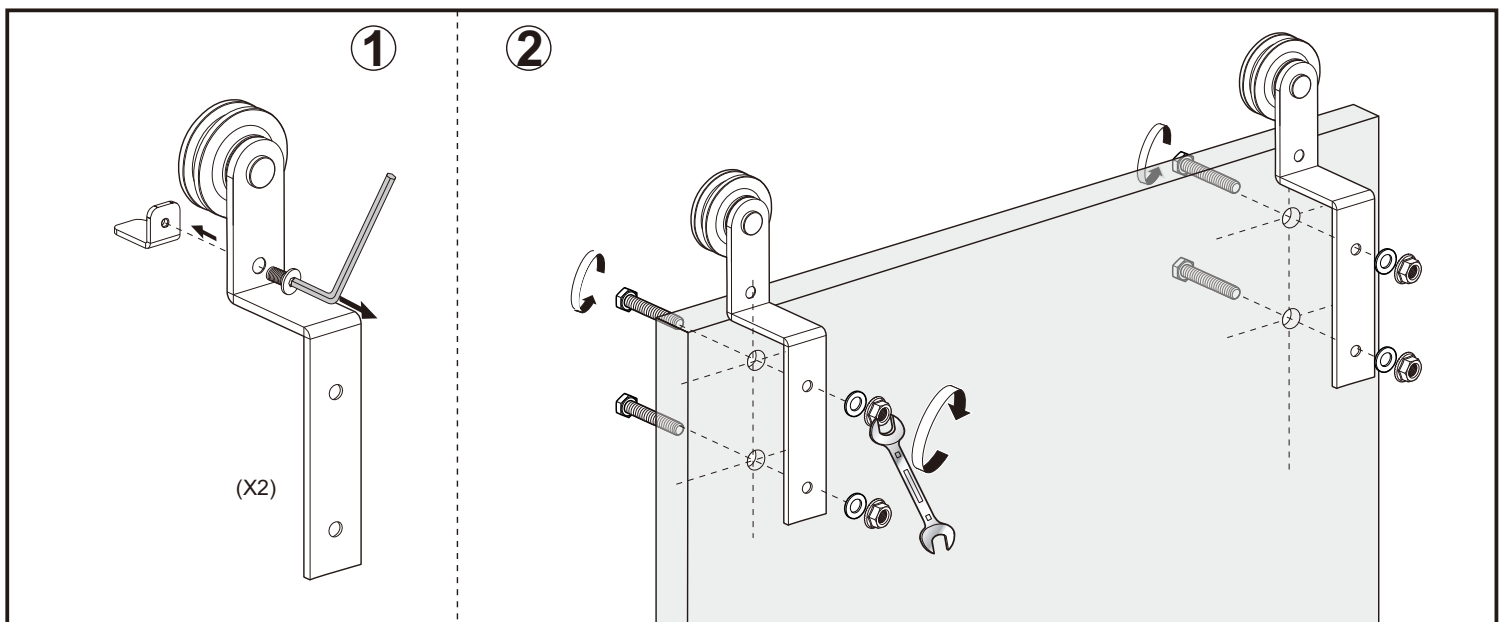
Mark the holes with a pencil, pre-drill 3/8" holes, insert the bolts and washers, secure the roller in place with a wrench. Repeat for second roller.

IMPORTANT: For 1 3/8" Doors, please use the shorter standard bolts provided.

For 1 3/4" Doors, please use the longer additional bolts provided.



Step2. Remove the anti-jump. Install the hanging Wheel to the door and fixed by the screw.

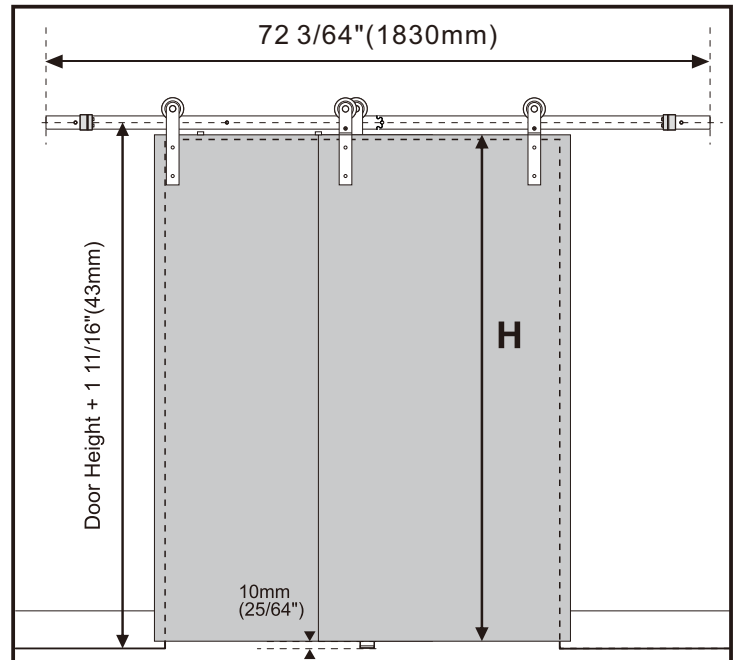


BARN DOOR HARDWARE KIT TSQ25BK-6FT-BP INSTALLATION GUIDE

Step 3. CONCRETE Wall Preparation1

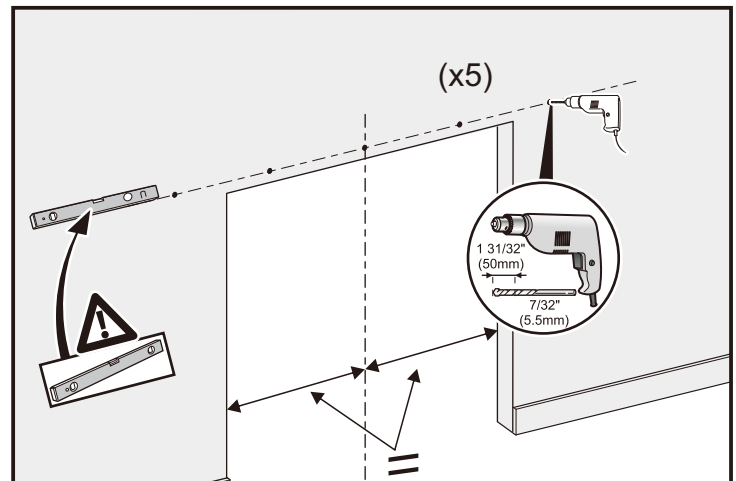
Position the rail by measuring up from the door height (H) + 1 11/16" to the centre of the track. Ensure the rail is level and leave a minimum of 2" from the end of the rail to the side of the opening.

If installing with an opening for 80" standard door size, remove the top trim and cut the side trim horizontally along the height of the opening.



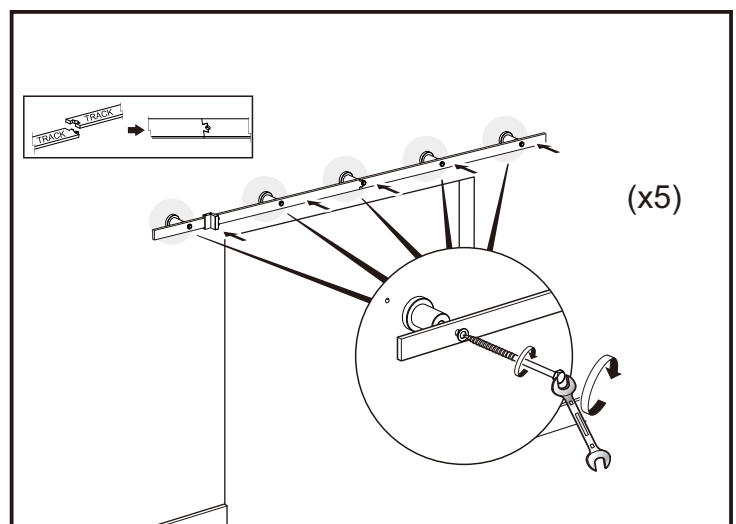
Step 4. CONCRETE Wall Preparation2

Position the rail in place ensuring that it is level, mark the holes on the rail using a pencil and pre-drill 3/8" holes into the concrete.



Step 5. DRYWALL Rail Installation

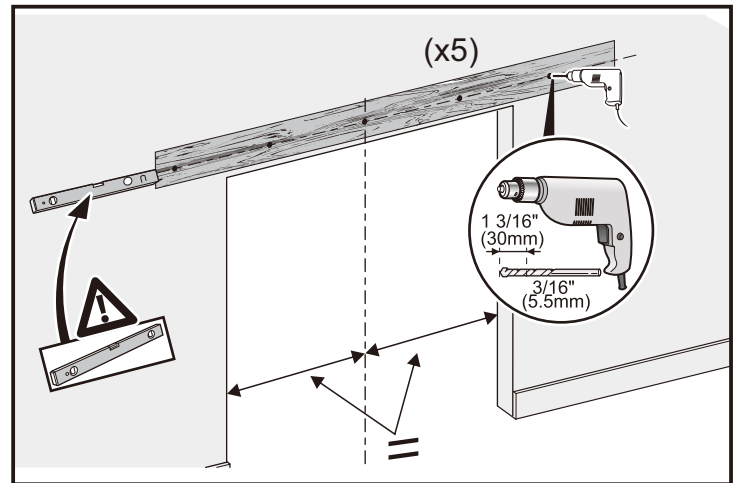
When installing into the solid wood block and wall, insert using the provided wall screws. Align each spacer to the rail holes, inserting screws (with washers), securing with a wrench.



BARN DOOR HARDWARE KIT TSQ25BK-6FT-BP INSTALLATION GUIDE

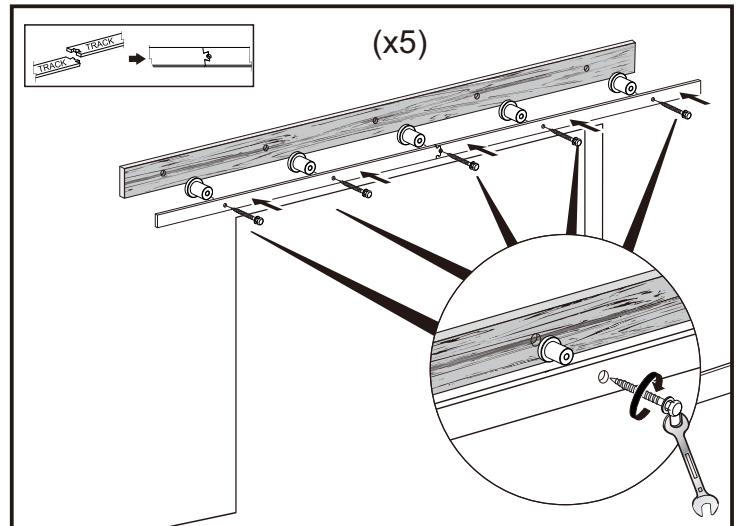
Step 6. DRYWALL Rail Installation

Position the rail on top of the wood blocking ensuring levelness, mark the holes using a pencil and pre-drill $3/16$ " holes into the wood blocking.



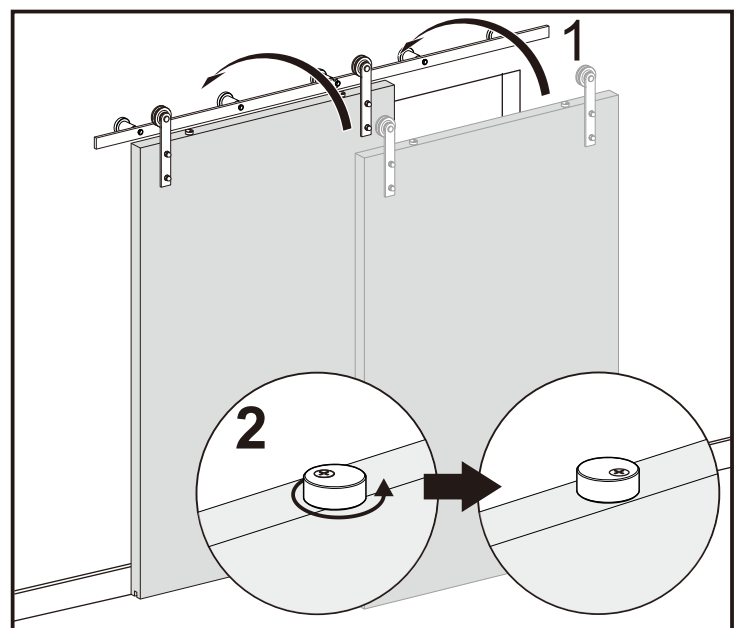
Step 7. DRYWALL Rail Installation

When installing into the solid wood block and wall, insert using the provided wall screws. Align each spacer to the rail holes, inserting screws (with washers), securing with a wrench.



Step 8. Hanging the Door

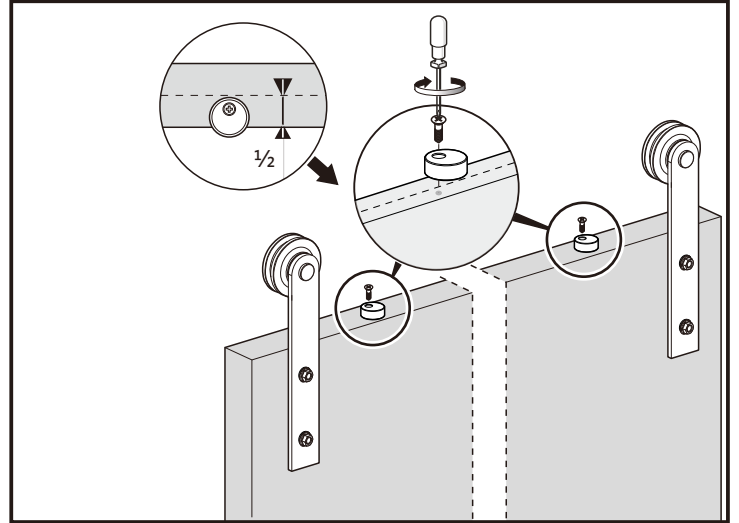
Place the assembled door onto the secured rail and tighten each anti-jump block. Ensure all parts are operating correctly by sliding the door side-to-side.



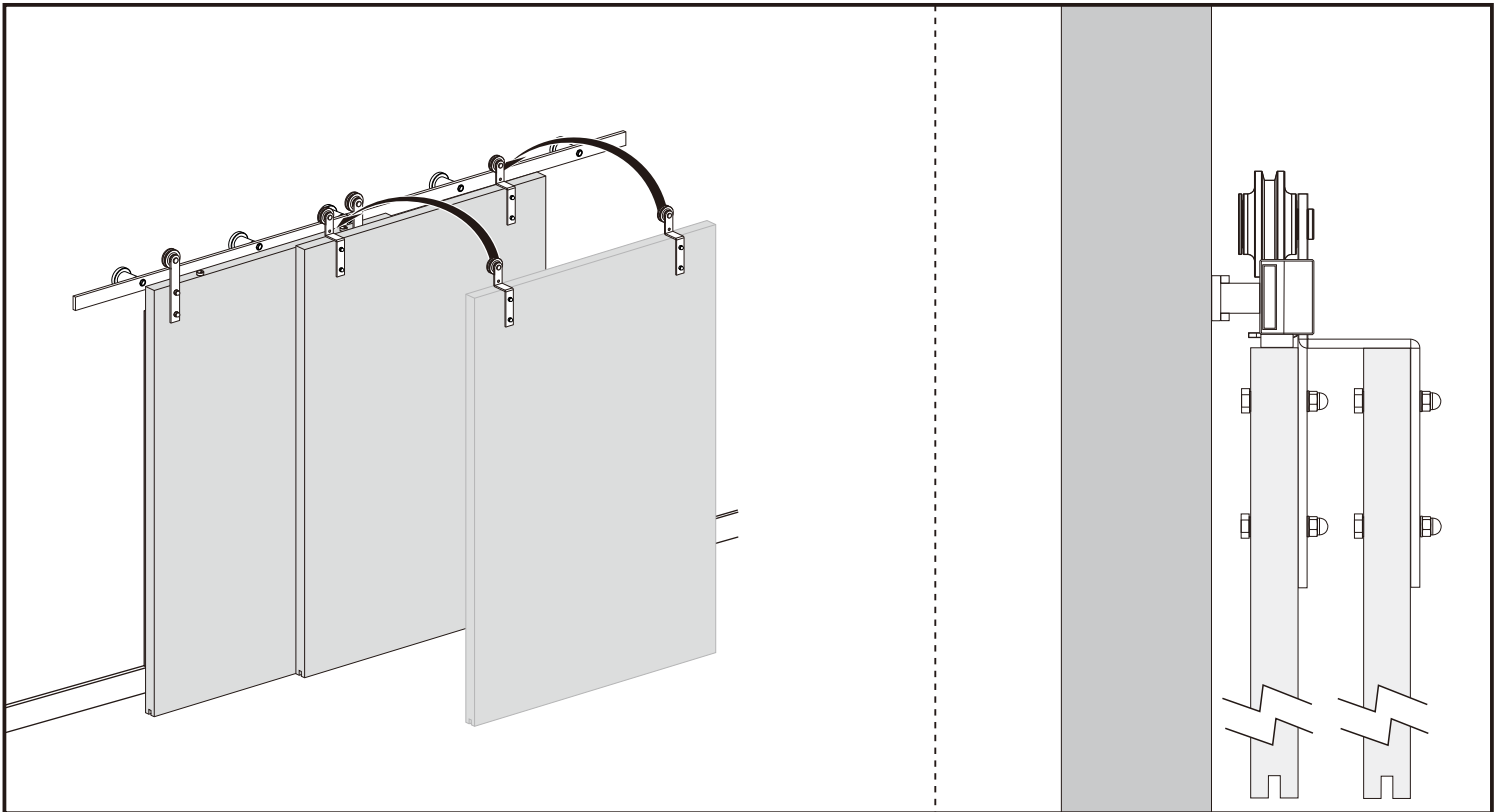
BARN DOOR HARDWARE KIT
TSQ25BK-6FT-BP
INSTALLATION GUIDE

Step 9. Door Preparation-Anti-jump block Installation

Position each anti-jump block at least 1" from the edge of the Straps. Tighten slightly to secure in place.



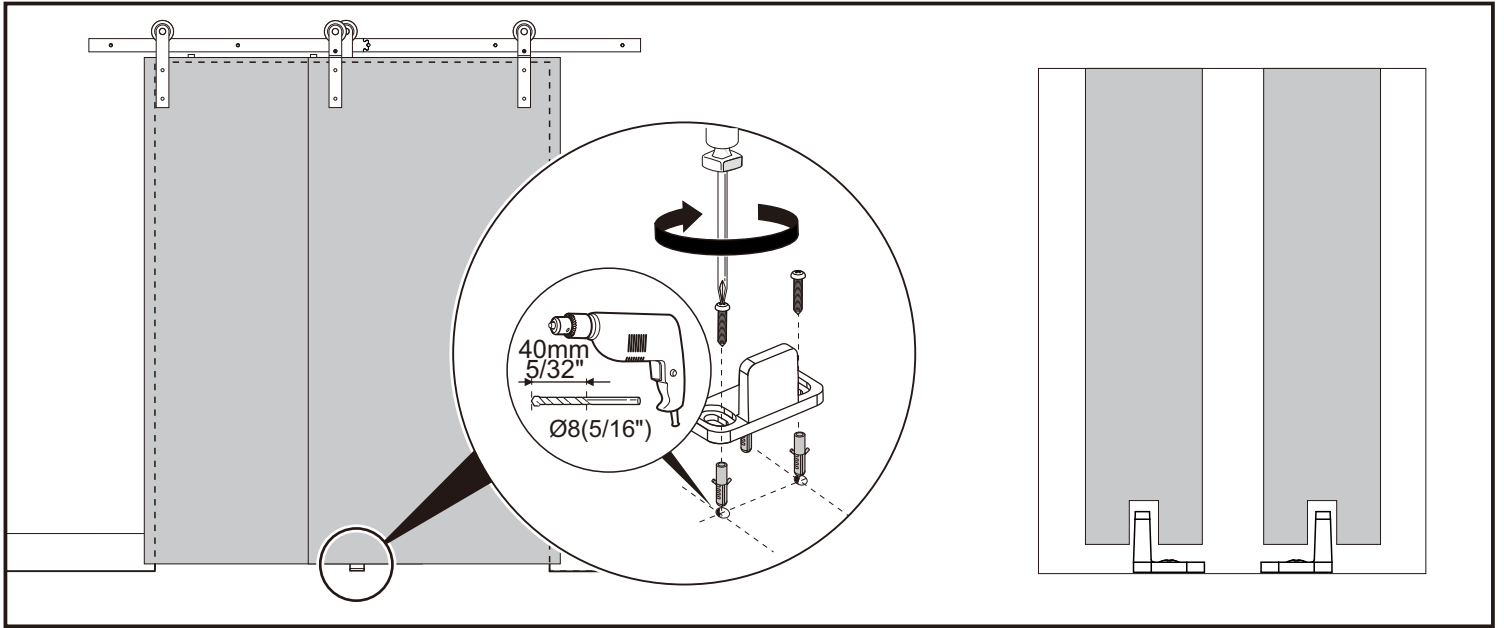
Step 10. Install another door with hanging wheels on the rail



BARN DOOR HARDWARE KIT
TSQ25BK-6FT-BP
INSTALLATION GUIDE

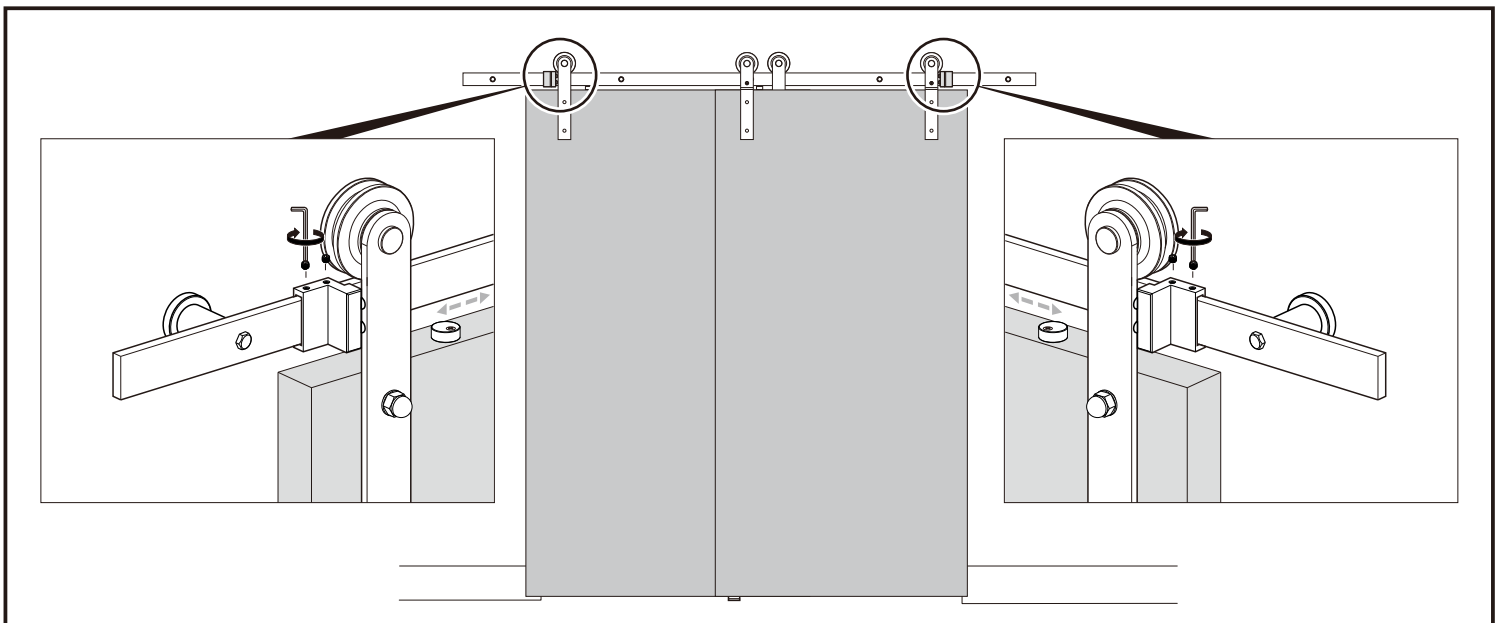
Step 11. Door Preparation-Anti-jump block Installation

Position each anti-jump block at least 1" from the edge of the Straps. Tighten slightly to secure in place.



Step 12. Stopper Installation

Slide the door closed and to correct position of both stoppers. Using the provided Allen key, tighten into position to complete the installation of the Barn Door Kit.



BARN DOOR HARDWARE KIT
TSQ25BK-6FT-BP
INSTALLATION GUIDE

Step 13. Install the anti-jump on the hanging wheel

