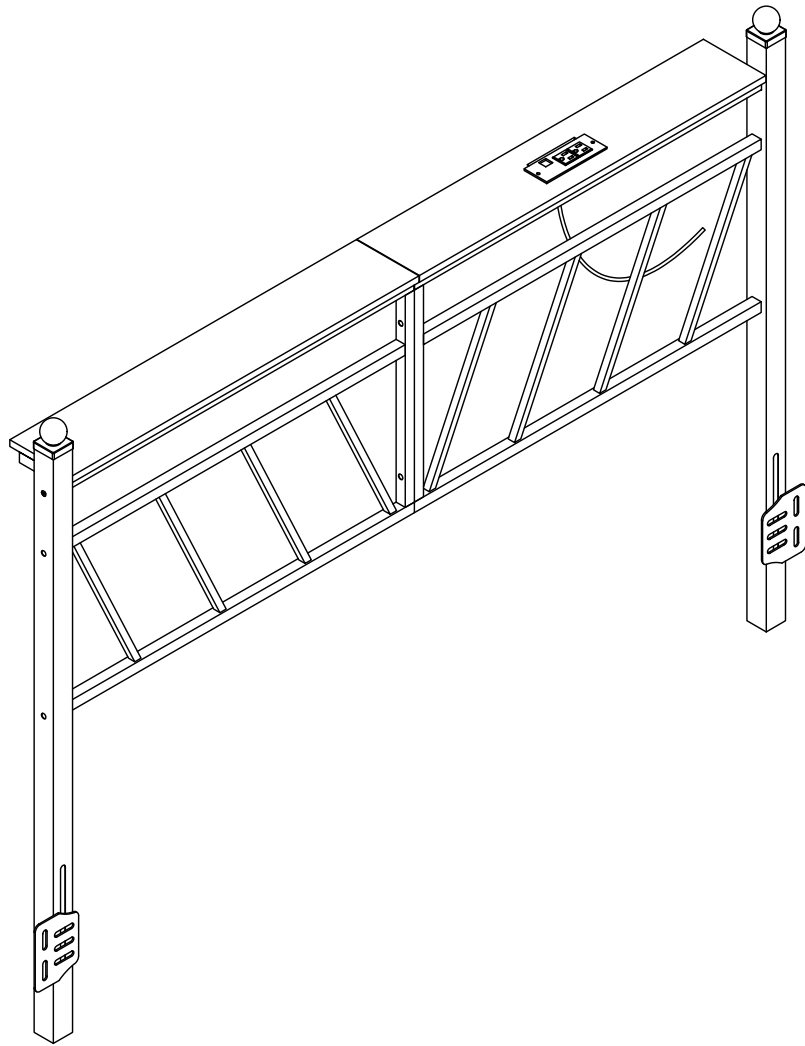
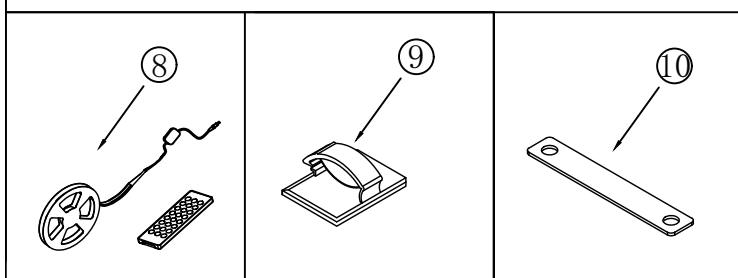
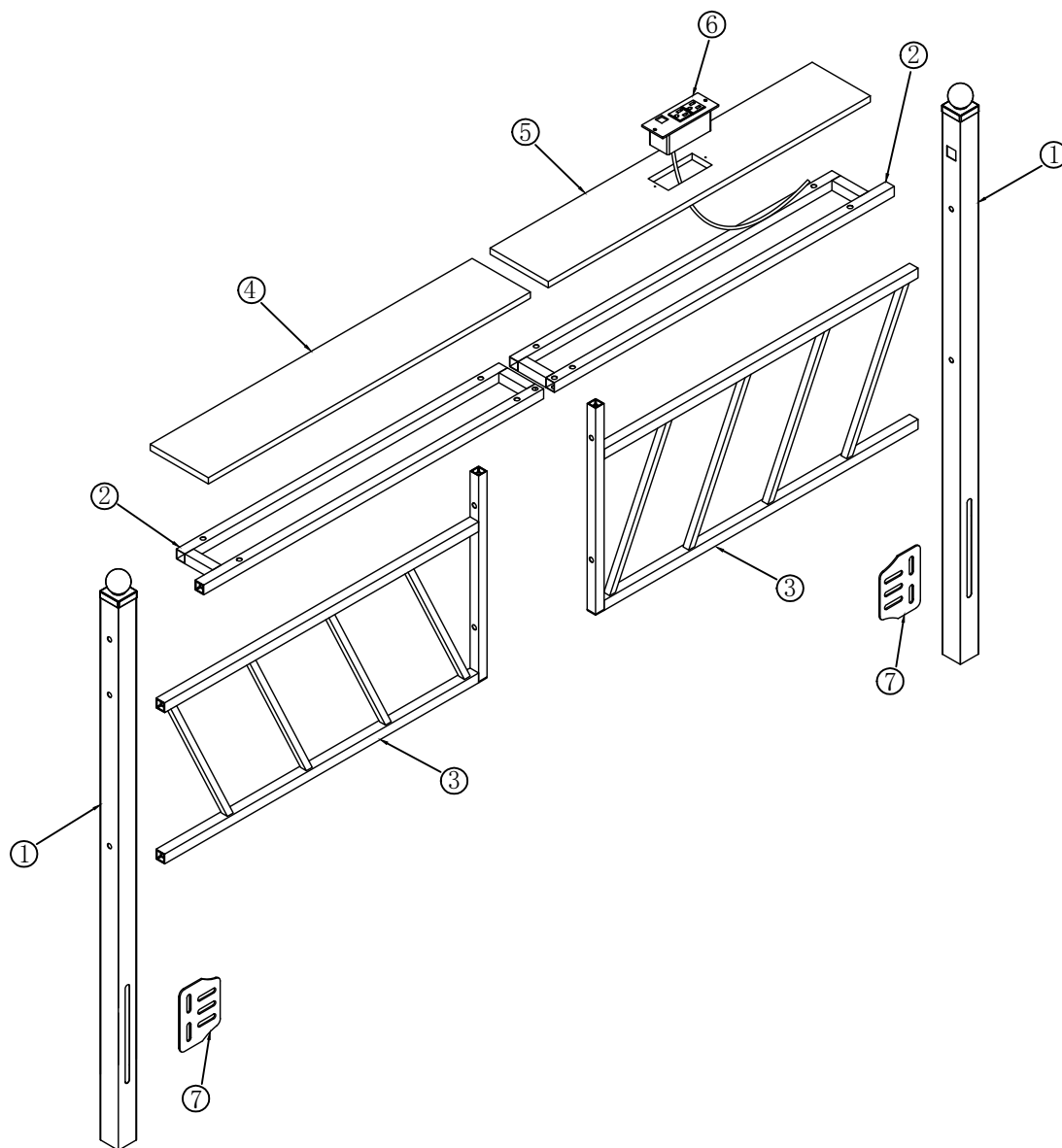
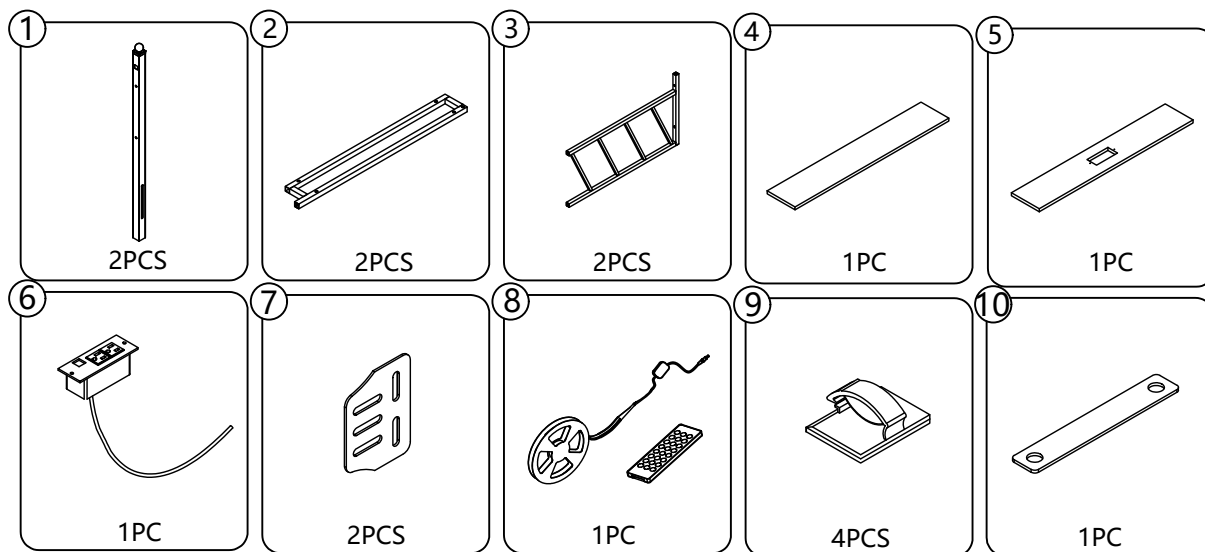


ASSEMBLY INSTRUCTIONS

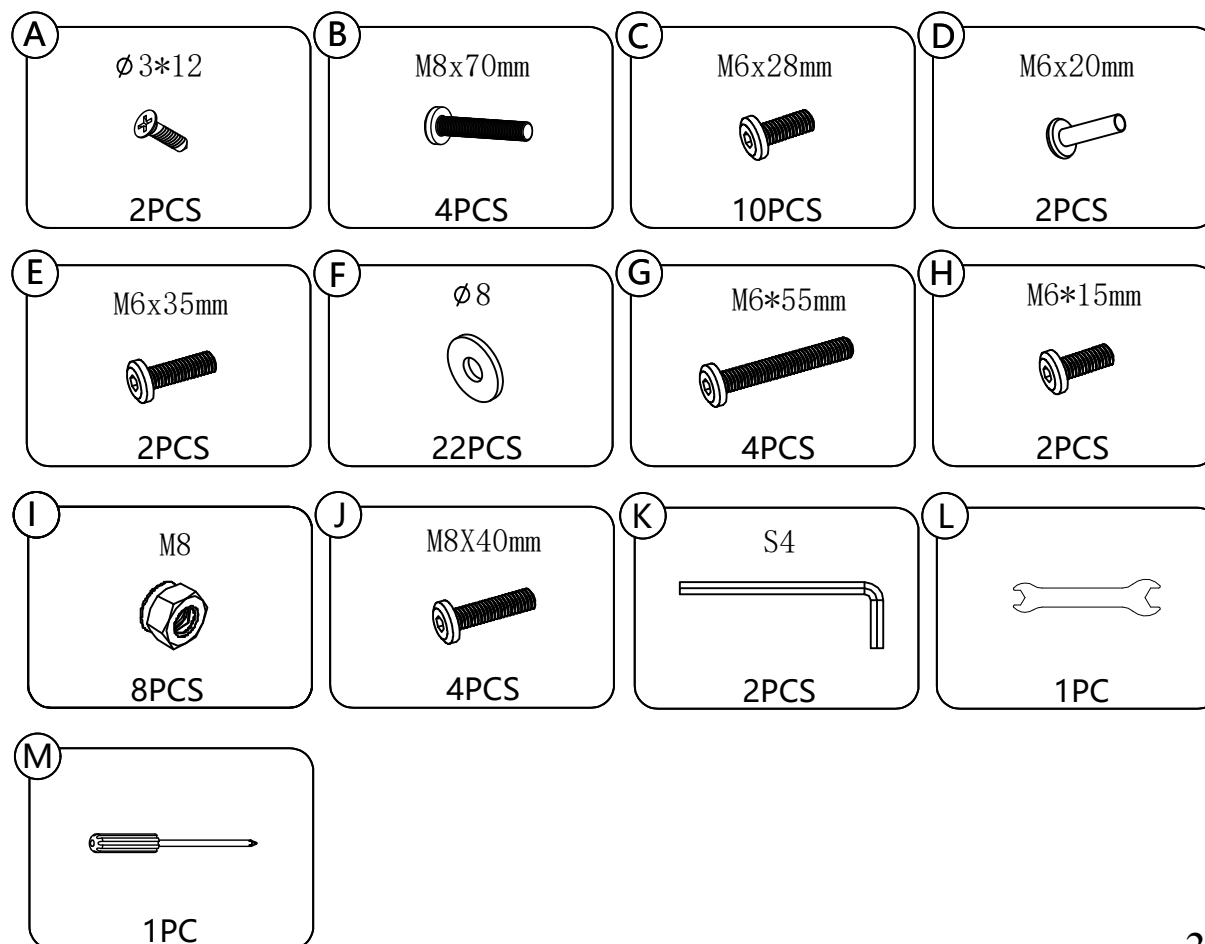




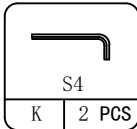
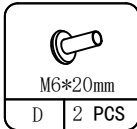
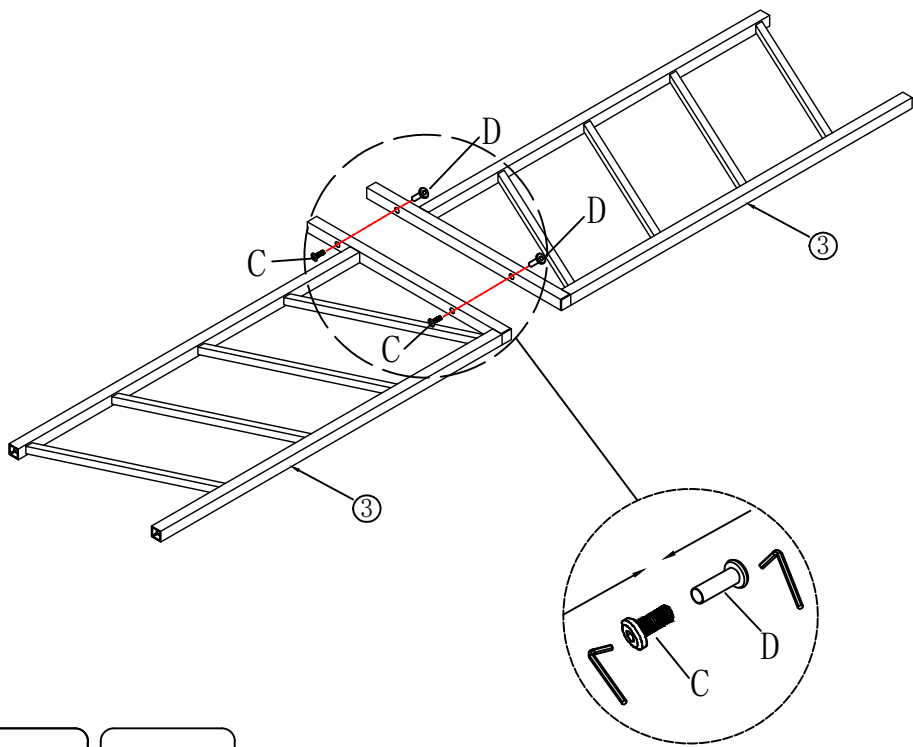
Parts List



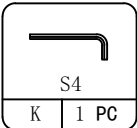
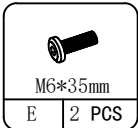
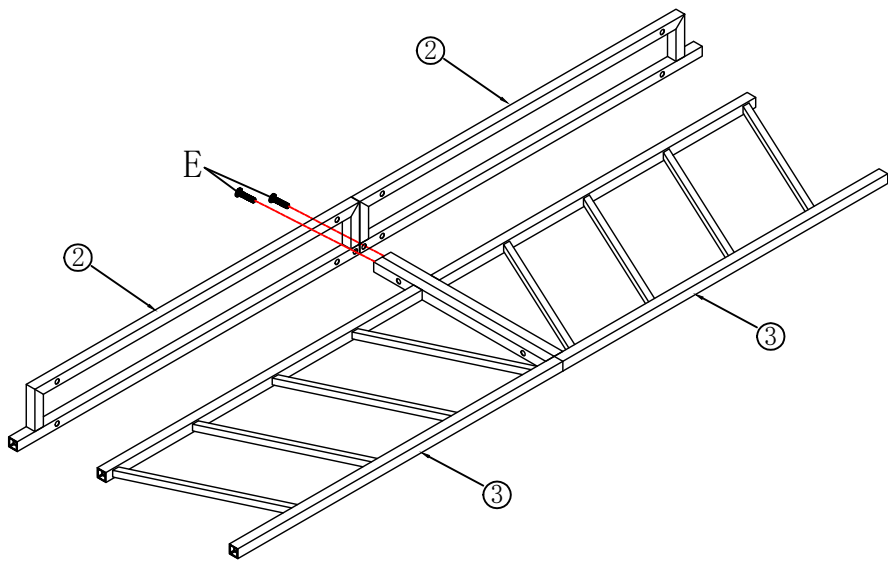
Hardware List

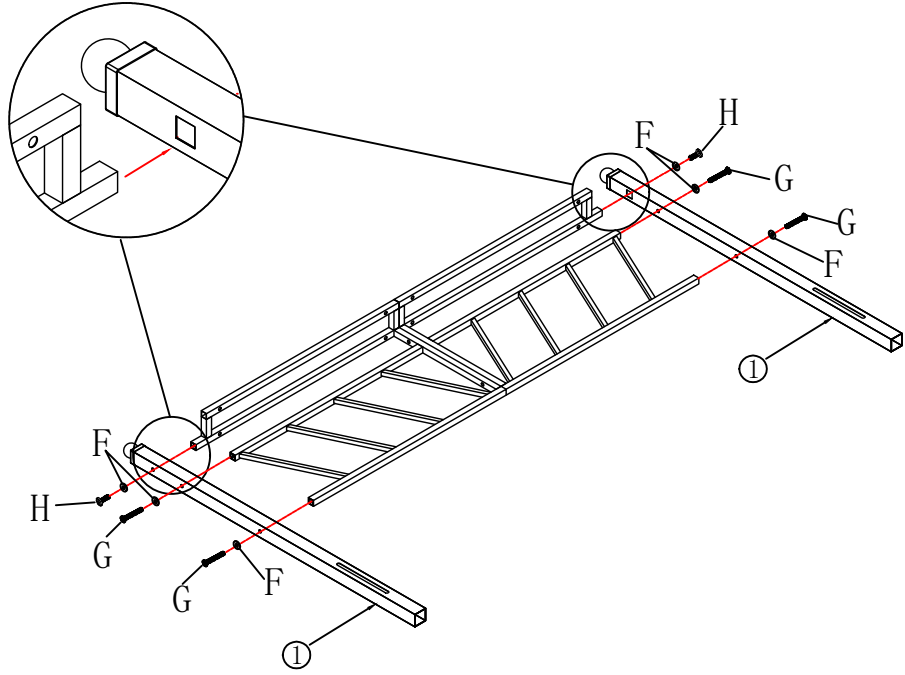






1



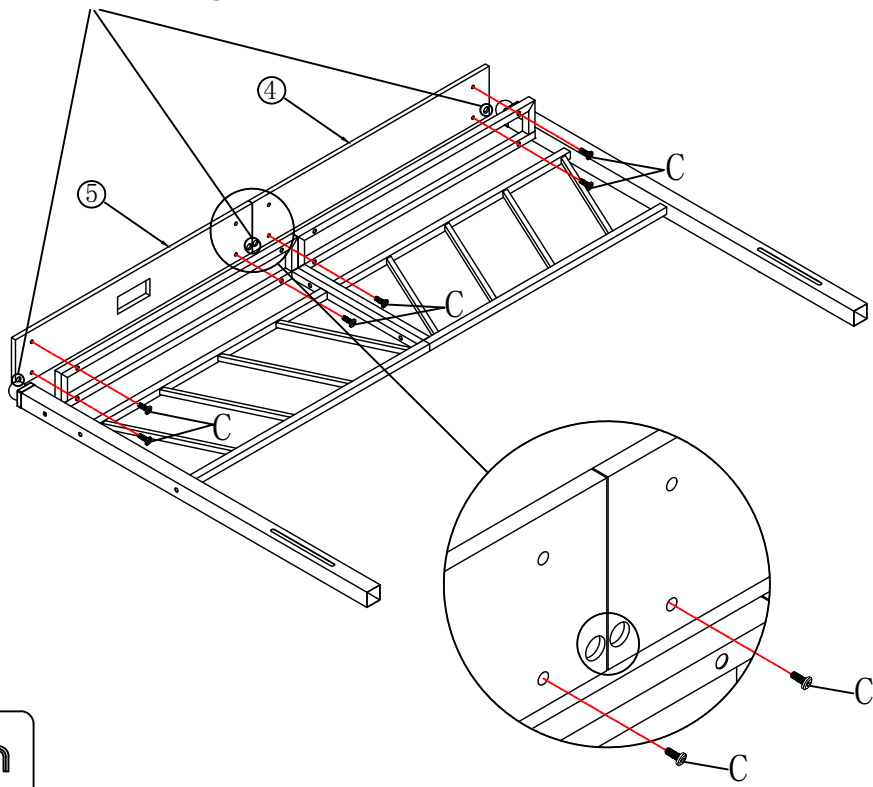
2





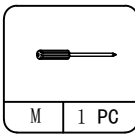
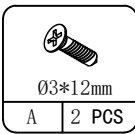
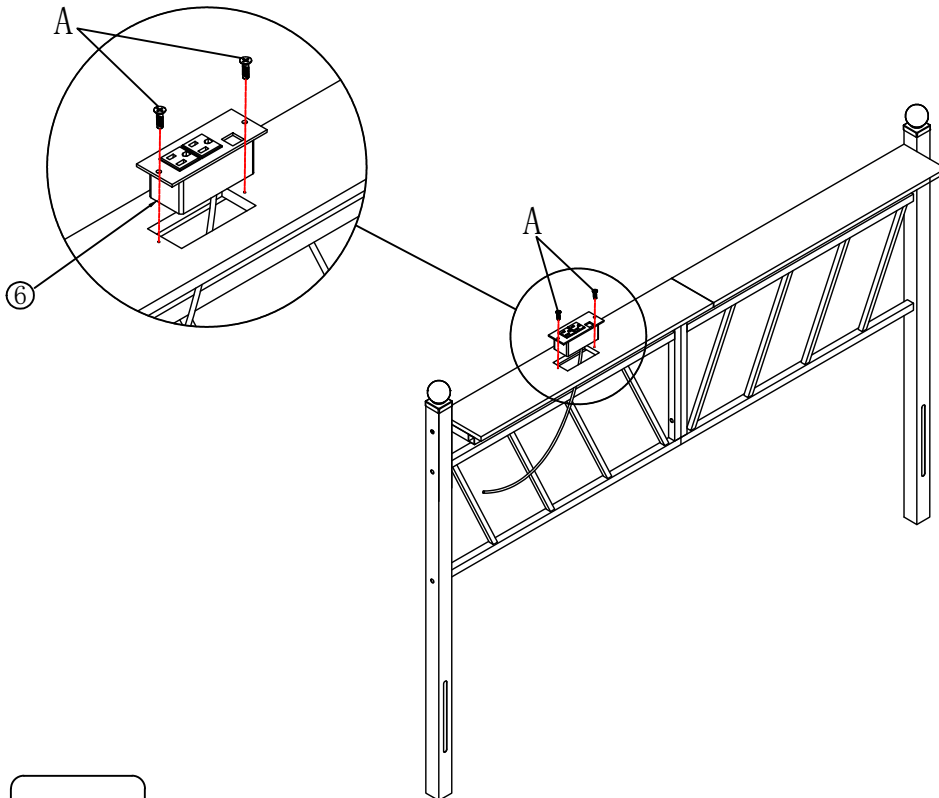
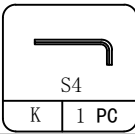
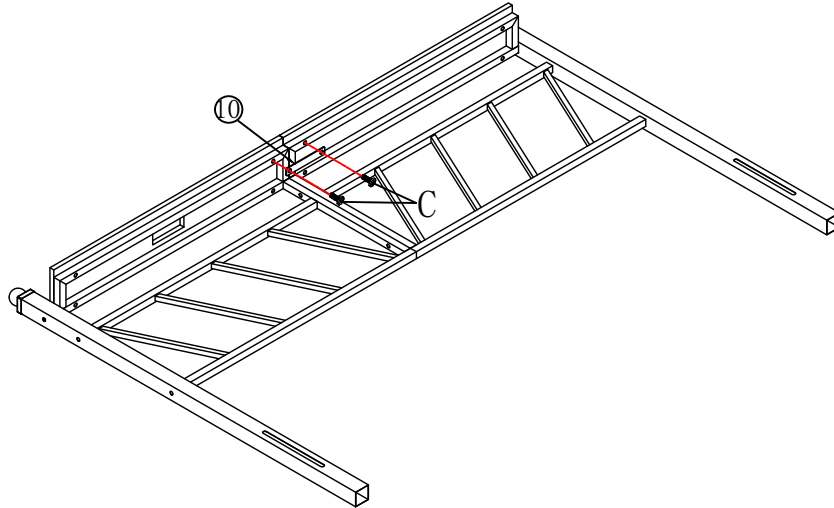


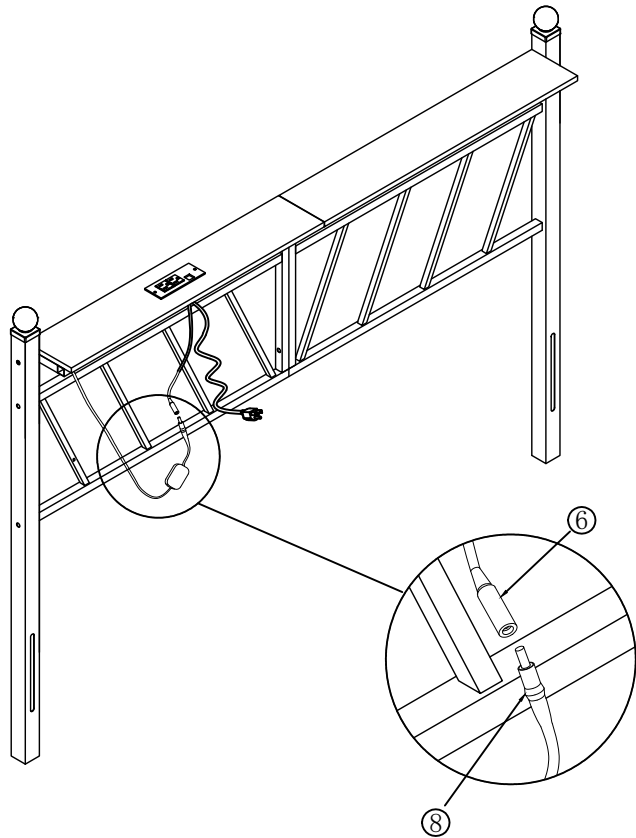
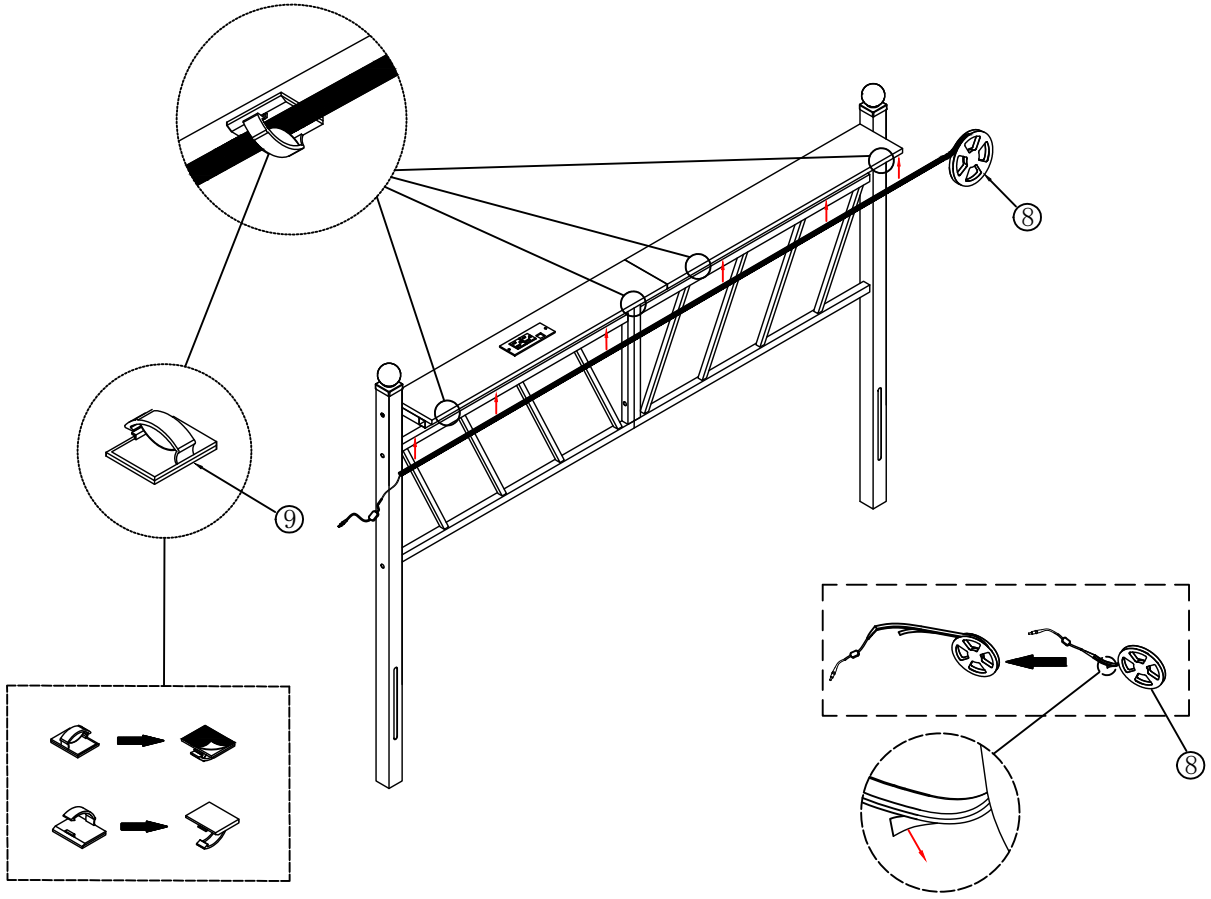
			
M6*15mm	M6*55mm	Ø8	S4
H 2 PCS	G 4 PCS	F 6 PCS	K 1 PC

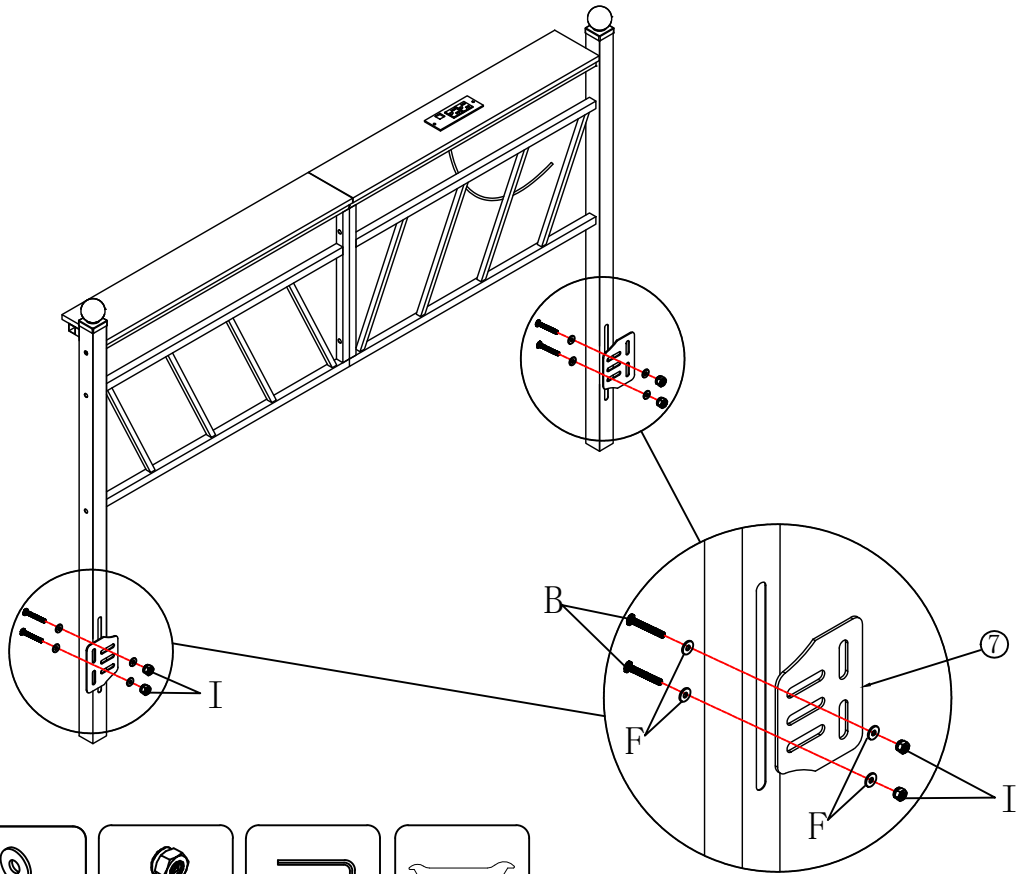
The large hole is facing down





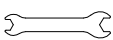


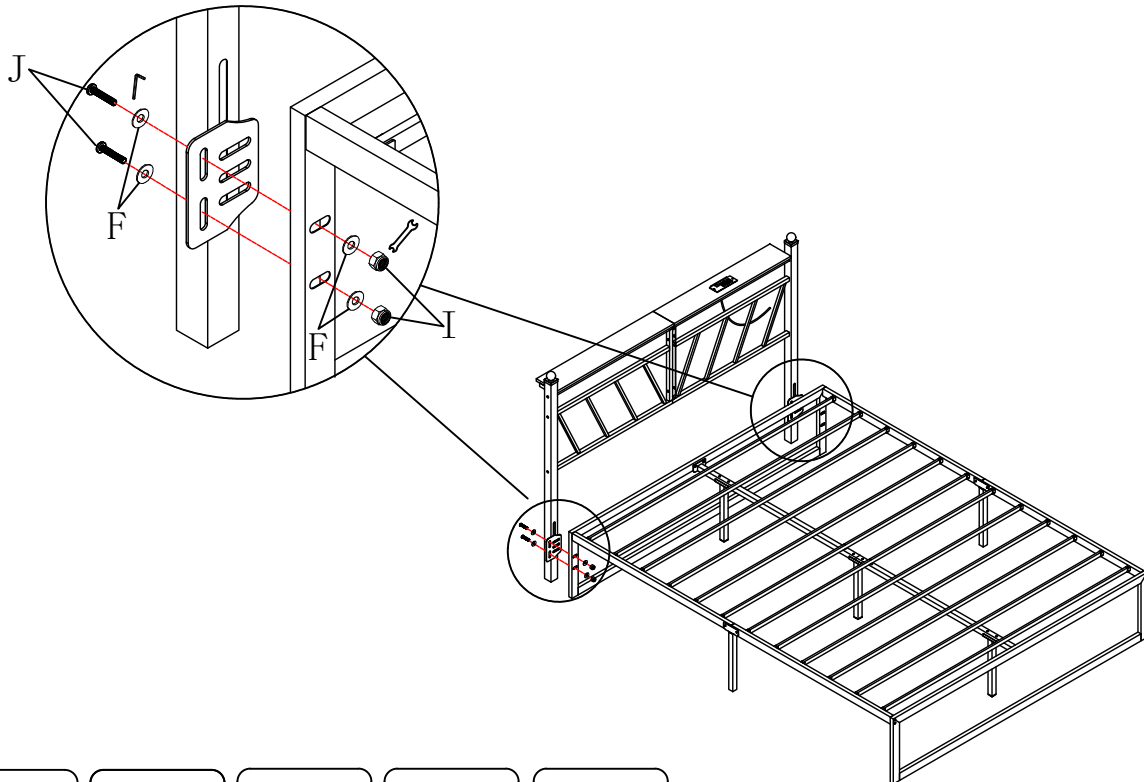
	
M6*28mm	S4
C 6 PCS	K 1 PC





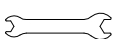






				
M8*70mm	Ø8	M8	S4	
B 4 PCS	F 8 PCS	I 4 PCS	K 1 PC	L 1 PC



				
M8*40mm	Ø8	M8	S4	
J 4 PCS	F 8 PCS	I 4 PCS	K 1 PC	L 1 PC

