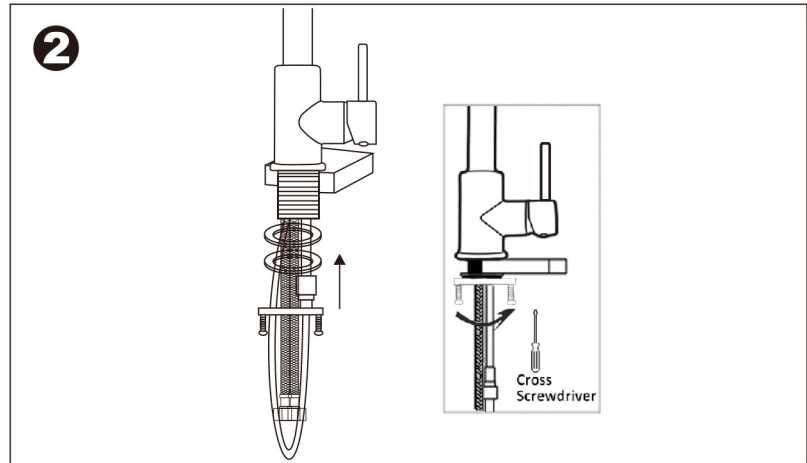


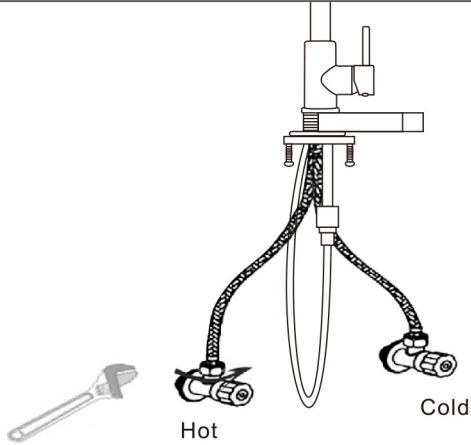
1. Take the faucet out of the box and screw out the rubber gasket, steel gasket and nut we have installed beforehand, cross all hoses through the sink hole.



2. Place rubber gasket, steel gasket and nut in turn. Screw the nut onto thread and tighten it counter-clockwise, then tighten two screws securely.

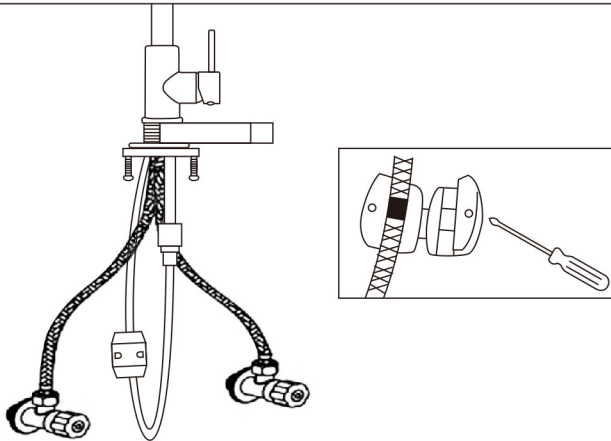
Dear customers,
Thank you very much for choosing Tohlar product.
Please follow the Tohlar service team to complete the installation. Of course,
you can also go to Amazon Tohlar's products to watch the installation video.

3



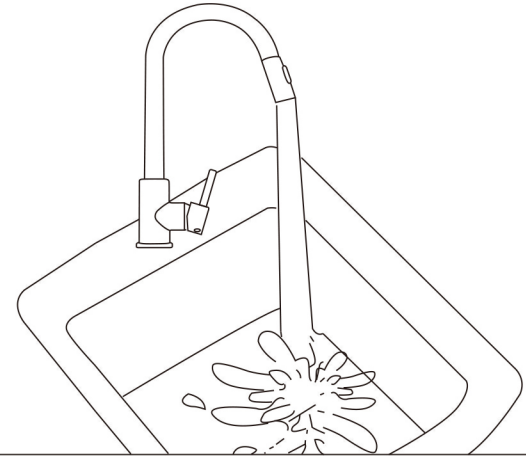
3. Tighten hose to angle valve by wrench. Connect the red hose to the hot water and the blue hose to the cold water. Our hoses are 3/8 nuts, also we have two 1/2 nuts and rubber gaskets in our packing for your use.

4



4. Open the weight, place it in the "Weight here" position and tighten the screws.

5



5. Open the Angle valves and handle , check for leaks. If all goes well, congratulations, the installation is complete.

Congratulations on your completion of this installation, wish you a pleasant experience, we sincerely invite you to give our product the most sincere evaluation, in all the installation and use process, you can contact our service team if you have any questions.

Tohlar Service Team