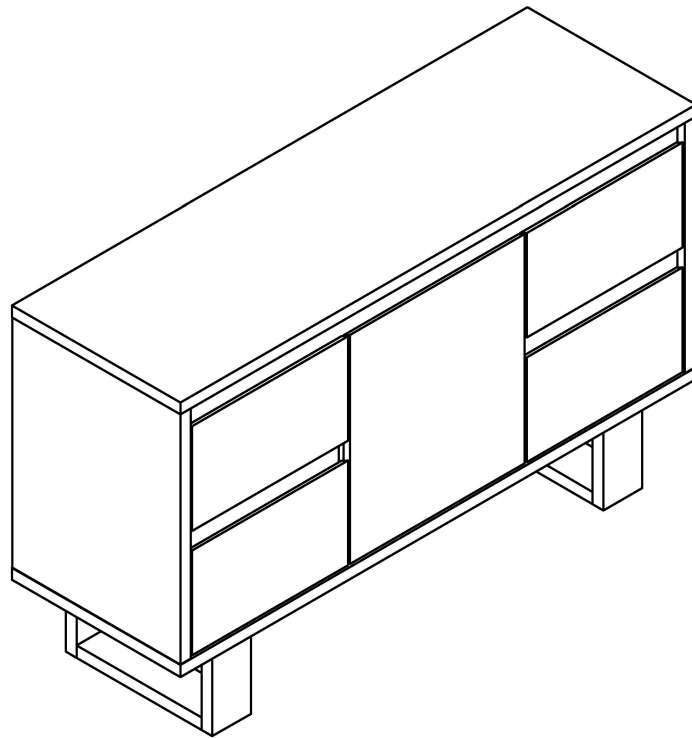


# ASSEMBLY INSTRUCTION

---



# ASSEMBLY INSTRUCTION

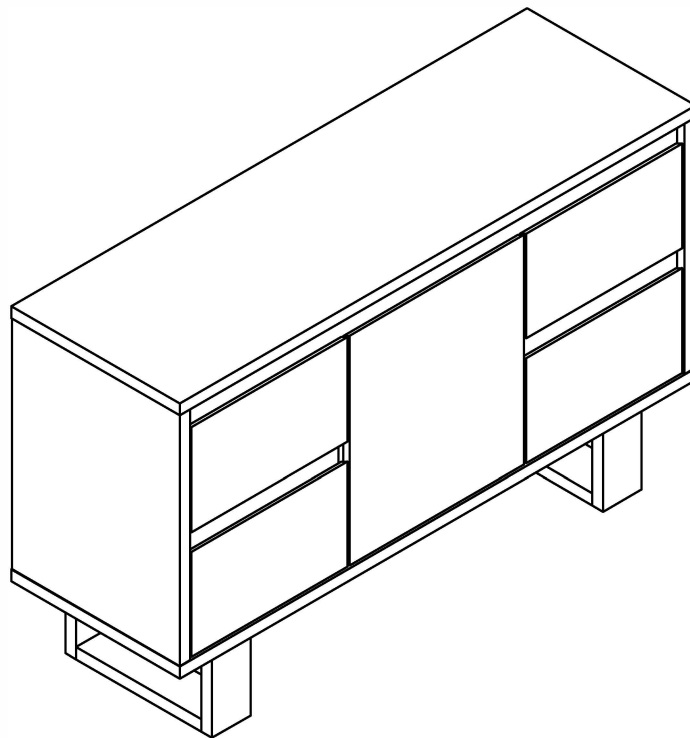
---

## **PLEASE READ BEFORE ASSEMBLING!**

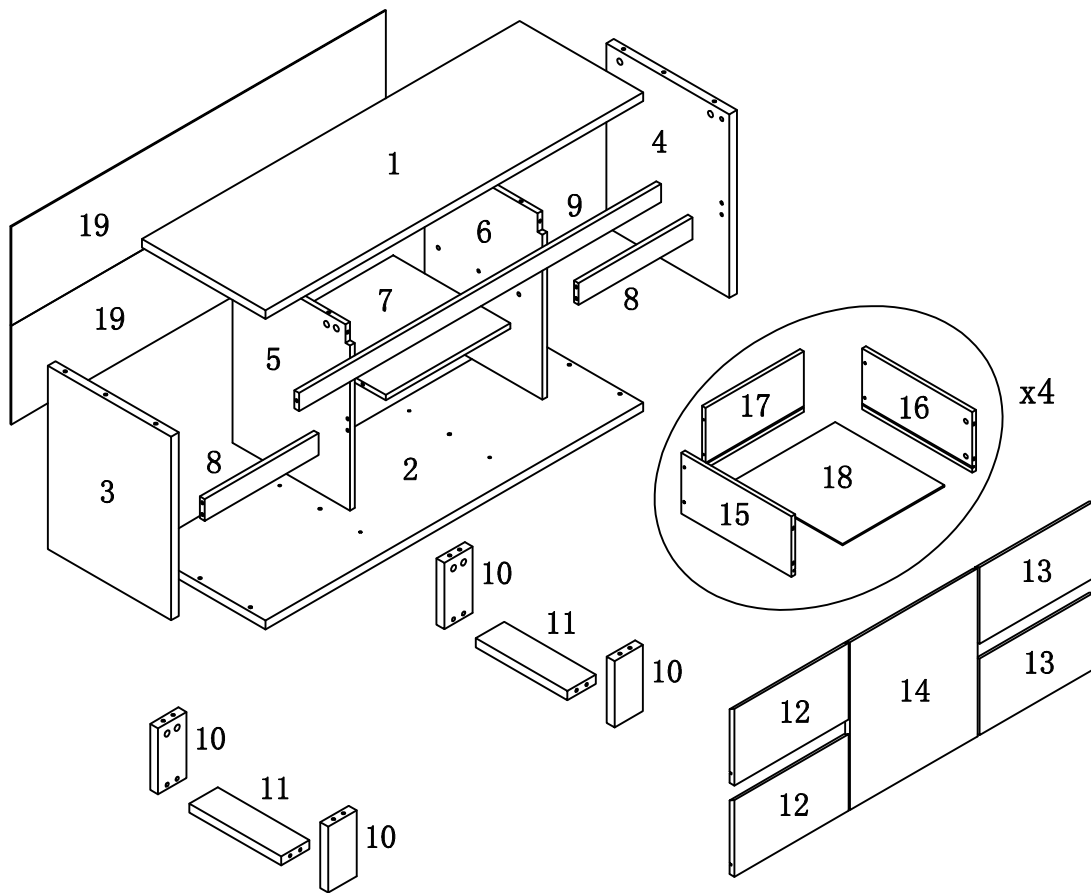
Tip #1: Make sure you've taken all the pieces and hardware out of its packaging before discarding the box. Assembly on top of flattened box/blanket is recommended.

Tip #2: Using page 2 and/or page 3 of instruction manual make sure all pieces and hardware are accounted for.

Tip #3: Note position of all holes on each panel during assembly.



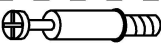


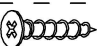
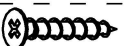
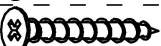








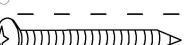

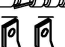


# PARTS IDENTIFICATION

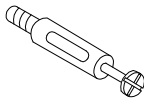

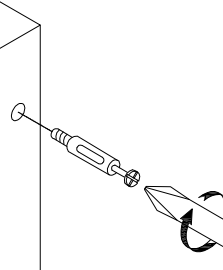
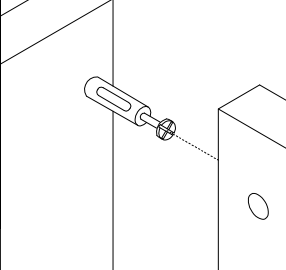
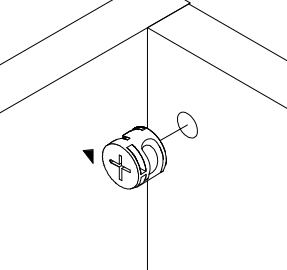
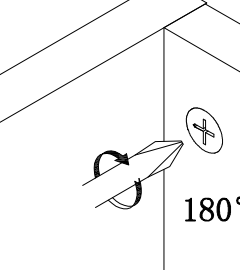


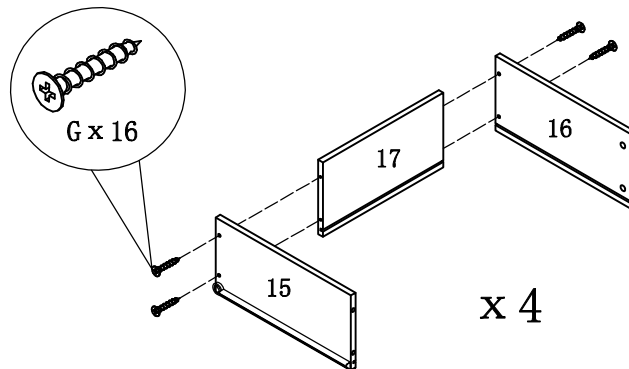
(1)	1pc	(8)	2pcs	(15)	4pcs
(2)	1pc	(9)	1pc	(16)	4pcs
(3)	1pc	(10)	4pcs	(17)	4pcs
(4)	1pc	(11)	2pcs	(18)	4pcs
(5)	1pc	(12)	2pcs	(19)	2pcs
(6)	1pc	(13)	2pcs		
(7)	1pc	(14)	1pc		

# HARDWARE IDENTIFICATION

A		L29	32pcs
B		∅15	32pcs
C		L20	16pcs
D		∅12	16pcs
E		∅8x25	18pcs
F		∅4x16	8pcs
G		∅4x30	16pcs
H		∅4x45	4pcs
I			2pcs
J		∅16x∅8x2	4pcs
K		∅7x48	4pcs
L			24pcs
M		∅22	8pcs
N		∅16	4pcs
O		197×5×1	1pc
P		∅4x25	1pc
Q		∅5x40	1pc
R		∅8 x 40	1pc
S		12×12×1	2pcs

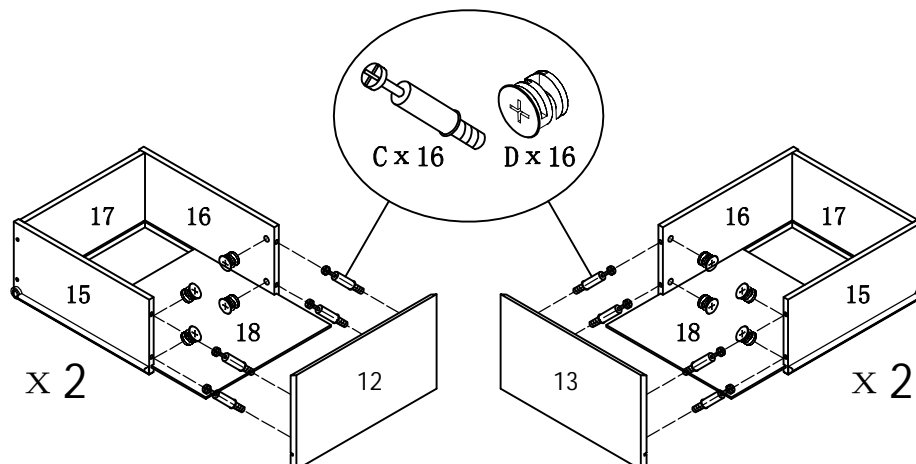
# ASSEMBLY INSTRUCTION

HOW TO	1	2	3	4
 Cam Bolt   Cam Lock				 180°
	1. Screw Cam Bolt into panel.	2. Insert Cam Bolt into bolt hole of joining panel.	3. Insert Cam Lock. arrow facing bolt.	4. Gently turn Cam Lock clockwise to lock position.



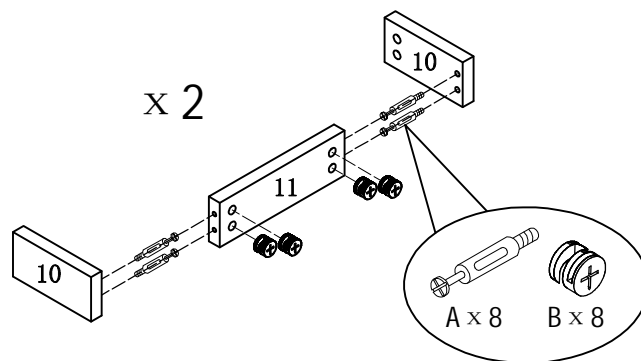
## STEP 1

## STEP 2



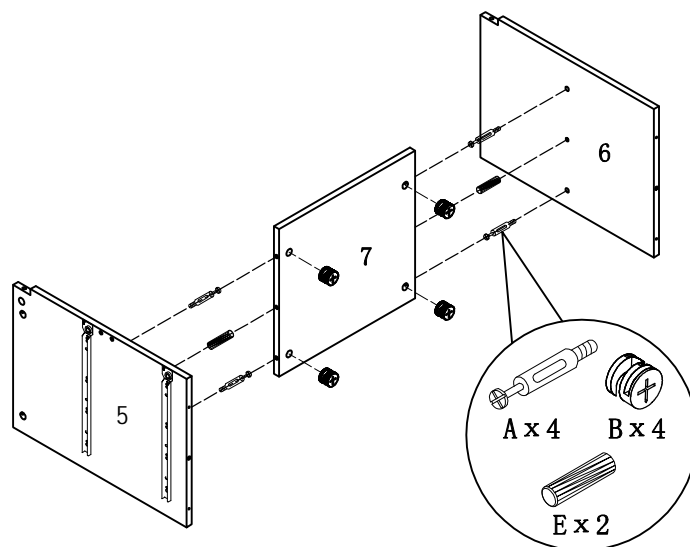
# ASSEMBLY INSTRUCTION

---

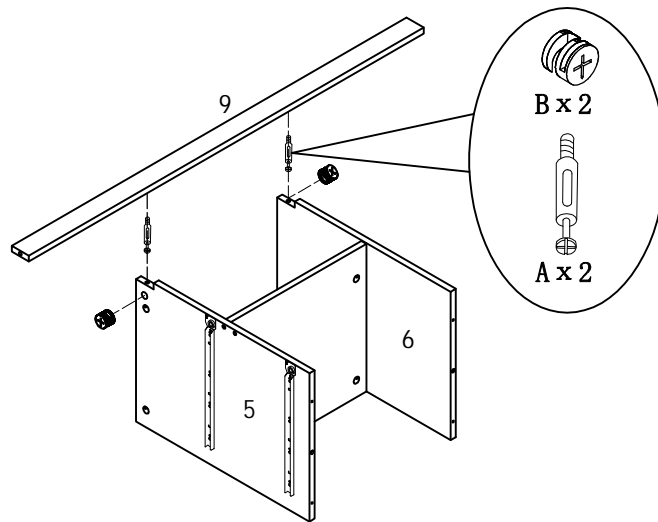


STEP3

STEP4

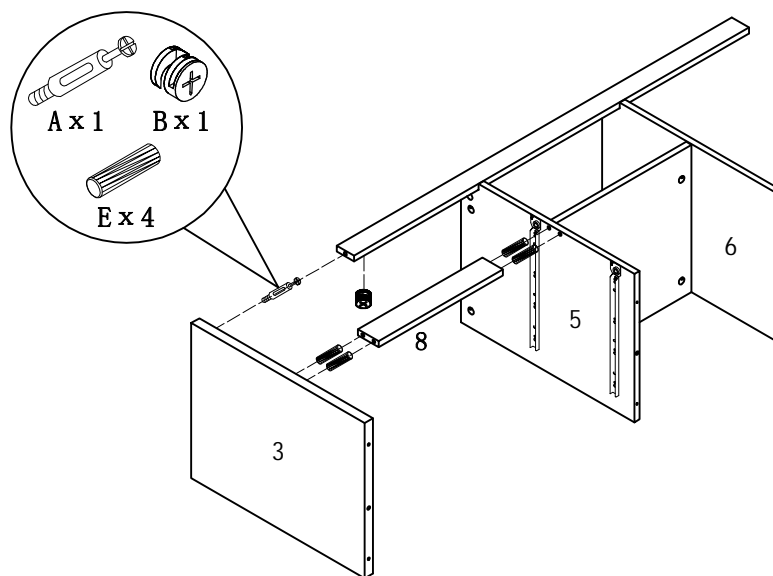


# ASSEMBLY INSTRUCTION

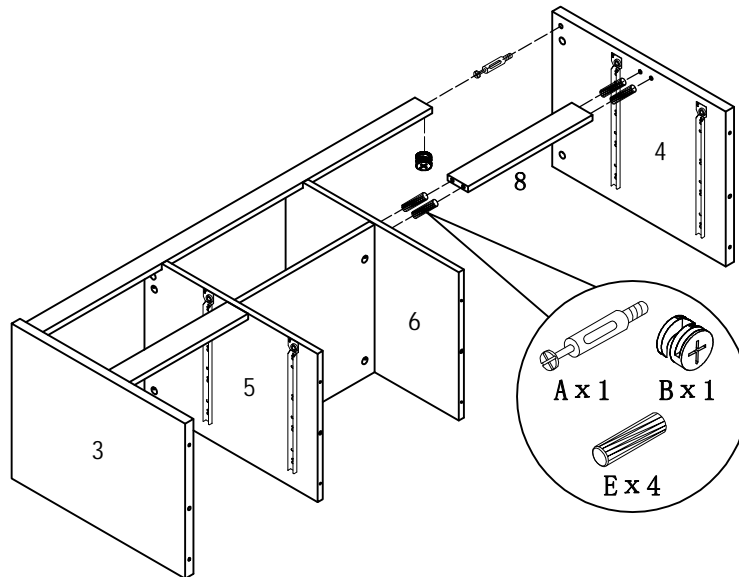


STEP5

STEP6

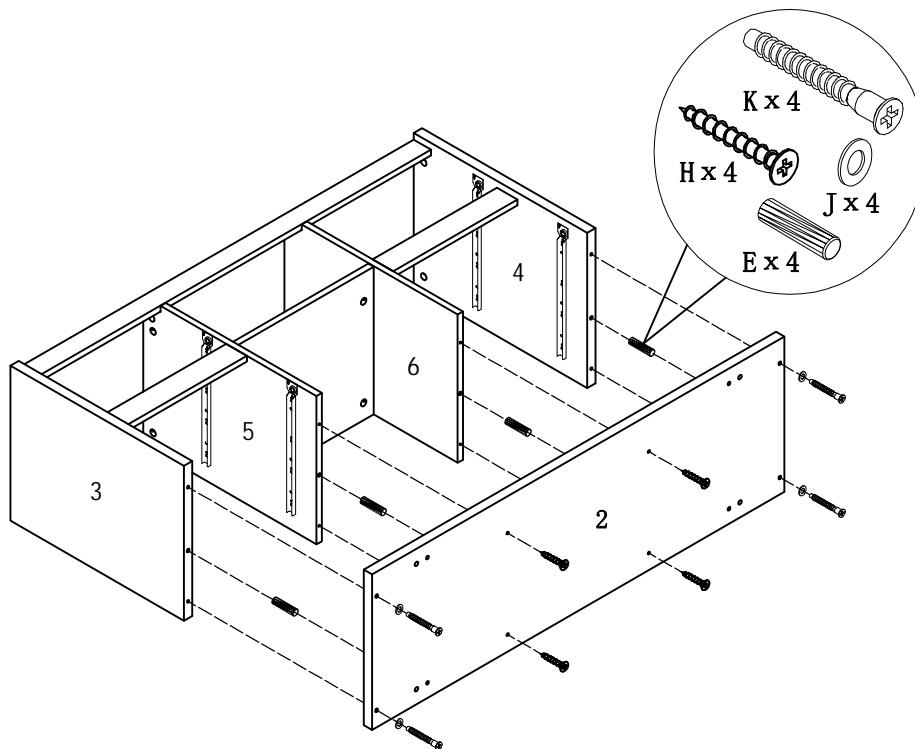


# ASSEMBLY INSTRUCTION

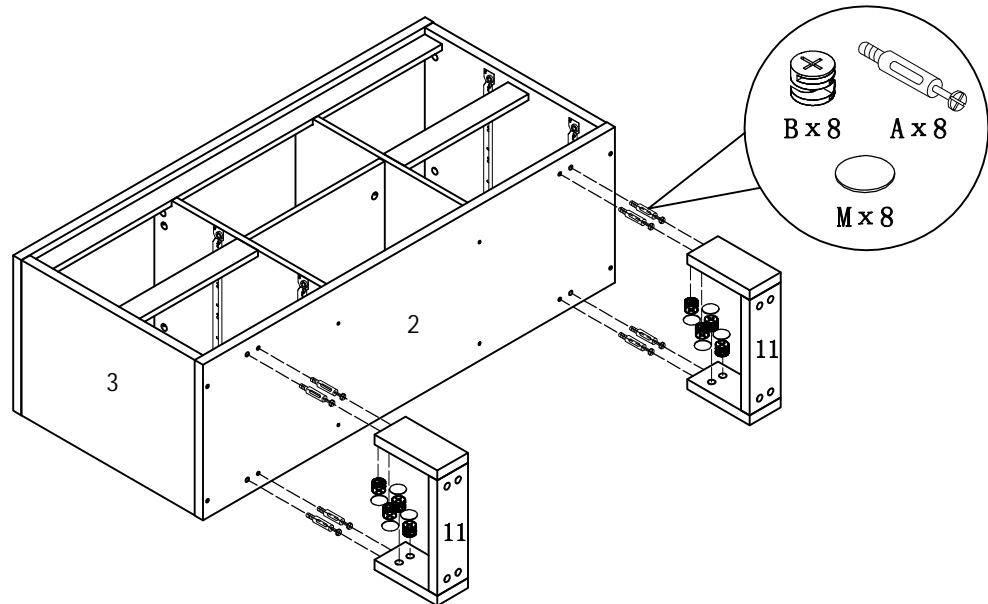


STEP 7

STEP 8

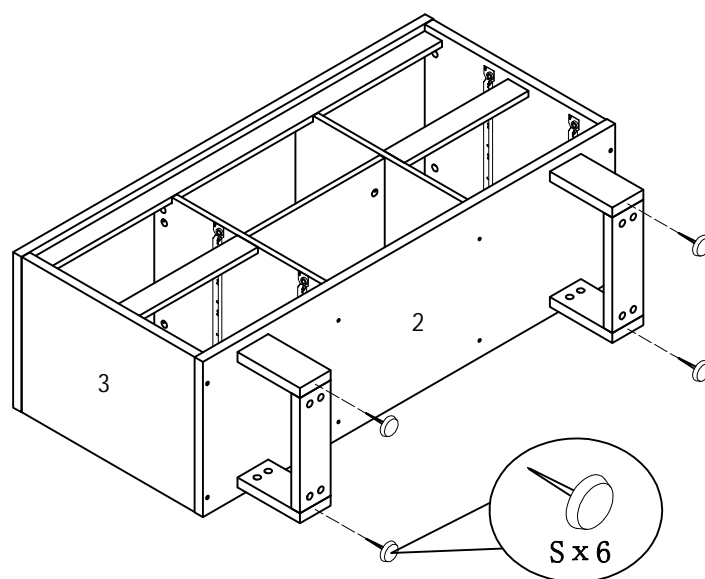


# ASSEMBLY INSTRUCTION

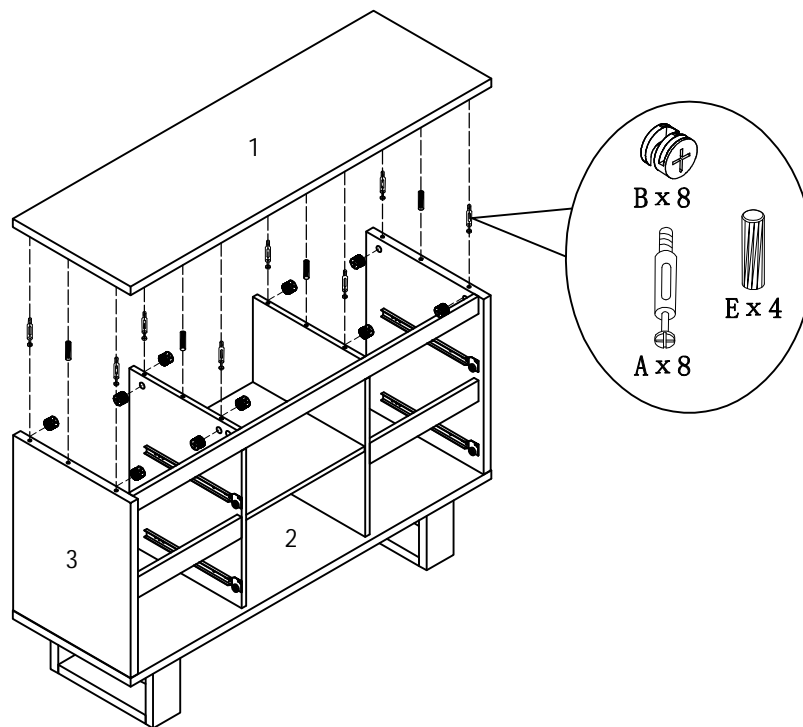


STEP9

STEP10

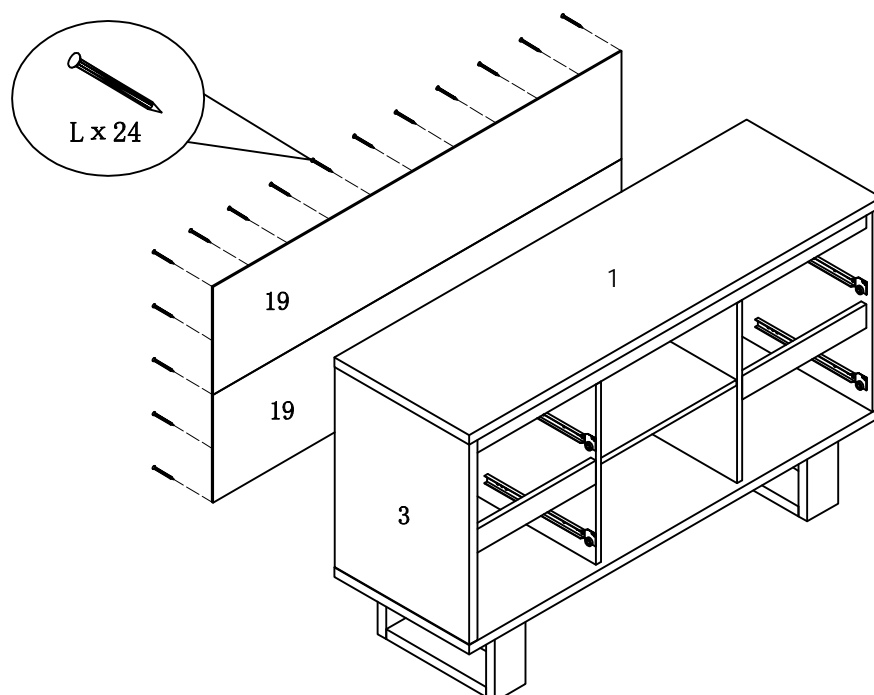


# ASSEMBLY INSTRUCTION

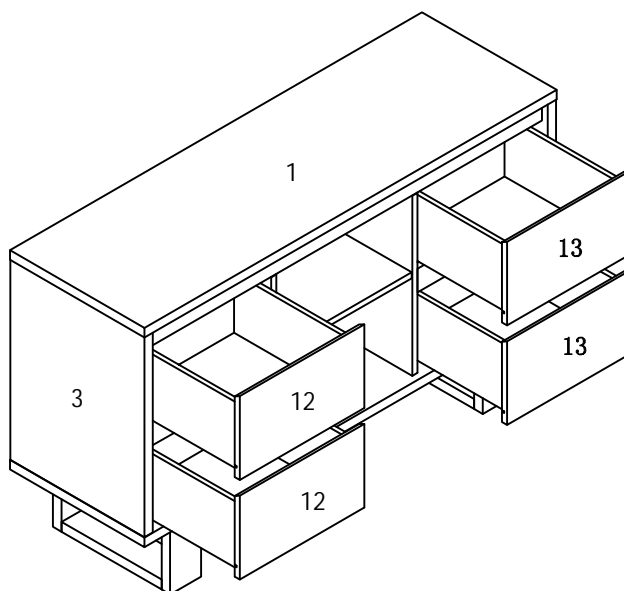


STEP11

STEP12

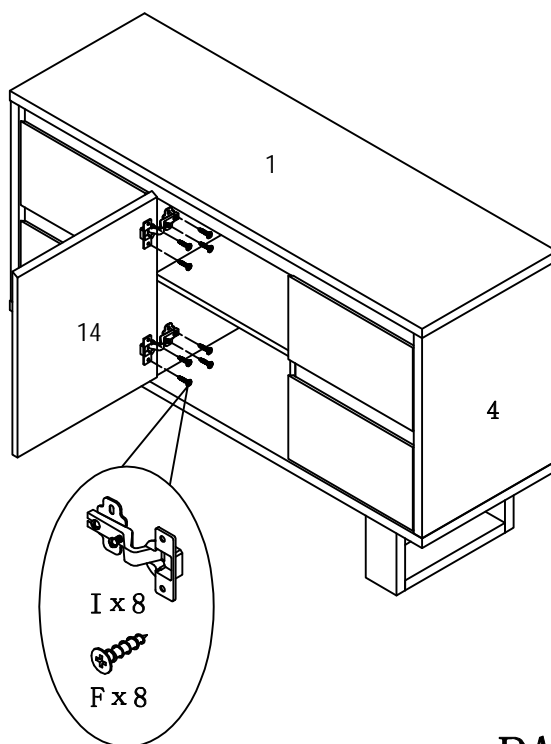


# ASSEMBLY INSTRUCTION



STEP13

STEP14



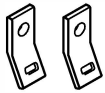
# ANTI-TIPPING STRAP INSTRUCTION

## HARDWARE (INCLUDED) :

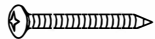
## TOOLS NEEDED ( NOT INCLUDED) :



DRYWALL ANCHOR  $\phi 8 \times 40$  X 1PC



METAL BRACKETS  $12 \times 12 \times 1$  X 2PCS



DRYWALL SCREW  $\phi 5 \times 40$  X 1PC



STRAP  $197 \times 5 \times 1$  X 1PC



FLATHEAD SCREW  $\phi 4 \times 25$  X 1PC



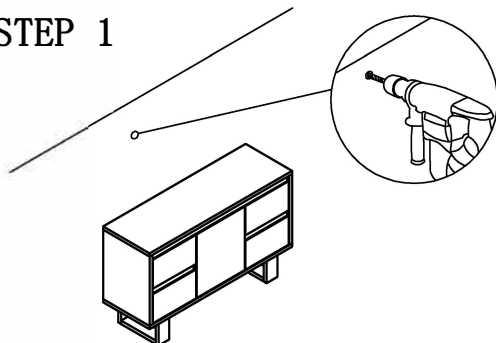
DRILL & DRILL BIT



LIGHT HAMMER

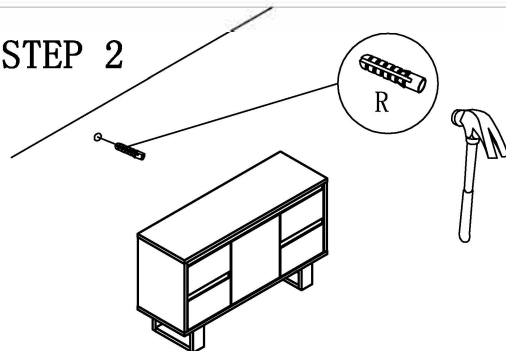
Note: Hardware included only compatible with standard drywalls.

### STEP 1



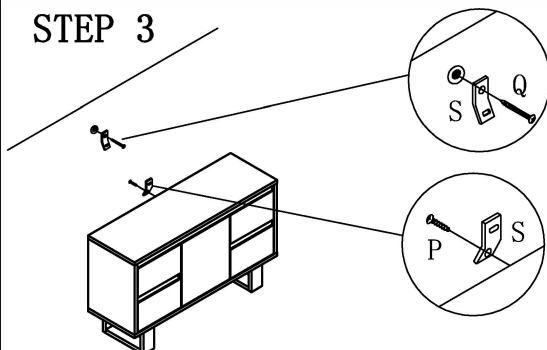
1. Find spot on wall 1" below top of item.
2. Using a drill bit slightly thinner than anchor, drill hole into drywall.

### STEP 2



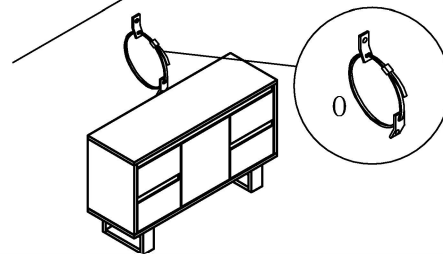
1. Use a light hammer to tap anchor into hole.
2. Anchor should fit snugly. If hole is too small, drill again to increase hole size. Do not force anchor into wall.

### STEP 3



1. Insert drywall screw into metal bracket and into drywall anchor.
2. Insert flathead screw into second metal bracket and into back of item, along top edge.

### STEP 4



1. Insert strap thru bracket attached to wall, then thru bracket on item, and into head of strap.
  2. pull lightly til strap stops.
- Assembly is complete.