




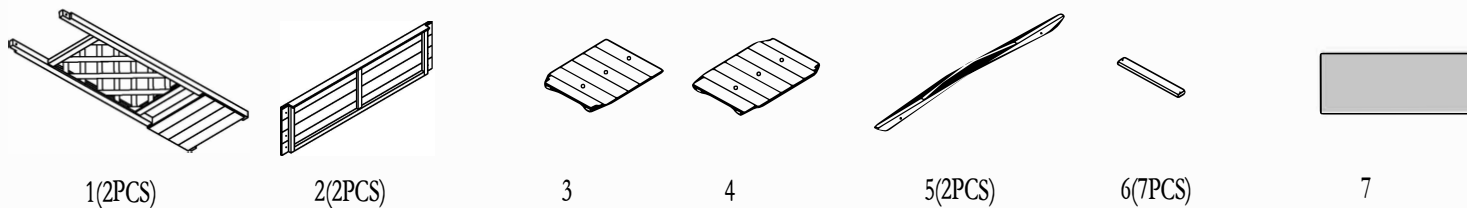


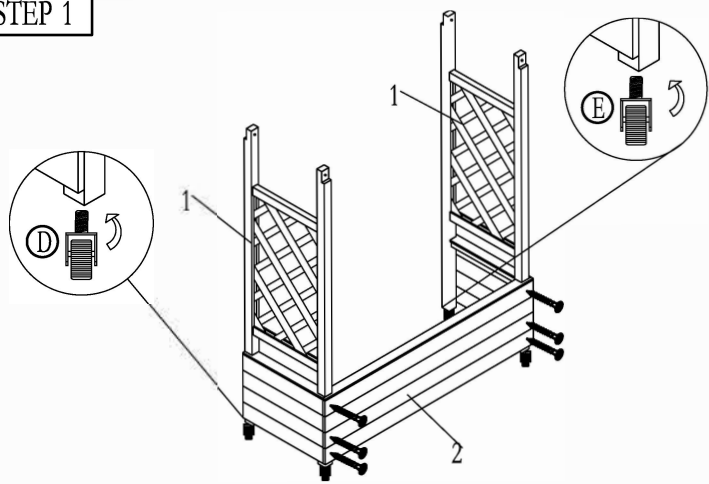
SCREWS:

- (A)  M6 x 50 4pcs
- (B)  Ø3.5 x 25 12+1pcs
- (C)  Ø30 x 30 14+1pcs

- (D)  2pcs
- (E)  2pcs

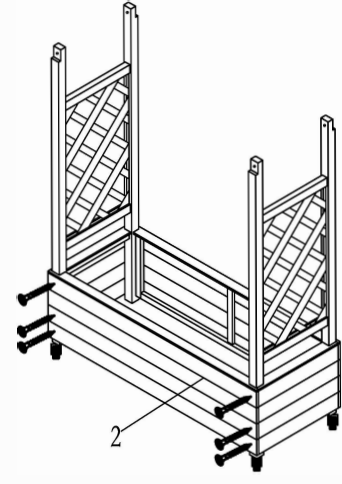


STEP 1



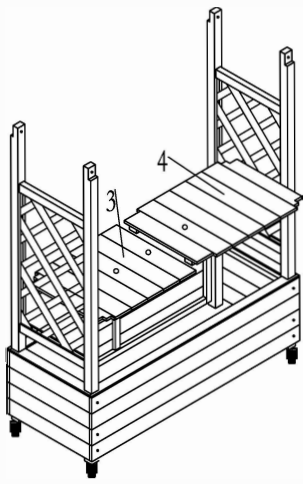
- (B)  Ø3.5 x 25 6pcs

STEP 2

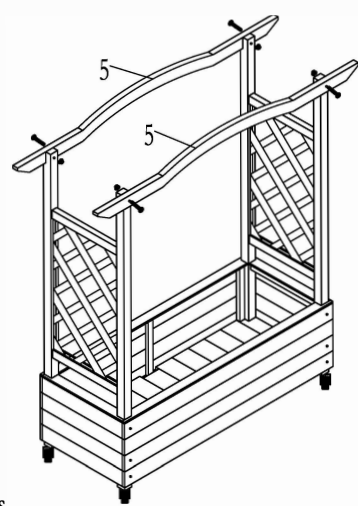



- (B)  Ø3.5 x 25 6pcs

STEP 3

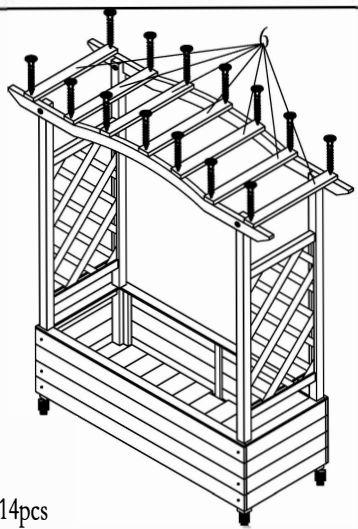



STEP 4



- (A)  M6 x 50 4pcs

STEP 5



- (C)  Ø30 x 30 14pcs

STEP 6

