

# ASSEMBLY INSTRUCTION

MODEL :

Cherry/Buttermilk DC Dining Chair

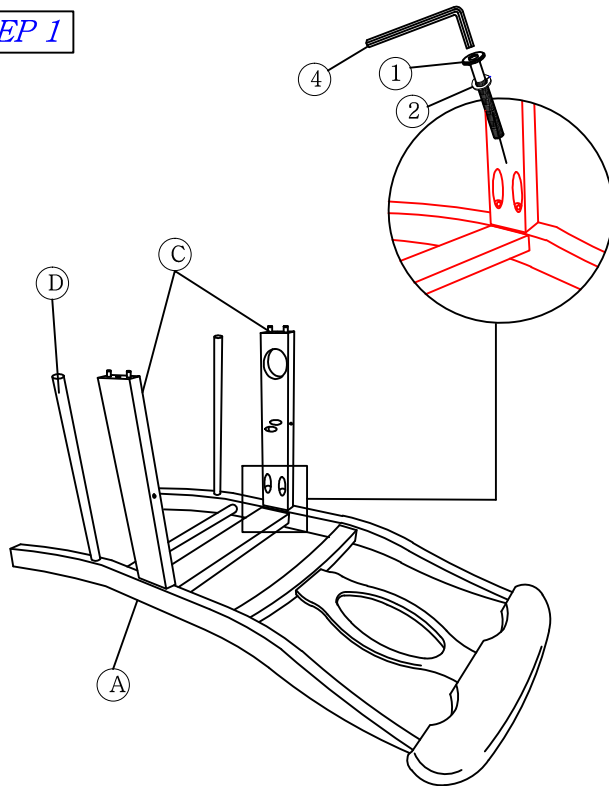
Read instruction carefully. Remove all wrapping material, staples and straps from the carton. See Hardware and Furniture Part List for guidance. Be sure you have all parts before you start assembling. Place all wooden furniture part on a clean and flat soft surface, such as carpet or rug to prevent from being scratched.

**CAUTION : KEEP ALL HARDWARE PARTS OUT OF REACH OF CHILDREN.**

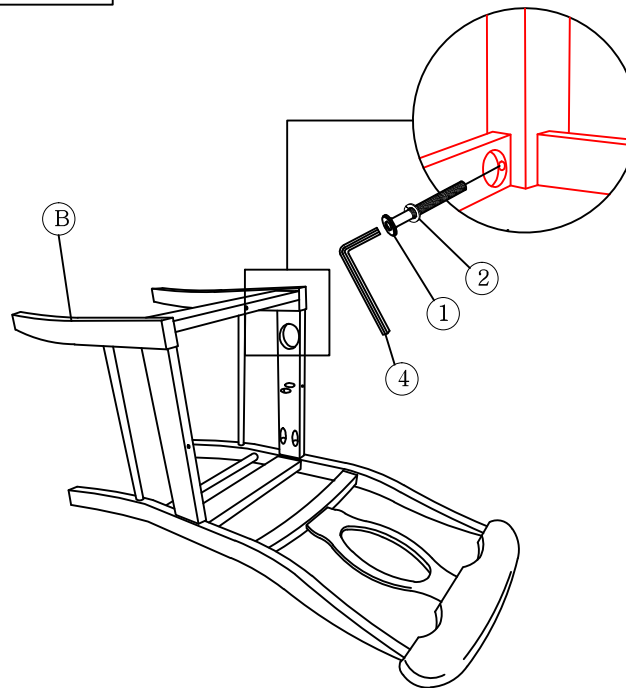
NO	PARTS LIST	QTY
A	BACK REST	1 PC
B	FRONT LEG FRAME	1 PC
C	SIDE RAIL	2 PCS
D	SIDE STRETCHER	2 PCS
E	WOODEN SEAT	1 PC

NO	HARDWARE LIST	QTY
1	JCBC BOLT M6 x 50mm 	6 PCS
2	SPRING WASHER M6 	6 PCS
3	CSK CB SCREW M4 x 32mm 	7 PCS
4	ALLEN KEY M4 x 110mm 	1 PC

## STEP 1



## STEP 2



## STEP 3

