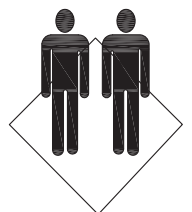
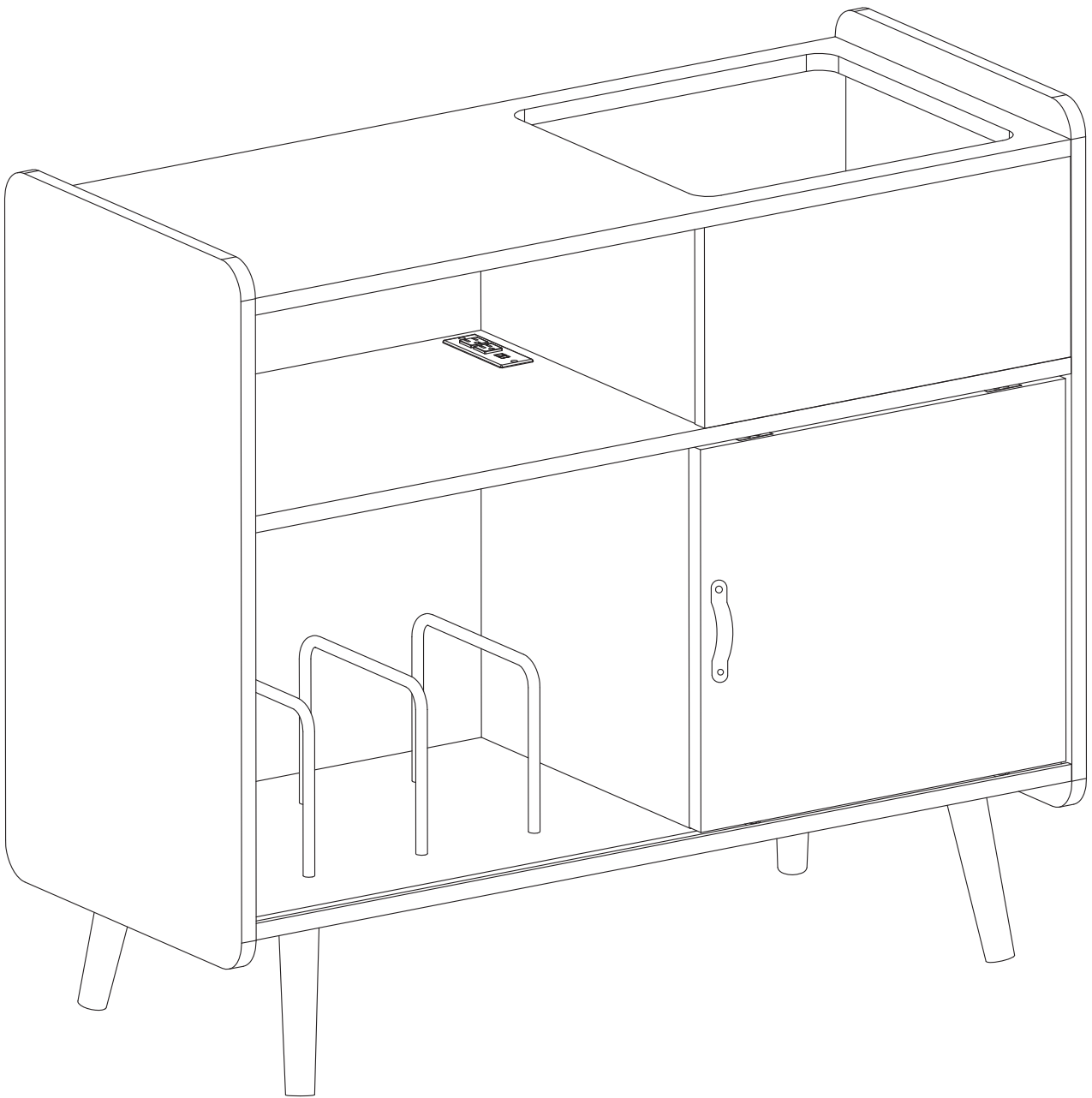


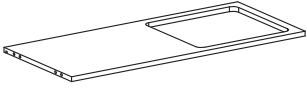
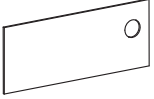
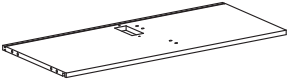
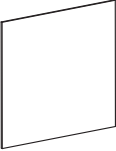
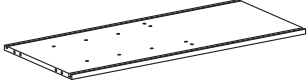
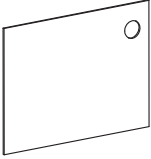

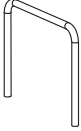
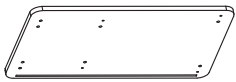

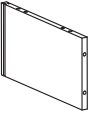

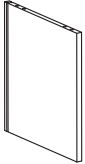
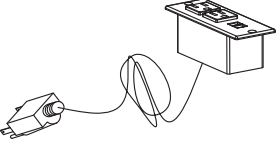

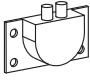

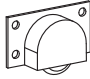
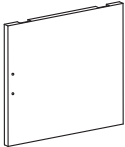
Assembly Instructions

Record Player Stand

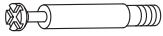




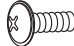

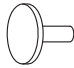





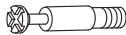


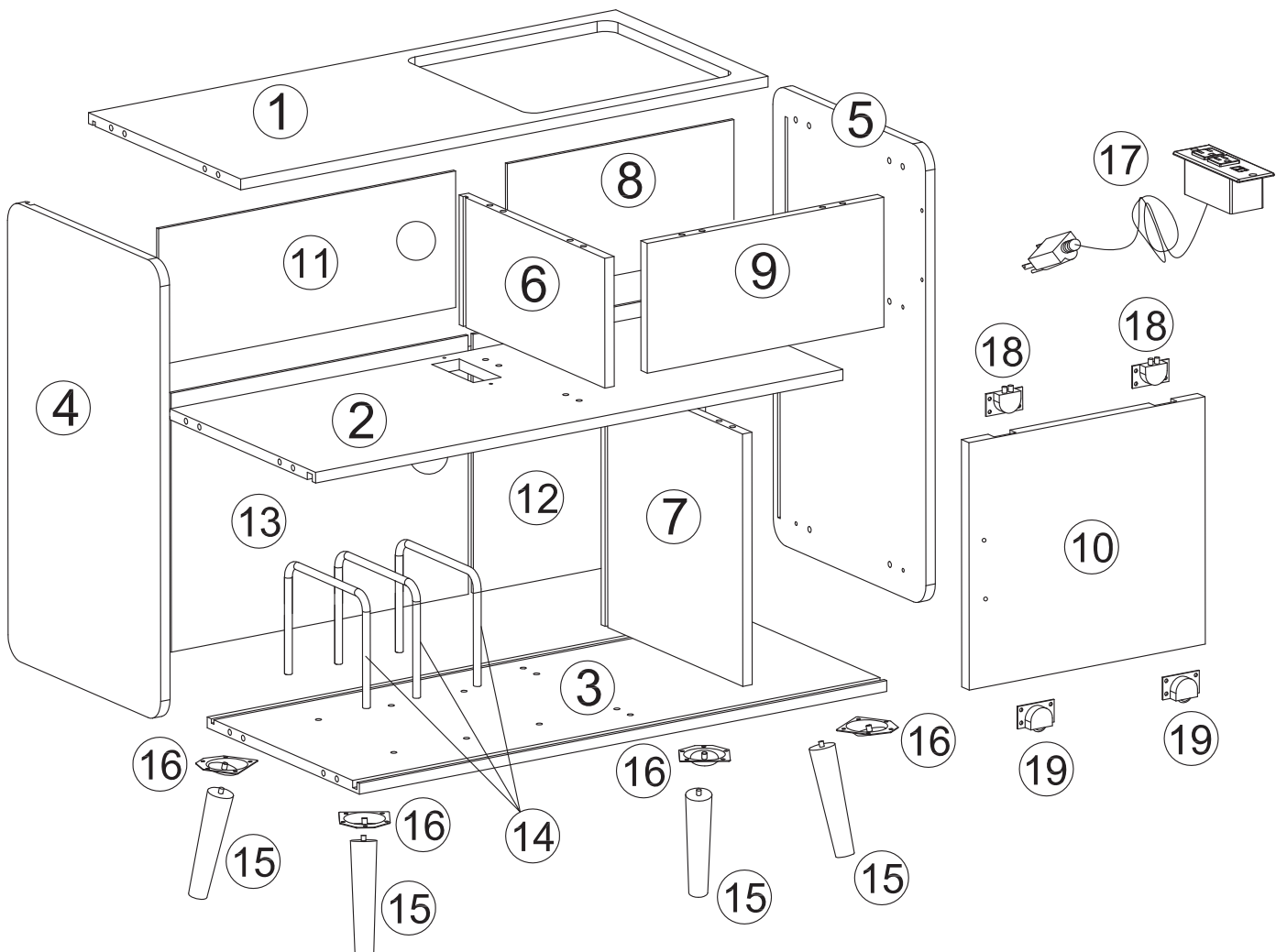
ASSEMBLED BY 2 ADULTS

Parts List

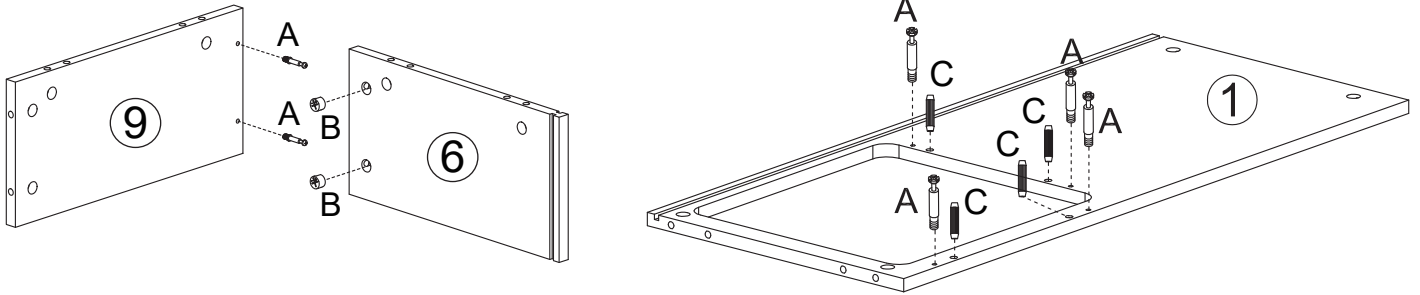
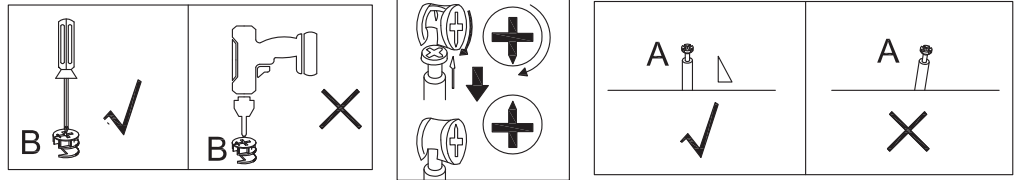
| ITEM | PART | QTY | ITEM | PART | QTY |
|------|---|-----|------|---|------|
| ① |  | 1PC | ⑪ |  | 1PC |
| ② |  | 1PC | ⑫ |  | 1PC |
| ③ |  | 1PC | ⑬ |  | 1PC |
| ④ |  | 1PC | ⑭ |  | 3PCS |
| ⑤ |  | 1PC | ⑮ |  | 4PCS |
| ⑥ |  | 1PC | ⑯ |  | 4PCS |
| ⑦ |  | 1PC | ⑰ |  | 1PC |
| ⑧ |  | 1PC | ⑱ |  | 2PCS |
| ⑨ |  | 1PC | ⑲ |  | 2PCS |
| ⑩ |  | 1PC | | | |

Hardware List

| ITEM | PART | QTY | ITEM | PART | QTY |
|------|--|---------|------|--|---------|
| A |  | 20+1PCS | H |  | 8+1PCS |
| B |  | 22+1PCS | I |  | 1PC |
| C |  | 22+1PCS | J |  | 2PCS |
| D |  | 4+1PCS | K |  | 2PCS |
| E |  | 6+1PCS | L |  | 18+1PCS |
| F |  | 1PC | M |  | 4+1PCS |
| G |  | 46+2PCS | N |  | 2+1PCS |



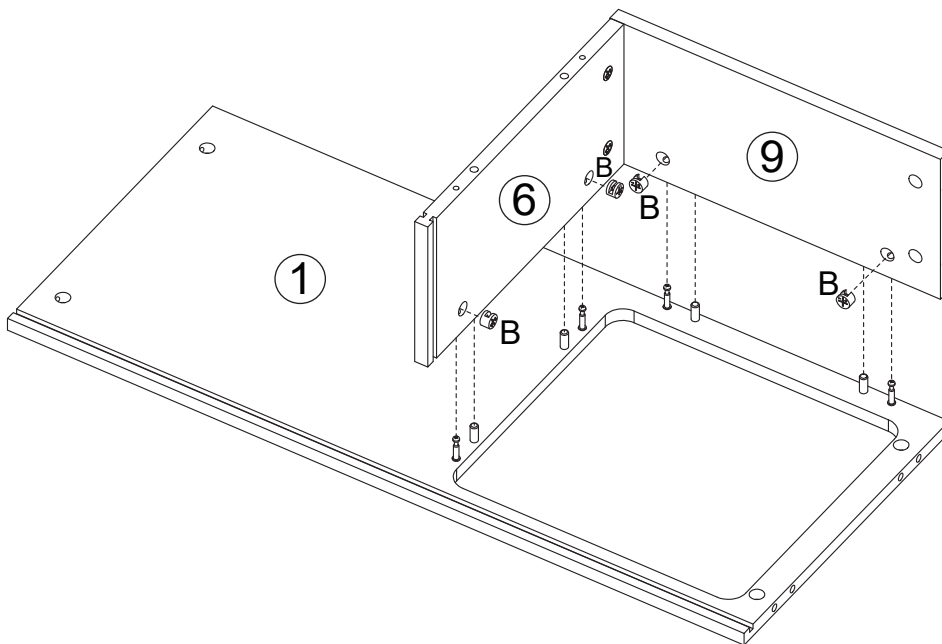
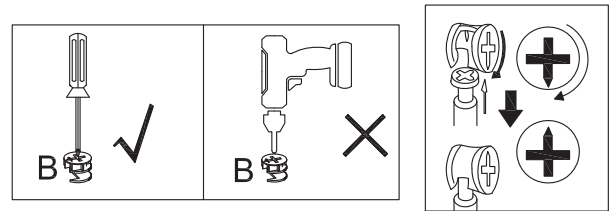
1



STEP 1: Connect Part #9 and Part #6 using Cam Bolt A x2 & Cam Nut B x2 as shown. (Turn Cam bolt to lock into Cam nut securely). Install Cam Bolt A x4 into Part #1 as shown. Also insert Dowel C x4 into Part #1 as shown.



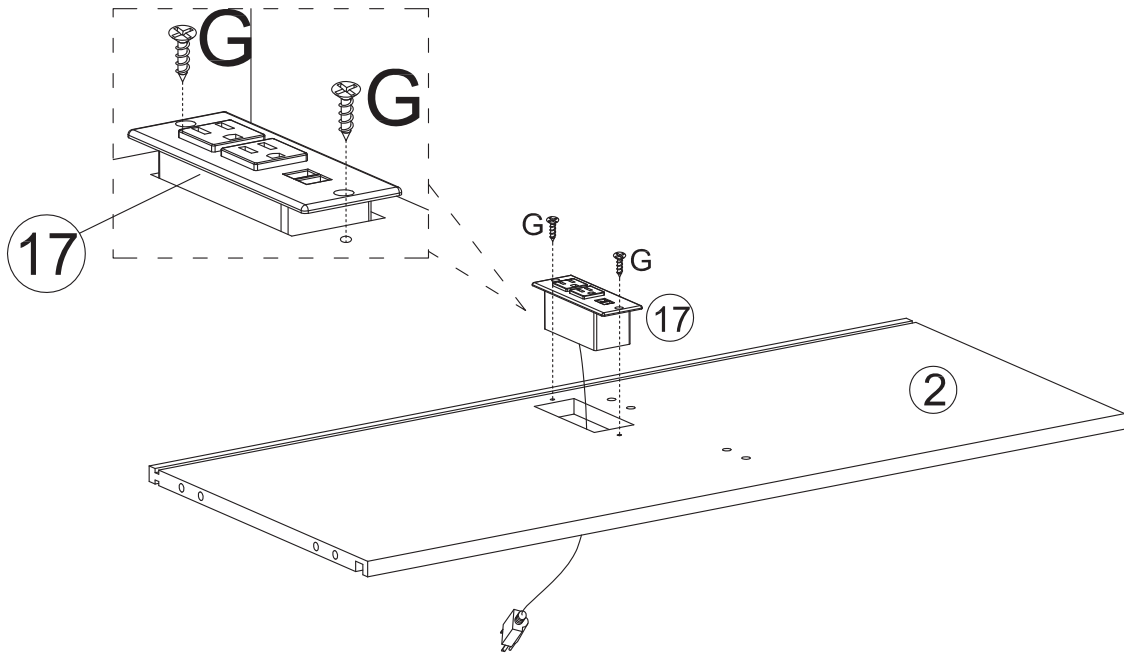
2



STEP 2: Attach Connected Parts #6 & #9 to Part #1 by installing Cam Nuts into Parts #6 & #9 and sliding onto Cam Bolts and dowels on Part #1. Tighten Cam Nut / Bolt Connections.



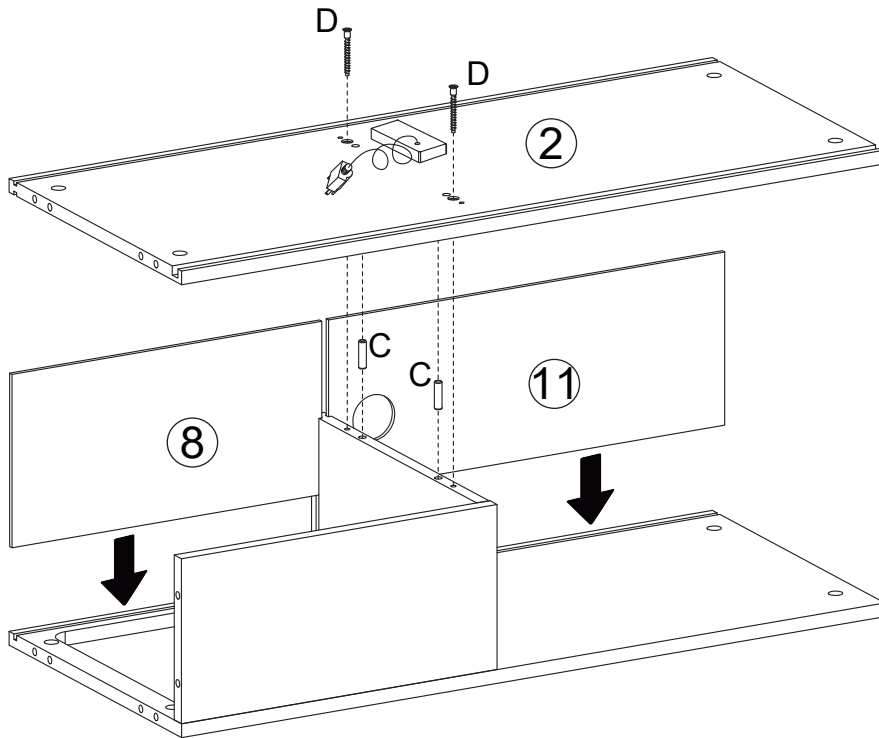
3



STEP 3: Install Charging Outlet Part #17 into Part #2 using screw G x2 as shown.

 Gx2

4

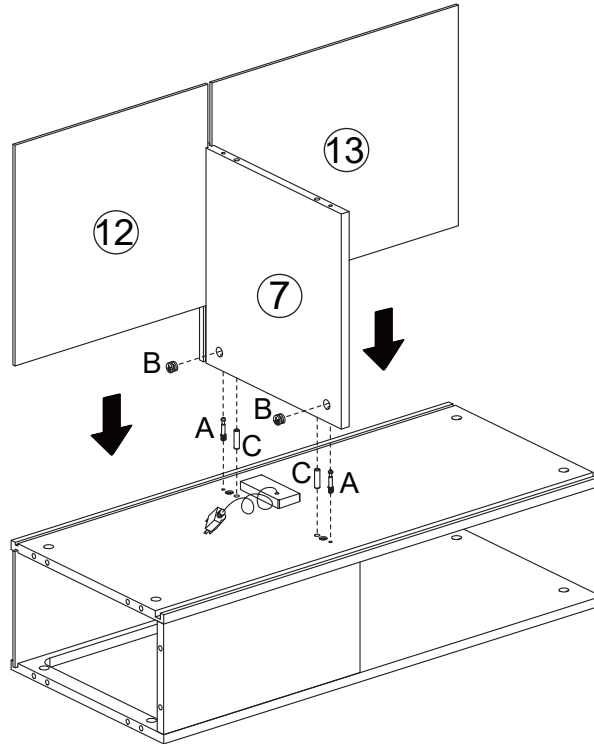
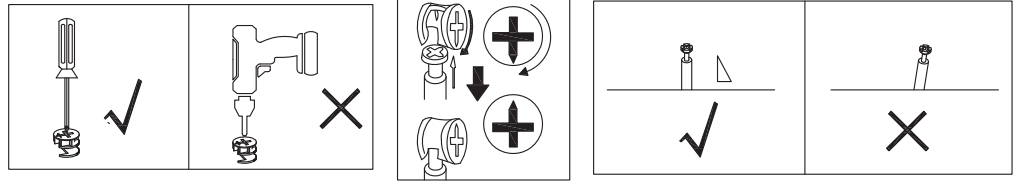


STEP 4: Slide Parts # 8 & #11 down into ridge in Part #1 as shown. Insert Dowels C x2 into Part #6 as shown. Then attach Part#2 onto the unit matching the dowels and using Screws D x2.

 Dx2

 Cx2

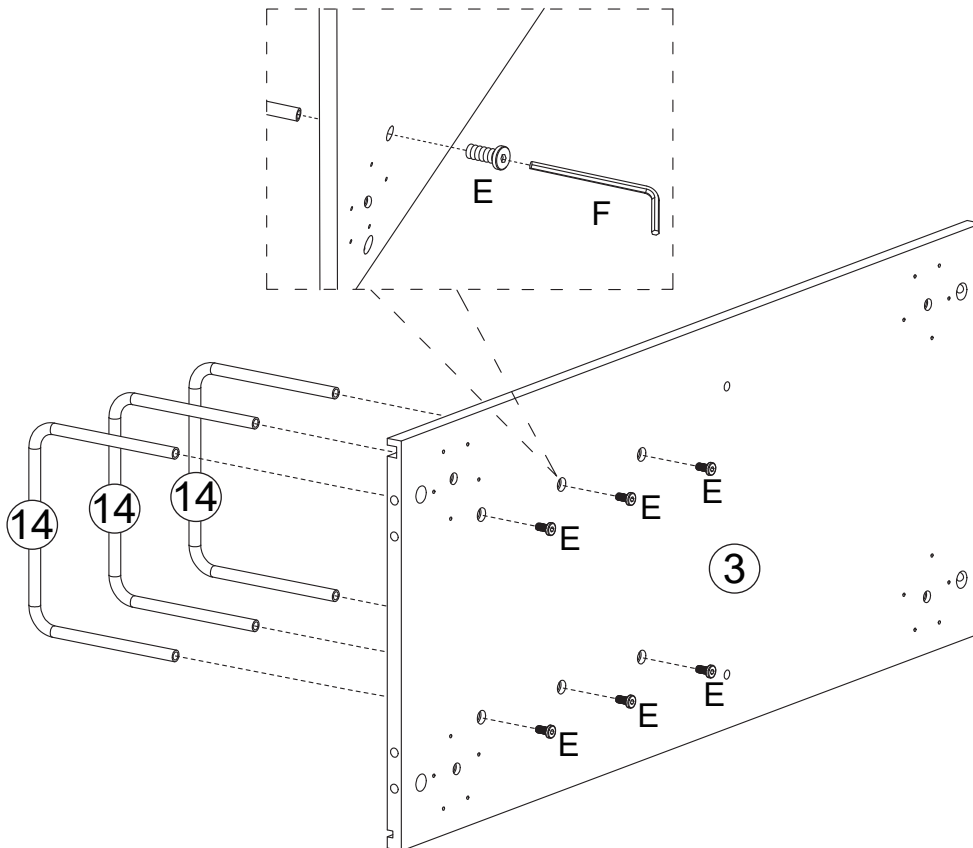
5



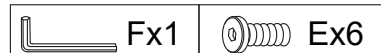
STEP 5: Attach Part #7 to unit (Part #2) using Cam Nuts/ Bolts A&B x2 and Dowels Cx2 as shown. Slide part 12/13 into slot on Part #7 as shown.



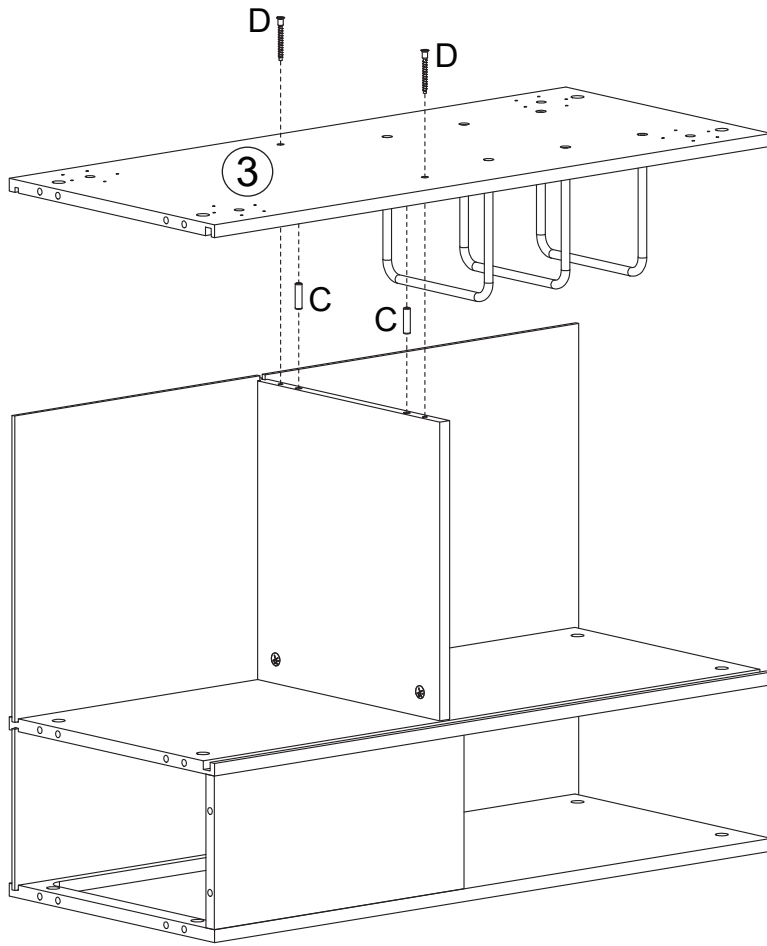
6



STEP 6: Attach Record Dividers (Part #14) X3 to Part #3 using Screws E x6 as shown with Tool F.



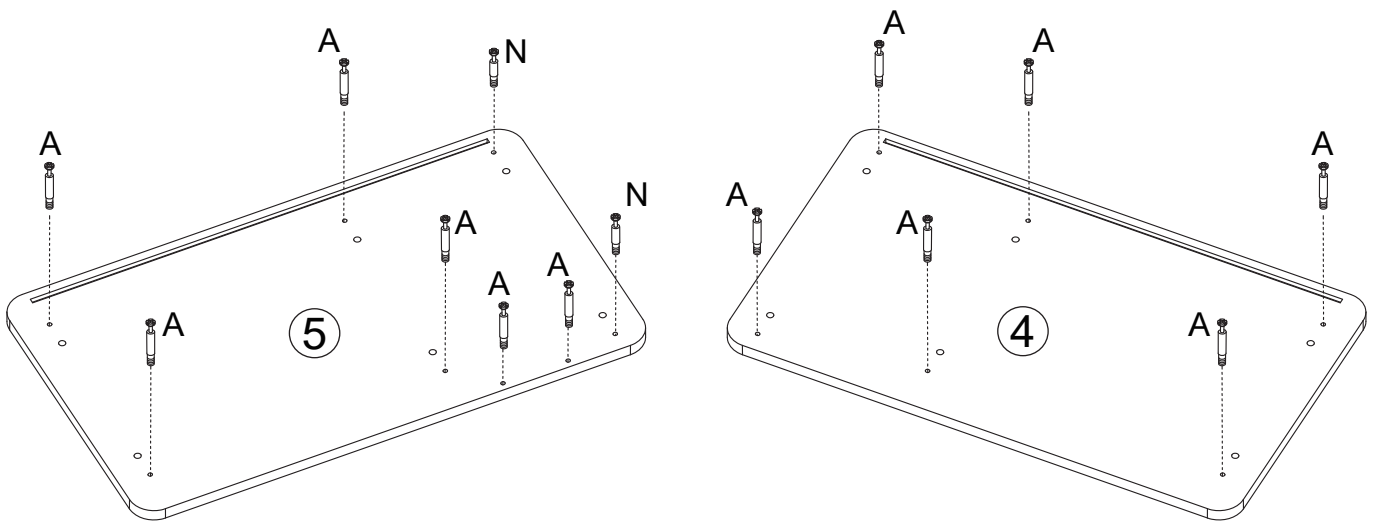
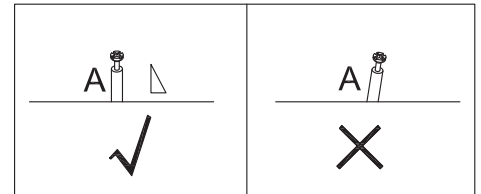
7



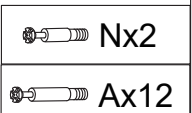
STEP 7: Attach Part #3 with dividers now attached to the unit as shown using Dowels C x2 and Screws Dx2.



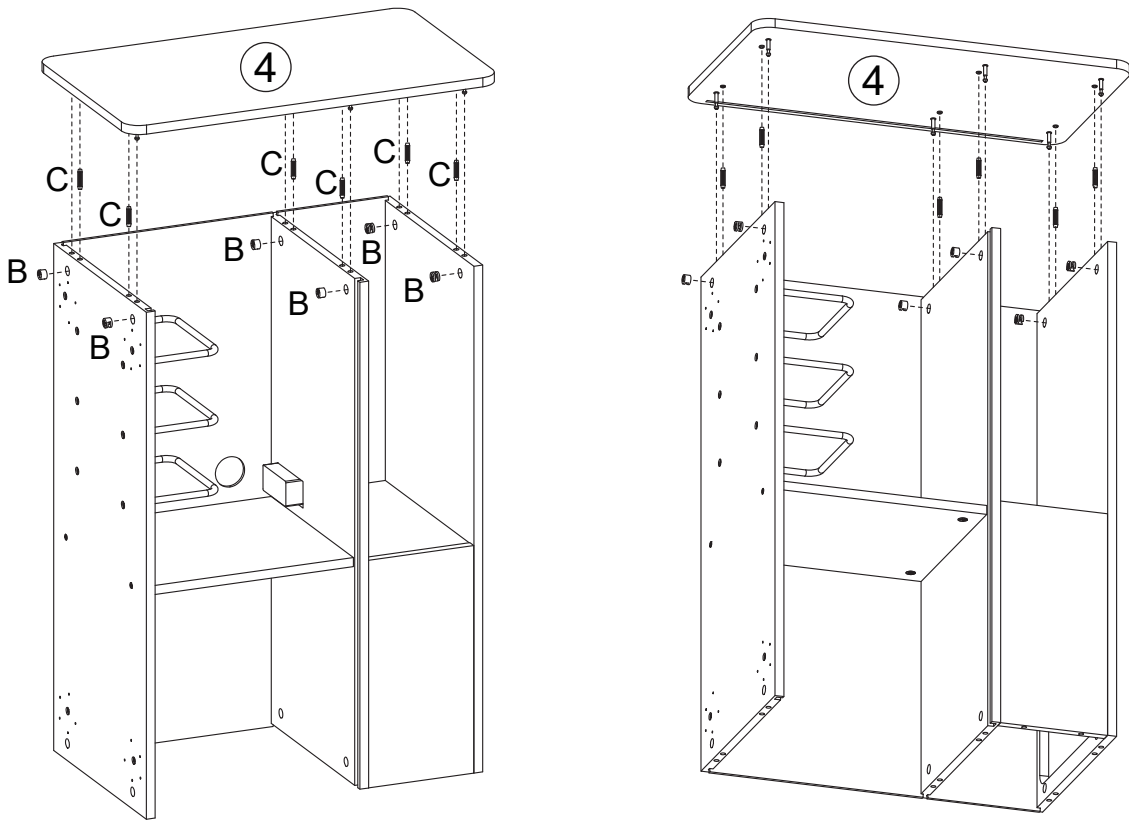
8



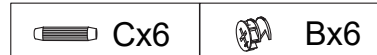
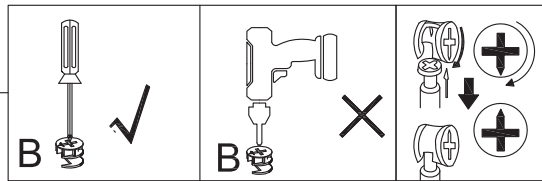
STEP 8: Insert Cam Bolt A x6 into Side Part #5 and Insert Cam Bolt N x2 into Side Part #5
Cam Bolt A x6 into Side Part #4



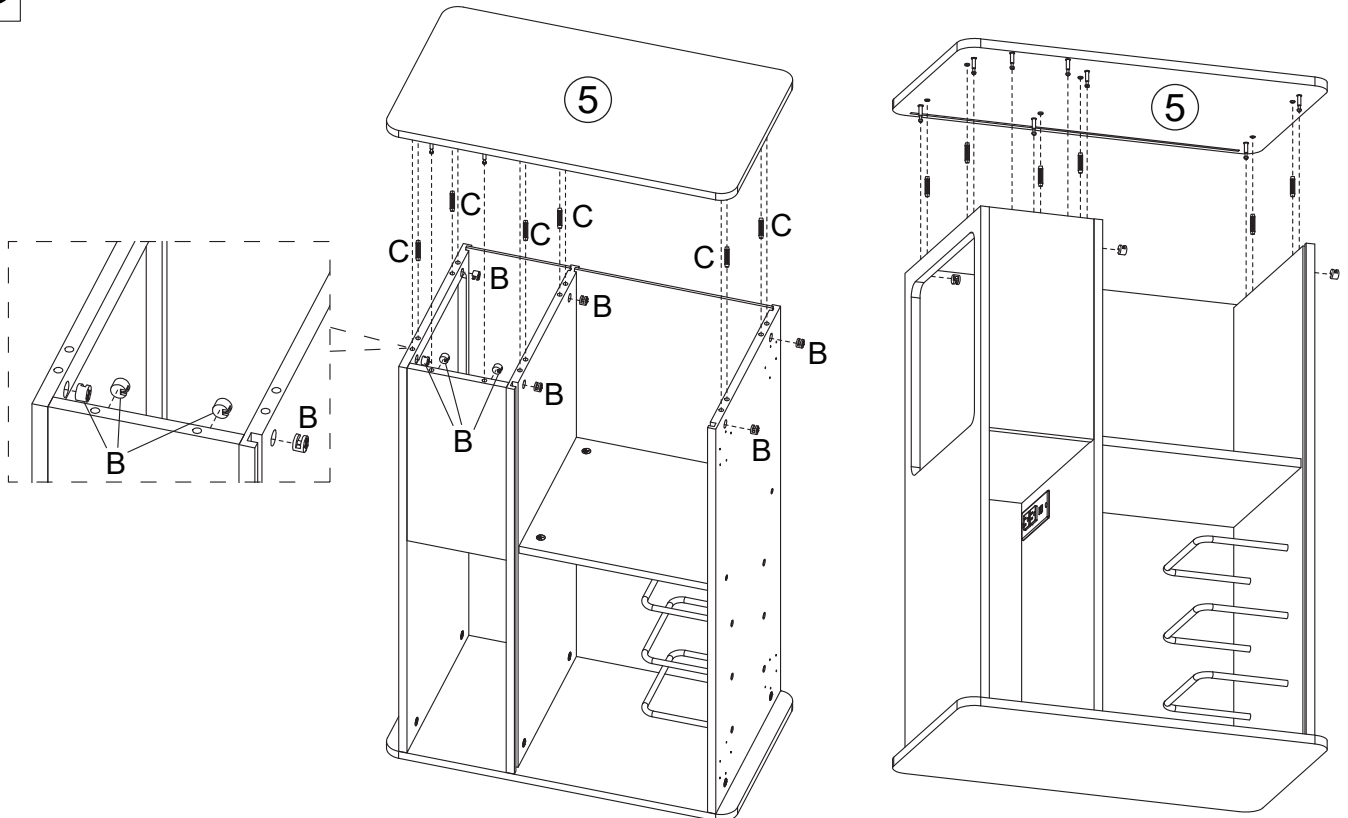
9



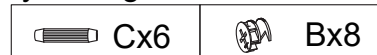
STEP 9: Install Cam Nuts B x6 and Dowels C x6 in unit on side with Dividers as shown. Then Attach part #4 to unit by sliding Cam Bolts A into Cam Nuts B, then tighten.



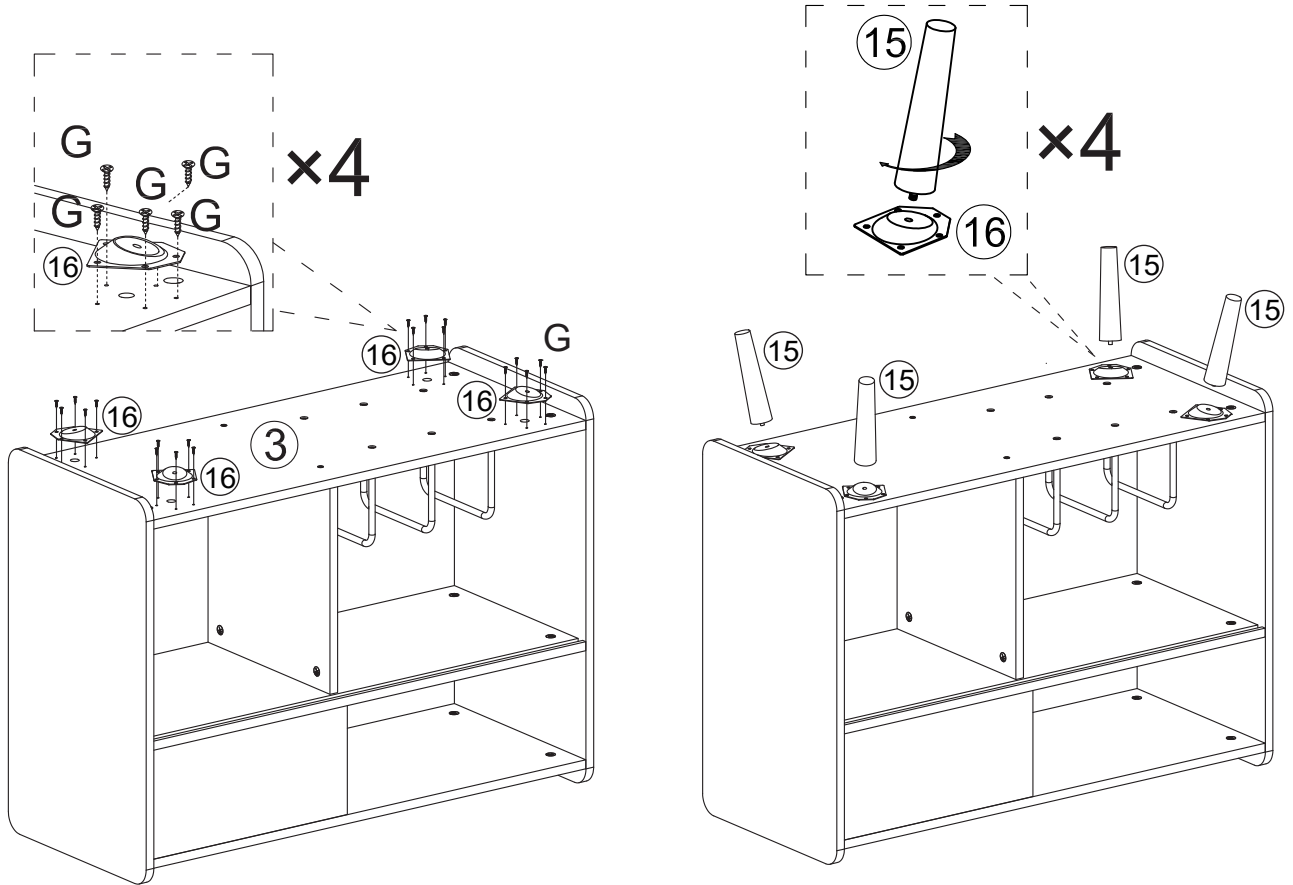
10



STEP 10: Repeat the process from Step 9 on the other side , again installing Cam Bolts B x8 and Dowels C x6 as shown in the unit. Then attach side part #5 to unit by sliding Cam Bolts A into Cam Nuts B, then tighten.



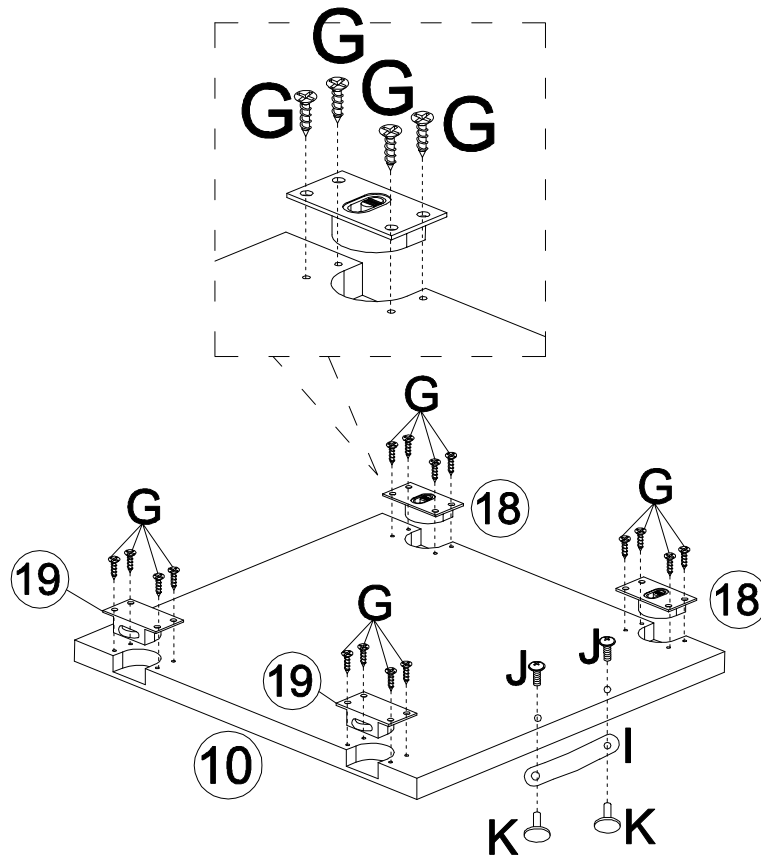
11



STEP 11: Attach Legs to Unit. Attach Leg Holder Part #16 x4 to each corner as shown using screws G x5. Screw Legs Part #15 into Part #16.



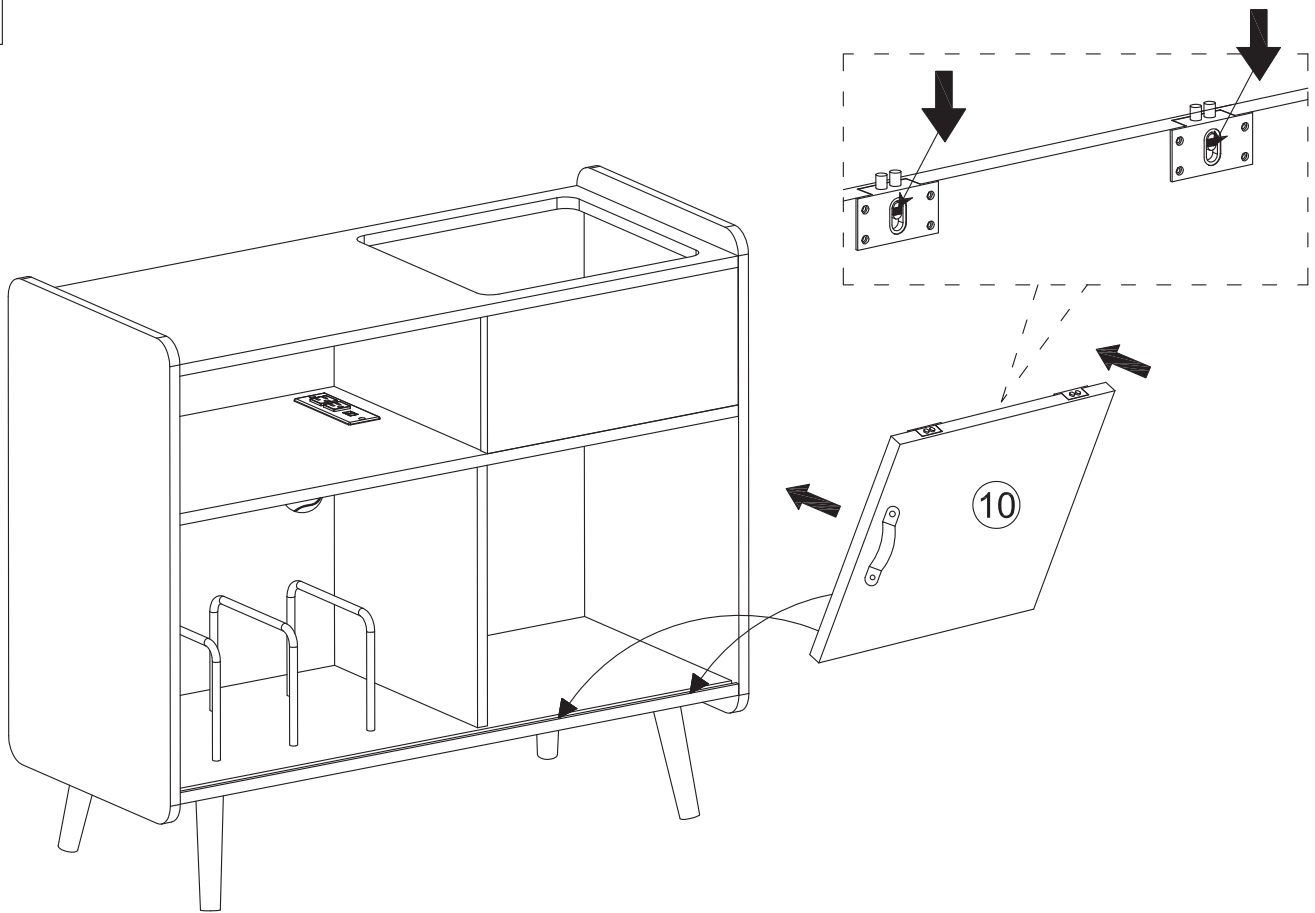
12



STEP 12: Install Door Hardware Parts #18 & #19 to the door using screws G x4 as shown. Handle Part I can be attached by Parts K x2 and Screws J x2 as shown.

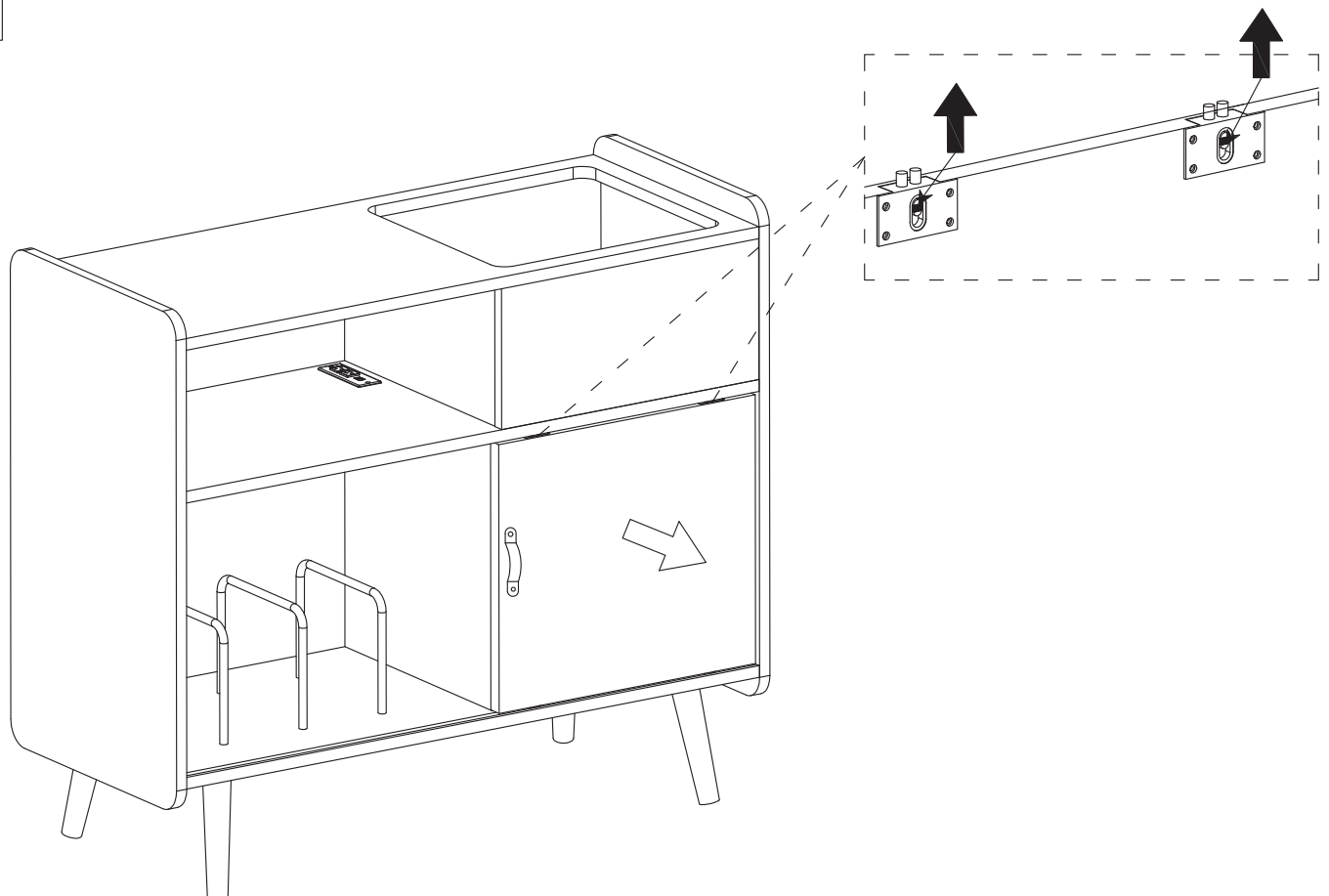


13

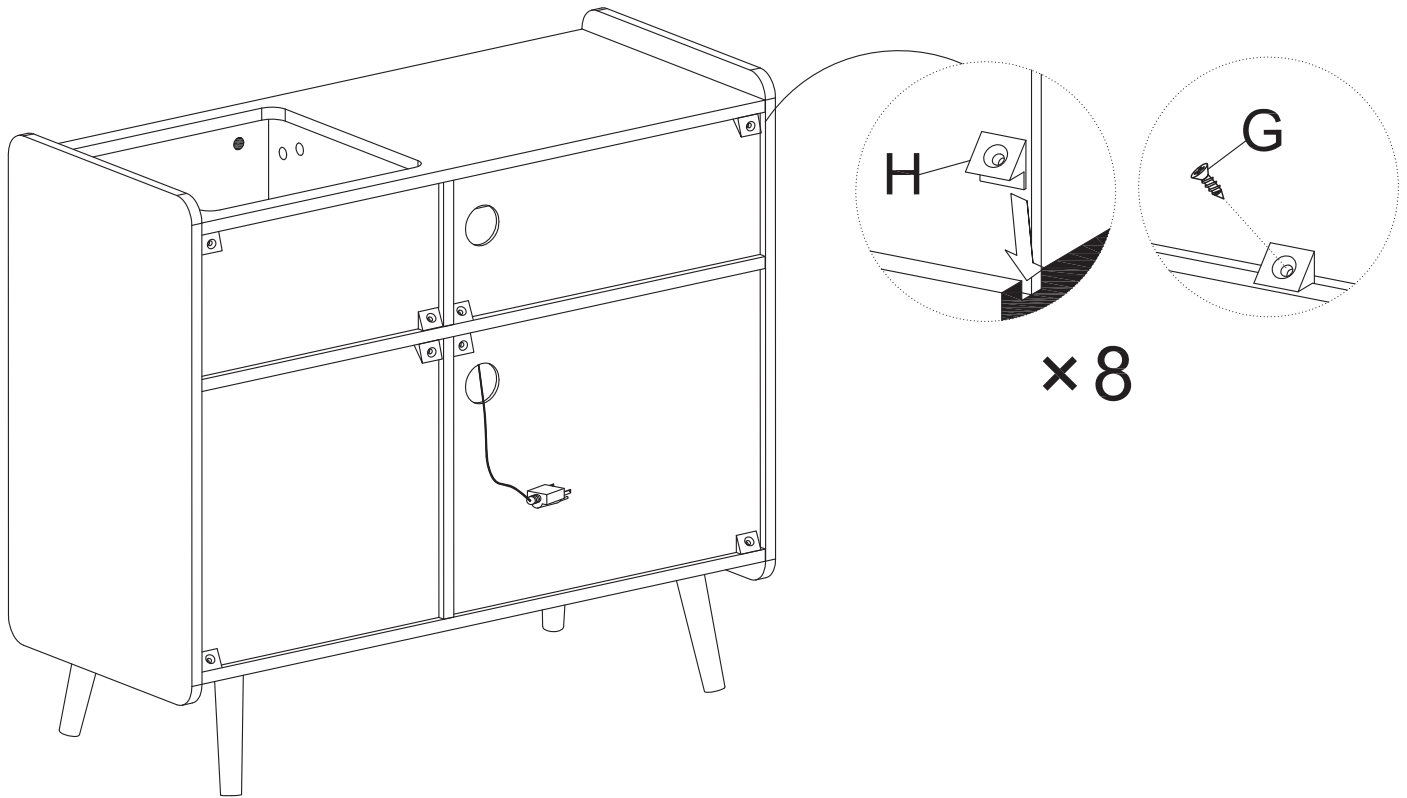


STEP 13 & 14: Insert Door in unit as shown.

14



15

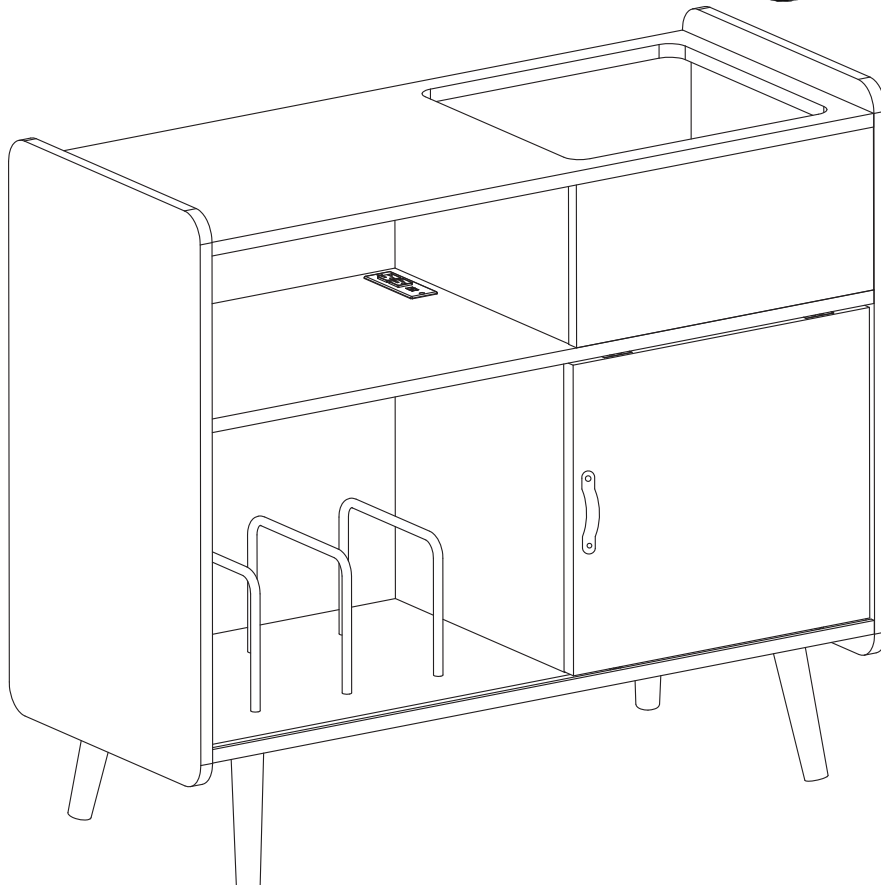


STEP 15: Use Part H x8 to secure back panels of the unit as shown.
Slide Part H x8 into the slots then attach with screw G x8.



16

Enjoy your new unit 😊



Remark: We provide round stickers L, M. You can stick it on the nuts as you like :)