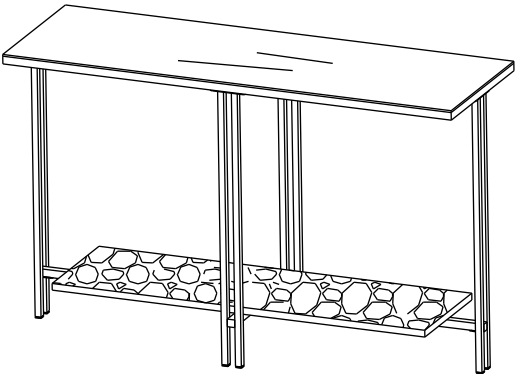
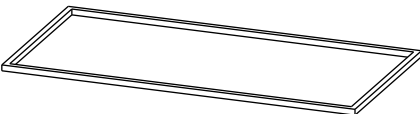
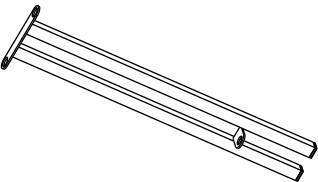
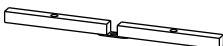

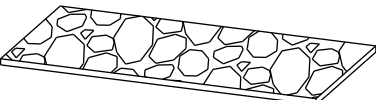

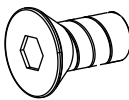
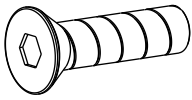

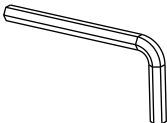


SOFA TABLE

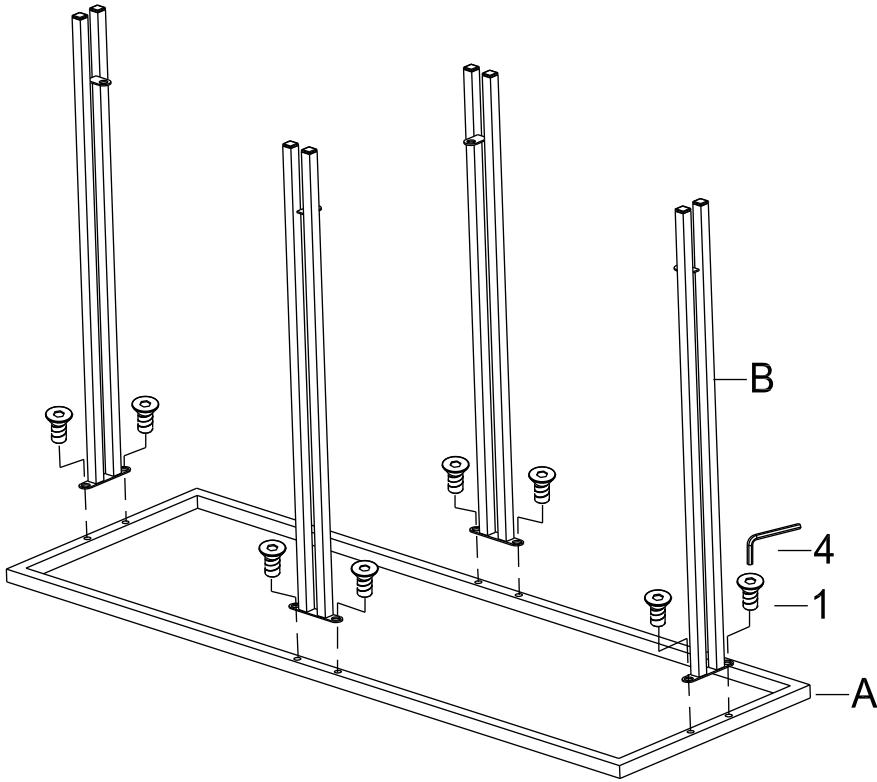


ASSEMBLY INSTRUCTIONS

A  TOP FRAME 1PC	B  LEG 4PCS	C  BOTTOM STRETCHER 1PC
D  UPPER STRETCHER 1PC 1	E  WOOD SHELF 1PC 2	F  GLASS TOP 1PC 3
 BOLT 1/4" X 1/2" 13PCS 4	 BOLT 1/4" X 1-1/4" 4PCS	 PAD 6PCS
 ALLEN KEY 1PC		

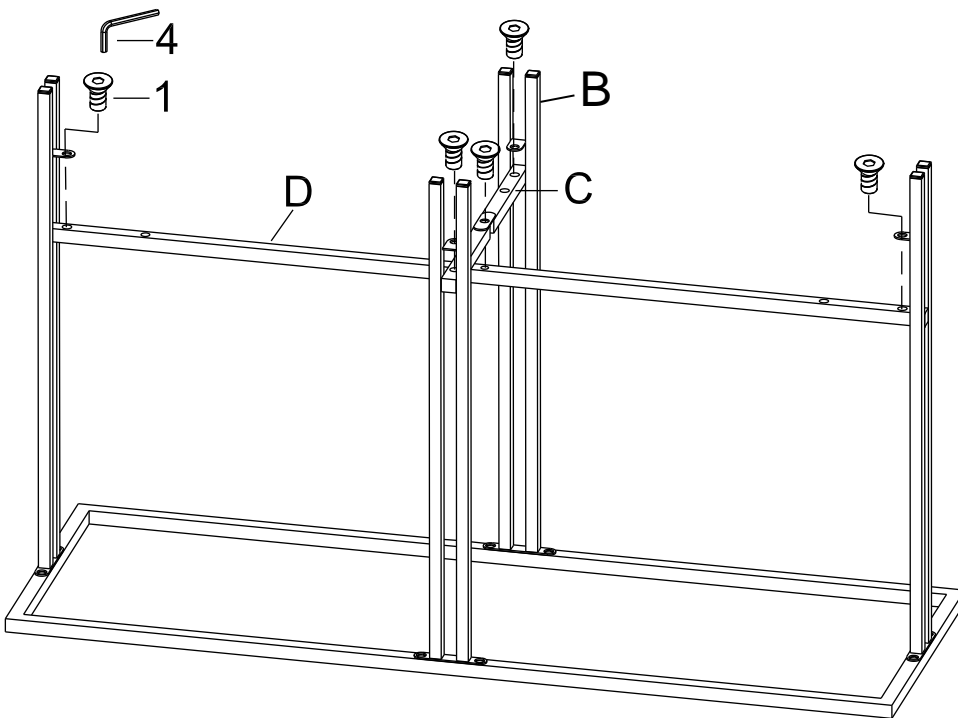
***** Do not tighten screws & bolts until the entire unit is completely assembled. *****

STEP 1



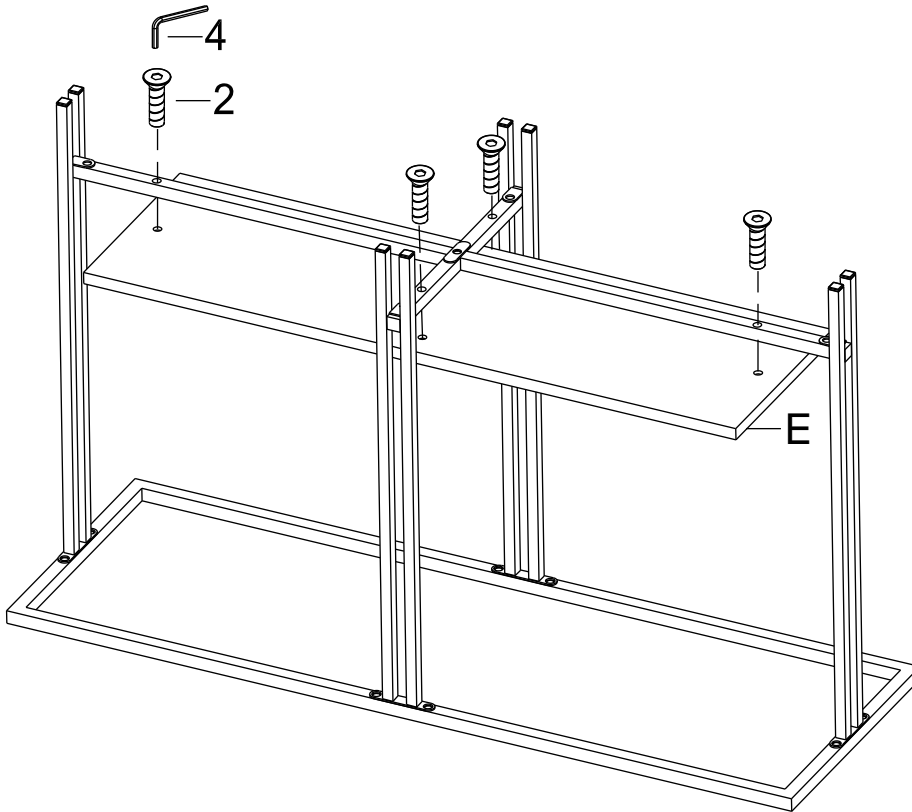
Attach legs (B) to top frame (A) using bolts (1) and allen key (4) as shown.

STEP 2



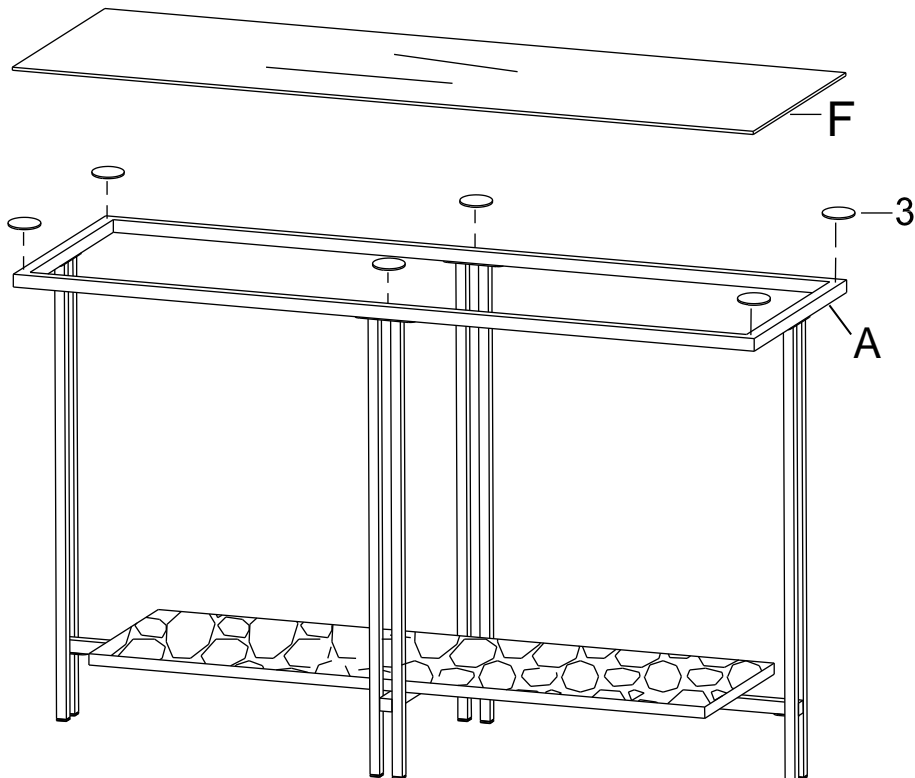
Attach upper stretcher (D) and bottom stretcher (C) to legs (B) using bolts (1) and allen key (4) as shown.

STEP 3



Attach wood shelf (E) to assemble stretcher using bolts (2) and allen key (4) as shown.

STEP 4



Attach pads (3) to top frame (A), then place glass top (F) on the top frame (A) as shown.