

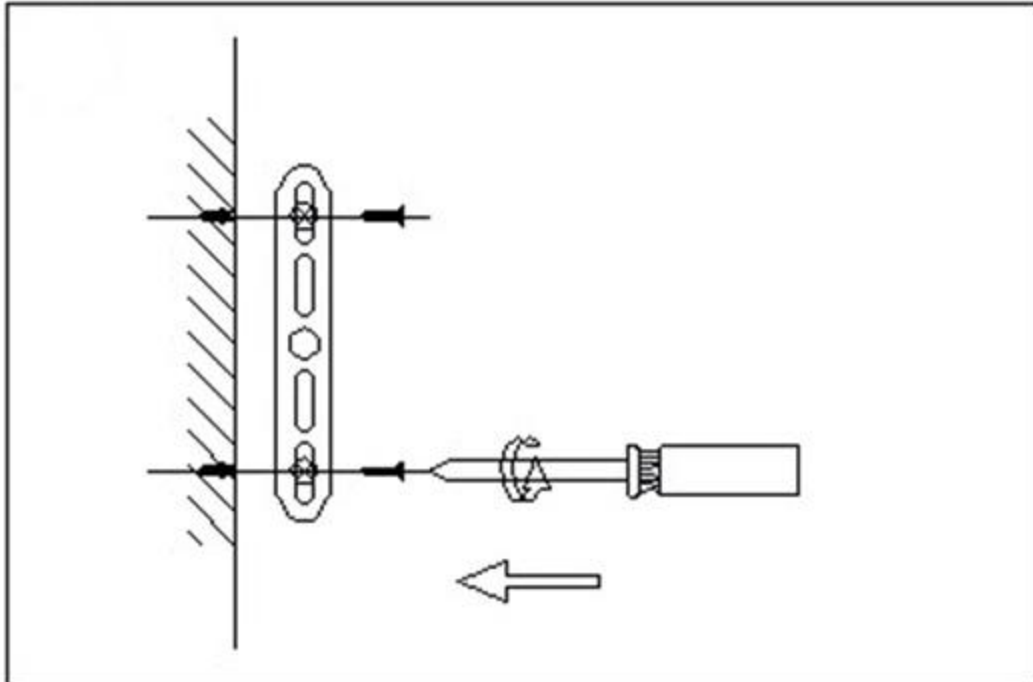
# Assembly Instruction Sheet for Model HL492905



Backplate x1

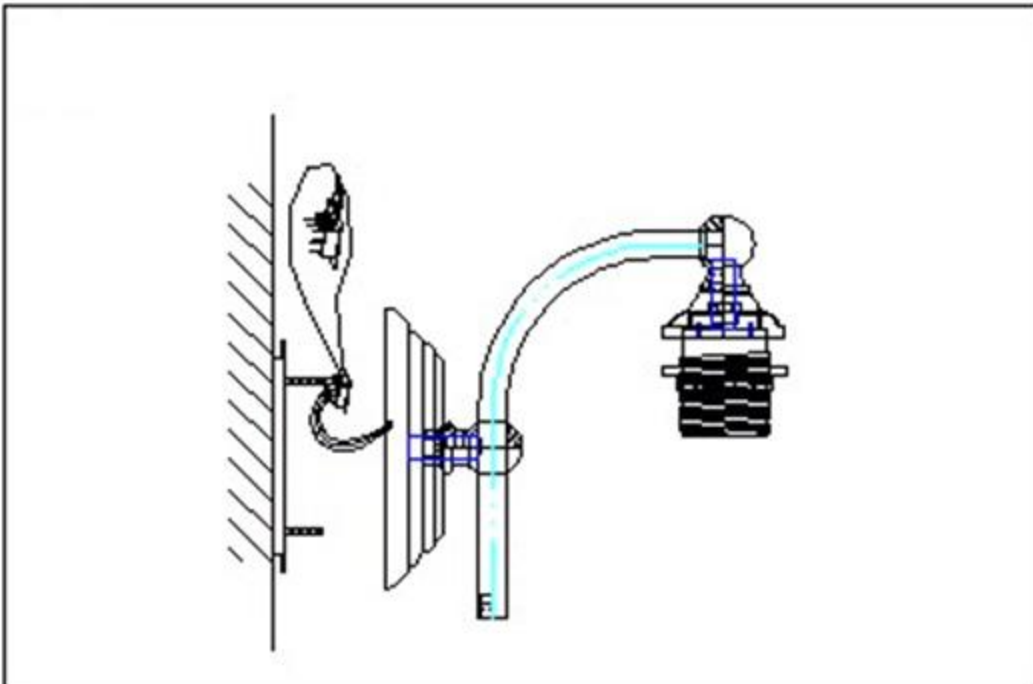


Socket Ring x3



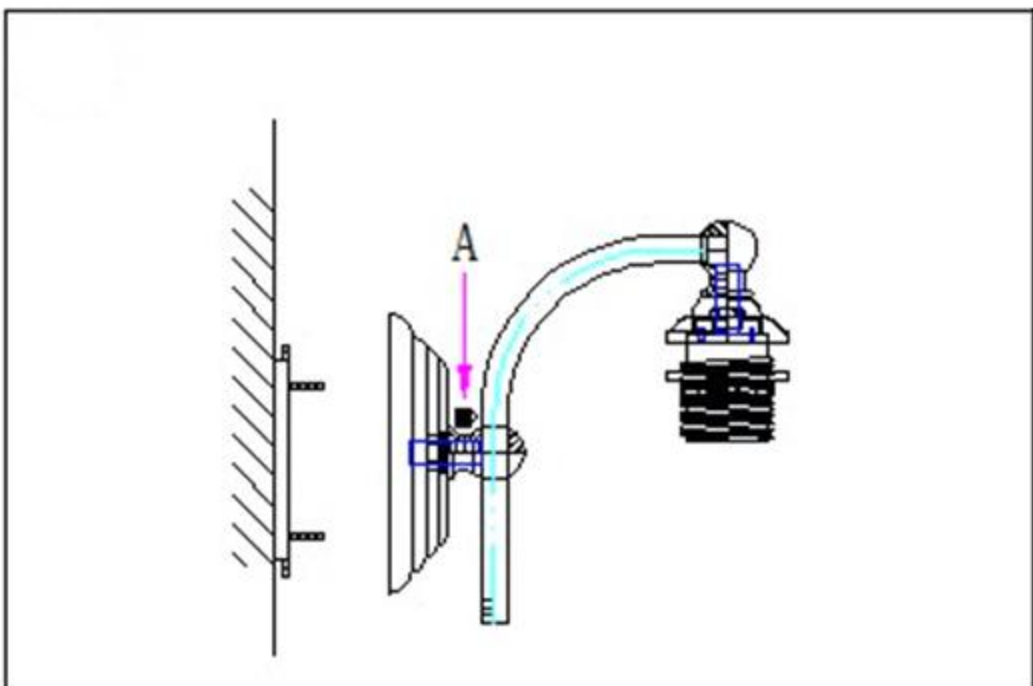
## STEP 1

Remove the Mounting Bracket(B) from the Backplate(A).  
Mark the drilling position on wall with the help of the Mounting Bracket(B).  
Drill holes on the marks and stick the expansion anchors into the holes.  
Fix the Mounting Bracket(B) to the expansion anchors with self-tapping screws.



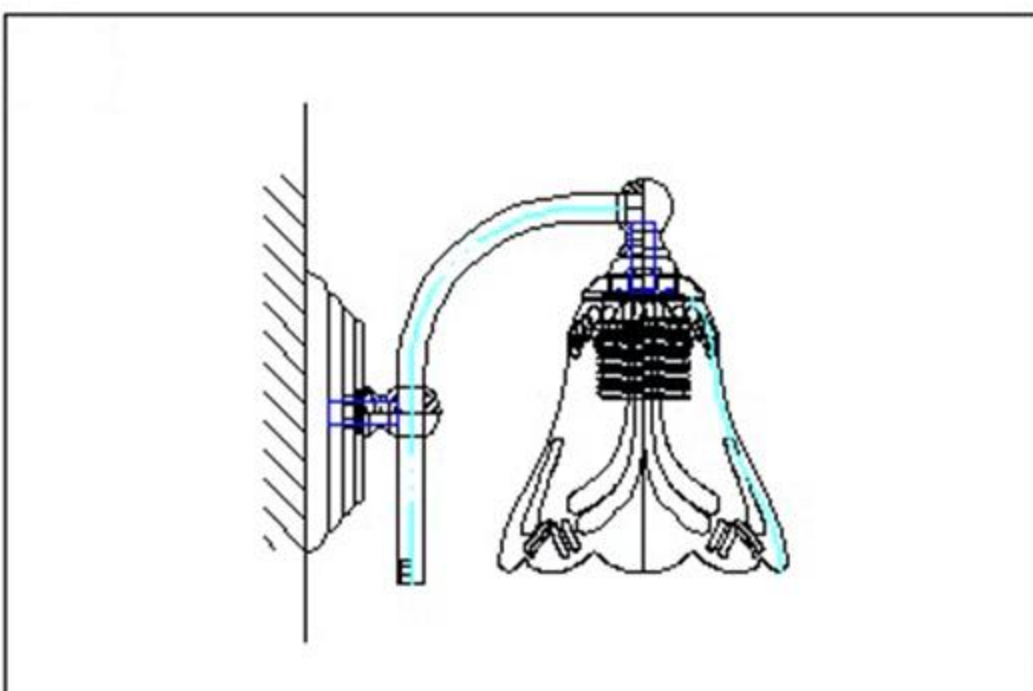
## STEP 2

Hold the fixture close to wall  
Connect live line to wire color Black/Red from the canopy of Fixture.  
Connect neutral line to wire color White/Blue from the the canopy of Fixture.



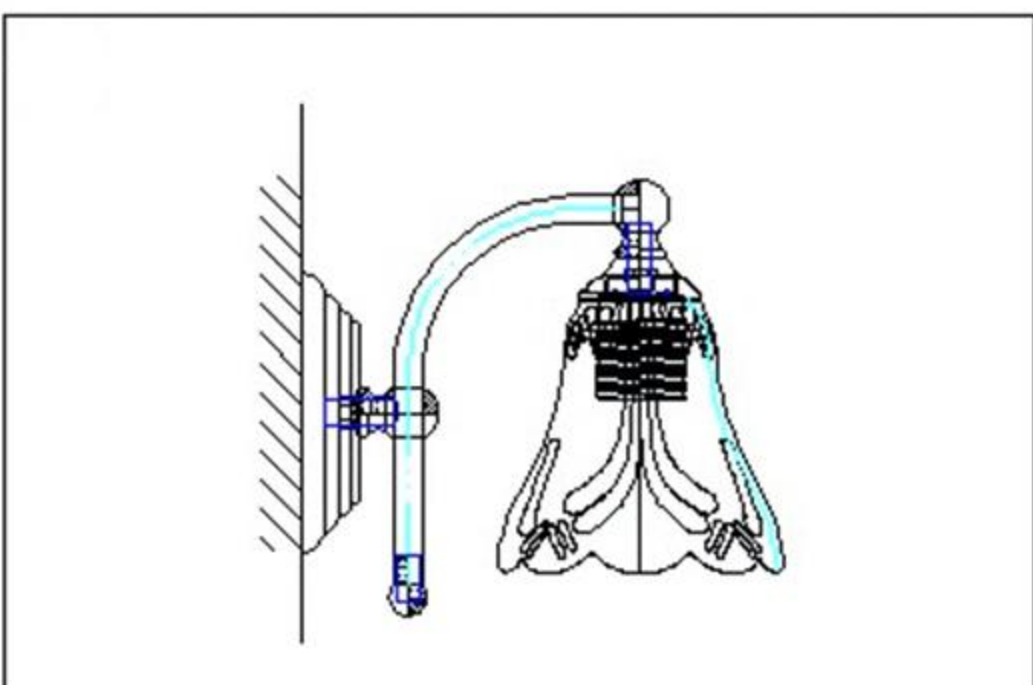
## STEP 3

Fix the Backplate to the wall with the help of screws



## STEP 4

Fix the Glass Shade on the Fixture with Socket Ring(C)



## STEP 5

Insert your bulbs(Not Included) to the bulb base.

Your fixture is now assembled and ready to use.