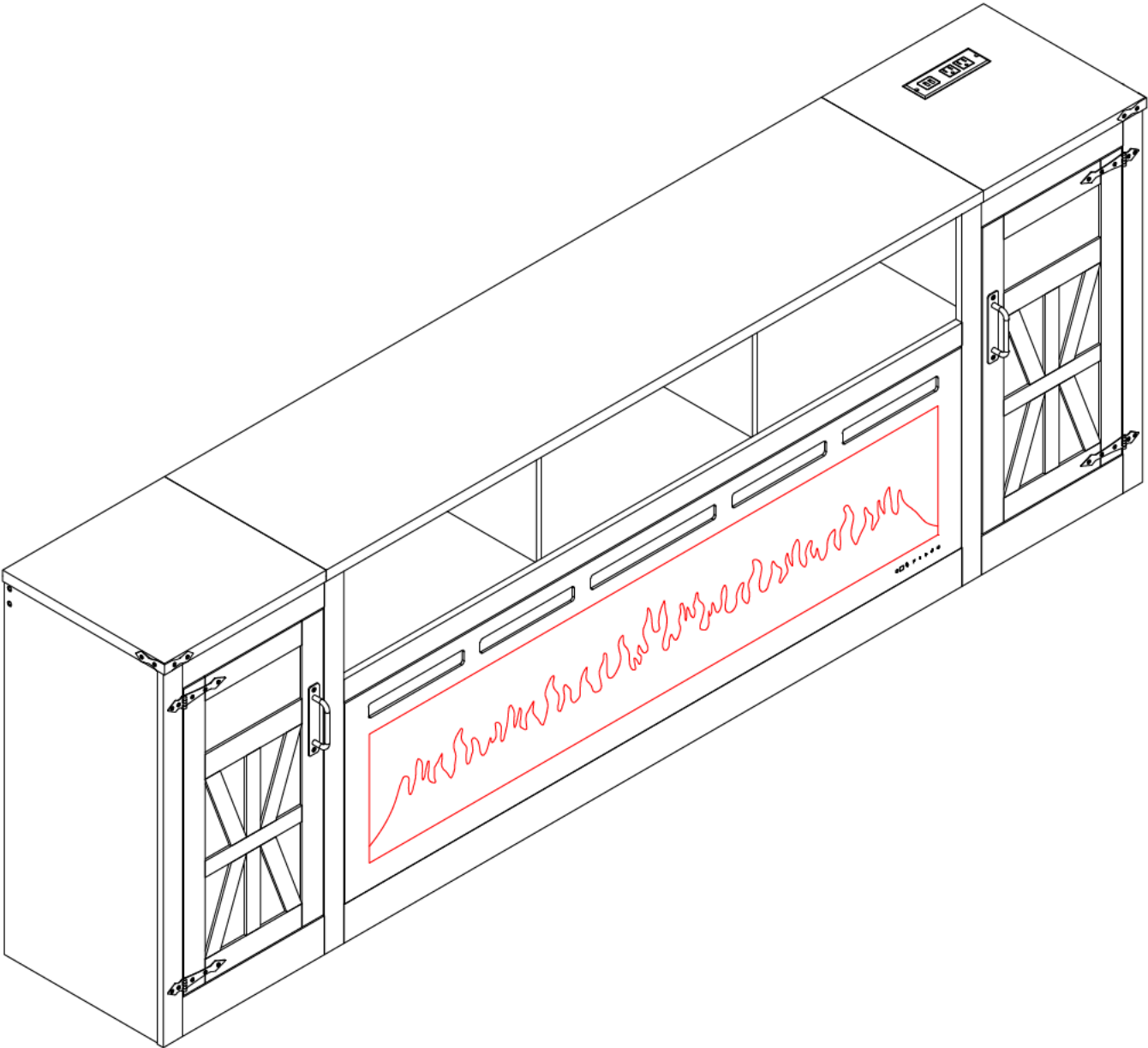


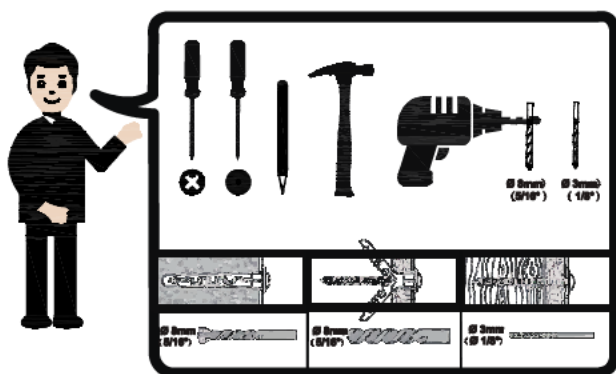
Assembly Instruction



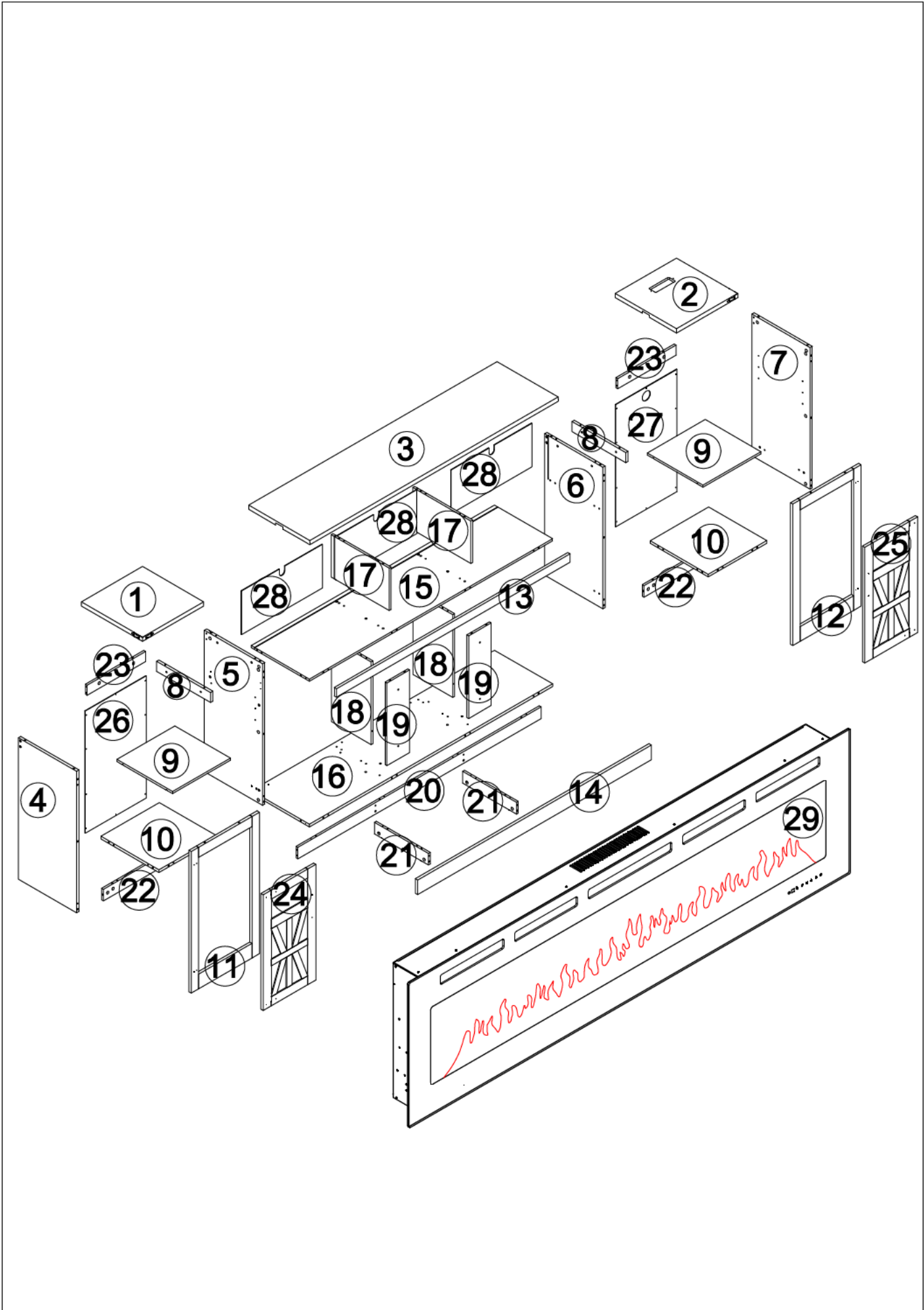
Important reminder:

- △ Please sort and check all accessories before assembly.
- △ Please place the product on empty cardboard box or carpet to avoid scratches on it,
- △ Please use proper tools for assembly. Using an electric screwdriver can accelerate the assembly speed, but please do not overtighten the screws.
- △ Please follow the assembly steps and do not skip any of them.
- △ If possible, please find a partner to help you with assembly, which can accelerate assembly.
- △ Keep all small parts of this product away from children. They may cause serious injury.
- △ We hope you can retighten the screws 2 weeks after assembly, and check the tightening procedure of the screws every 3 months.

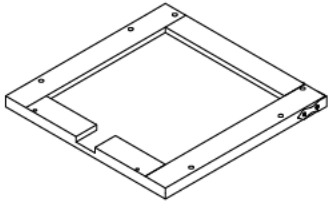
If you meet any difficulty, our friendly customer team are always ready to help you.



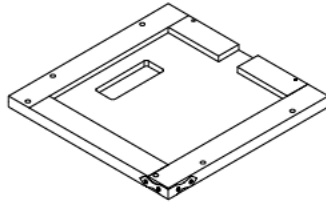
Warning:Overturning the product can cause serious crushing injuries. We have a wall connection device attached, please use it to hold the furniture following assembly instructions. Do not change the structure of this product in way. Our products have been tested and meet any all sales specific security measures. We won't be responsible for any modifications, which may cause significant security risks.



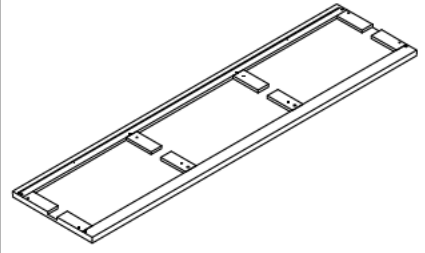
PARTS LIST



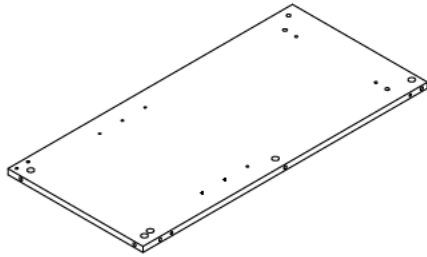
① X1



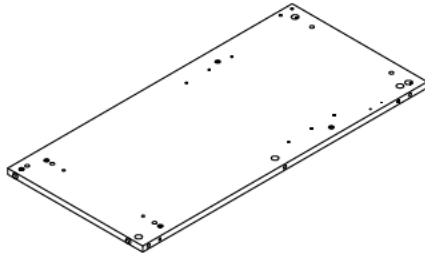
② X1



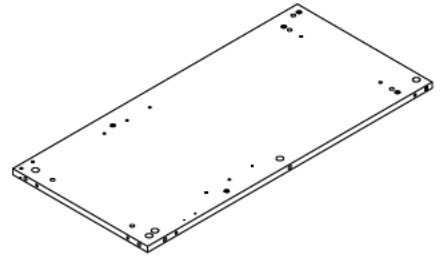
③ X1



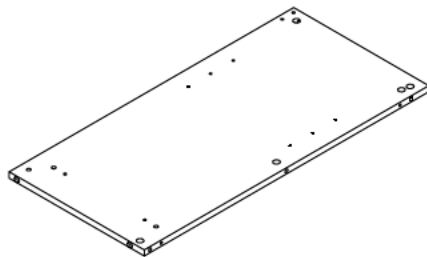
④ X1



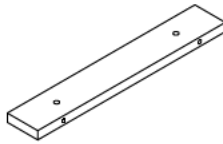
⑤ X1



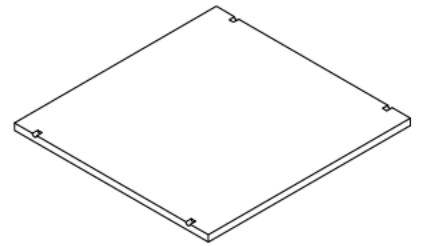
⑥ X1



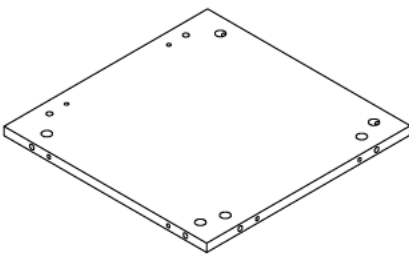
⑦ X1



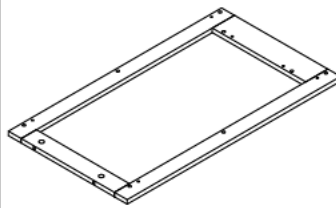
⑧ X2



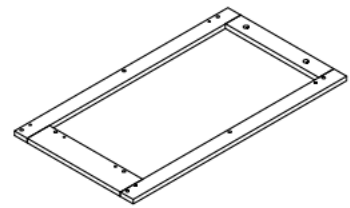
⑨ X2



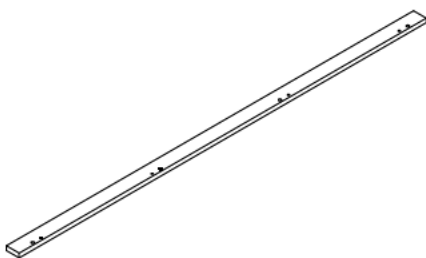
⑩ X2



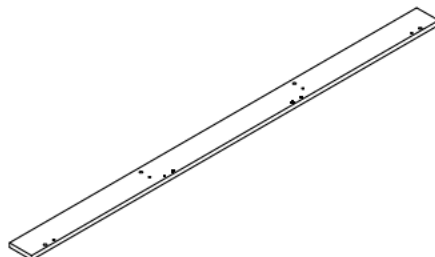
⑪ X1



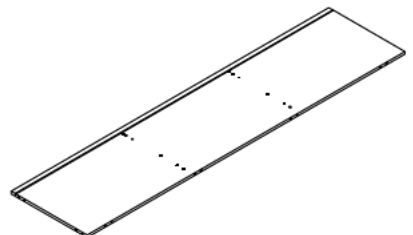
⑫ X1



⑬ X1

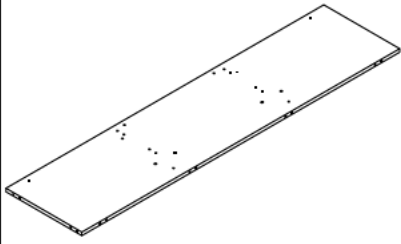


⑭ X1

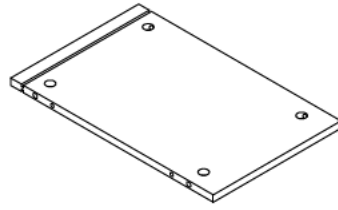


⑮ X1

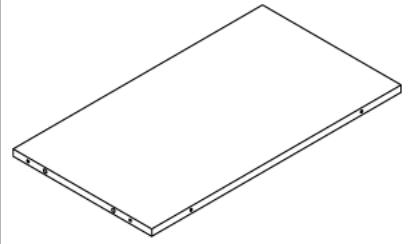
PARTS LIST



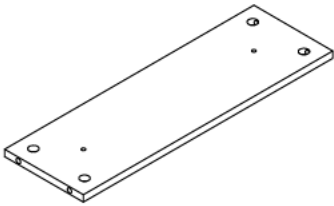
16X1



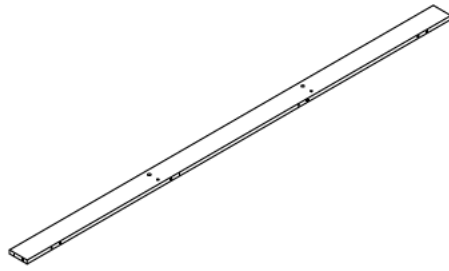
17X2



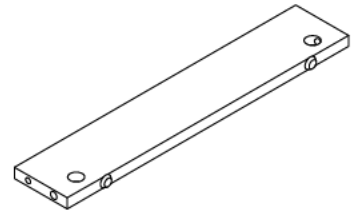
18X2



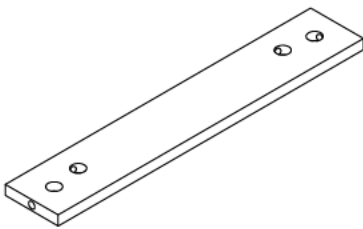
19X2



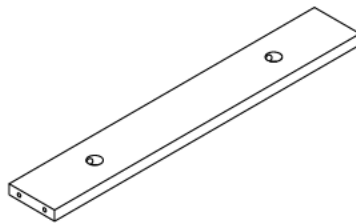
20X1



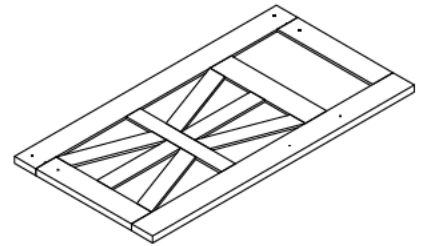
21X2



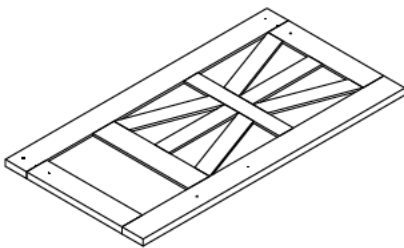
22X2



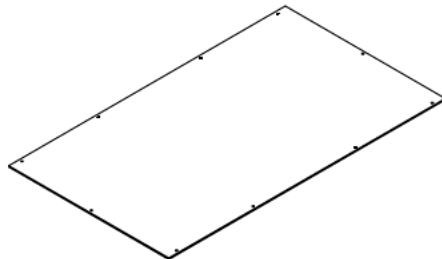
23X2



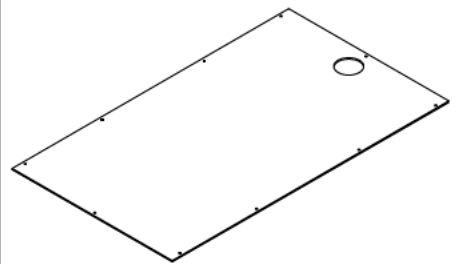
24X1



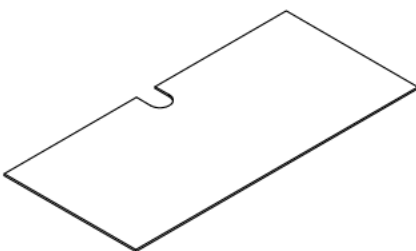
25X1



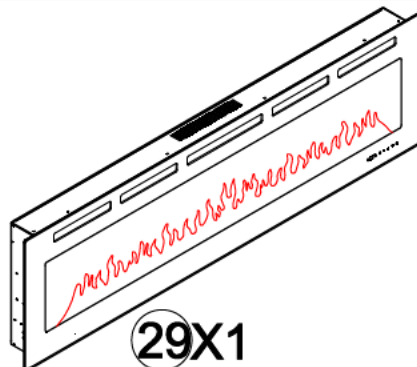
26X1



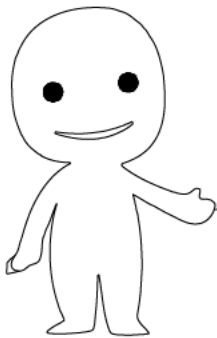
27X1



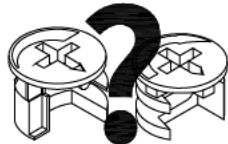
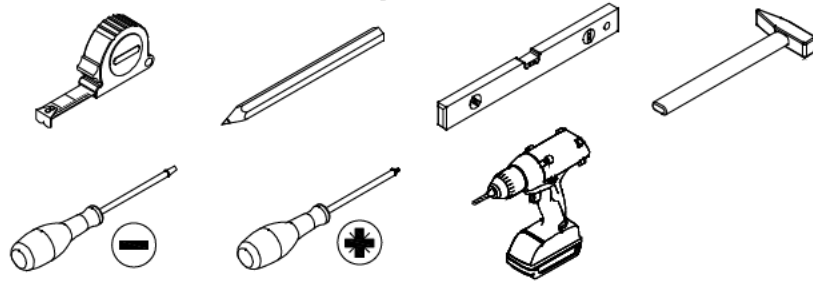
28X3



29X1



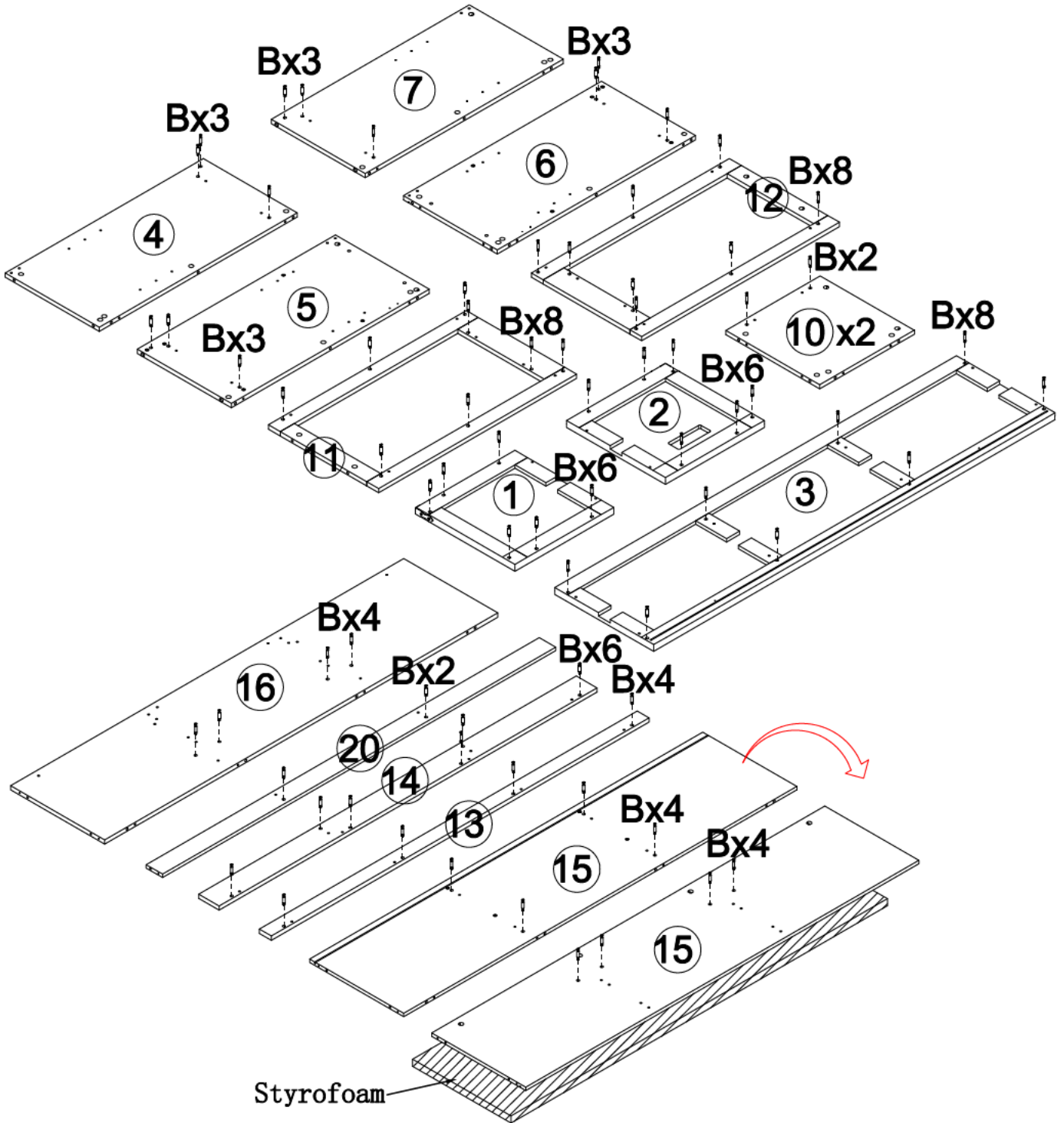
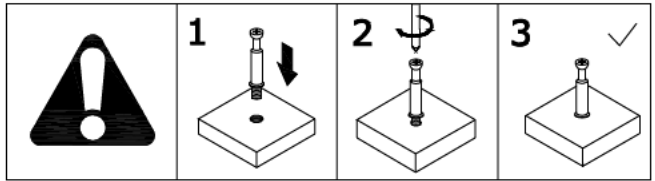
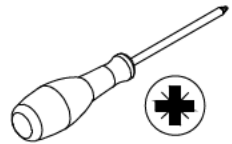
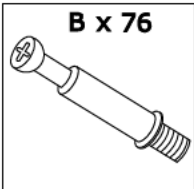
Please prepare the following tools




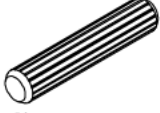

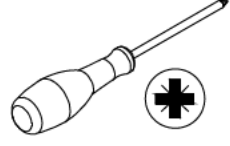
When installing, please carefully confirm whether each screw corresponds to the manual, accessories with similar shapes can be distinguished by size


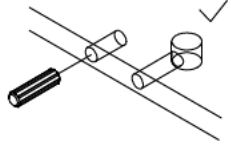
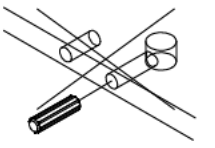
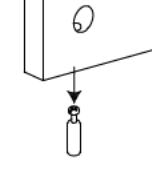
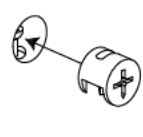

<p>A x 76+2</p> <p>Ø15 x 9.5 mm</p>	<p>B x 76+2</p>	<p>C x 114+2</p>	<p>D x 78+2</p> <p>Ø6 x 30 mm</p>
<p>E x 38+2</p> <p>Ø5 x 44 mm</p>	<p>F x 4</p>	<p>G x 48+2</p> <p>Ø3.5 x 12</p>	<p>H x 2</p>
<p>I x 6+1</p> <p>Ø3 x 12</p>	<p>J</p> <p>J1x2 J2x2</p>	<p>K x 4+1</p> <p>Ø6 x 25</p>	<p>L x 12+1</p>
<p>M x 16+1</p> <p>Ø3 x 16</p>	<p>N</p> <p>N1 x 2 N2 x 2 N3 x 2</p>	<p>O x 2</p>	<p>P x 8+1</p>
<p>Q</p> <p>Q1 x 1 Q2 x 1 Q3 x 1</p>	<p>R x 1</p>	<p>S x 2</p>	
<p>T x 2</p>	<p>U</p> <p>U1 U2 U3 x 1</p>	<p>Fig. 1 OR Fig. 2</p>	

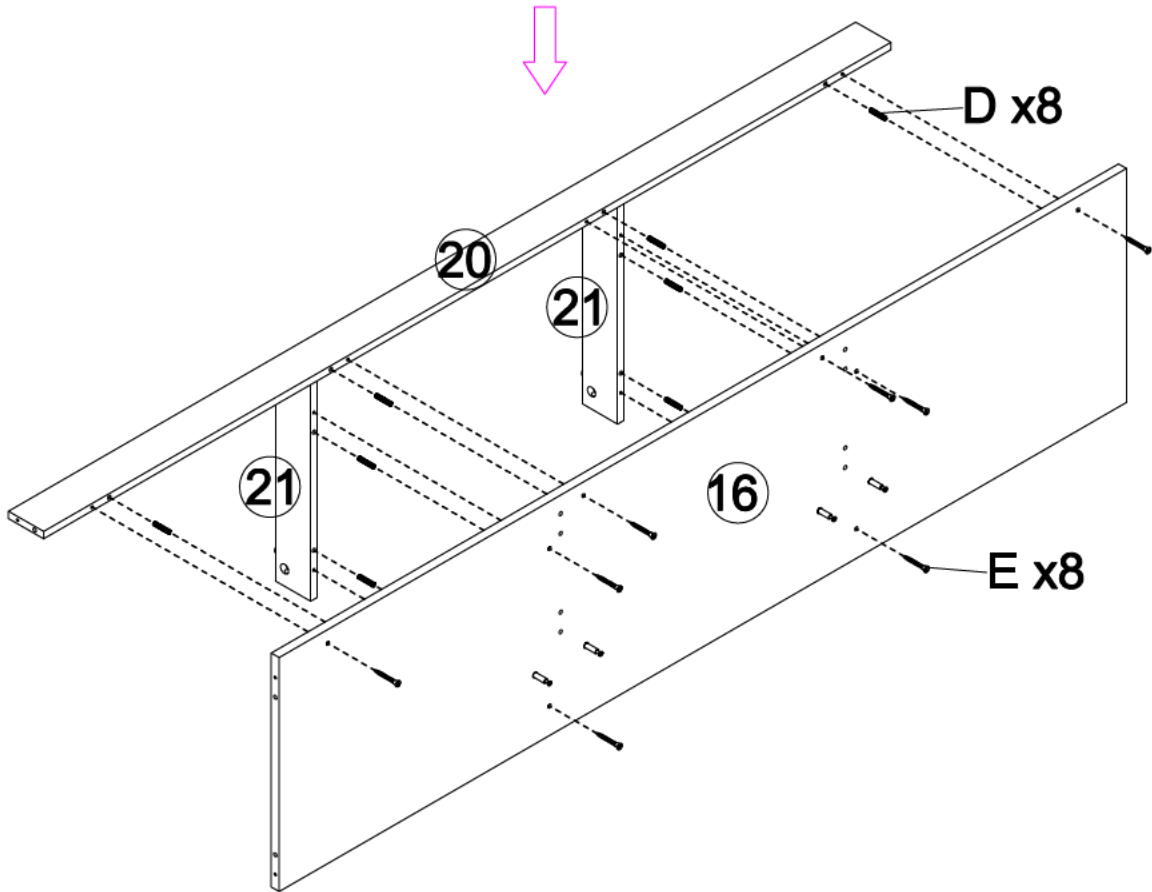
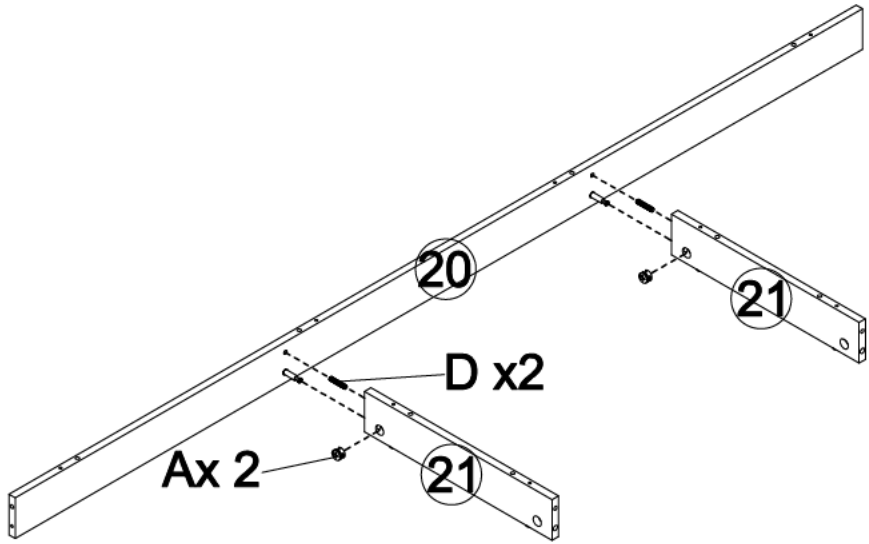
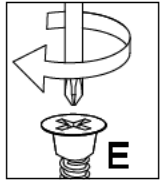
1






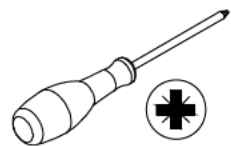

2


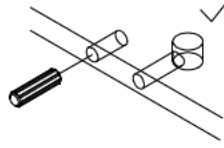
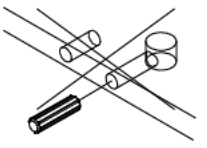
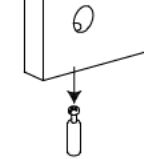
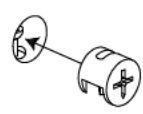

A x 2  Ø15 x 9.5 mm	D x 10  Ø6 x 30 mm	E x 8  Ø5 x 44 mm	 +
---	--	---	--

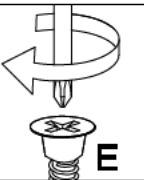
					
---	---	---	---	---	---



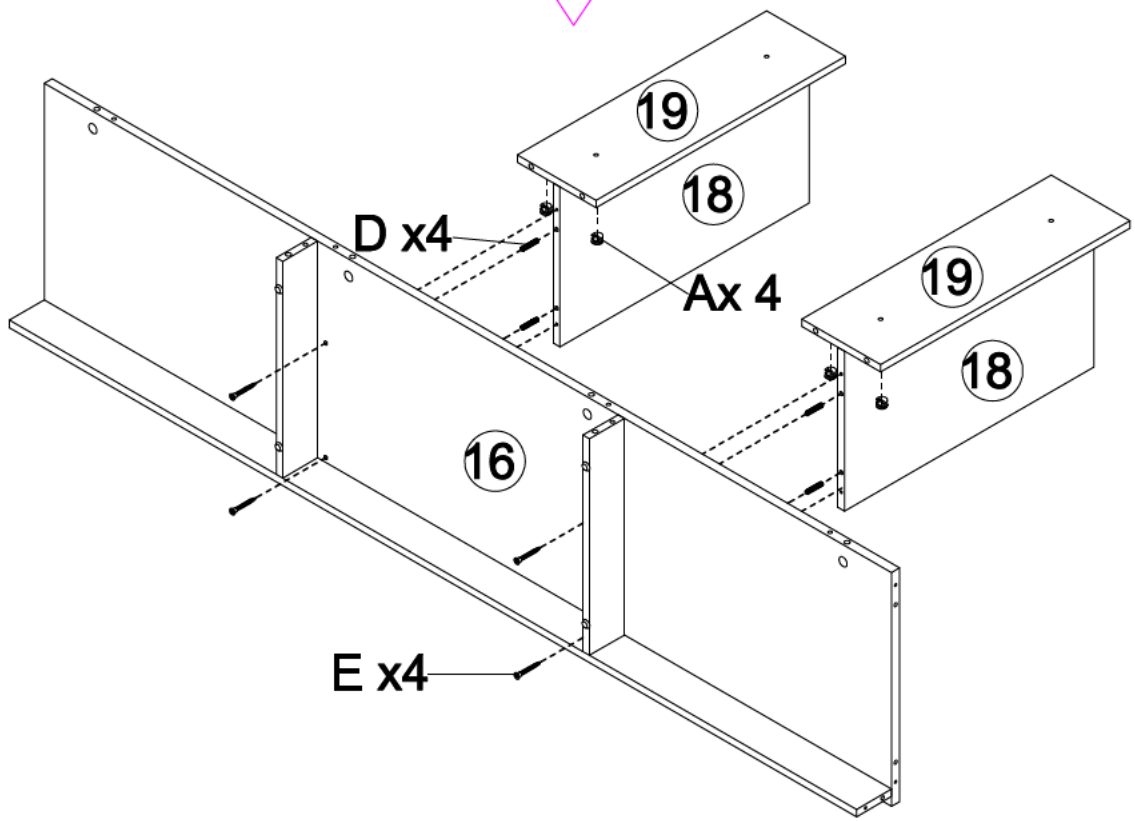
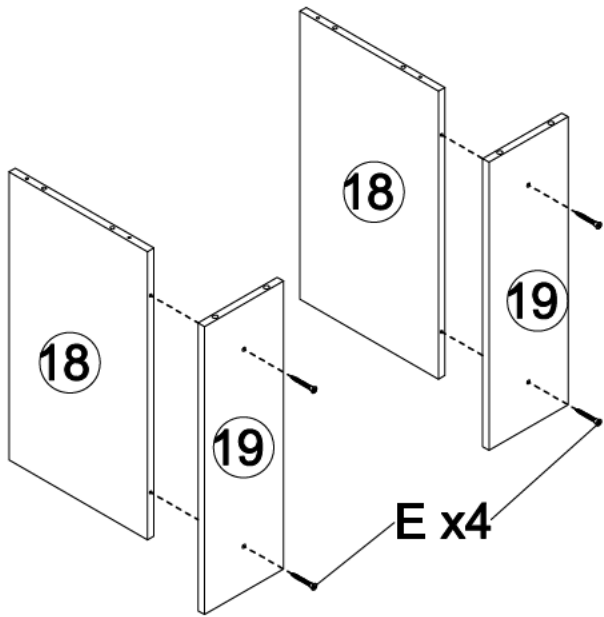
3

A x 4  Ø15 x 9.5 mm	D x 4  Ø6 x 30 mm	E x 8  Ø5 x 44 mm	 
---	---	---	--



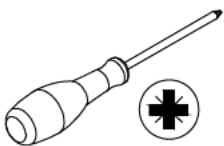

					
---	---	---	---	---	---


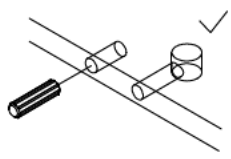
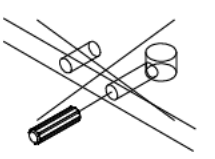
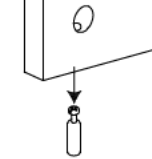
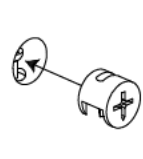
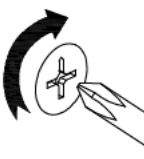


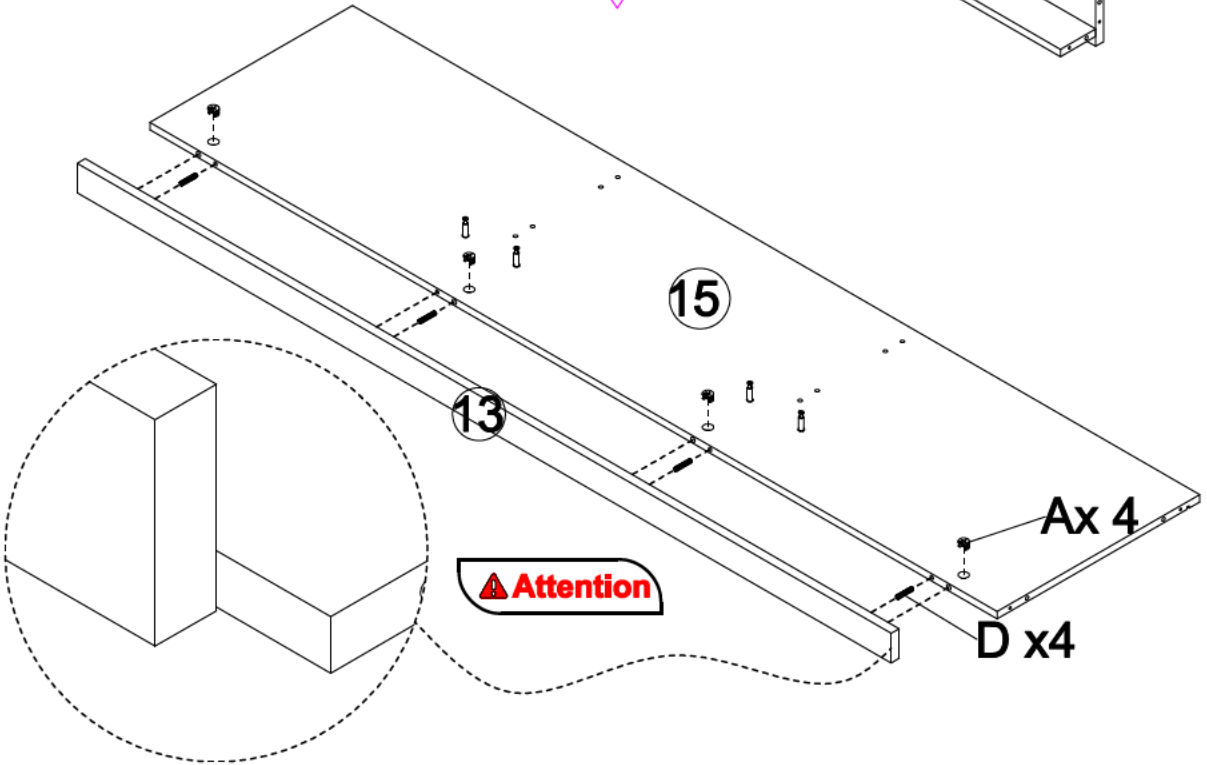
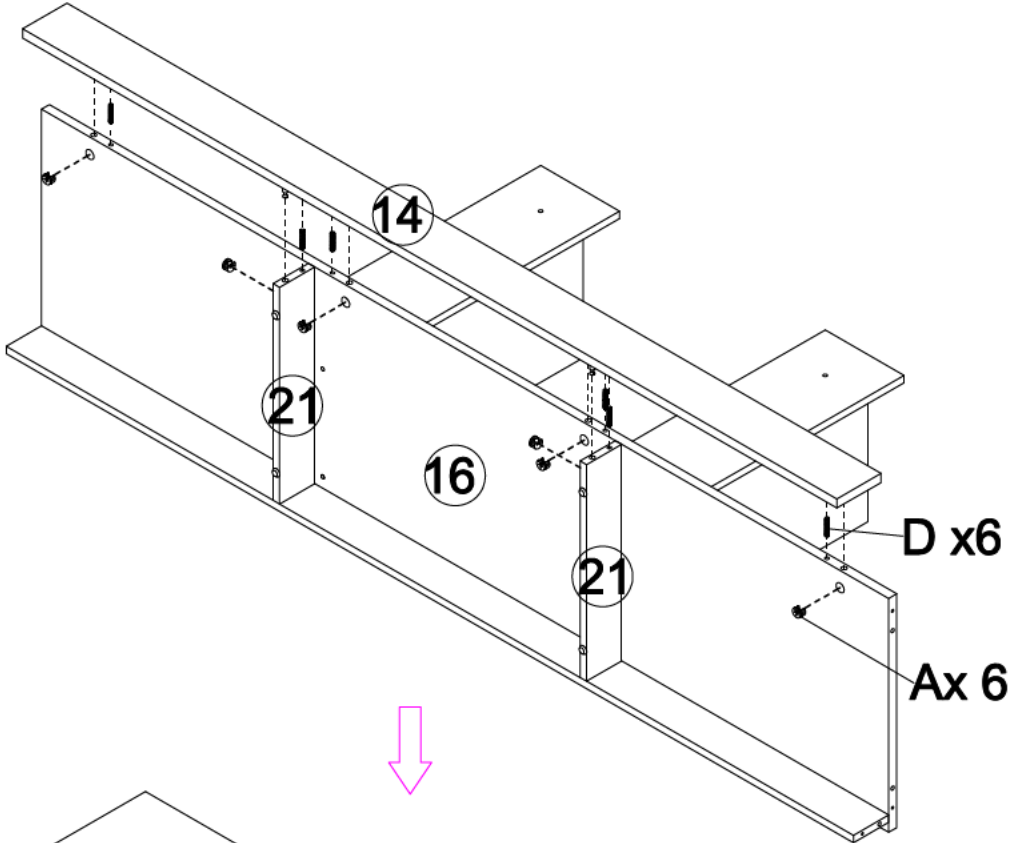
E






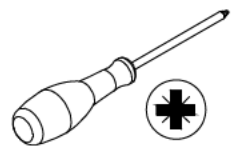
4


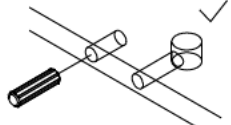
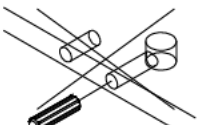
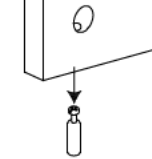
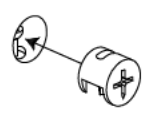
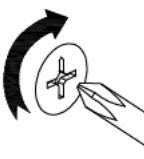
A x 10  Ø15 x 9.5 mm	D x 10  Ø6 x 30 mm	 
--	--	--

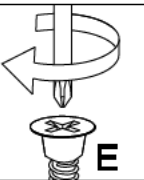
					
---	---	---	---	---	---



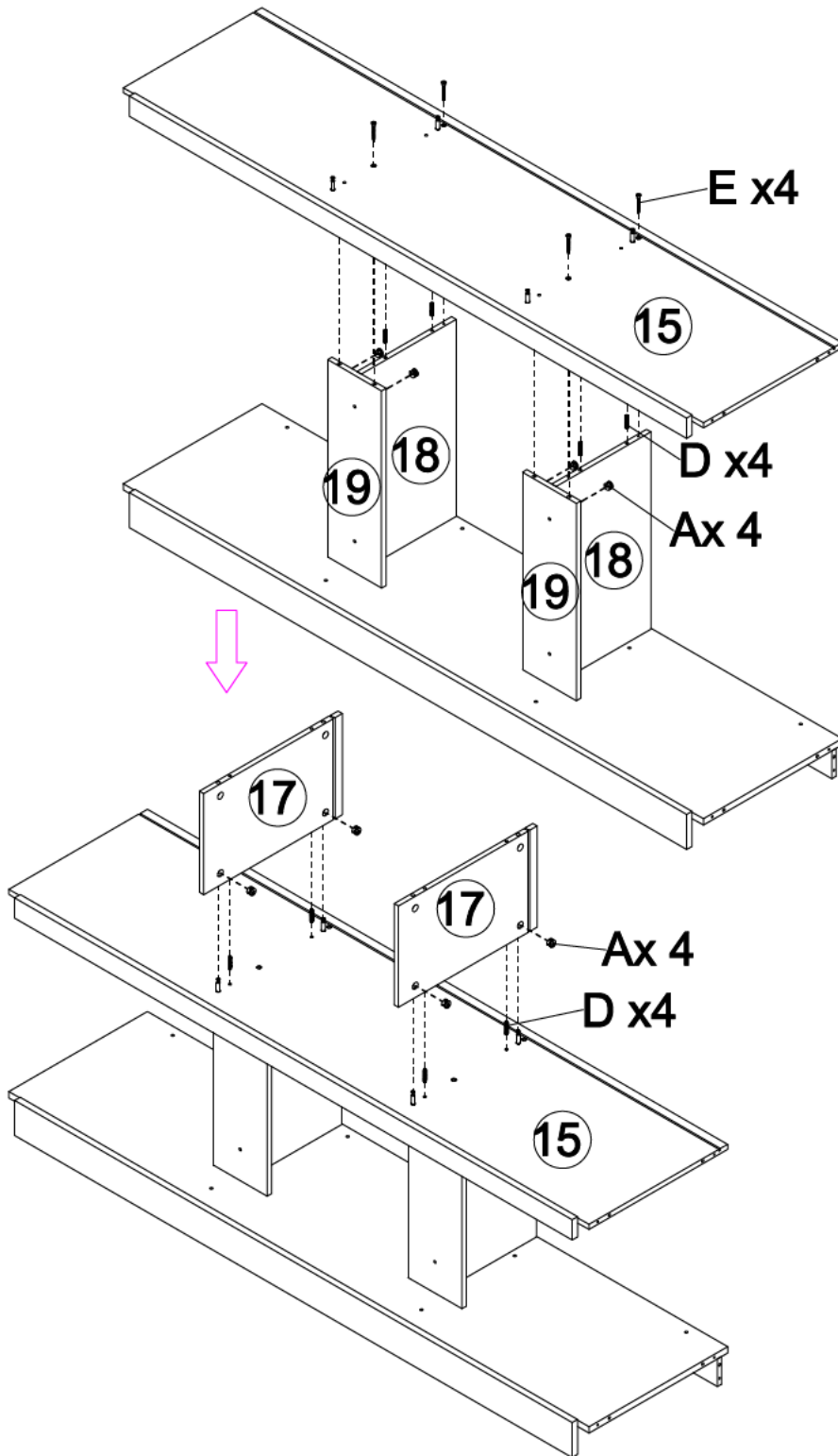
5

A x 8  Ø15 x 9.5 mm	D x 8  Ø6 x 30 mm	E x 4  Ø5 x 44 mm	 +
---	---	---	--





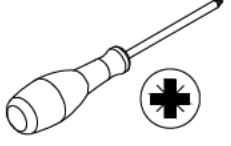
					
---	---	---	---	---	---

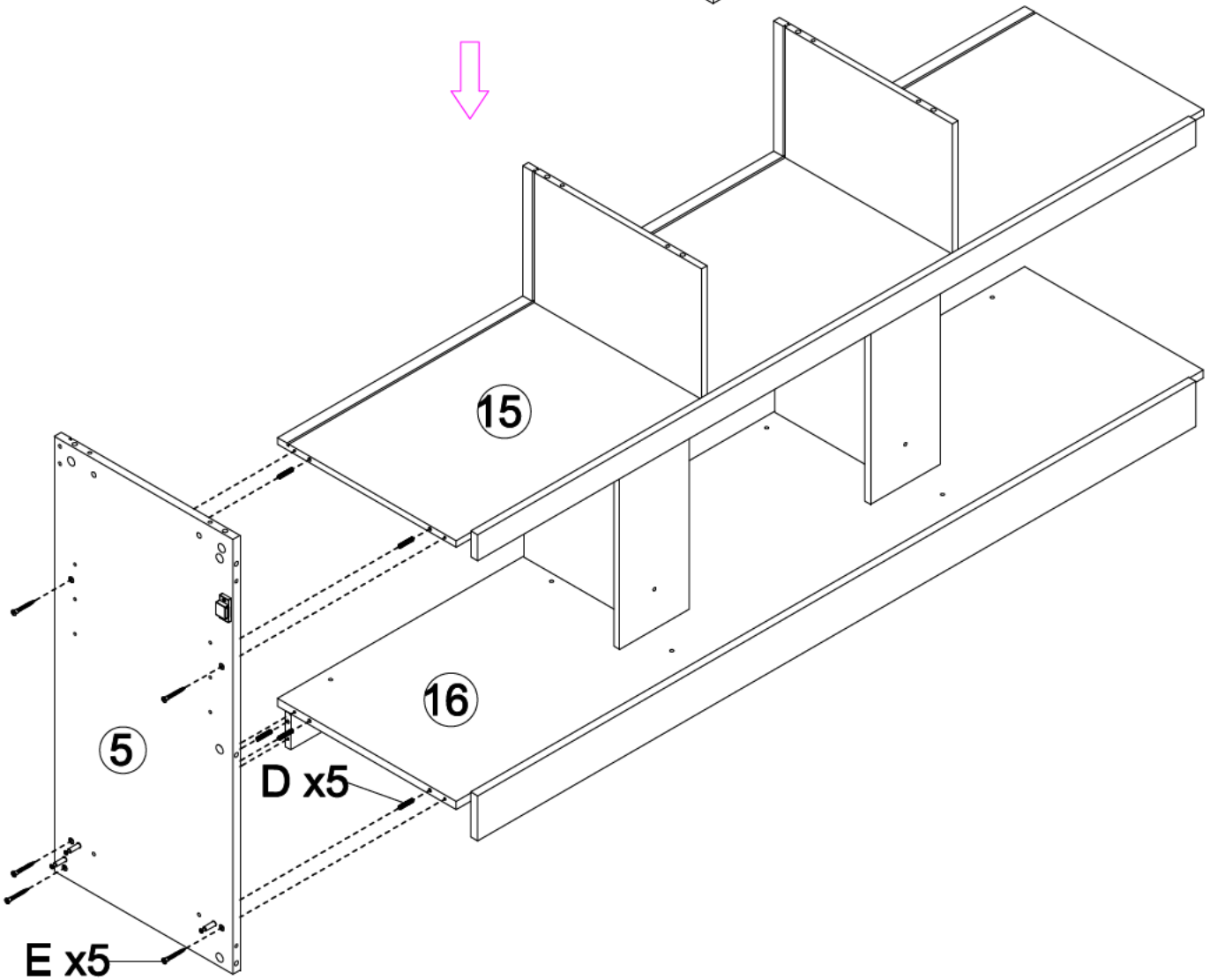
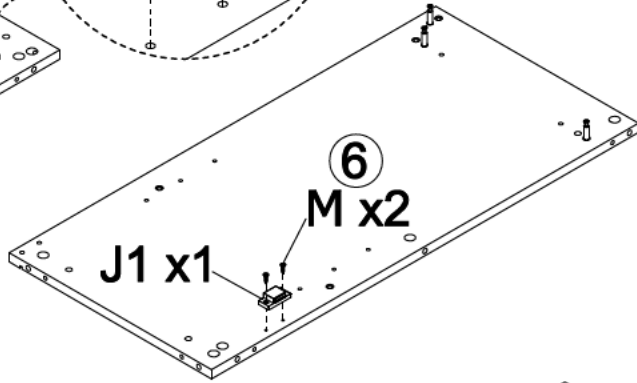
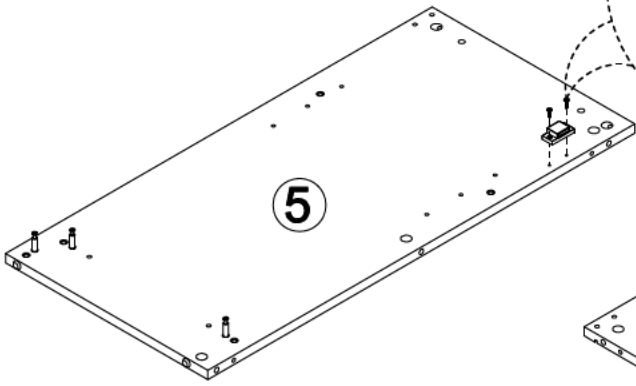
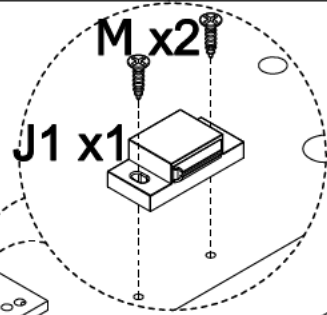
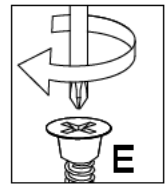


E



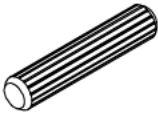
6

D x 5  Ø6 x30 mm	E x 5  Ø5 x44 mm	J1 x 2 	M x 4  Ø3 x 16	
--	--	--	---	---



7

D x 5

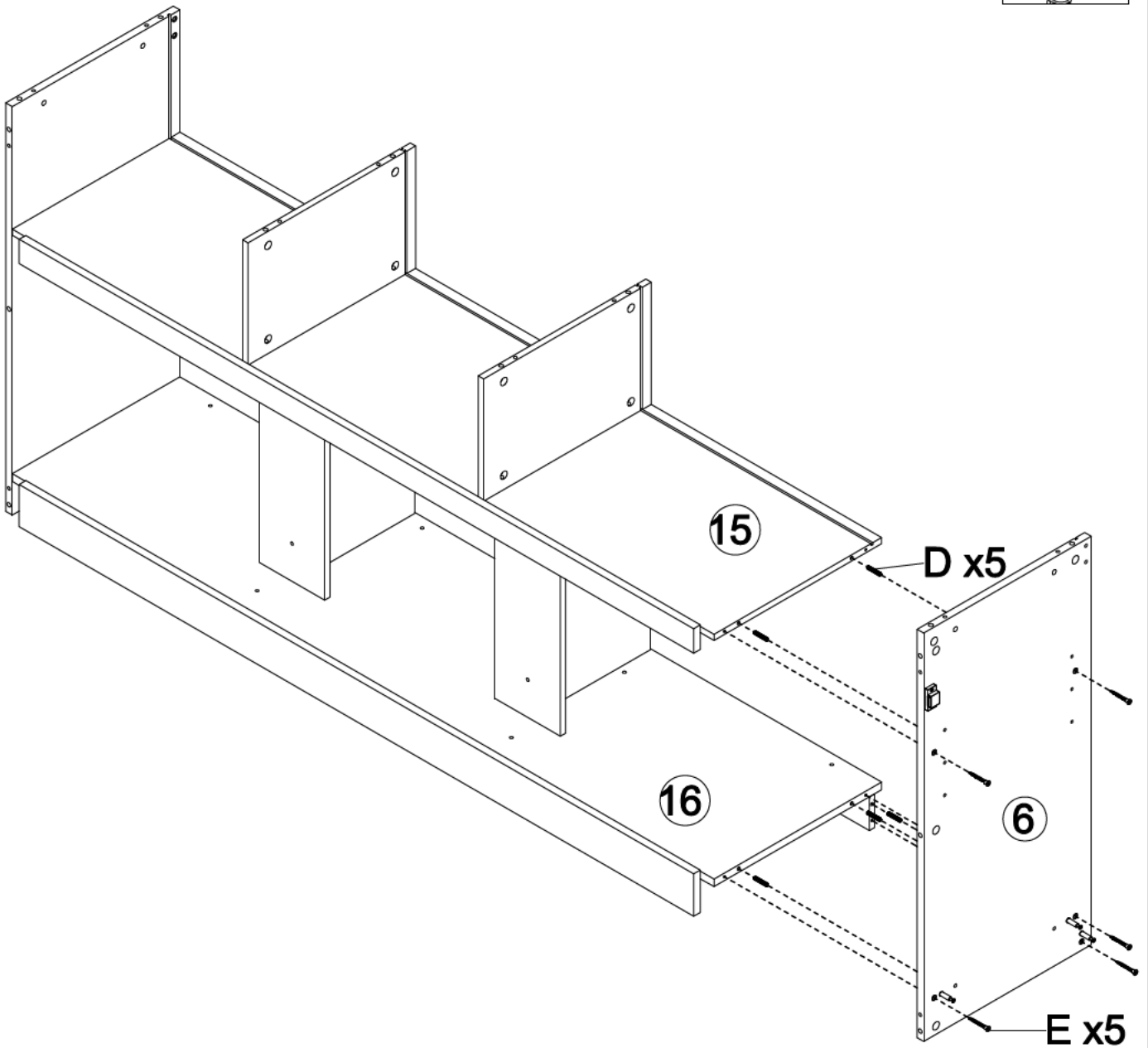
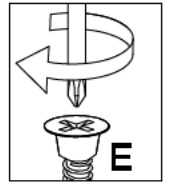
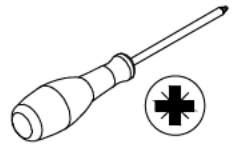


Ø6 x30 mm



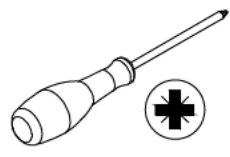


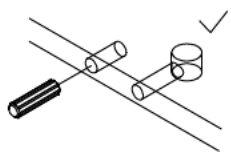
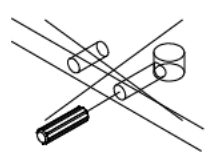
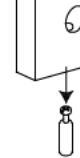
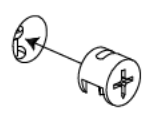
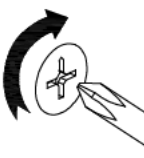
E x 5

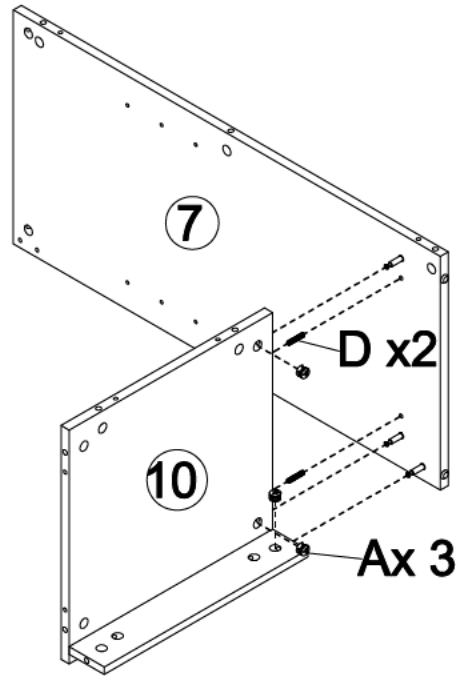
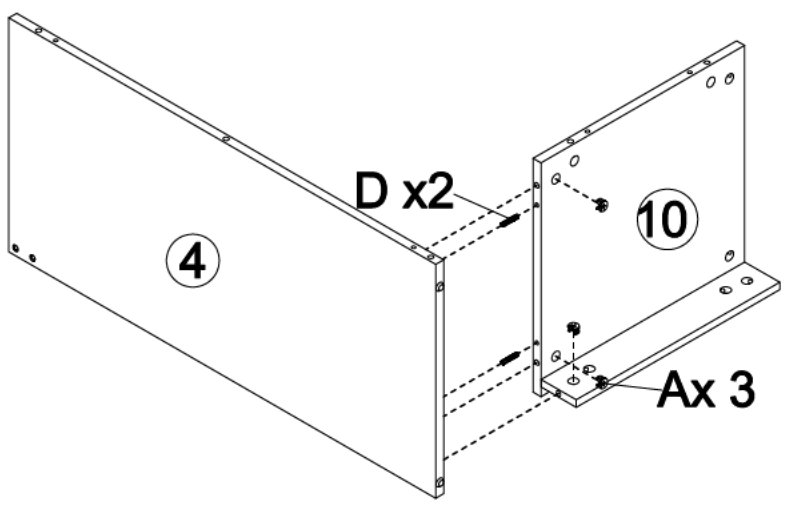
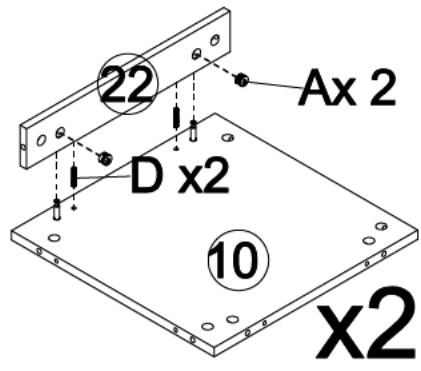


Ø5 x44 mm



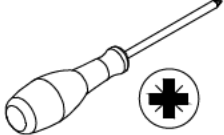



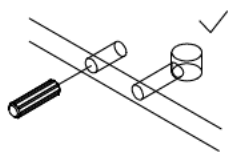
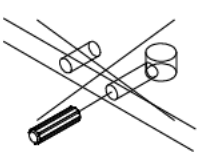
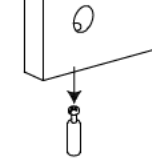
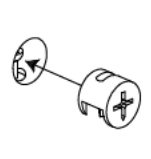
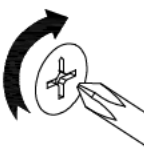
8

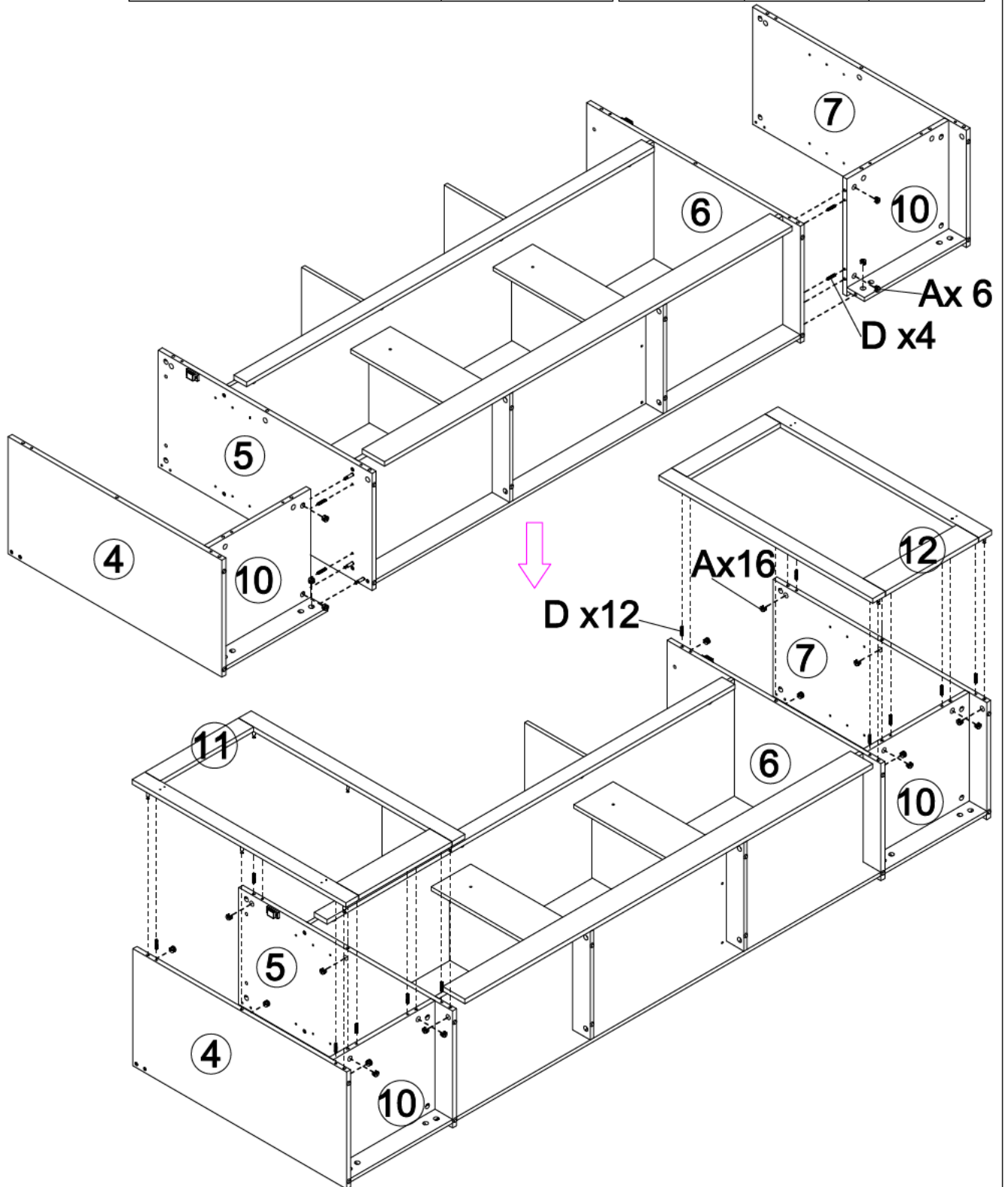
A x 10  Ø15 x 9.5 mm	D x 8  Ø6 x 30 mm	 
		
		



9

A x 22  Ø15 x 9.5 mm	D x 16  Ø6 x 30 mm	 
---	---	--

					
---	---	---	---	---	---

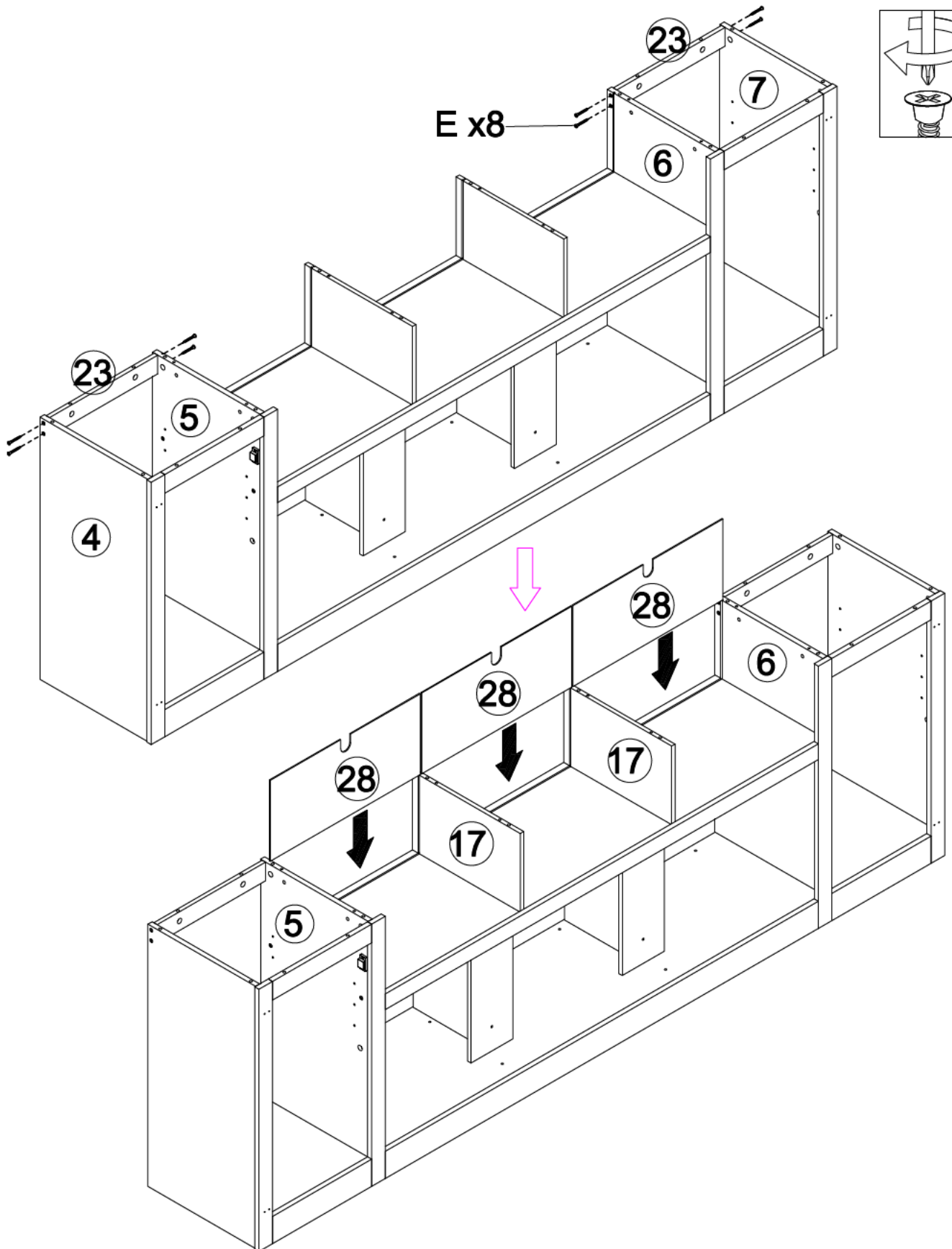
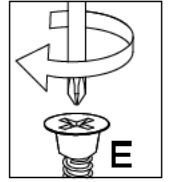
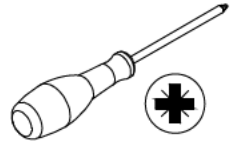


10

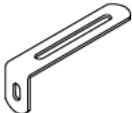

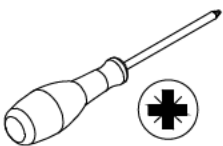

E x 8

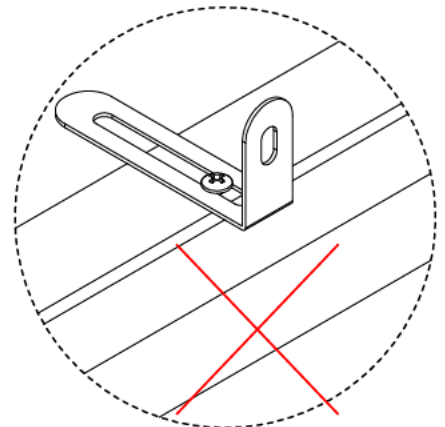
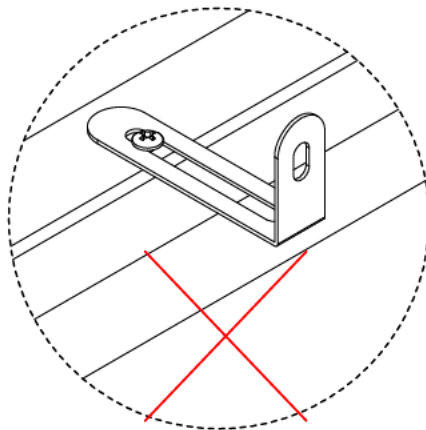
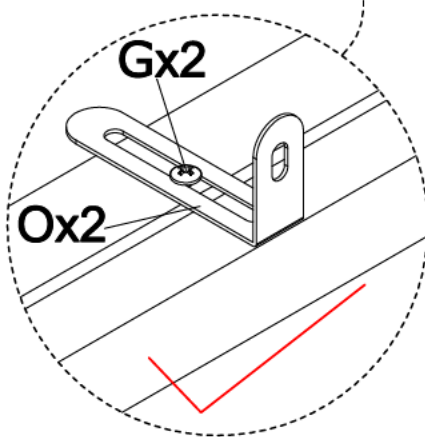
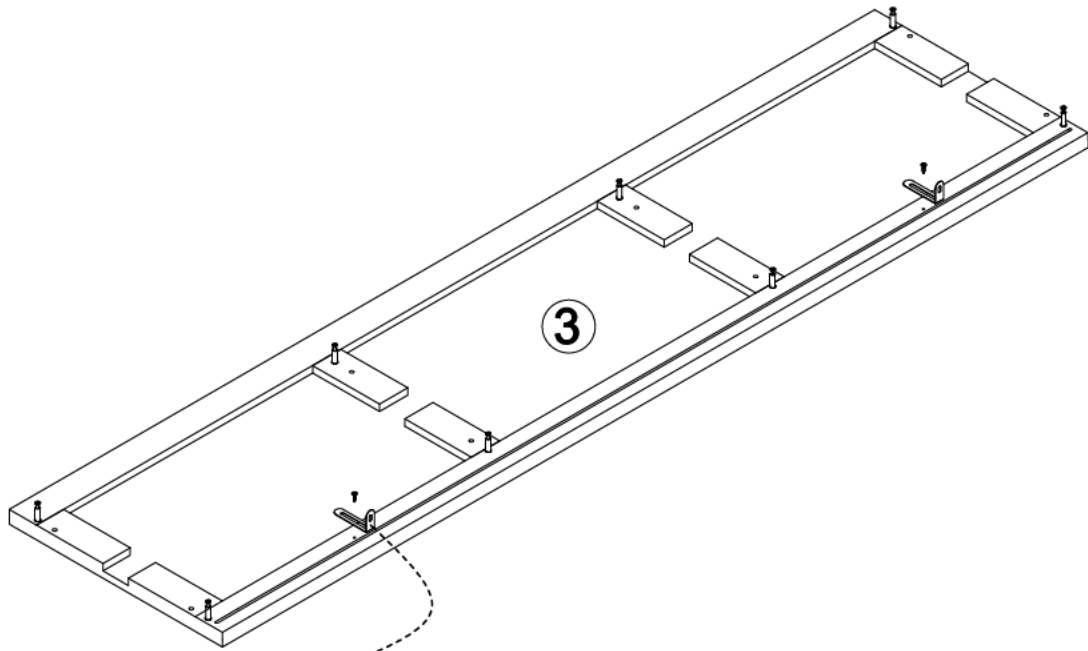


Ø5 x44 mm

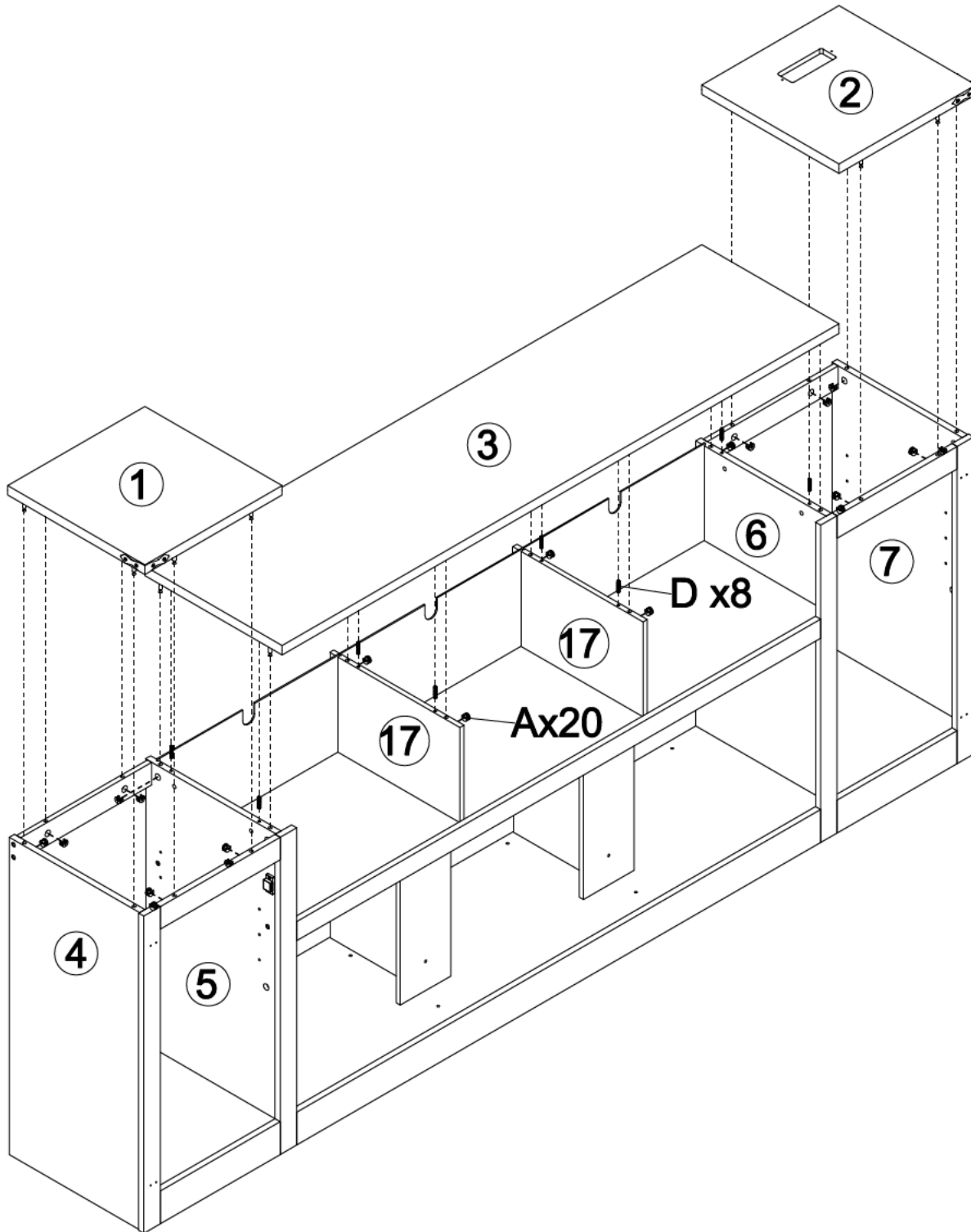
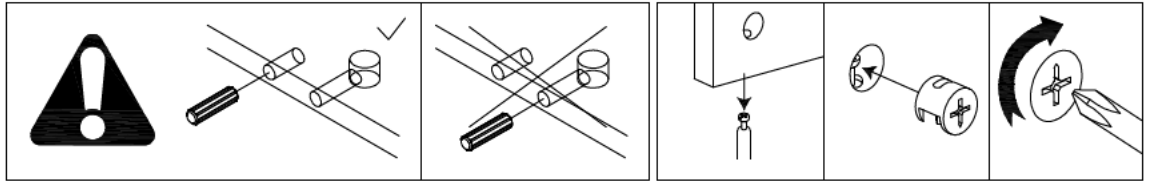
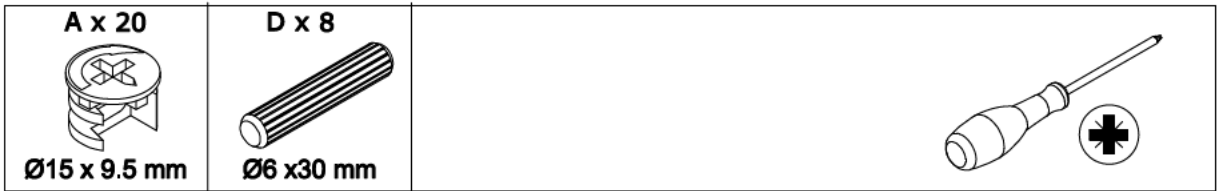


11

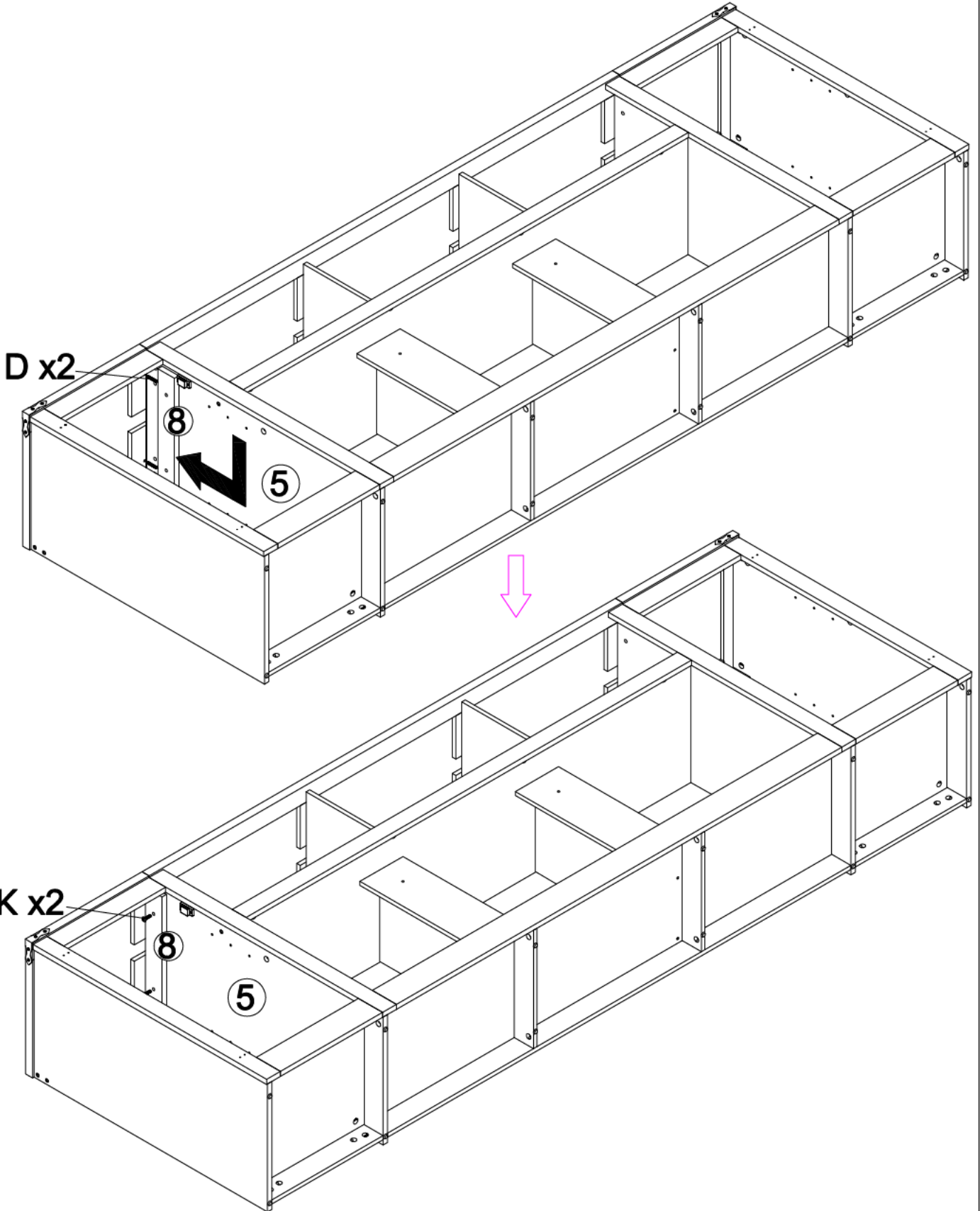
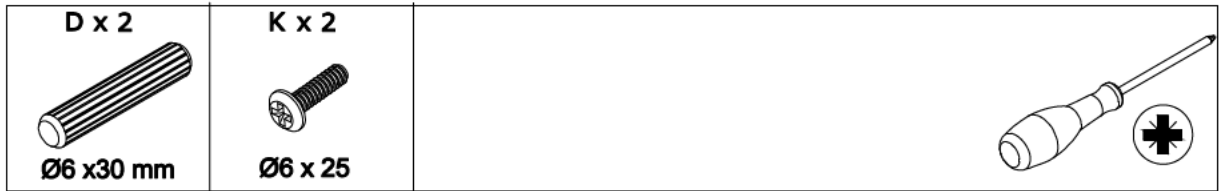
<p>Ox 2</p> 	<p>Gx 2</p>  <p>Ø3.5 x 12</p>	 
---	--	---



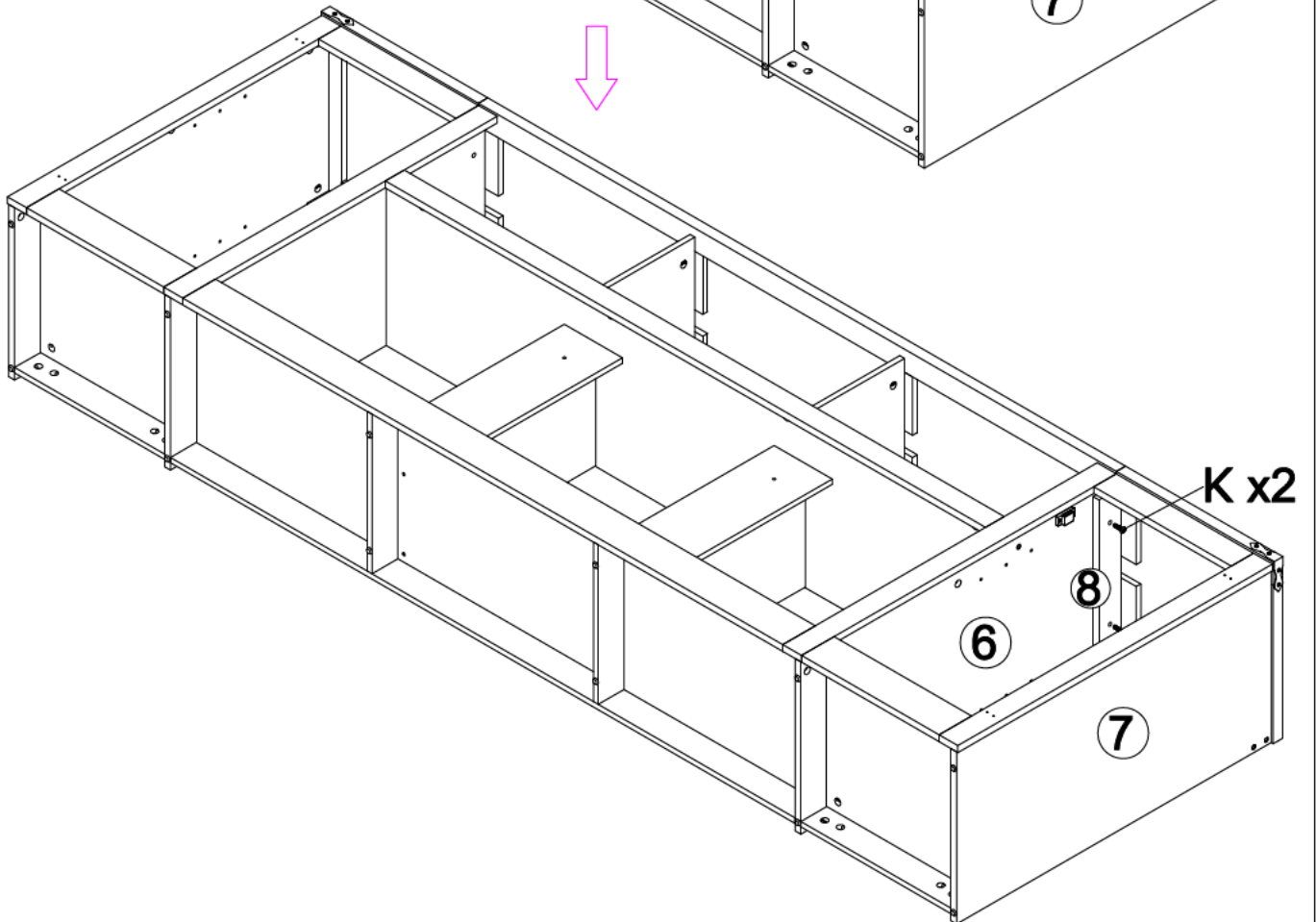
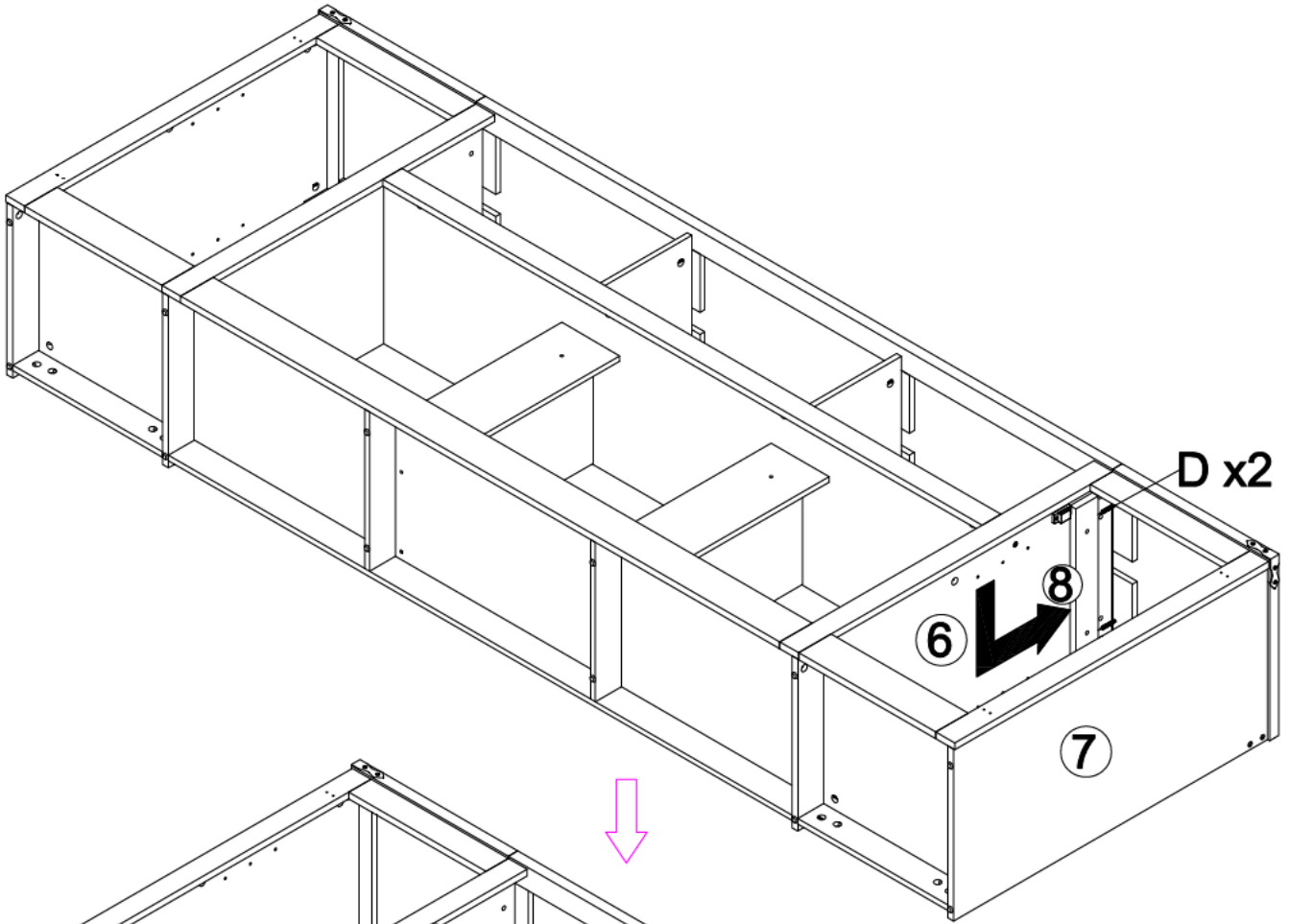
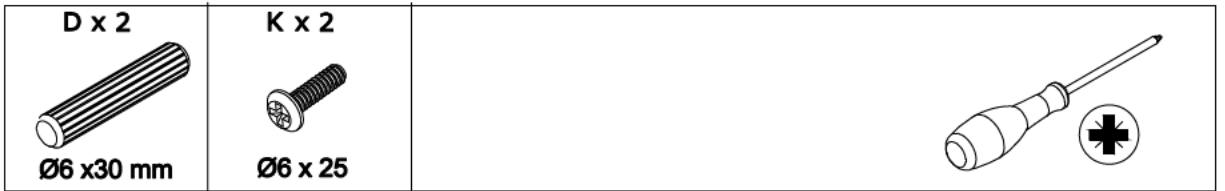
12



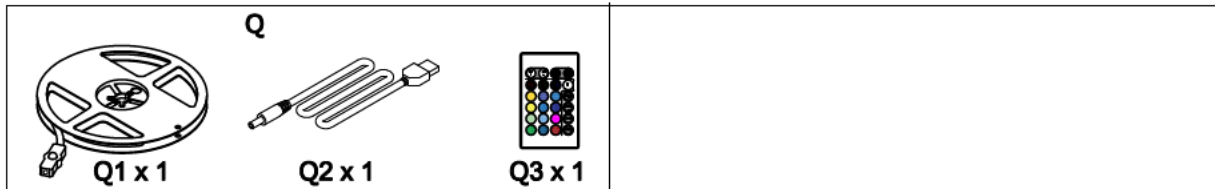
13



14



15



Stick the LED lights on the bottom of the board

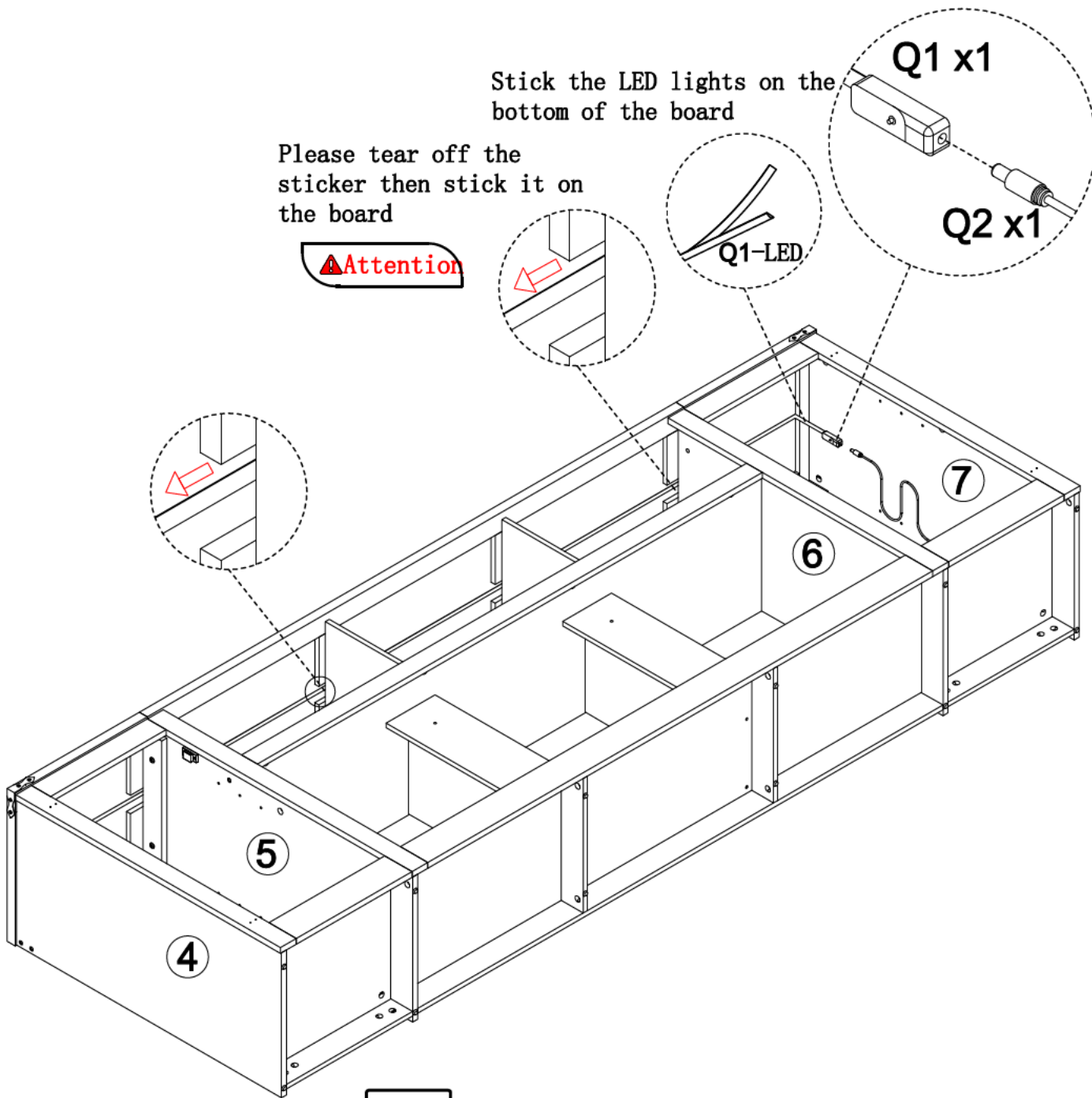
Please tear off the sticker then stick it on the board

Attention

Q1 x 1

Q2 x 1

Q1-LED

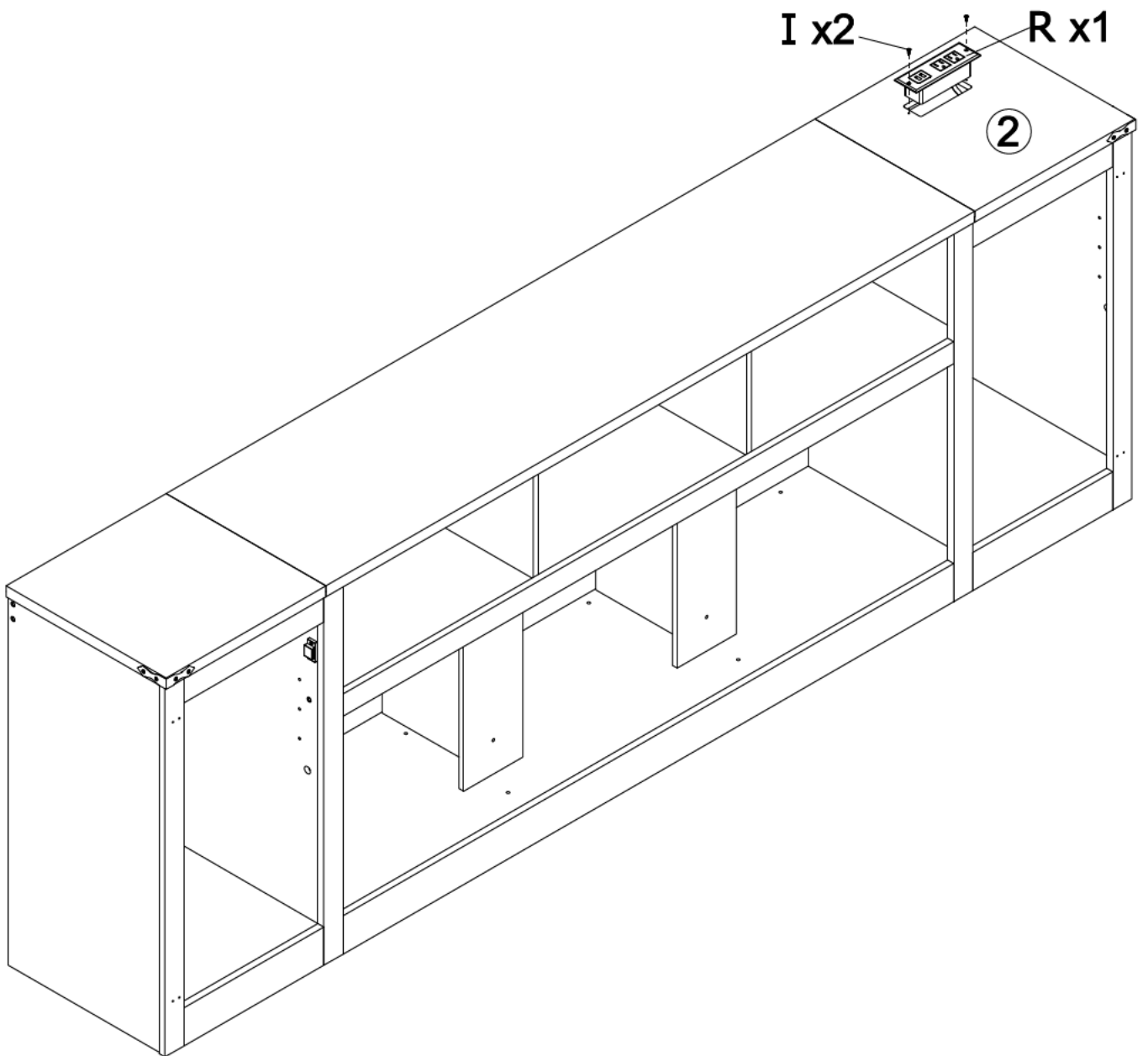
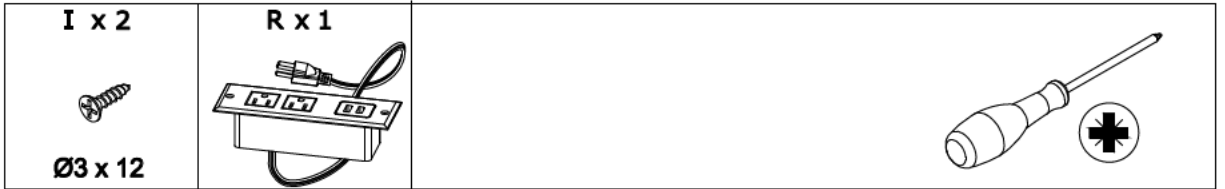


Q3


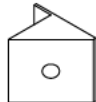

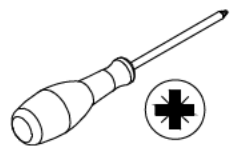

When the remote buttons are insensitive or unresponsive, You'll need to replace the battery or use your phone's Bluetooth control.

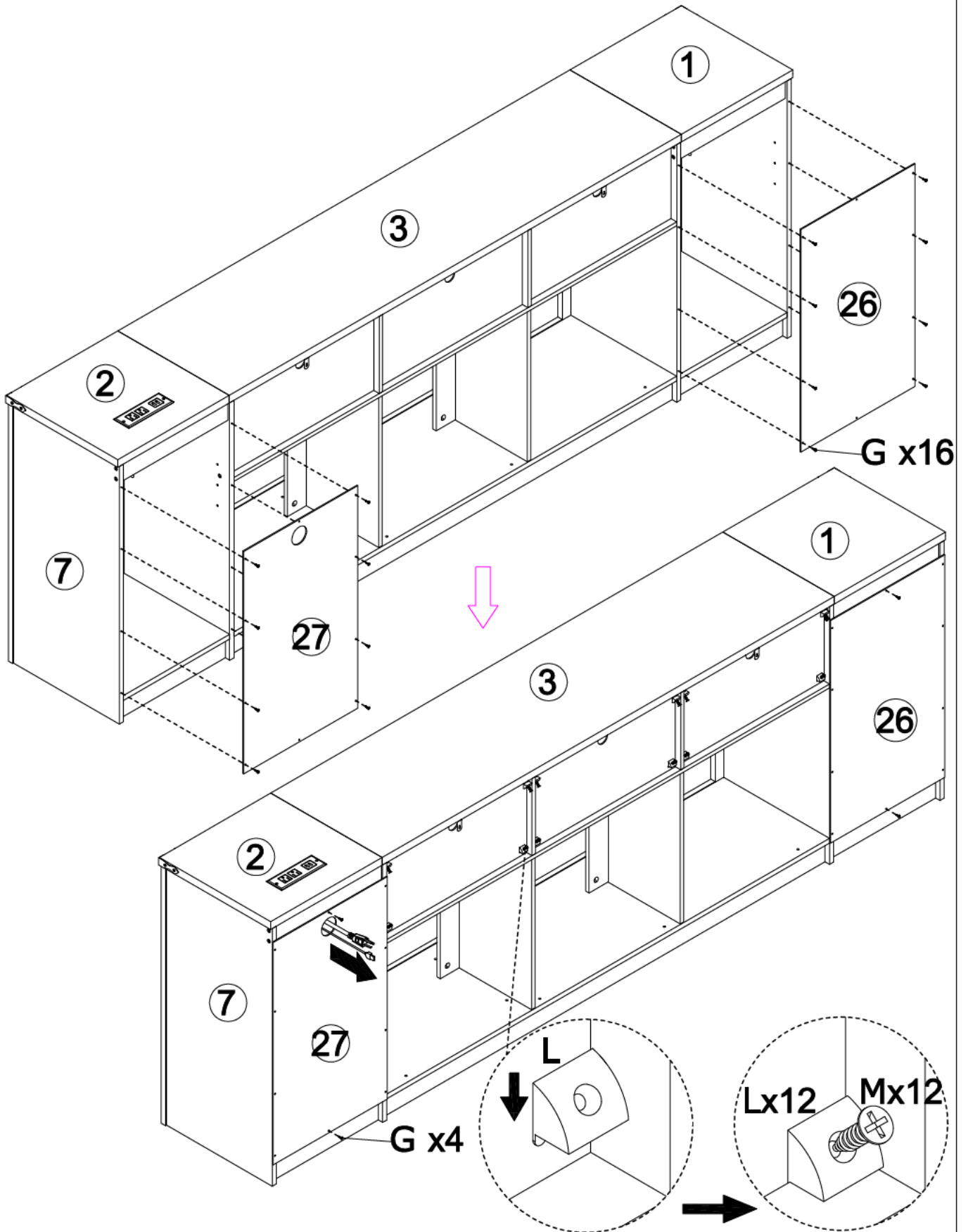
Attention

16



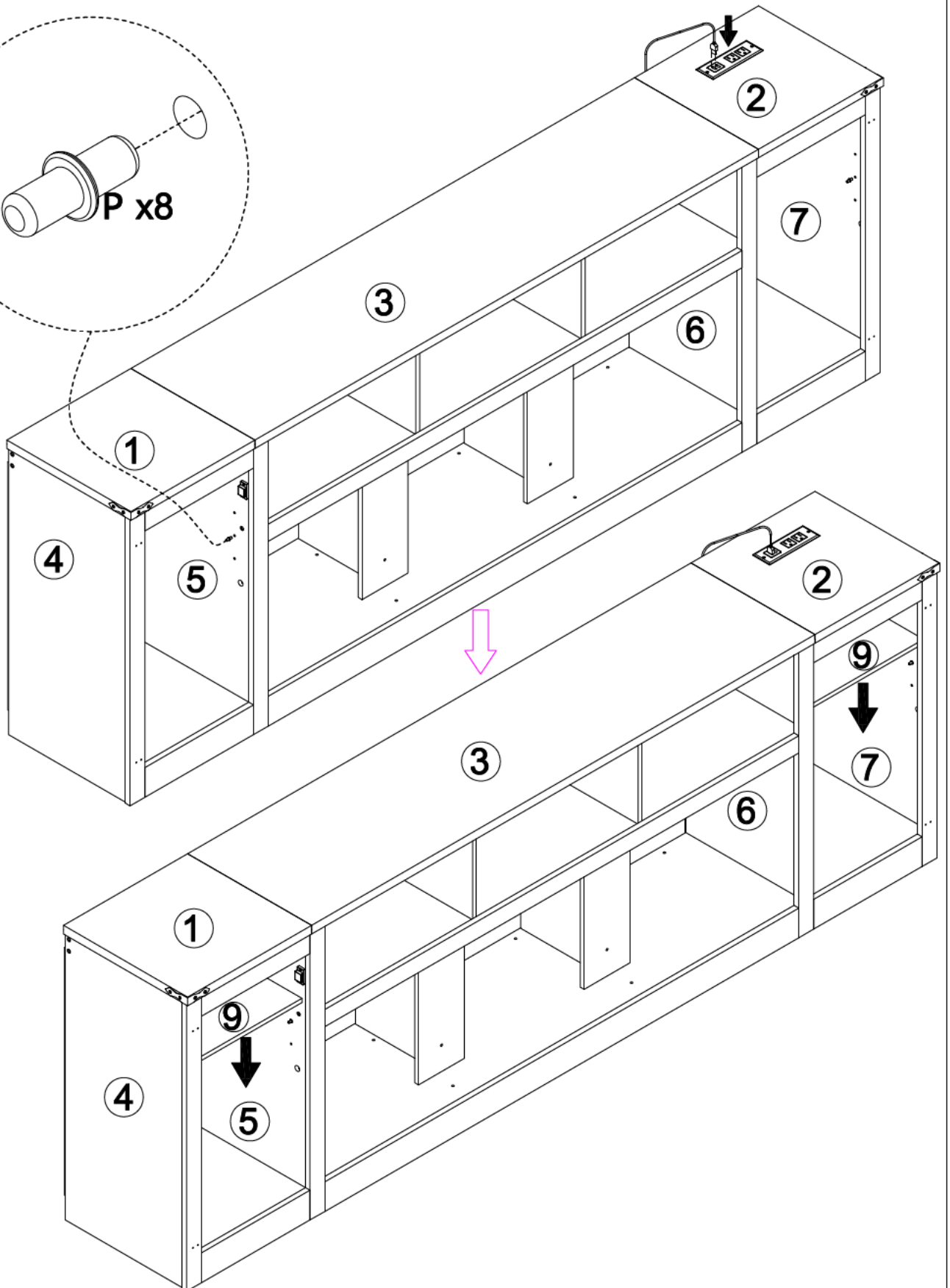
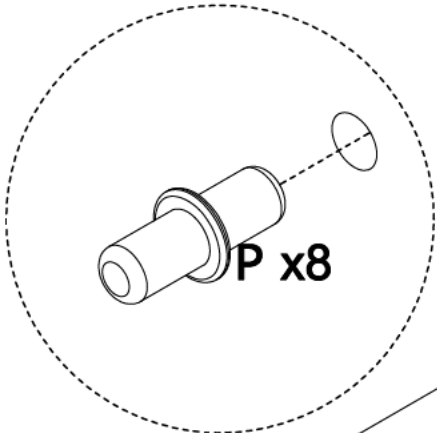
17

G x 20  Ø3.5 x 12	L x 12 	M x 12  Ø3 x 16	 
---	--	---	---

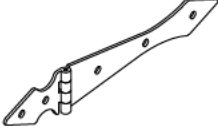




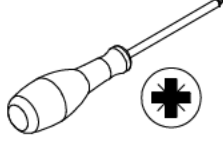


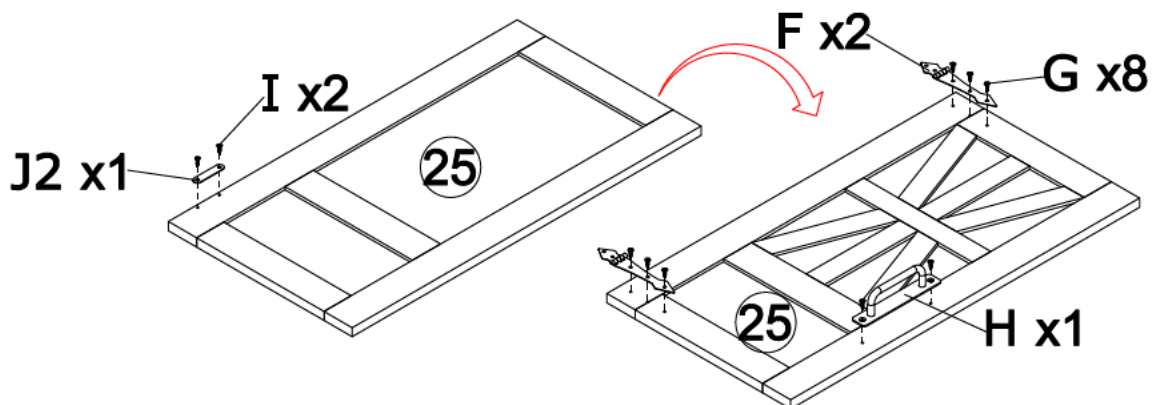
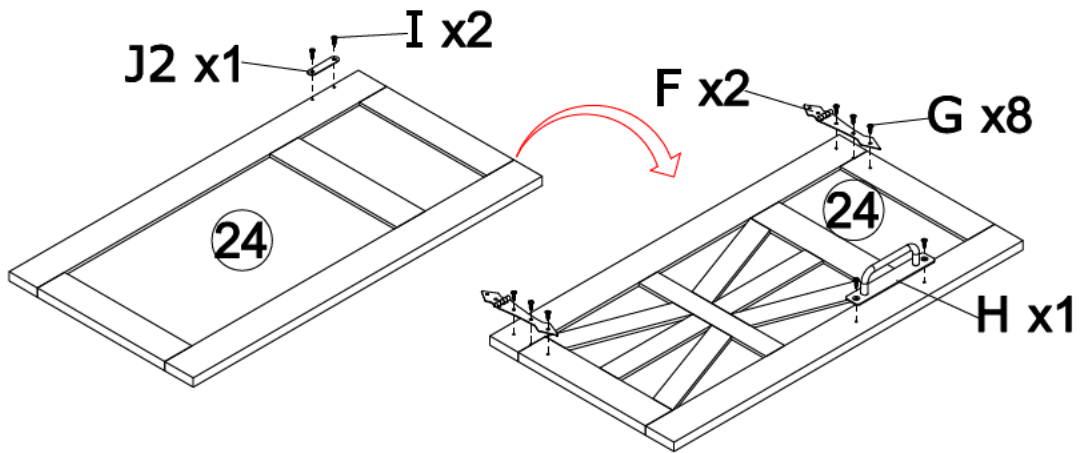
18

P x 8



19

F x 4 	G x 16  Ø3.5 x 12	H x 2 	I x 4  Ø3 x 12	J2 x 2 	
---	---	---	--	--	---

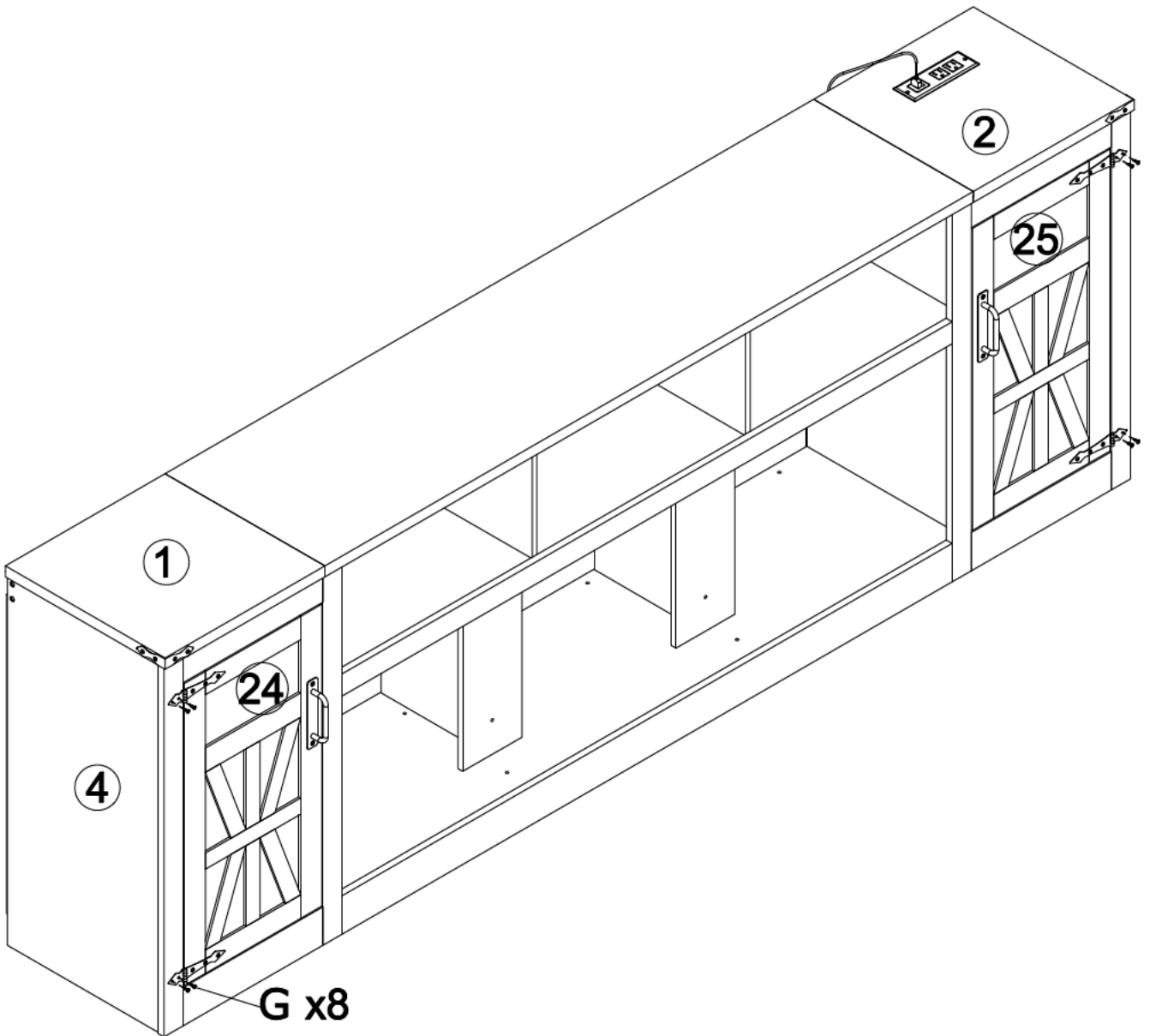
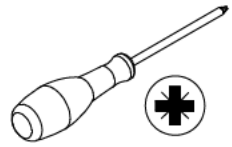


20

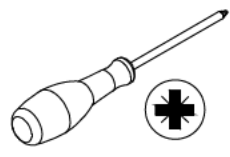
G x 8



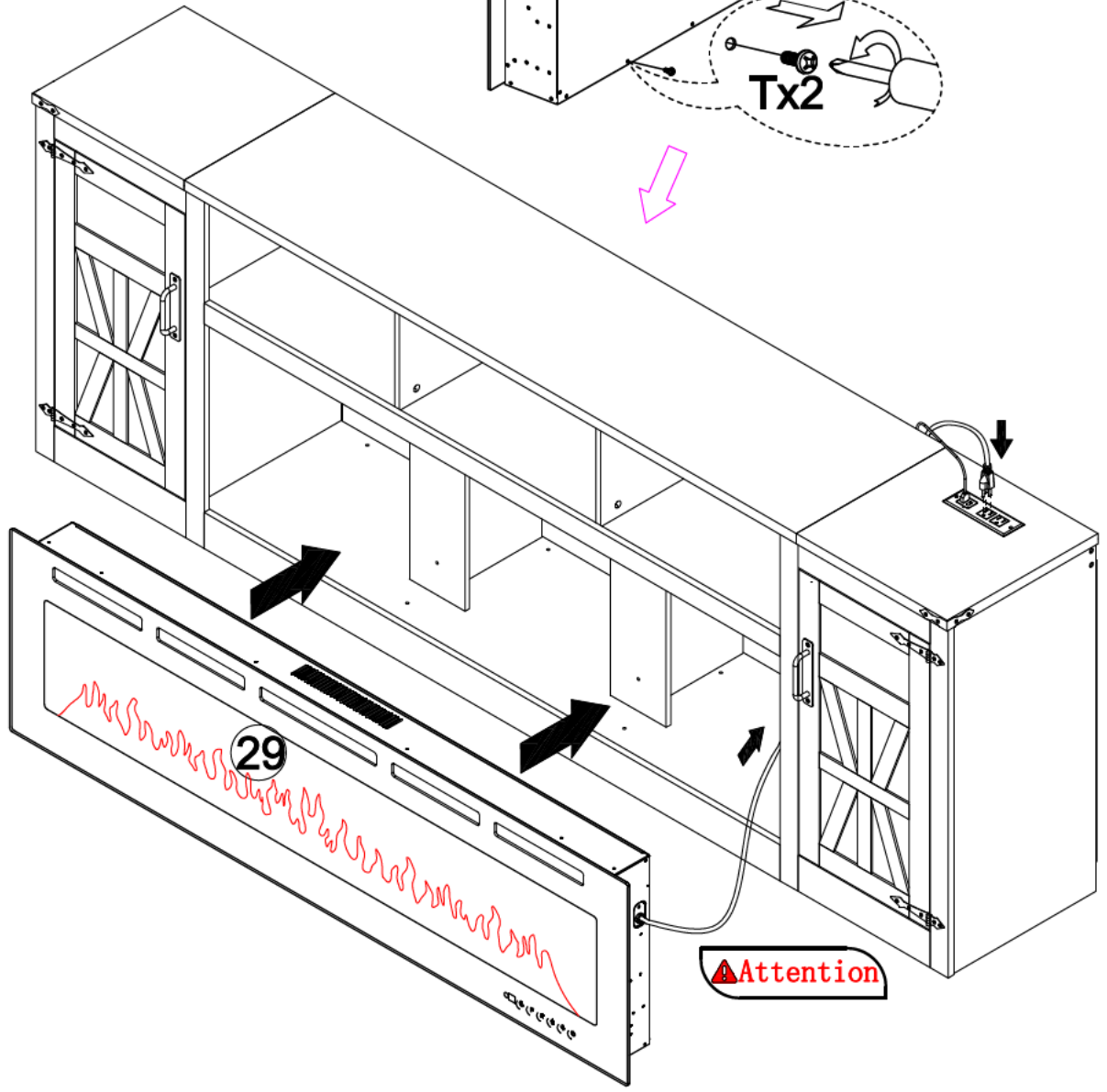
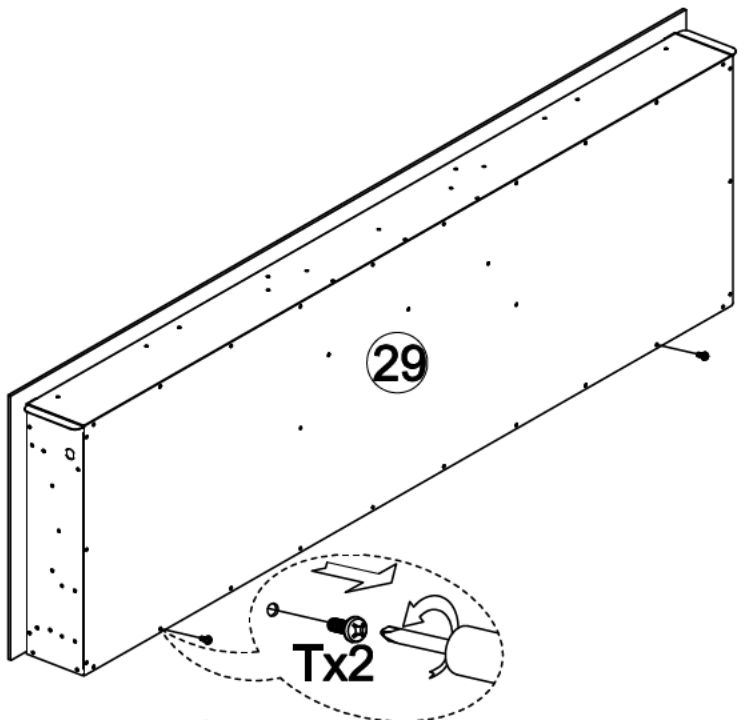
Ø3.5 x 12






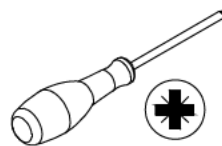
21

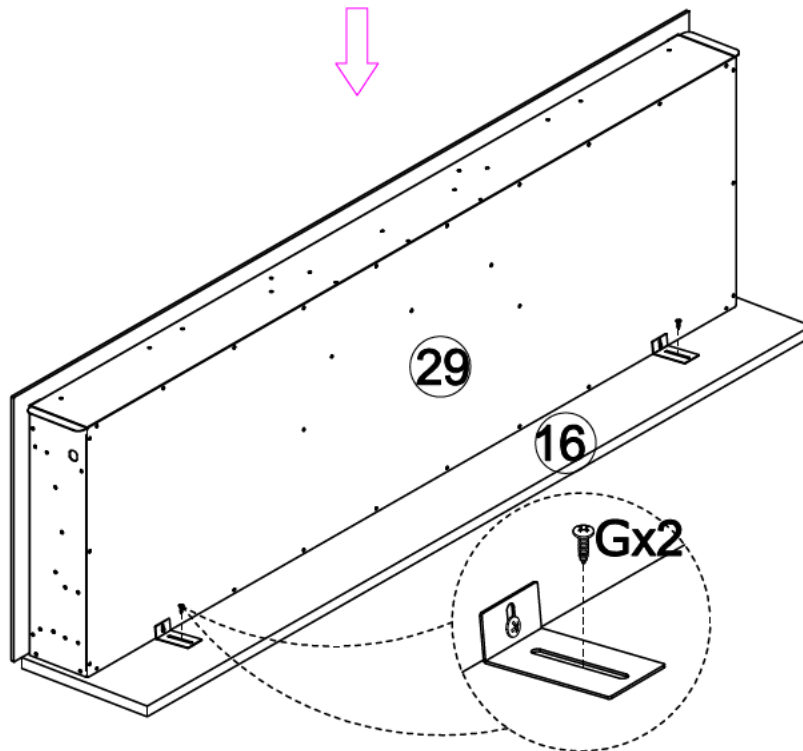
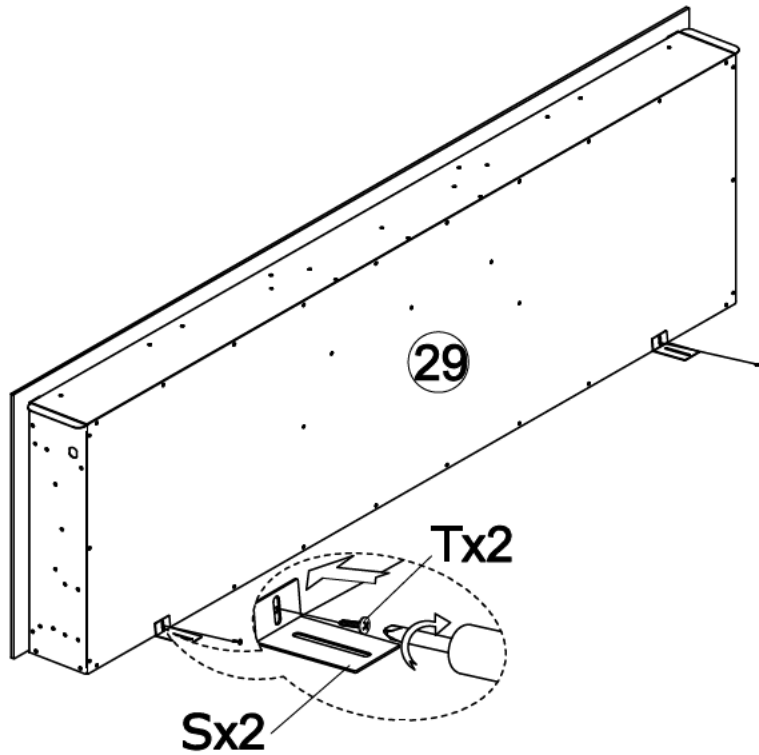


Recommend two adults to complete.

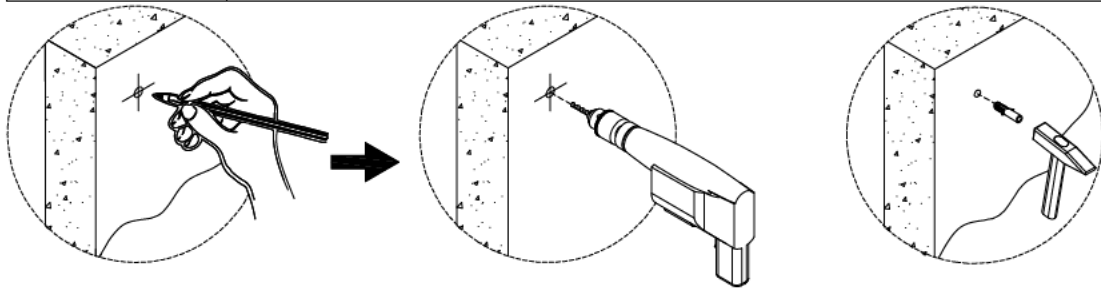
An icon showing two stylized human figures standing next to a stack of books, used to indicate that two adults should perform this step.

22

<p>G x 2</p>  <p>Ø3.5 x 12</p>	<p>S x 2</p> 	<p>T x 2</p> 	
---	--	--	---

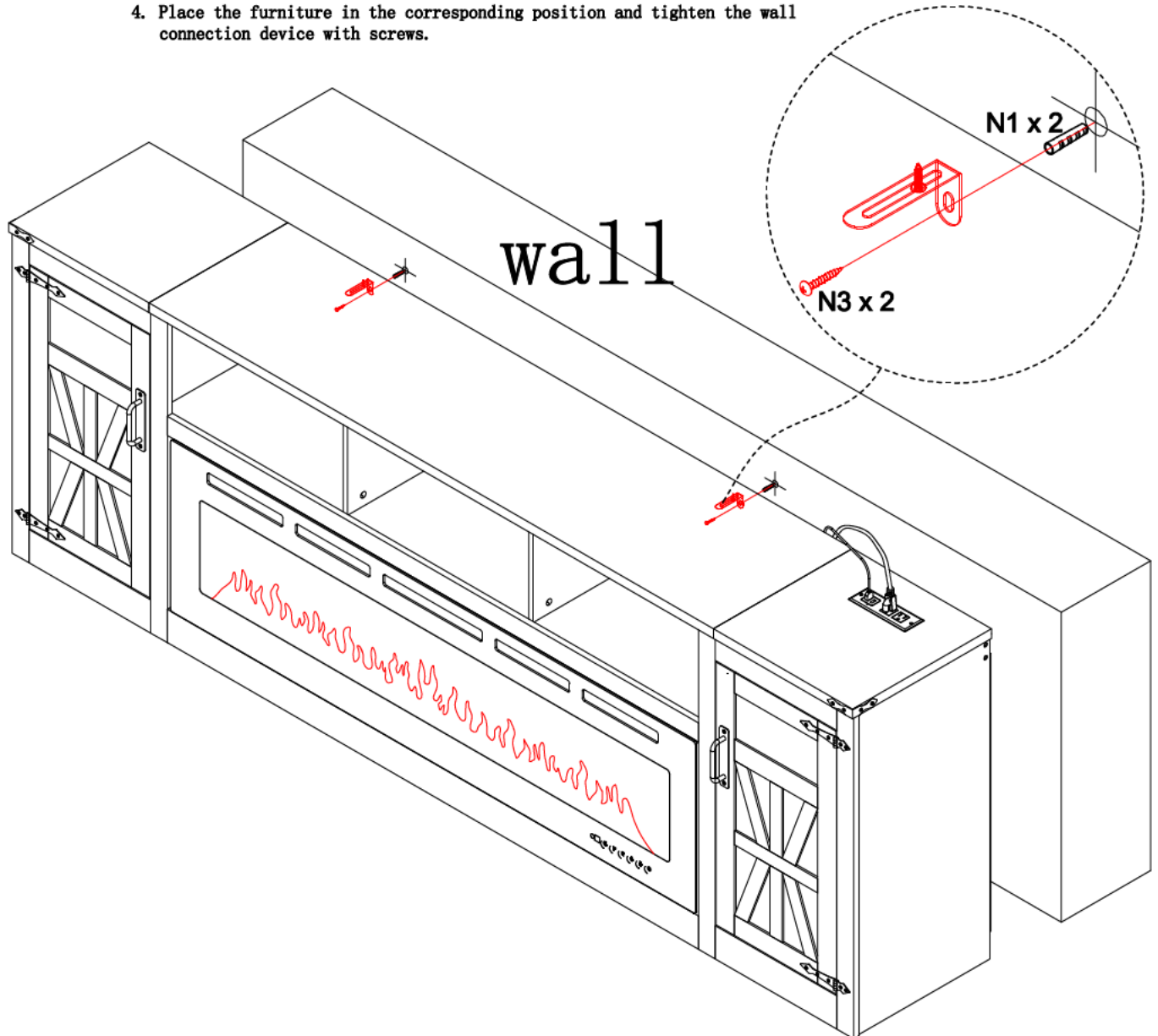


23

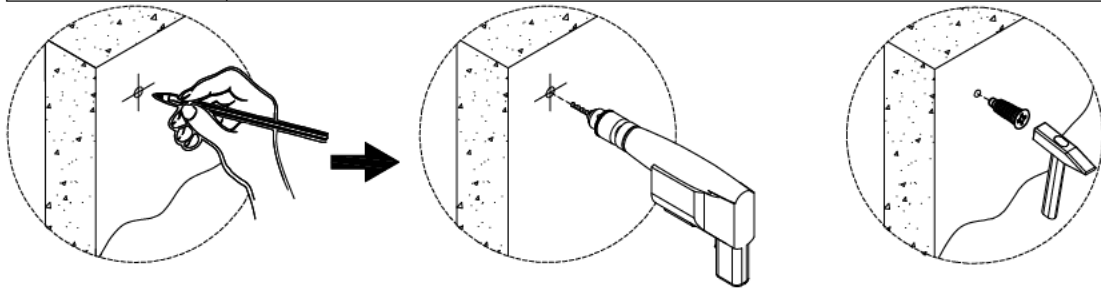


Warning: If you overturn the furniture, it may cause serious or fatal crushing injuries. We have a wall connection device attached, please use it to hold the furniture following these instructions.

1. Mark the corresponding hole positions where you want to place the furniture;
2. Use a impact drill to drill holes and pay attention to avoid wires and water pipes;
3. Knock the expansion pipes into the wall holes;
4. Place the furniture in the corresponding position and tighten the wall connection device with screws.



24



Warning: If you overturn the furniture, it may cause serious or fatal crushing injuries. We have a wall connection device attached, please use it to hold the furniture following these instructions.

1. Mark the corresponding hole positions where you want to place the furniture;
2. Use a impact drill to drill holes and pay attention to avoid wires and water pipes;
3. Knock the expansion pipes into the wall holes;
4. Place the furniture in the corresponding position and tighten the wall connection device with screws.

