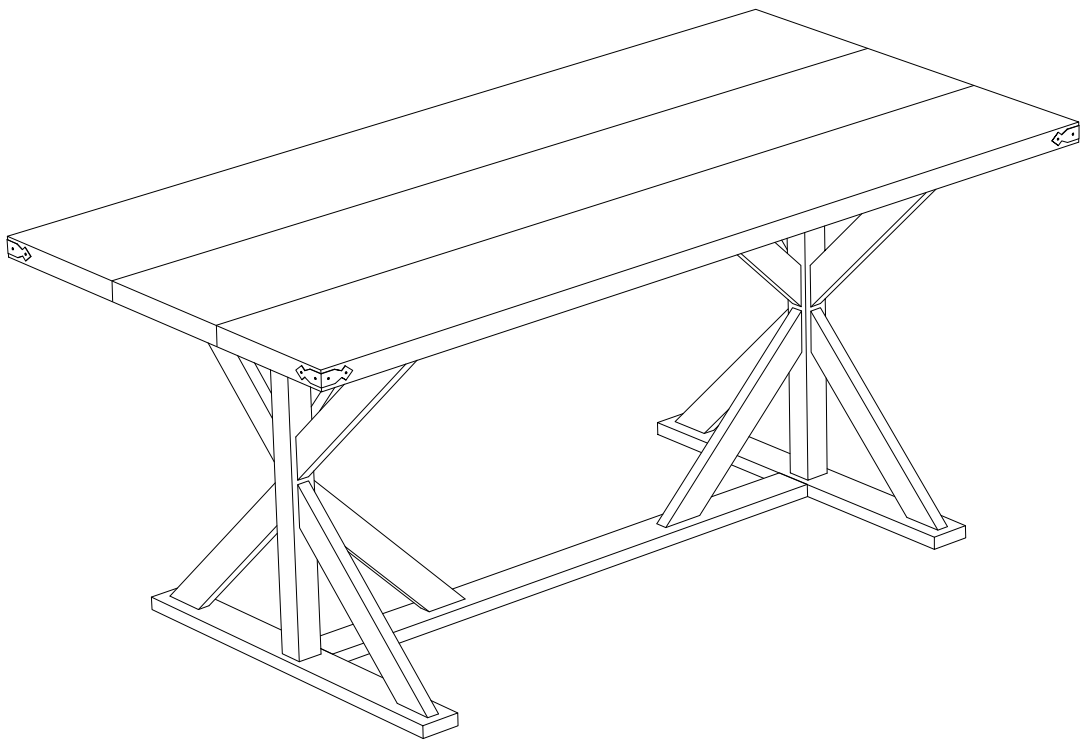


Installation & Assembly

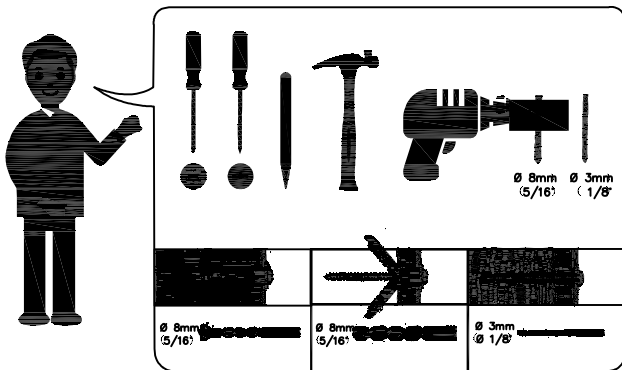


Version No. :V01

Important reminder:

- ⚠ Please sort and check all accessories before assembly.
- ⚠ Please place the product on empty cardboard box or carpet to avoid scratches on it,
- ⚠ Please use proper tools for assembly. Using an electric screwdriver can accelerate the assembly speed, but please do not overtighten the screws.
- ⚠ Please follow the assembly steps and do not skip any of them.
- ⚠ If possible, please find a partner to help you with assembly, which can accelerate assembly.
- ⚠ Keep all small parts of this product away from children. They may cause serious injury.
- ⚠ We hope you can retighten the screws 2 weeks after assembly, and check the tightening procedure of the screws every 3 months.

If you meet any difficulty, our friendly customer team are always ready to help you.

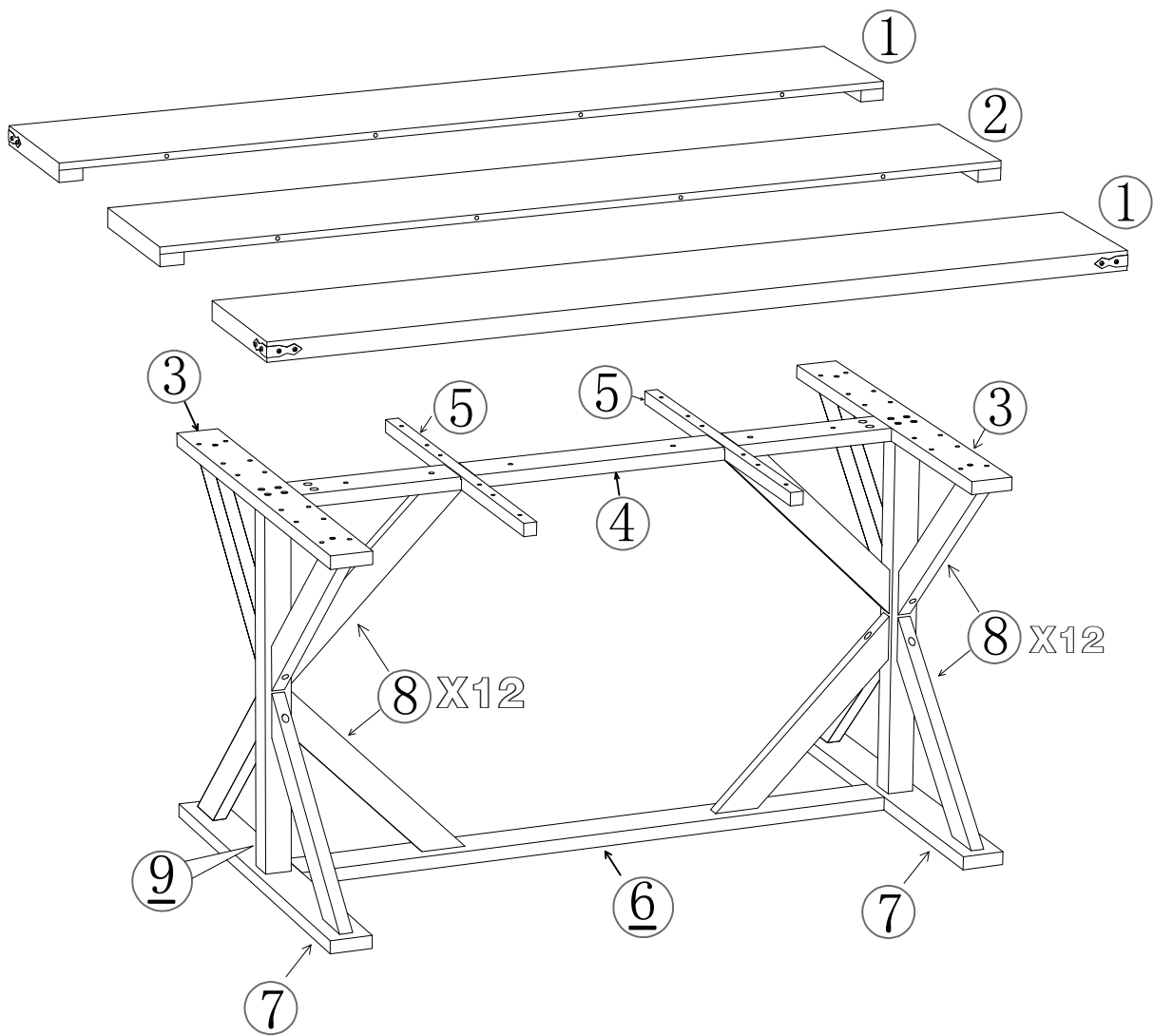


Warning: Overturning the product can cause serious crushing injuries. We have a wall connection device attached, please use it to hold the furniture following assembly instructions.

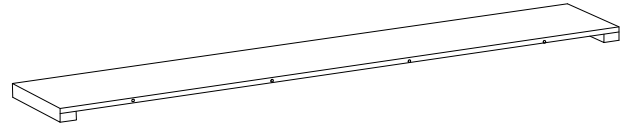
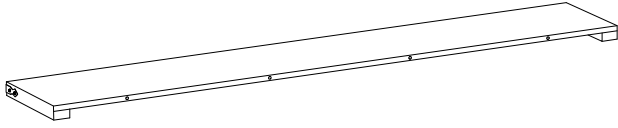
Do not change the structure of this product in any way. Our products have been tested and meet all sales specific security measures. We won't be responsible for any modifications, which may cause significant security risks.

Static charge may cause dust on foam—clean with a dry or damp cloth. Small foam strands may be present—handle gently and dispose of properly. Do not burn or incinerate. Check local recycling guidelines.

Explosion Diagram



Parts and Operation Elements

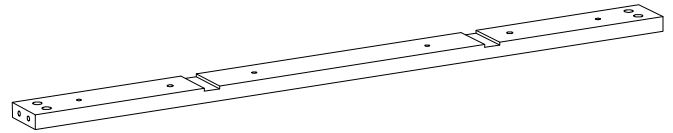
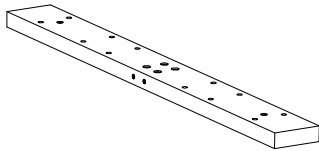


①

2Pcs

②

1Pc

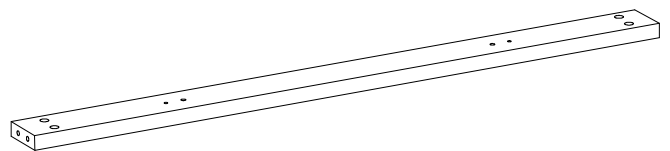
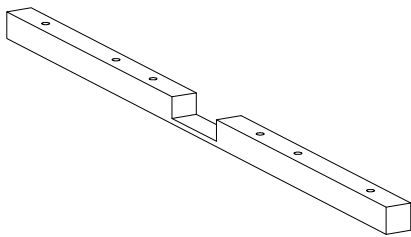


③

2Pcs

④

1Pc

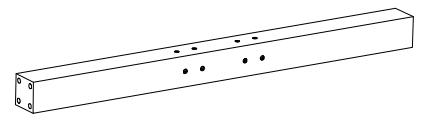
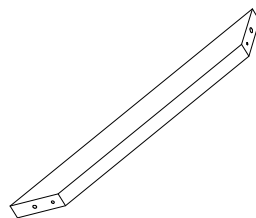
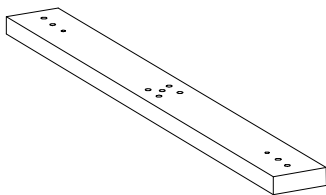


⑤

2Pcs

⑥

1Pc



⑦

2Pcs

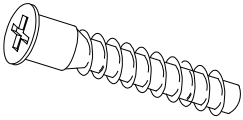

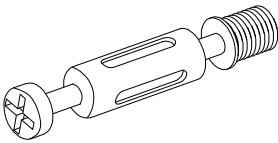
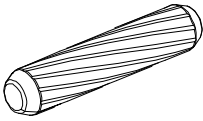
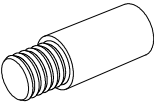
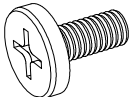
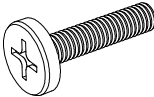
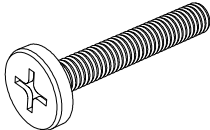
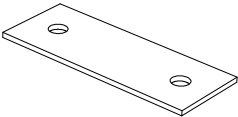
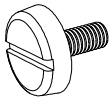
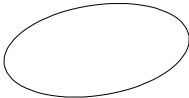
⑧

12Pcs

⑨

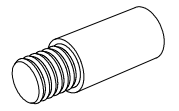
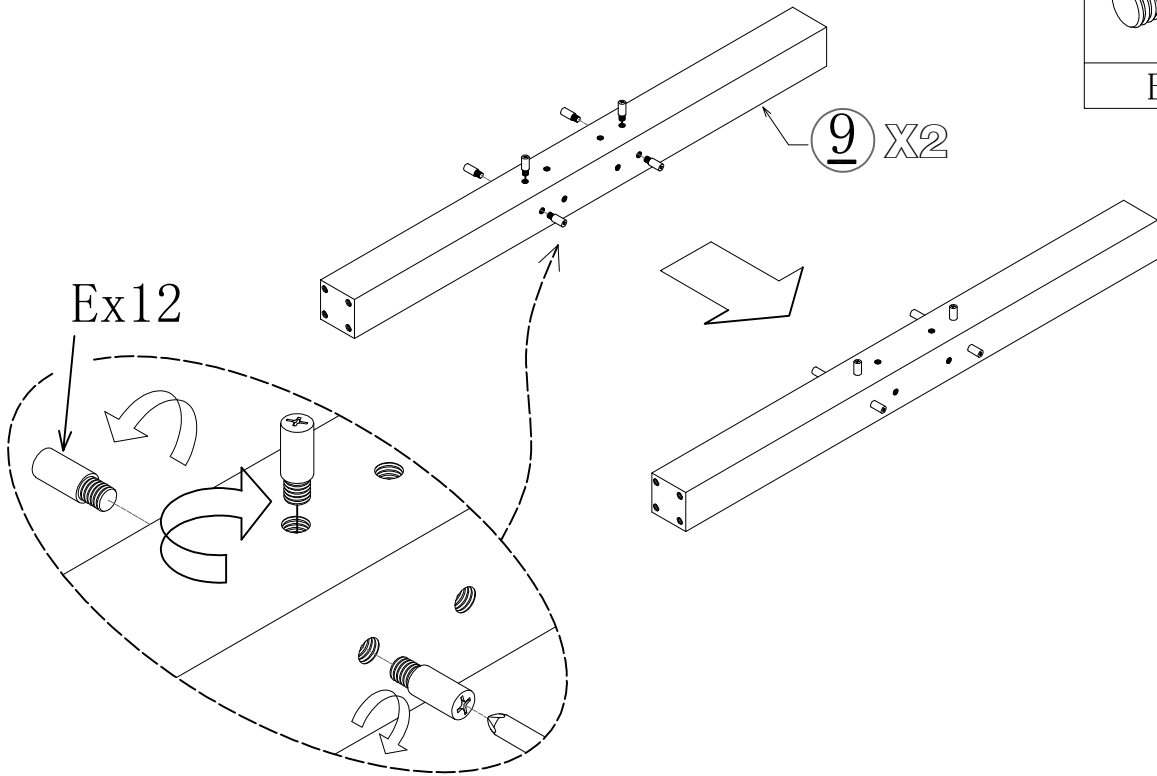
2Pcs

HardWare

 <p>Screw M7*47mm</p>	 <p>∅15*11 Cam Lock</p>	 <p>Cam Bolt</p>	 <p>∅8*40 Dowel</p>
<p>A 12PCS +2PCS</p>	<p>B 8PCS +2PCS</p>	<p>C 8PCS +2PCS</p>	<p>D 20PCS +2PCS</p>
 <p>∅8*19</p>	 <p>M6*12</p>	 <p>M6*35</p>	 <p>M6*40</p>
<p>E 12PCS +2PCS</p>	<p>F 8PCS +2PCS</p>	<p>G 56PCS +2PCS</p>	<p>H 12PCS +2PCS</p>
 <p>80*30</p>	 <p>∅21*22</p>		
<p>J 4PCS</p>	<p>K 8PCS</p>	<p>L 32PCS +2PCS</p>	

⚠ Tips: The number after "+" represents the spare hardware.

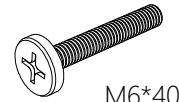
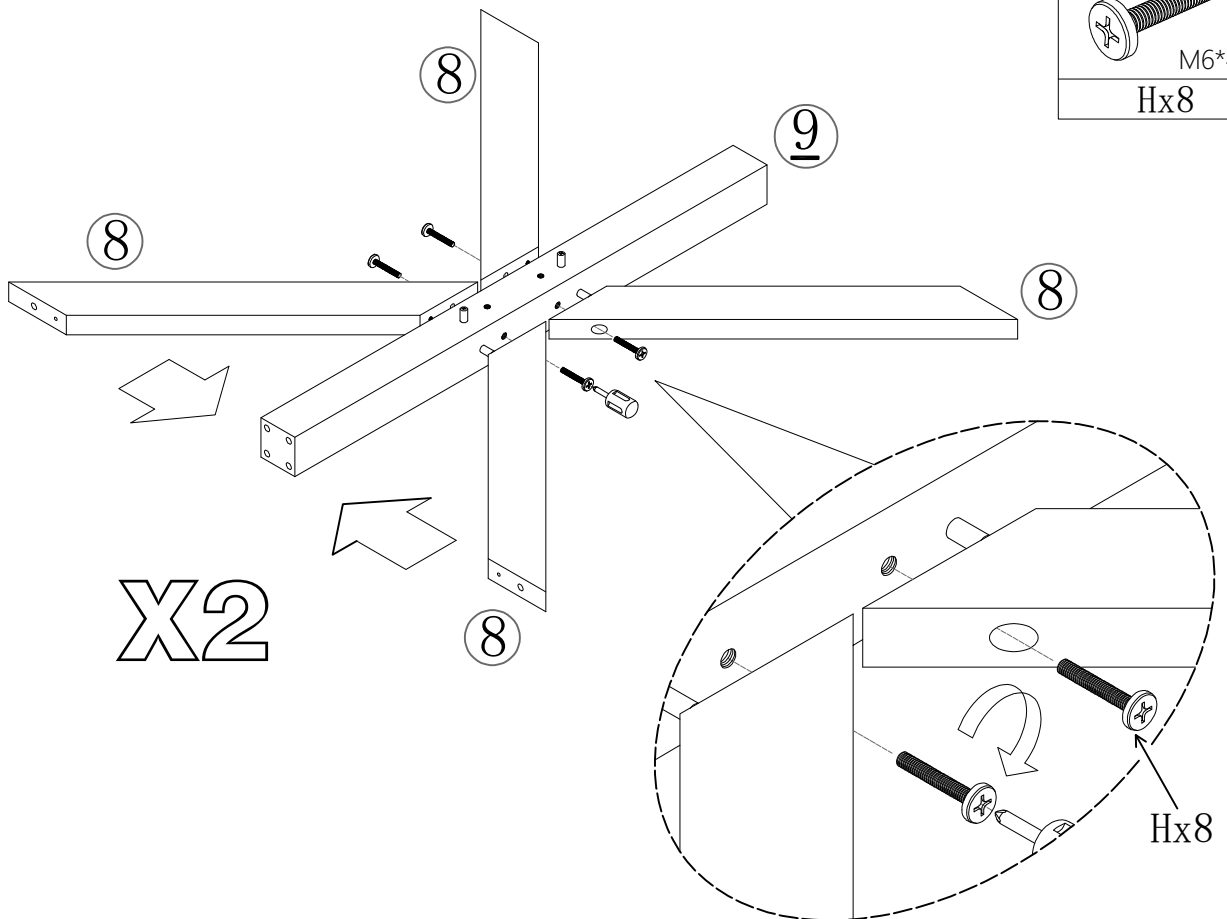
1



Ex12

9 X2

2



M6*40
Hx8

8

8

9

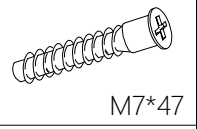
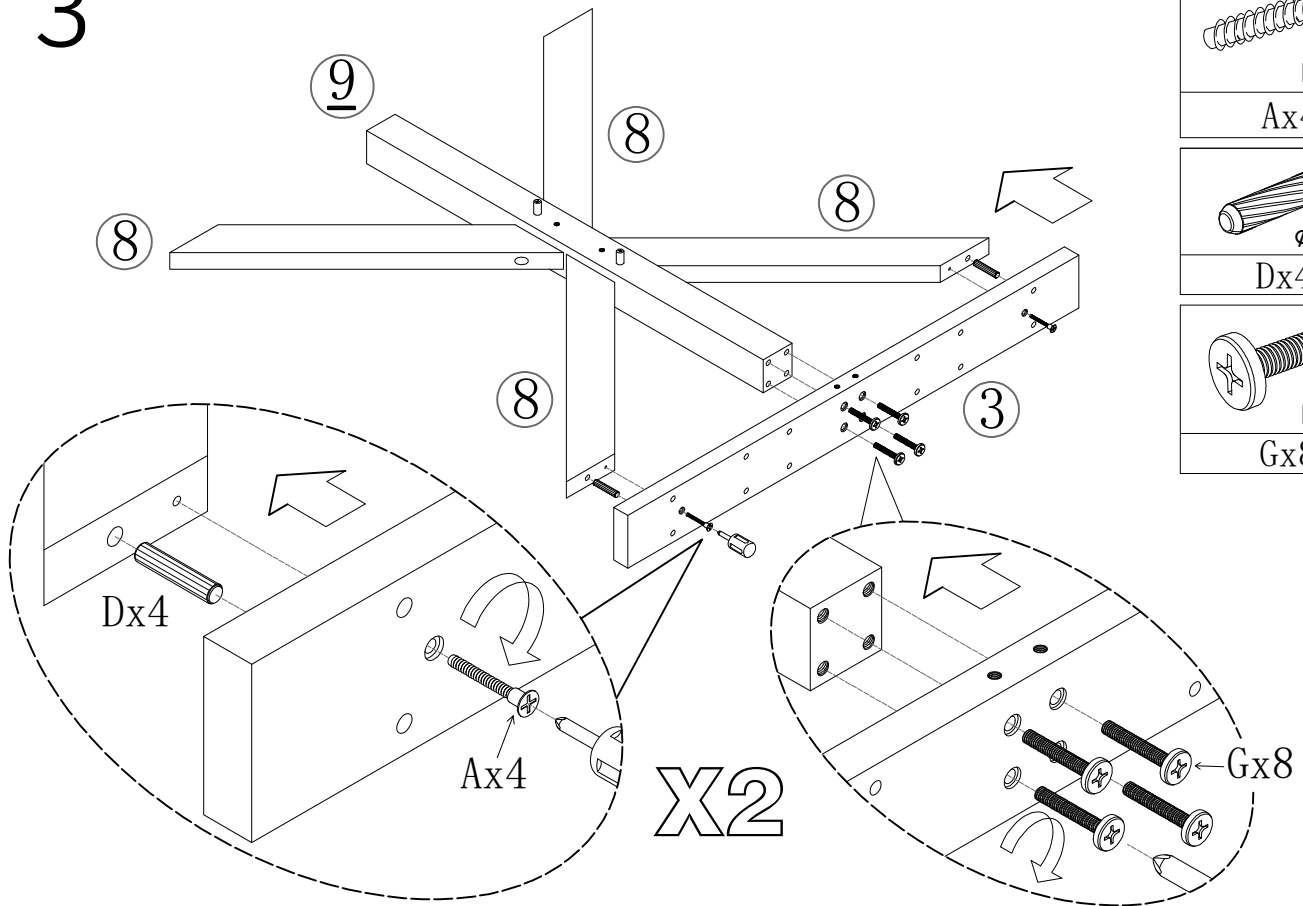
8

X2

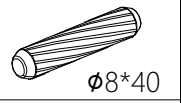
8

Hx8

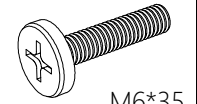
3



Ax4

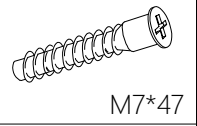
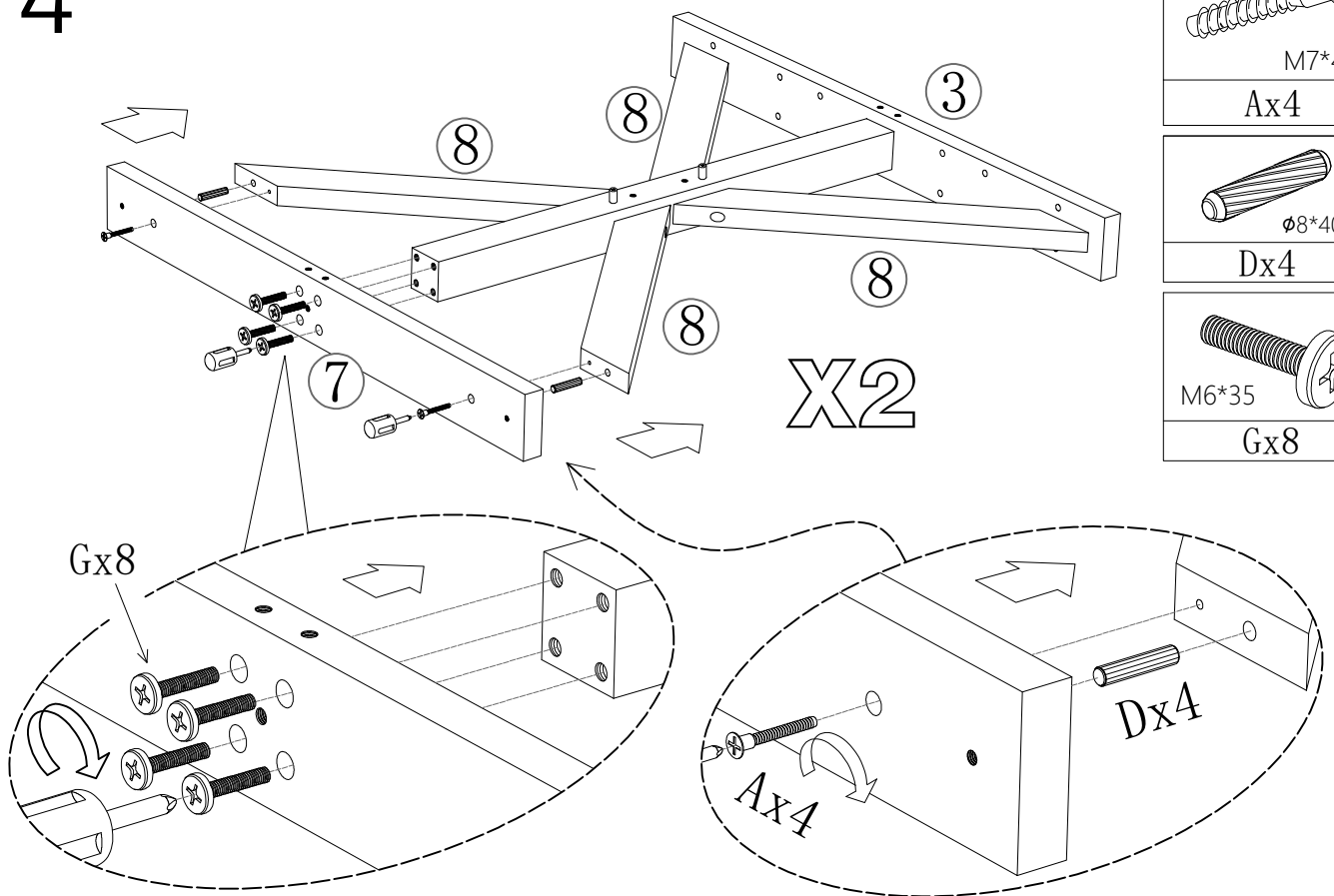


Dx4

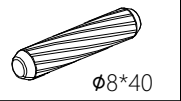


Gx8

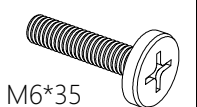
4



Ax4

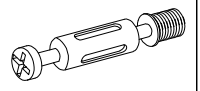
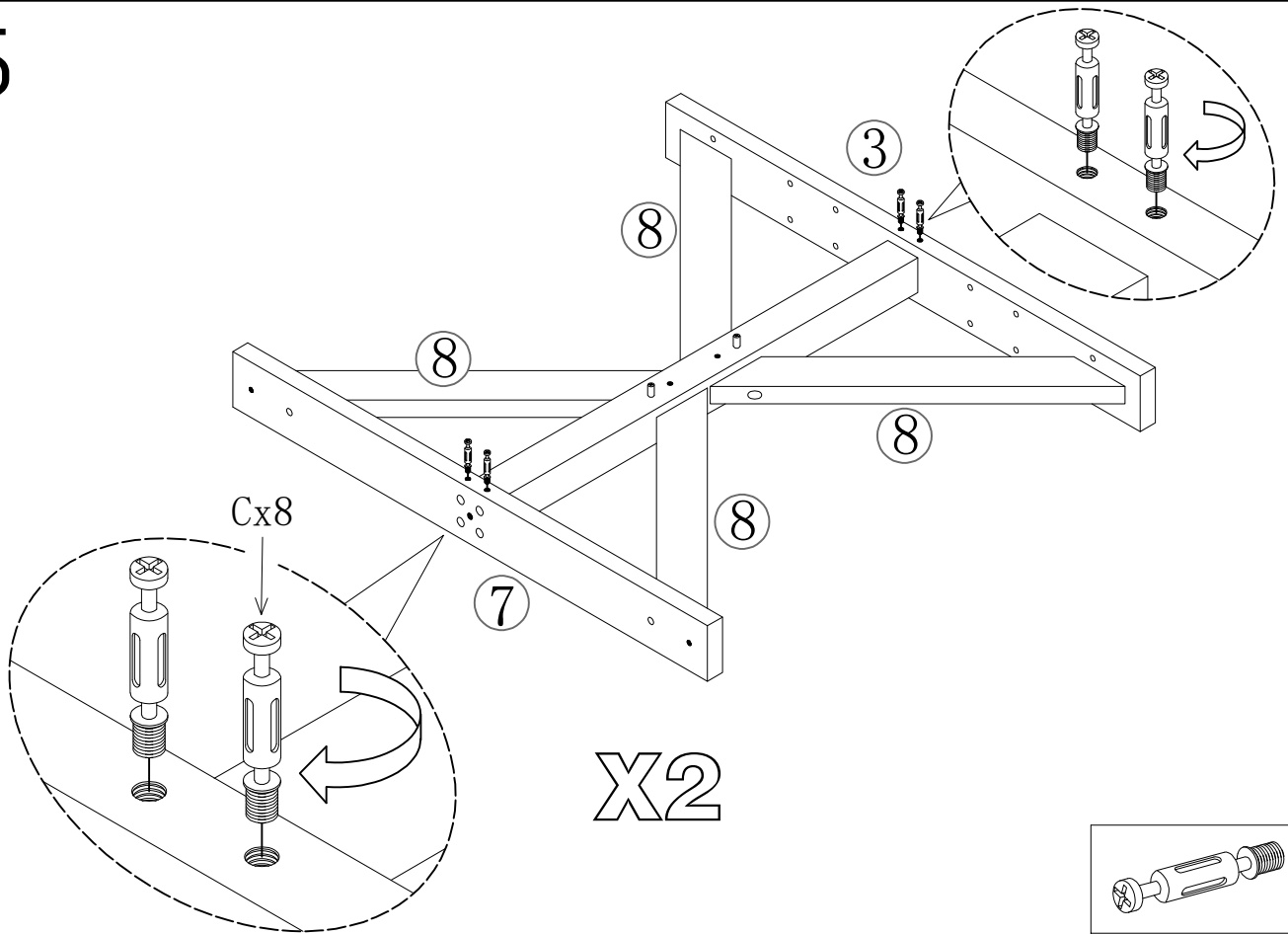


Dx4

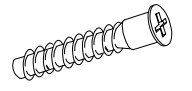


Gx8

5

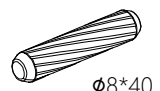


Cx8



M7*47

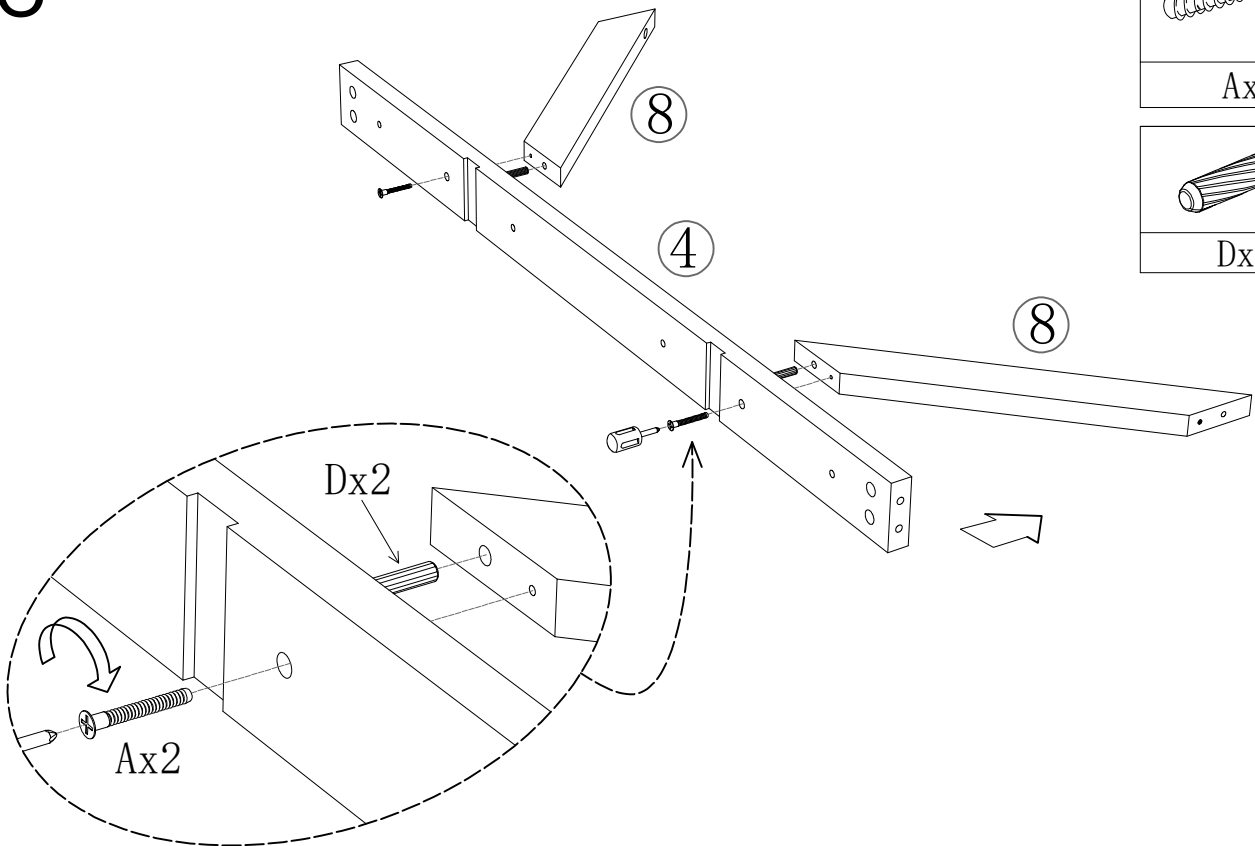
Ax2



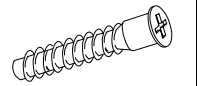
ø8*40

Dx2

6

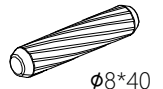


7



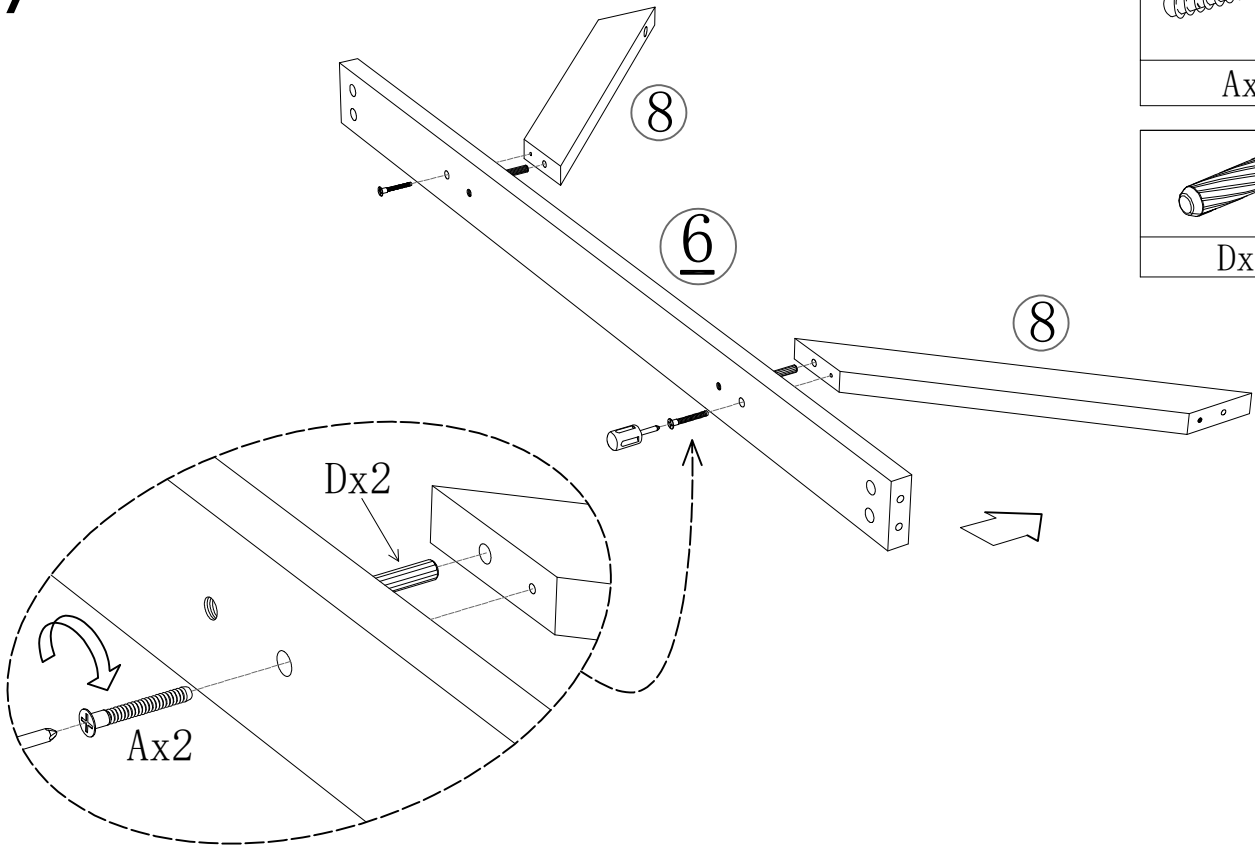
M7*47

Ax2



ø8*40

Dx2

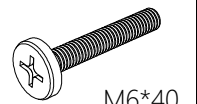


8



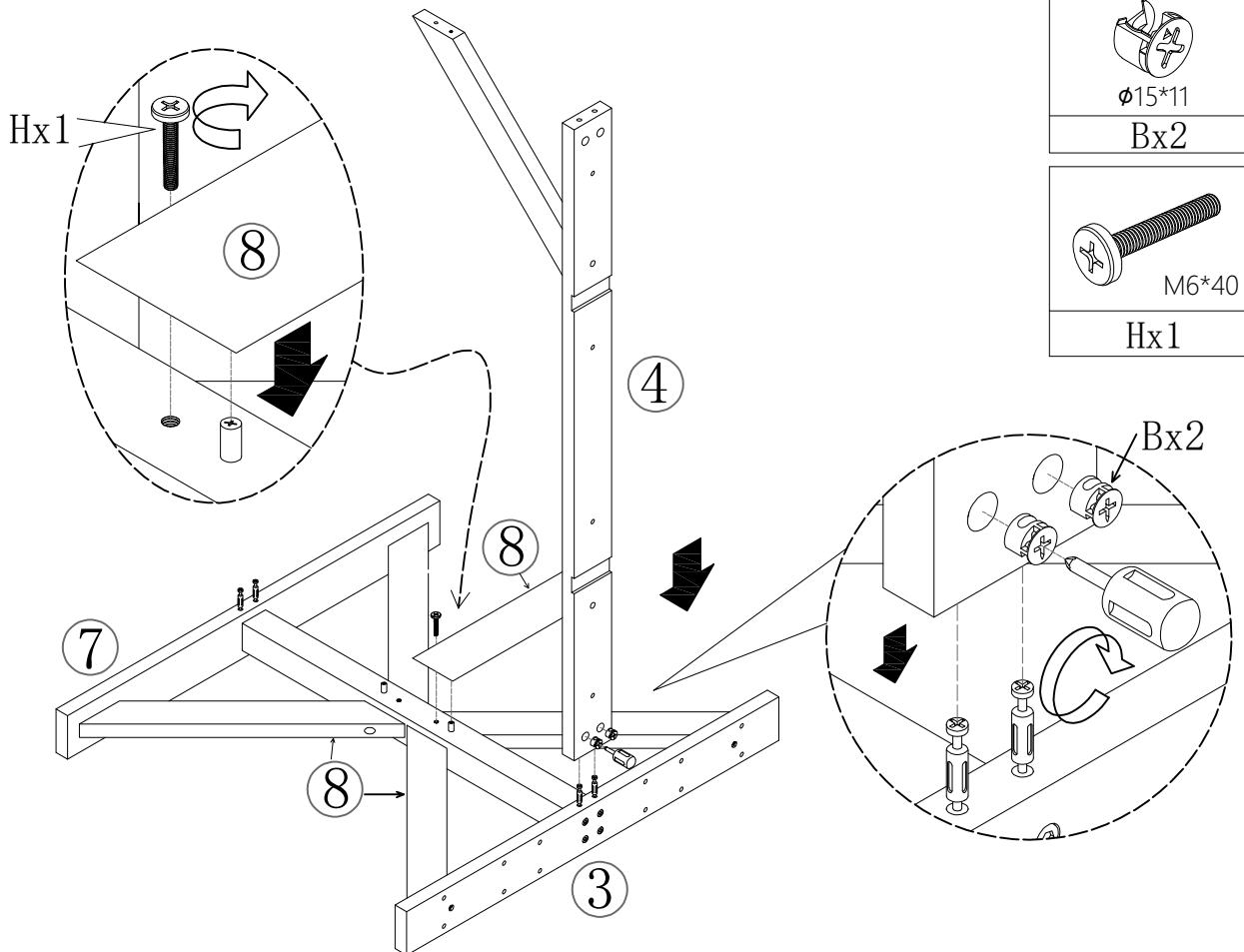
ø15*11

Bx2



M6*40

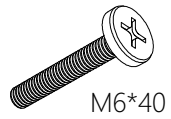
Hx1



10

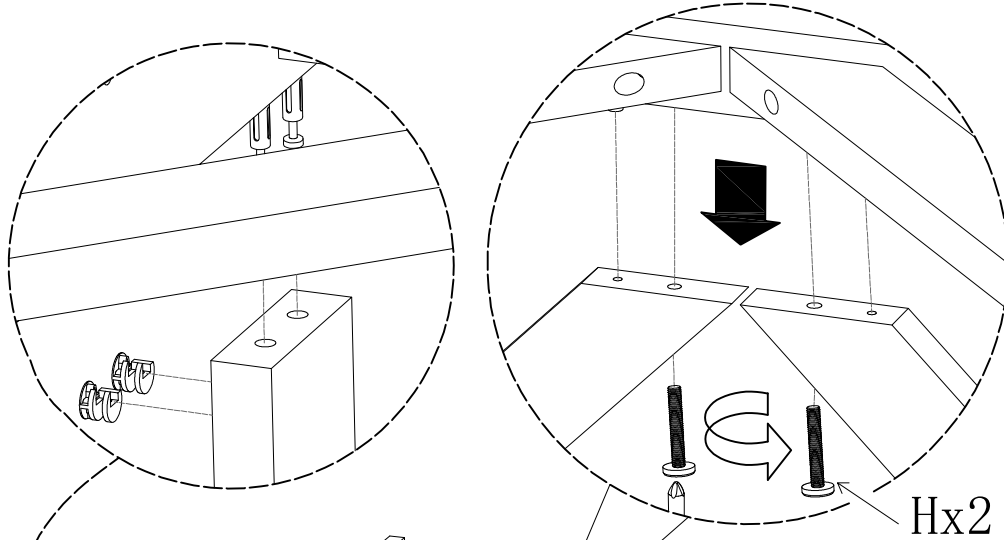


Ø15*11
Bx4

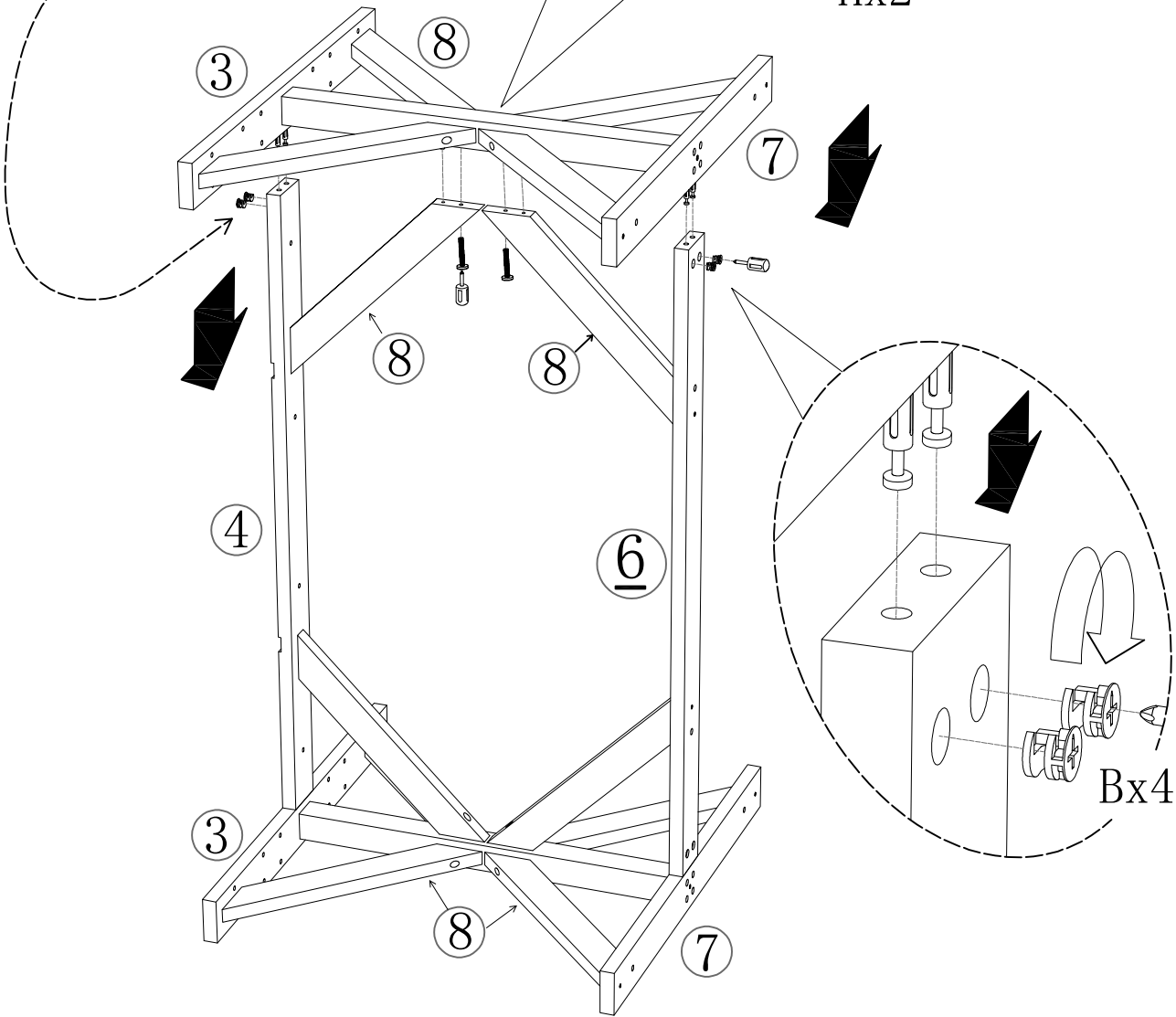


M6*40

Hx2



Hx2

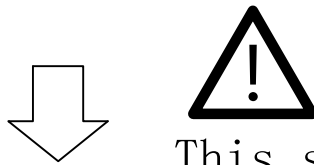
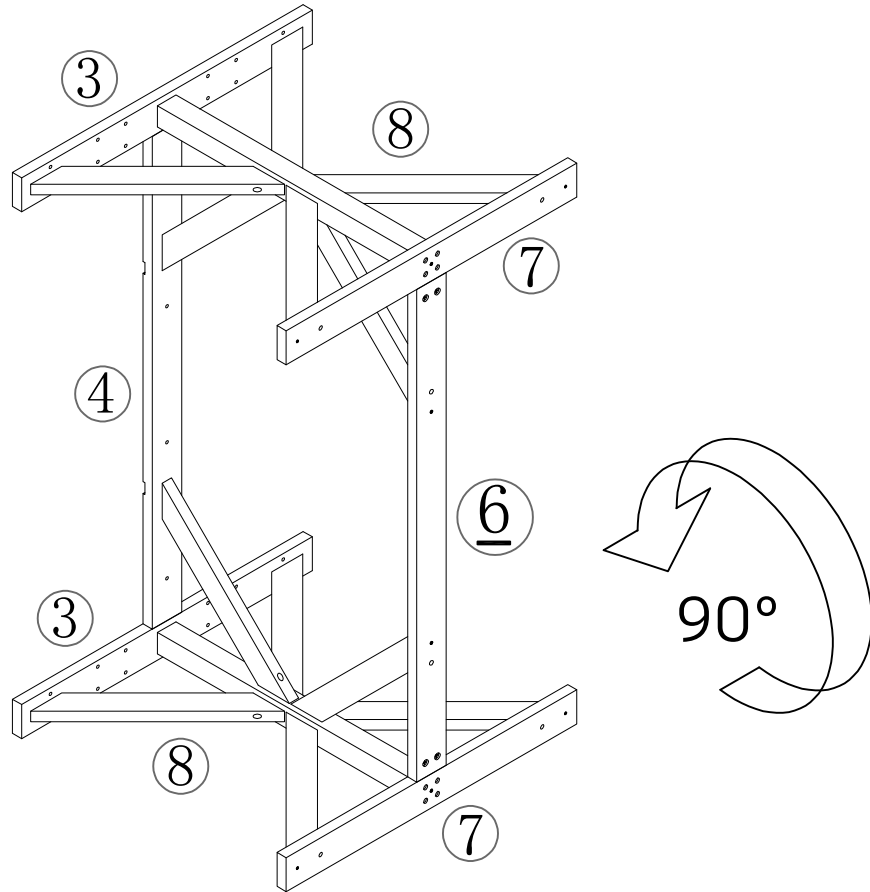


Bx4

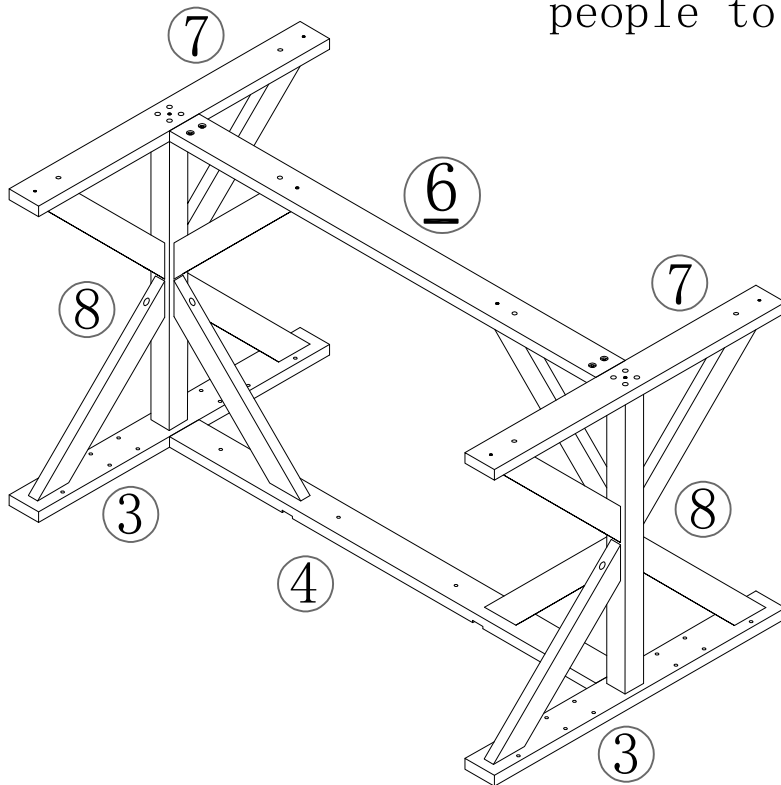


This step requires two people to complete

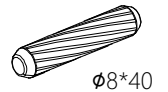
11



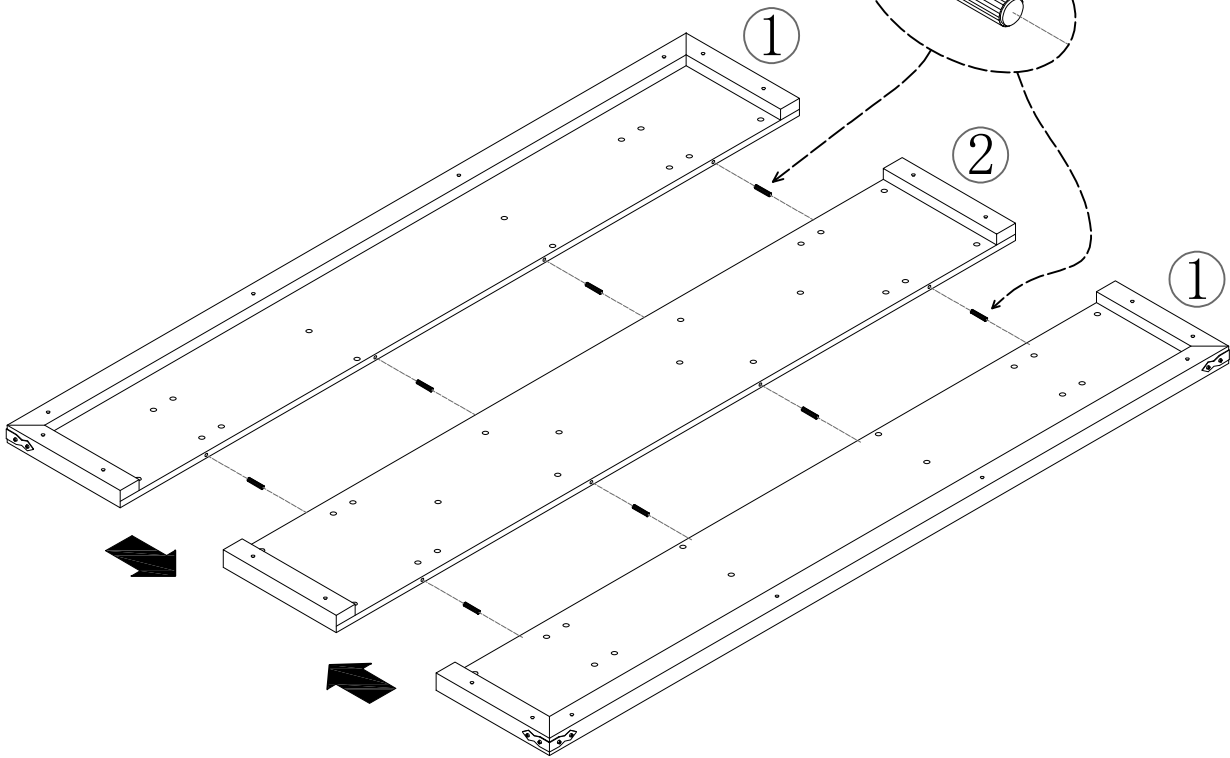
This step requires two people to complete



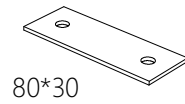
12



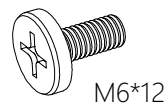
Dx8



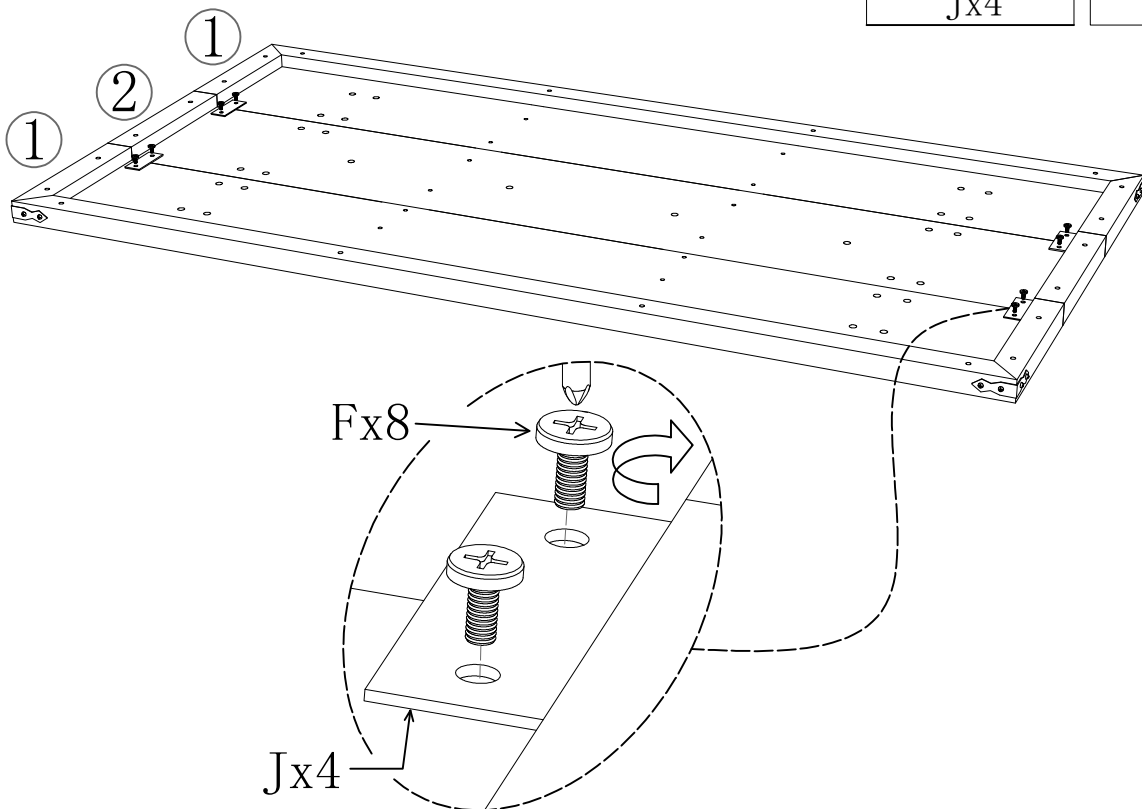
13



Jx4

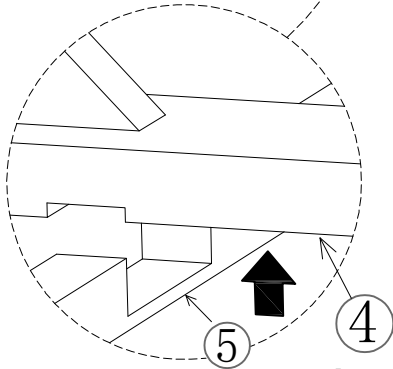


Fx8



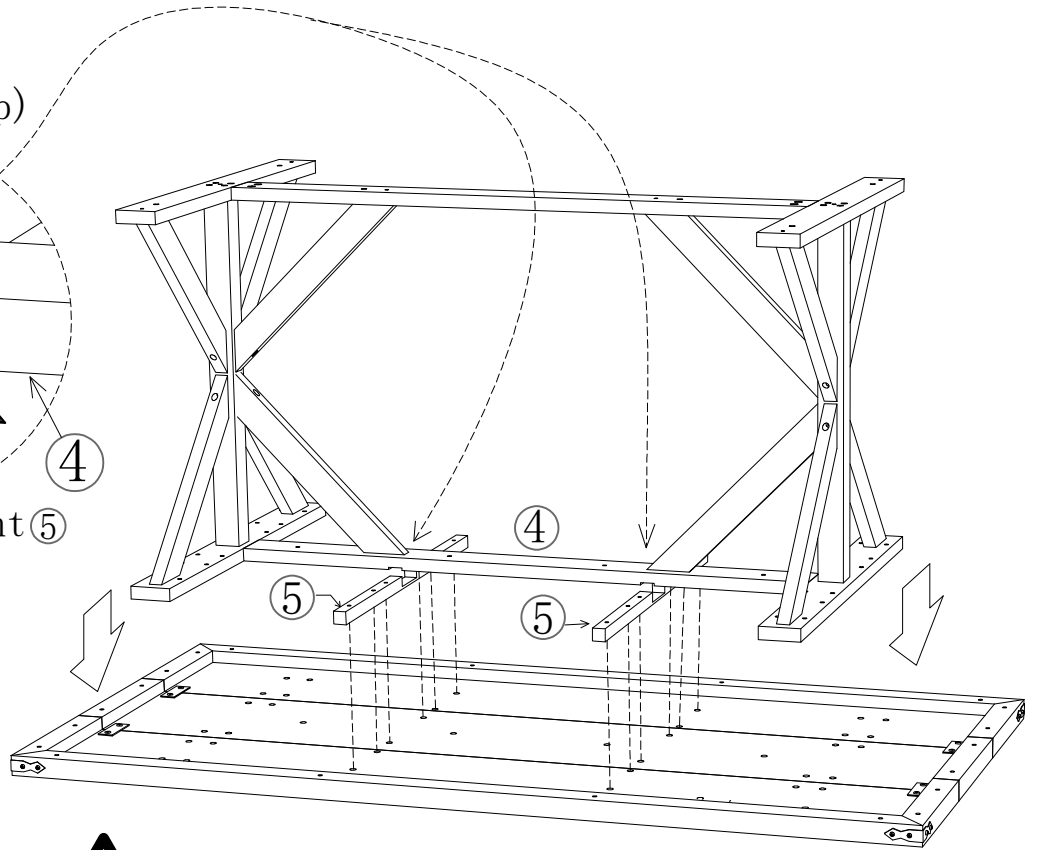
14

(Key step)



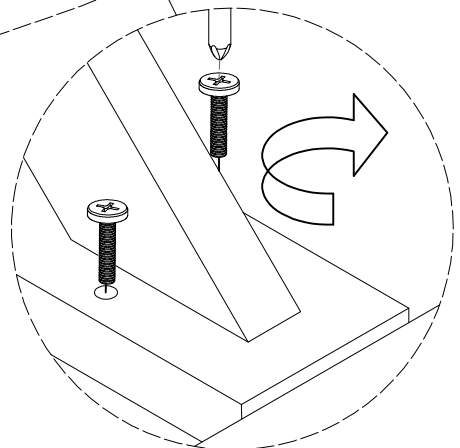
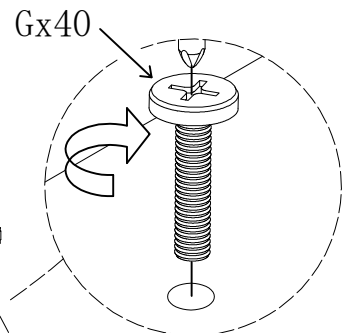
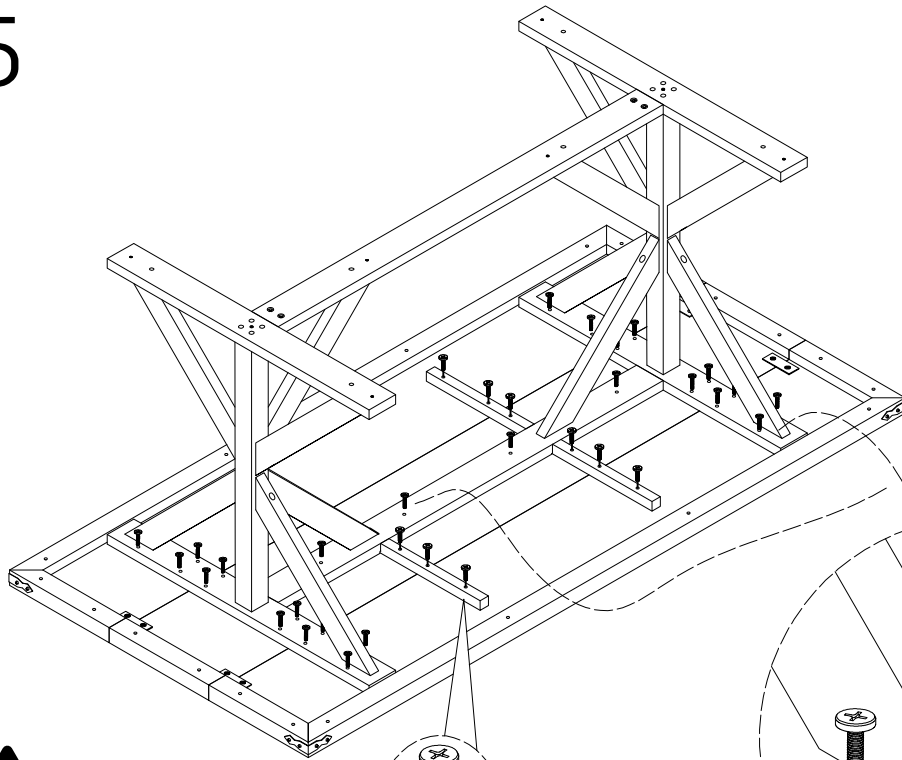
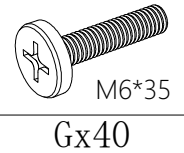
Insert component ⑤ upwards into component ④
(Key step)

Note that if the component cannot be installed, you can press down slightly on both sides of the component ⑤



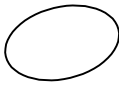
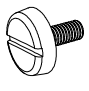
This step requires two people to complete

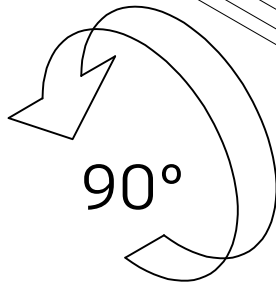
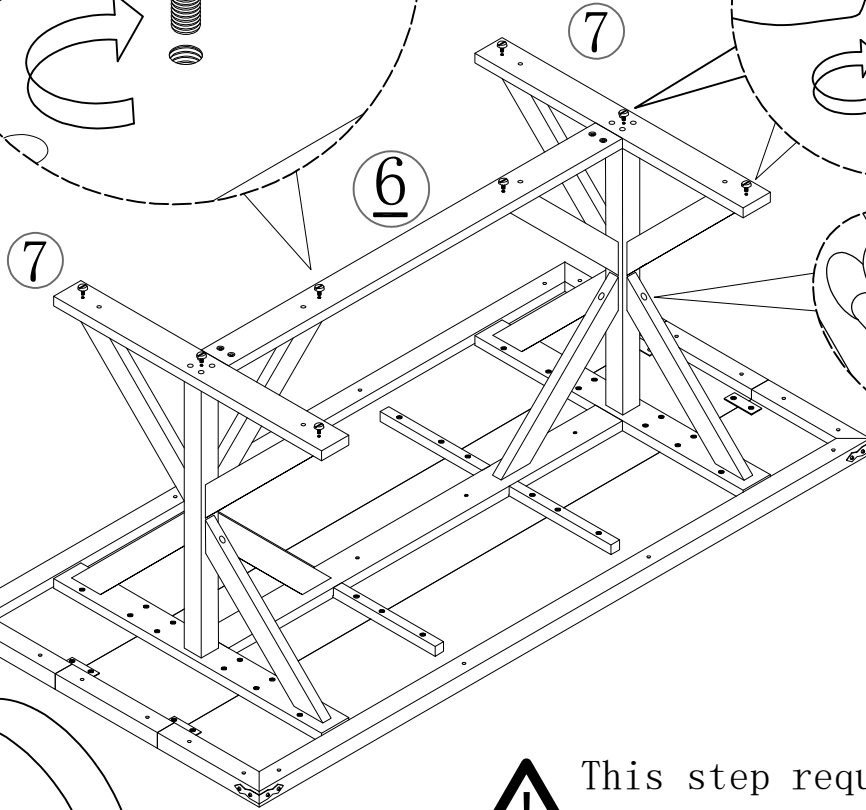
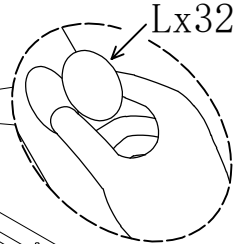
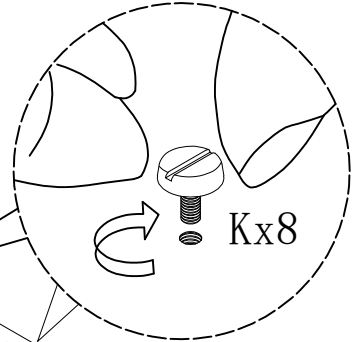
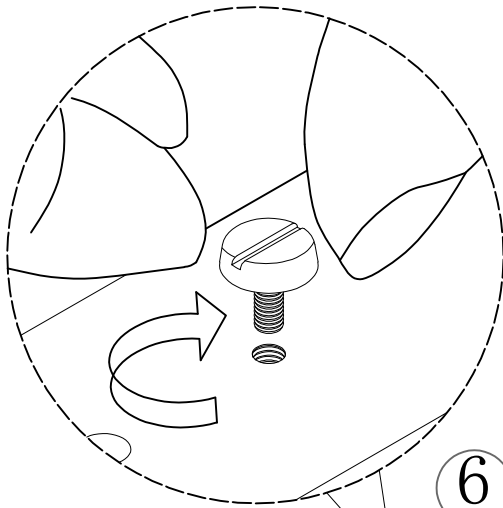
15



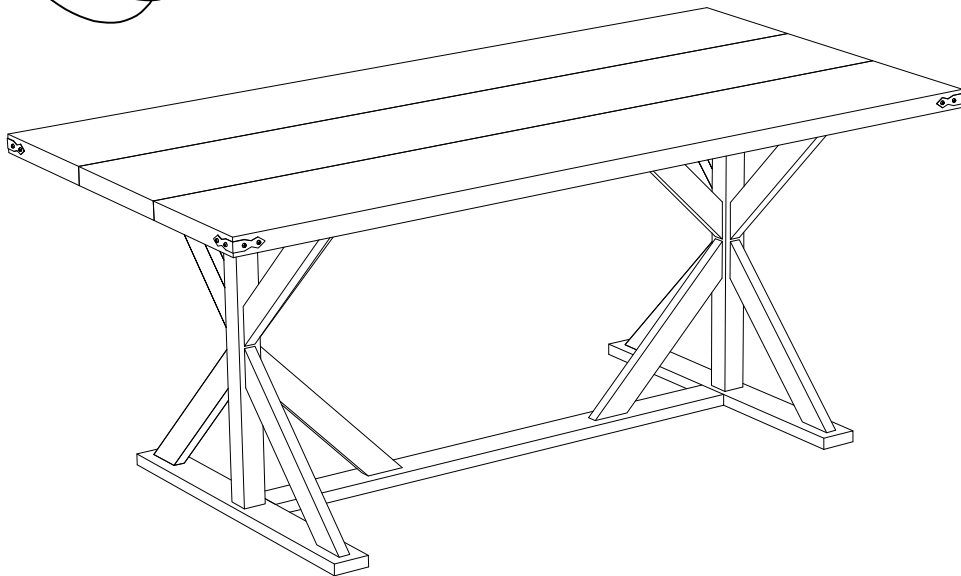
This step requires two people to complete

16

	
Lx32	Kx8



This step requires two people to complete



— installation is complete —