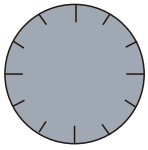


ASSEMBLY INSTRUCTIONS

PLEASE KEEP THIS FOR FUTURE REFERENCE



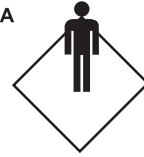
1 hr

APPROXIMATE ASSEMBLY TIME



1 PERSON ASSEMBLY

FLOOR AREA
2.0M X 2.0M

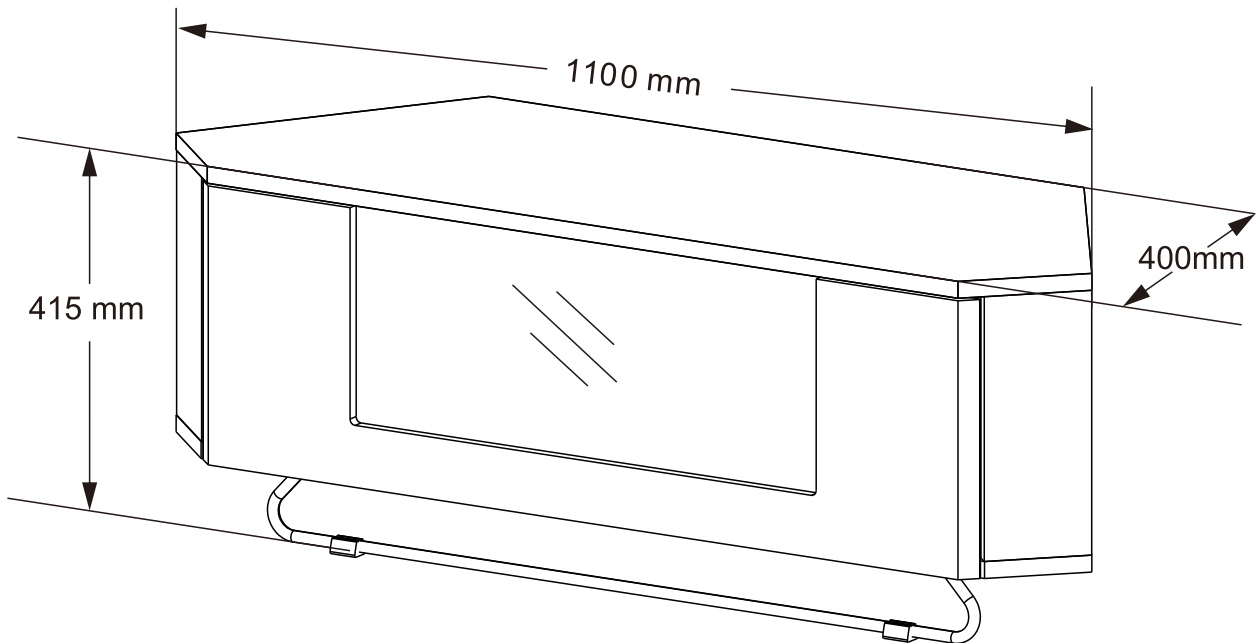


REQUIRED ASSEMBLY SPACE

TOOLS REQUIRED



CROSS-HEAD SCREWDRIVER



Top Tips before you start!

1. Please check that all parts are present before you start the assembly of your furniture.
2. For ease and speed of assembly, we recommend that before you commence each step of the assembly, that you identify all the parts required for that step.
3. For larger items, please ensure that you have sufficient space and people (as indicated on page 1) to assemble your product safely
4. We recommend that, where possible, all items are assembled near to the area in which they will be placed in use, to avoid moving the product unnecessarily once assembled.
5. For the protection of your furniture, particularly items of high gloss finish, we recommend that the product is placed on a protected surface during assembly to prevent any damage.
6. During assembly please take care not to over-tighten any fittings, as this may damage the product.

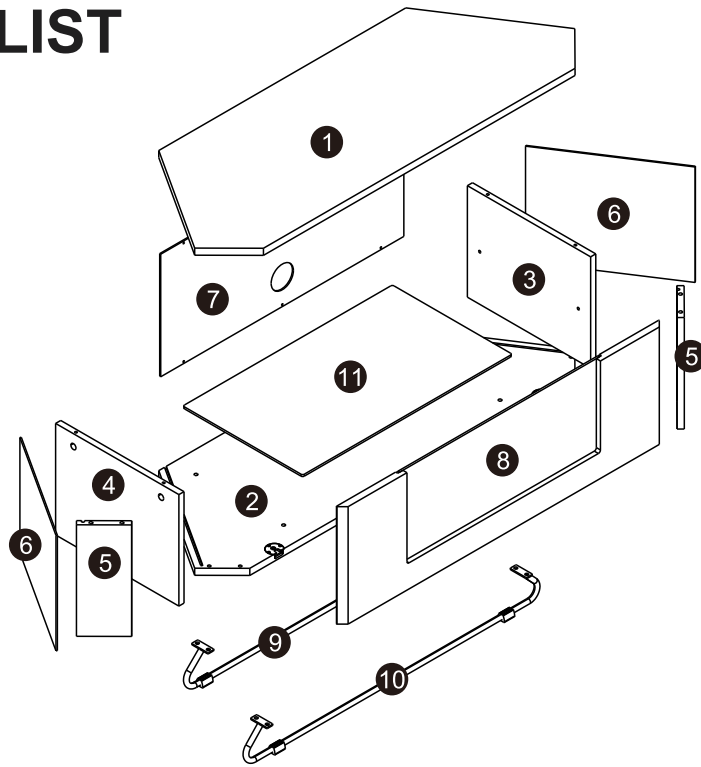
Care and Maintenance of your Furniture

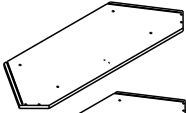

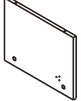
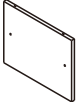


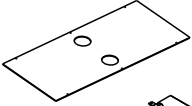
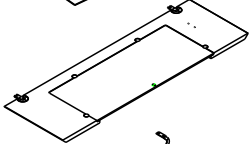


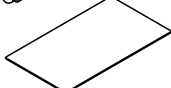
- Please periodically check all fittings and re-tighten as necessary.
- Please do not sit or stand on this item.
- Never allow any kind of liquid to remain on your furniture, Absorption can cause wood to warp or finishes to de-laminate
- Please do not drag and pull your furniture.
- If the glass is chipped or broken, stop using the product and consult the manufacturer or supplier.
- Please do not place very hot or very cold items on the glass surface, unless adequately thick table mats are used to prevent such items from coming into contact with the glass.
- Please do not use the glass as a chopping surface. Do not strike the glass with hard or pointed items.
- When cleaning glass panels use a damp cloth or chamois leather with washing up liquid or soft soap, do not use washing powders or any other substances containing abrasives as these substances will scratch the glass.
- The glass used in this product is toughened and complies with BS EN 12150-1:2000, clauses 8.3 & 8.4

Never use furniture polish on this unit.

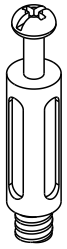
Clean with a damp cloth & warm soapy water - never use scourers or abrasive cleaners.

PARTS LIST

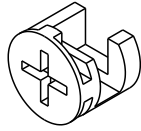


no.		PART LIST	QTY
(1)		TOP PANEL	1
(2)		BASE PANEL	1
(3)		MIDDLE PANEL A	1
(4)		MIDDLE PANEL B	1
(5)		SIDE PANEL	2
(6)		SIDE PANEL B	2
(7)		BACK PANEL	1
(8)		FRONT DOOR	1
(9)		LEG A	1
(10)		LEG B	1
(11)		MIDDLE GLASS SHELF	1

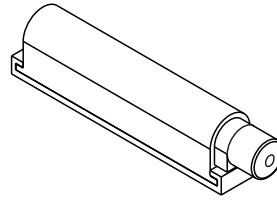
HARDWARE LIST



12x
A
CAM PIN



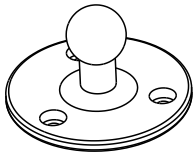
12x
B
CAM LOCK



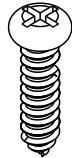
1x
C
MAG CATCH



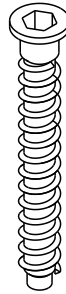
2x
D
SCREW



1x
E
DOOR STAY
SIDE PLATE



5x
F
SCREW



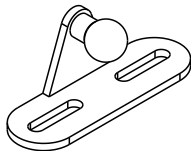
4x
G
CONFIRMAT SCREW



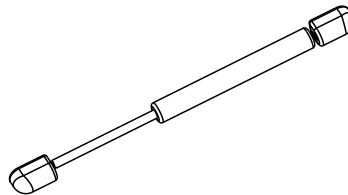
8x
H
SCREW



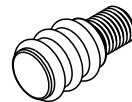
6x
I
SCREW



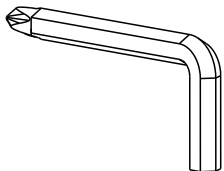
1x
J
DOOR STAY
DOOR PLATE



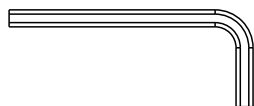
1x
K
DOOR STAY



4x
L
SHELF SUPPORT



1x
M
ALLEN KEY

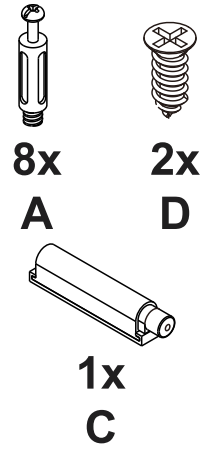
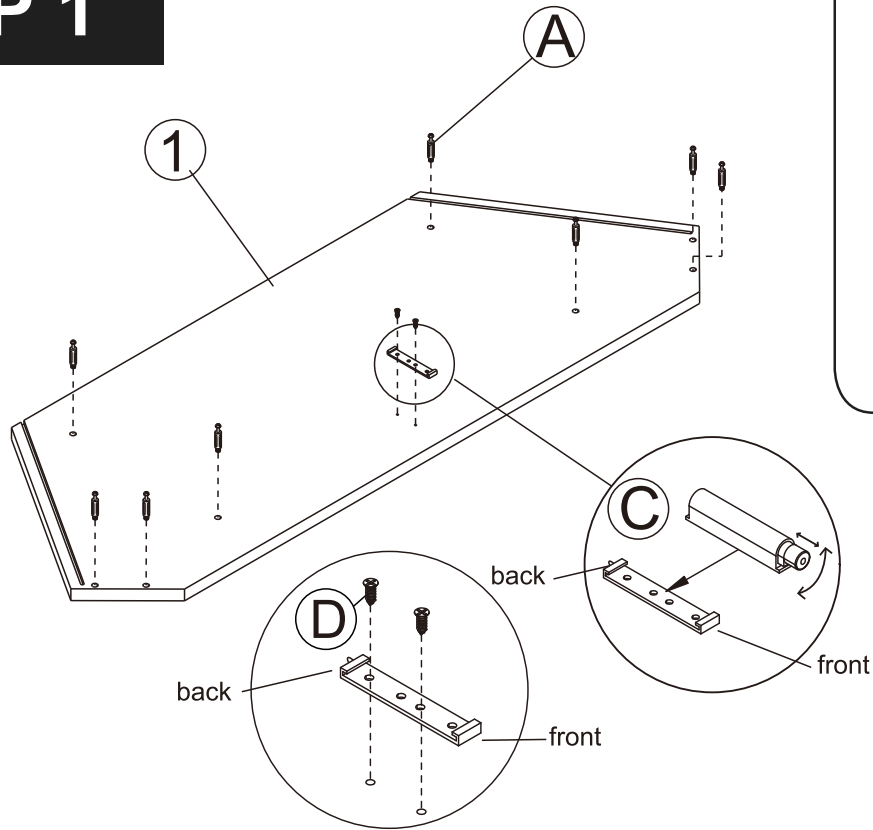


1x
N
ALLEN KEY

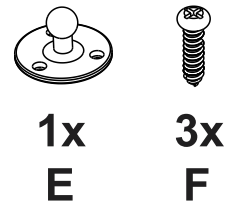
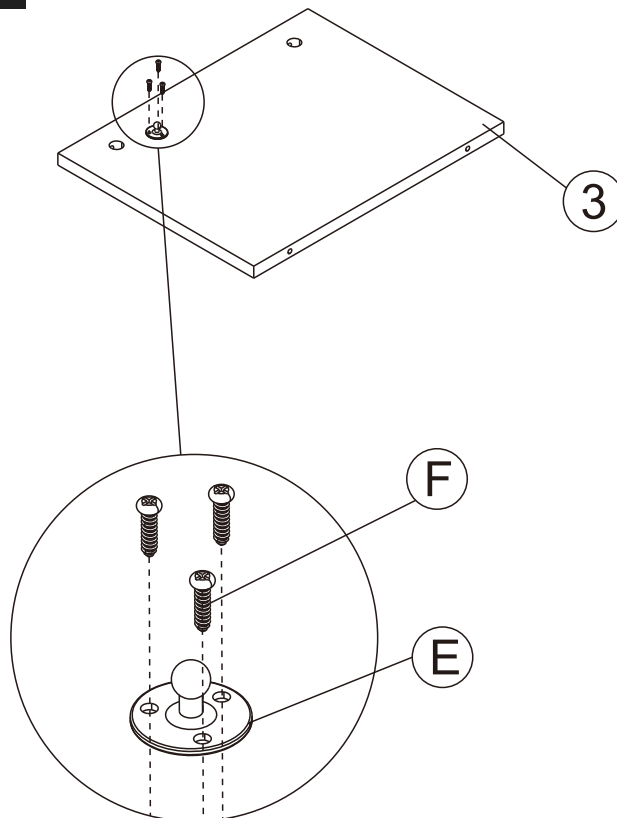


12x
O
PLASTIC COVER

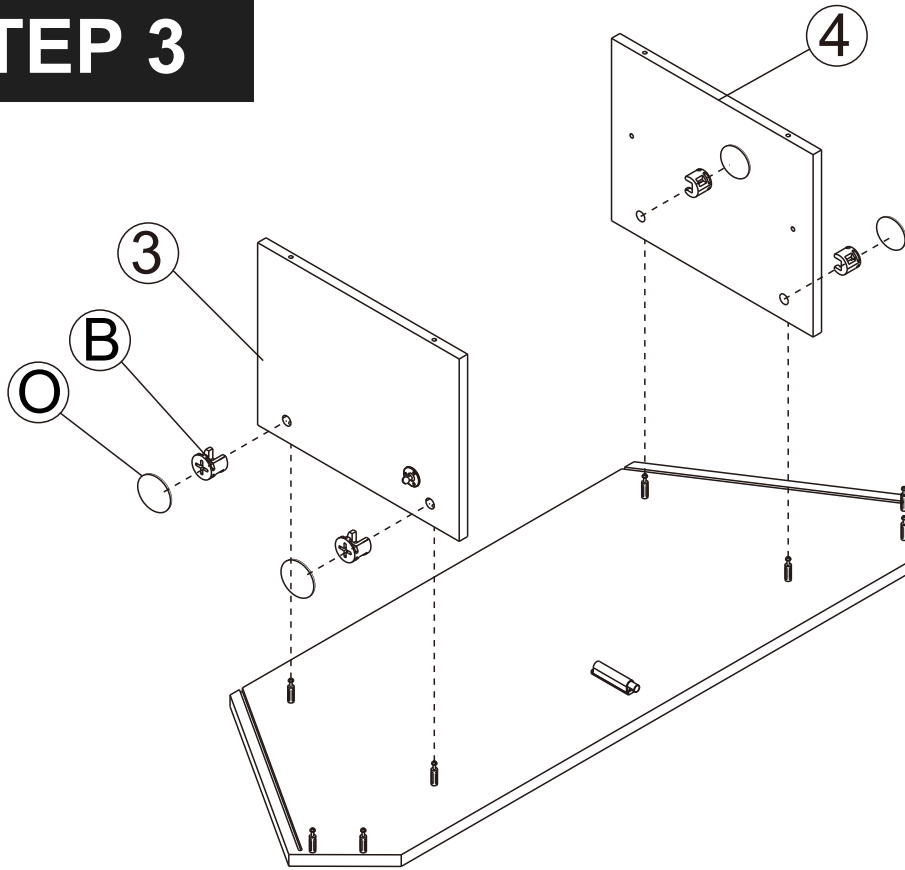
STEP 1

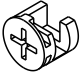



STEP 2

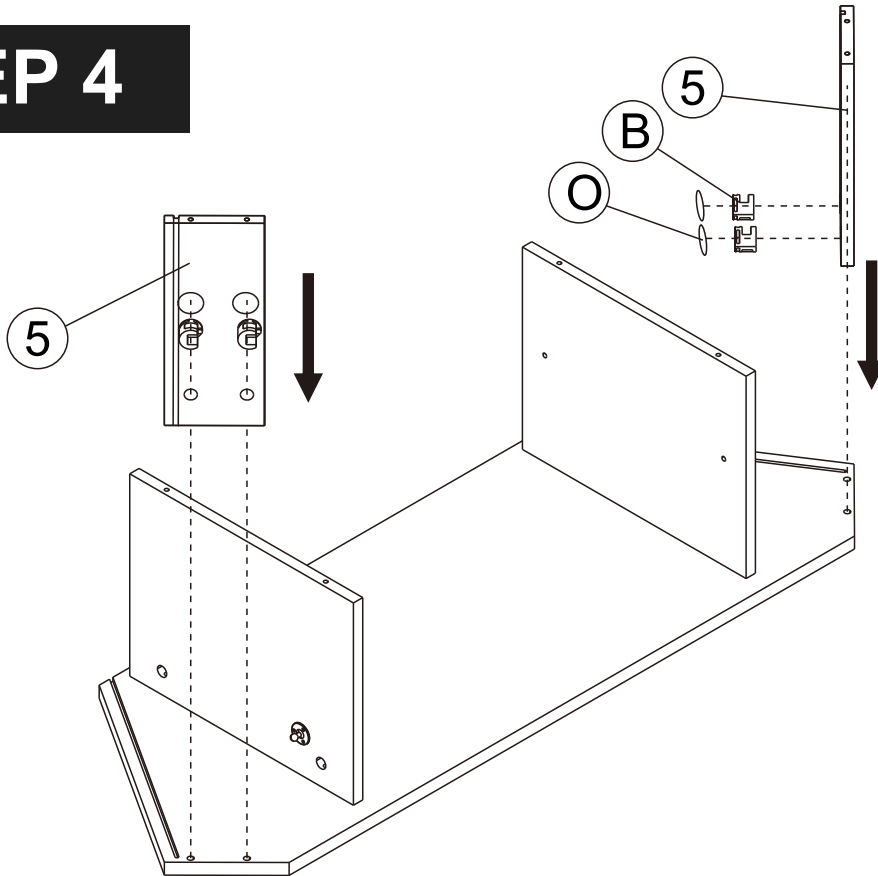




STEP 3



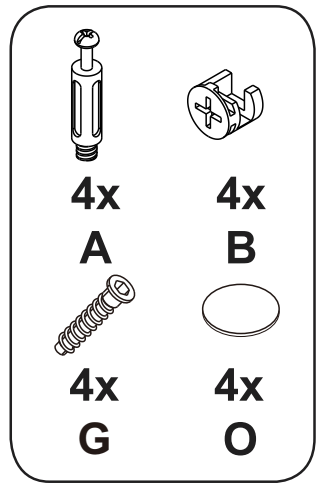
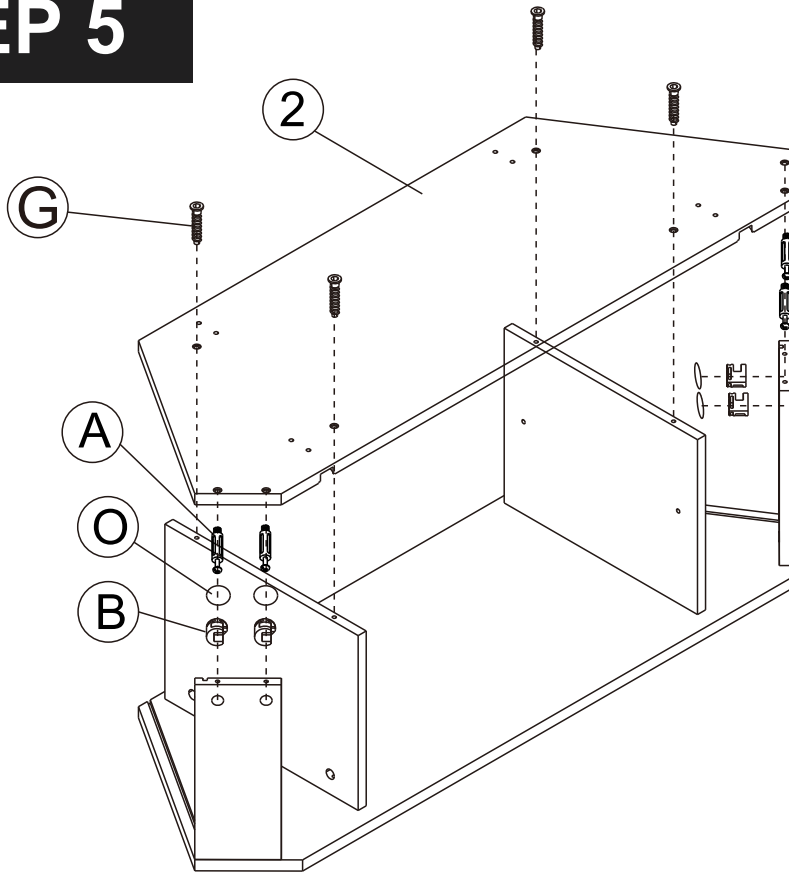
	
4x	4x
B	O

STEP 4

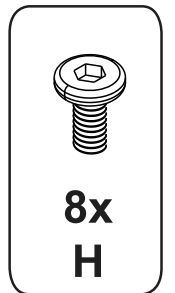
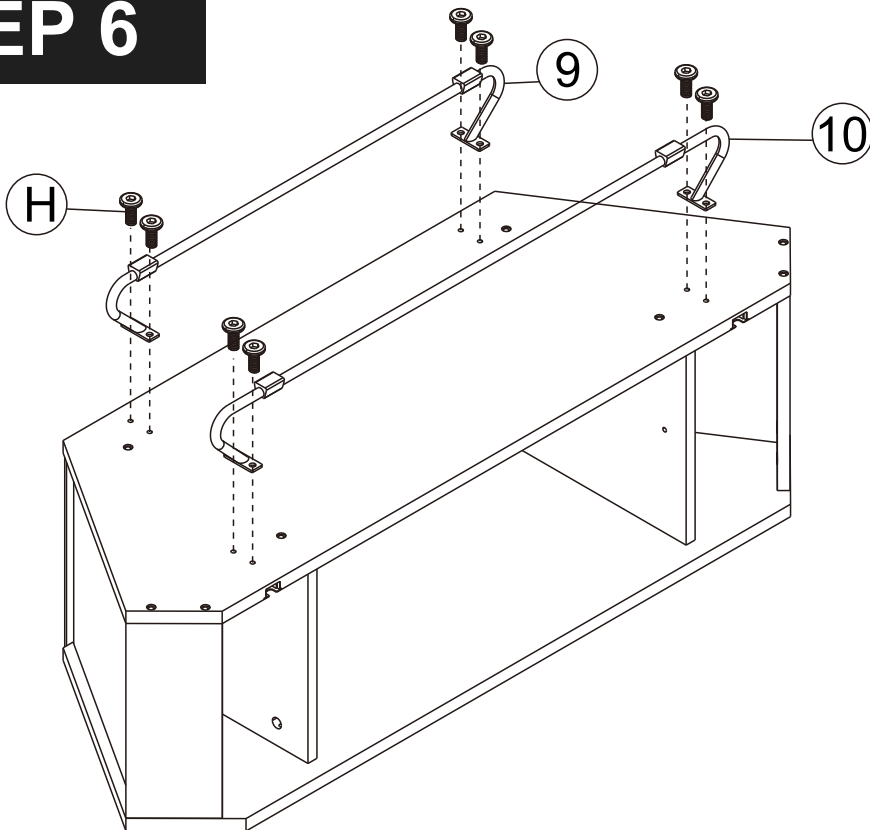


	
4x	4x
B	O

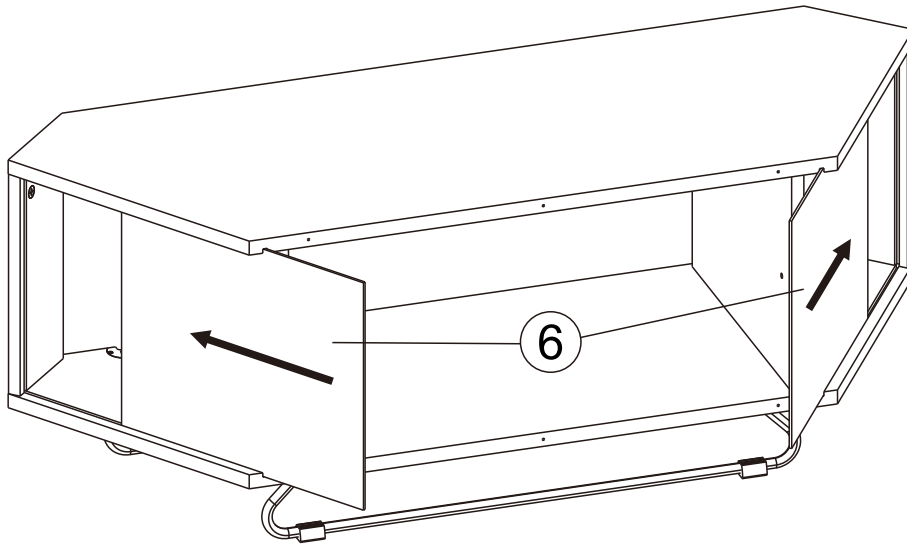
STEP 5



STEP 6



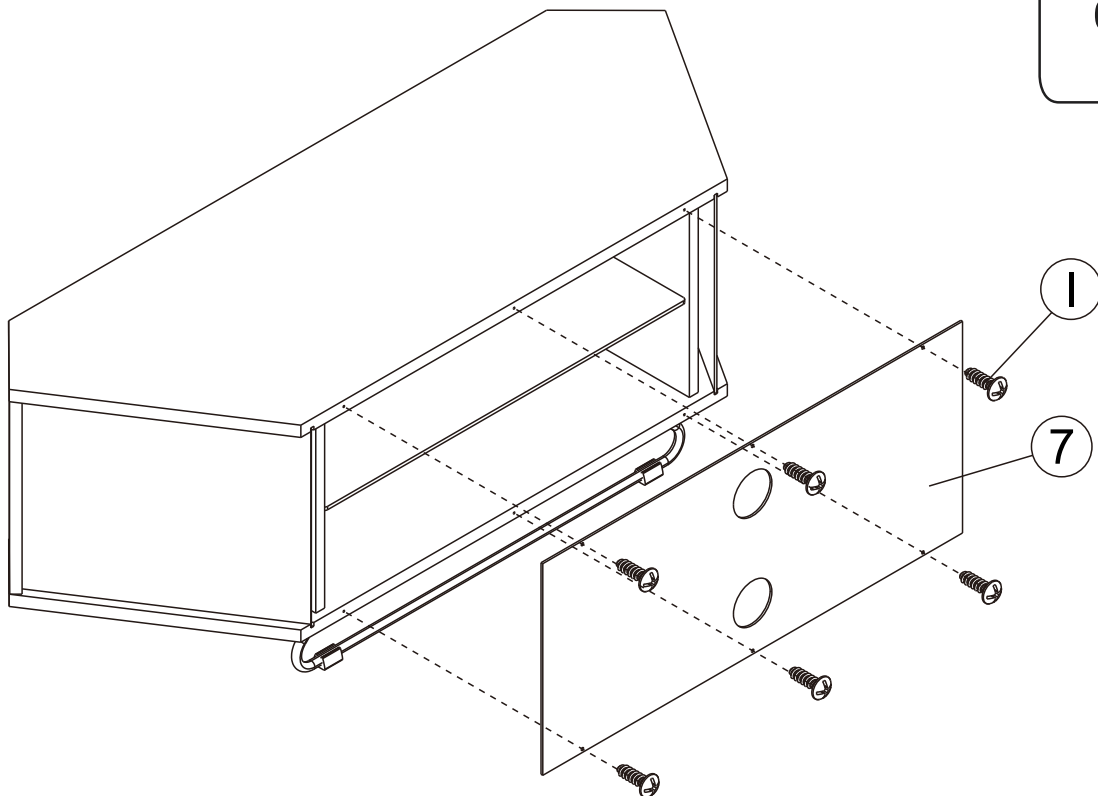
STEP 7



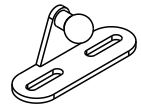
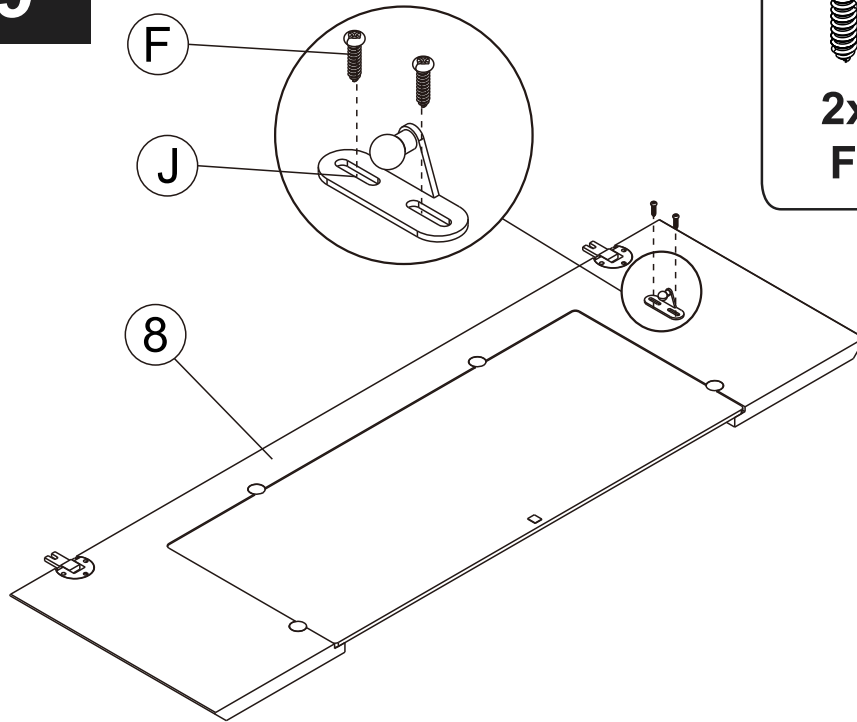
STEP 8



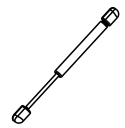
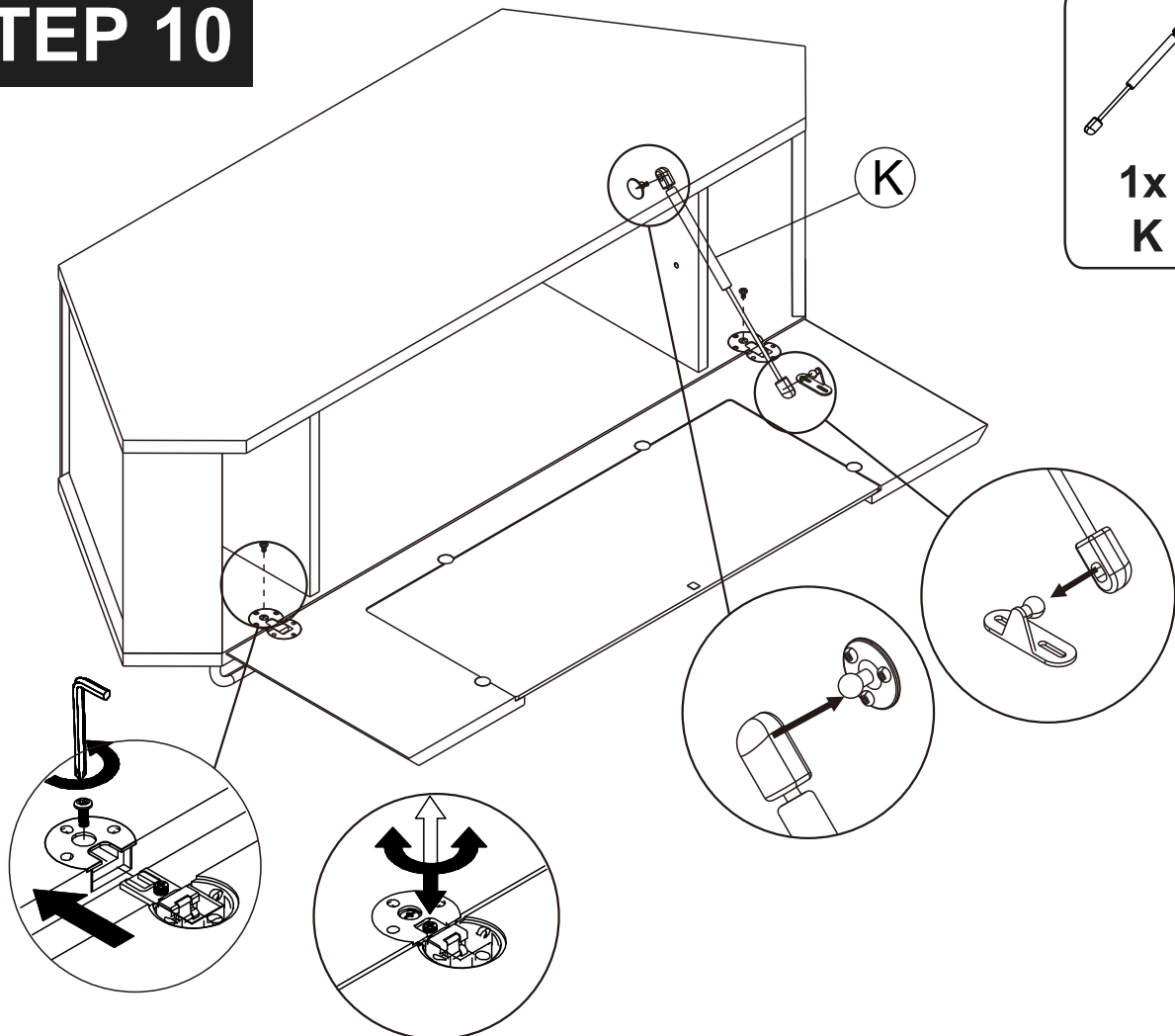
6x
I



STEP 9



STEP 10

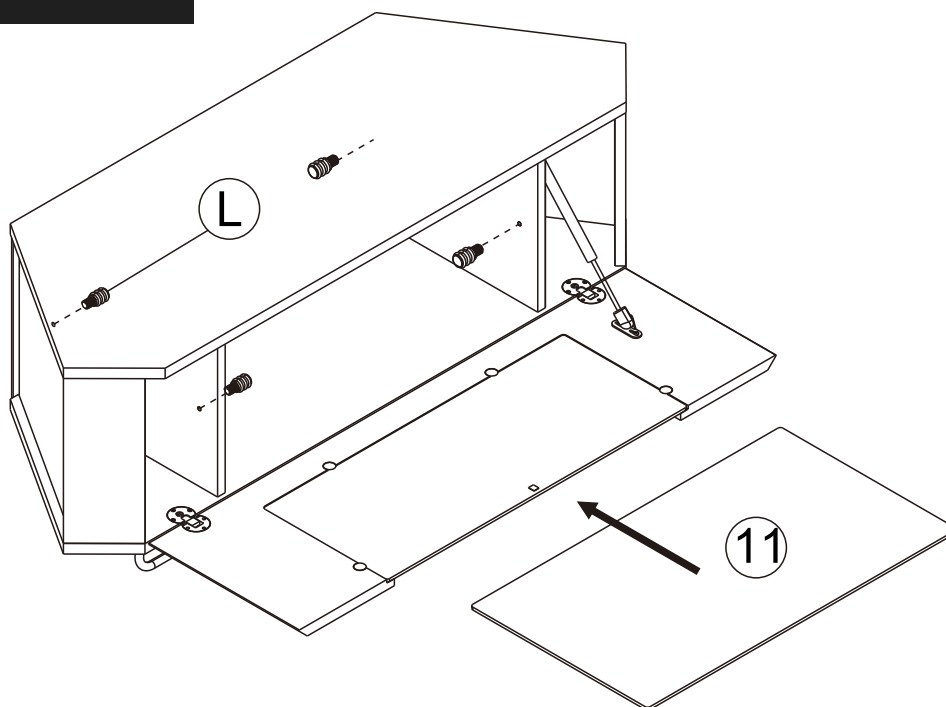


1x
K

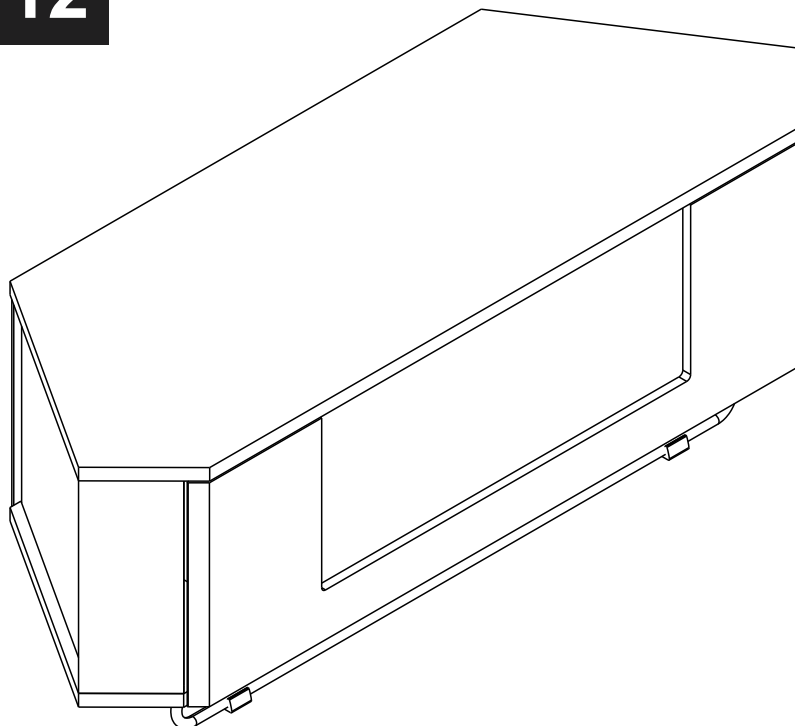
STEP 11



4x
L



STEP 12



PLEASE REFER TO THE ASSEMBLY INSTRUCTIONS SUPPLIED WITH THE HYBRID MOUNTING SYSTEM FOR FURTHER DETAILS OF ASSEMBLY & TV SCREEN FITMENT.