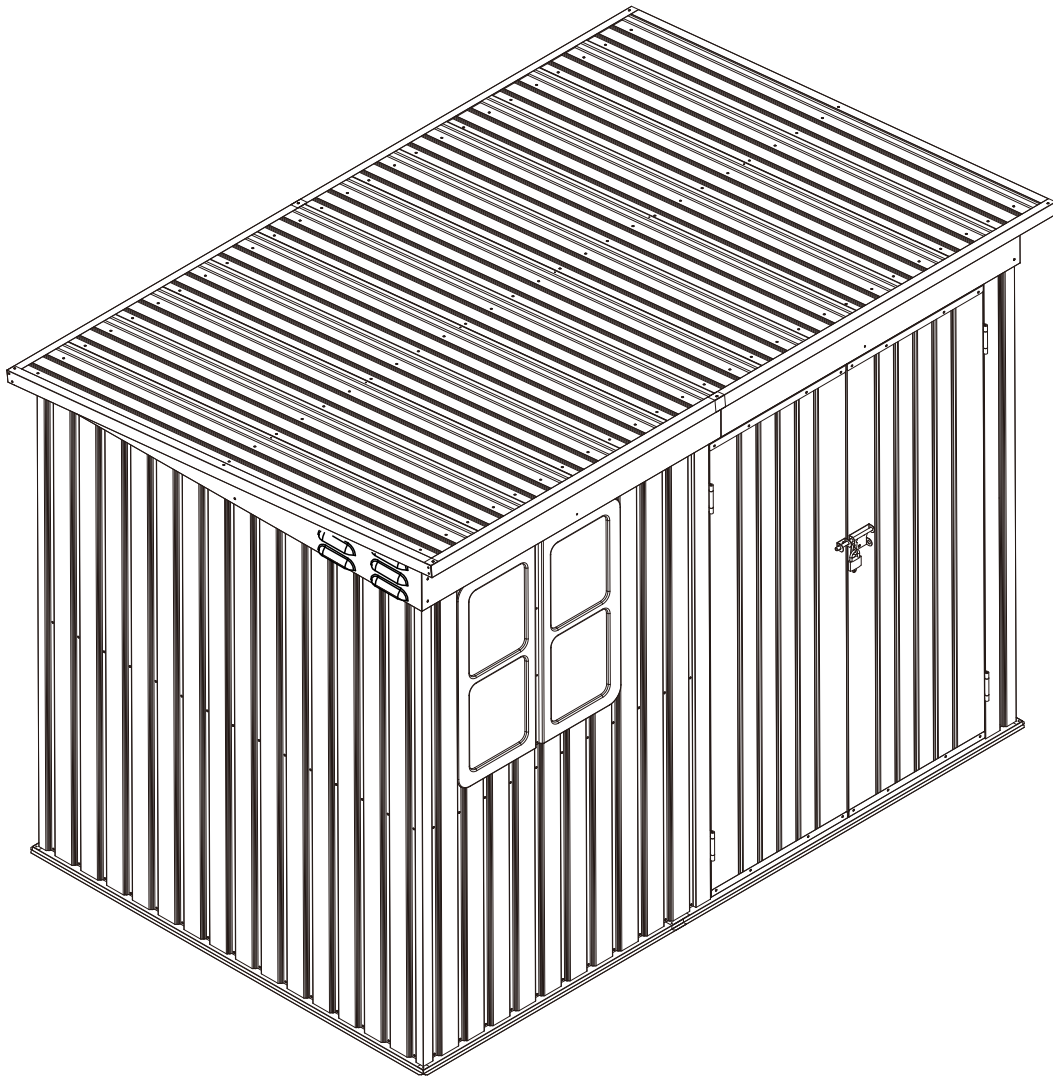


# Instructions for Assembly



## **ASSEMBLY INSTRUCTIONS**

Requires two people and takes 2-3 hours for Installation.

### **WARNING**

Please read the instruction manual carefully before assembly.  
Please assembly strictly in accordance with the instruction.  
Please double-check to ensure that all parts of the package contents intact.  
To avoid injury, work gloves are recommended during assembly.

## BEFORE YOU BEGIN

### **Owner's Manual**

Before beginning construction, check local building codes regarding footings, location and other requirements. Study and understand this owner's manual. Important information and helpful tips will make your construction easier and more enjoyable.

**Assembly Instructions:** Instructions are supplied in this manual and contain all appropriate information for your building model. Review all instructions before you begin, and during assembly, follow the step sequence carefully for correct results.

**Parts and Parts List:** Check to be sure that you have all the necessary parts, you're your building.

Separate contents of the carton by the part number while reviewing parts list.

The first few steps show how to join related parts to make larger sub assemblies which will be used later.

Familiarize yourself with the hardware and fasteners for easier use during construction.

These are packaged within the carton. Note that extra fasteners have been supplied for your convenience.

## PLAN AHEAD

**Watch the Weather:** Be sure the day you select to install your building is dry and calm.

Do not attempt to assemble your building on a windy day. Be careful on wet or muddy ground.

**Teamwork:** Whenever possible, two or more people should work together to assemble your building. One person can position parts or panels while the other is able to handle the fasteners and the tools.

**Tools and Materials:** These are some basic tools and materials you will need for the construction of your building. Decide which method of anchoring and the type of foundation you wish to use in order to form a complete list of the materials you will need.

## CARE & MAINTENANCE

**Finish:** For long lasting finish, periodically clean and wax the exterior surface. Touch-up scratches as soon as you notice them on your unit. Immediately clean the area with a wire brush; wash it and apply touch-up paint per manufacturer's recommendation.

**Roof:** Keep roof clear of leaves and snow with long handled, soft-bristled broom. Heavy amounts of snow on roof can damage building making it unsafe to enter. In snow country, Roof Strengthening Kits are available for most Arrow Buildings for added protection against heavy snow accumulation.

**Doors:** Always keep the door tracks clear of dirt and other debris that prevent them from sliding easily. Lubricate door track annually with furniture polish or silicone spray. Keep doors closed and locked to prevent wind damage

**Fasteners:** Use all washers supplied to protect against weather infiltration and to protect the metal from being scratched by screws. Regularly check your building for loose screws, bolts, nuts, etc. and retighten them as necessary.

**Moisture:** A plastic sheet (vapor barrier) placed under the entire floor area with good ventilation will reduce condensation.

### **Other Tips....**


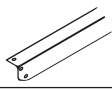
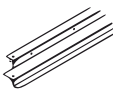
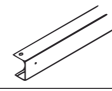
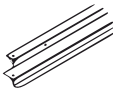
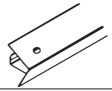
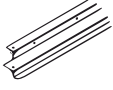
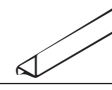
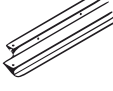
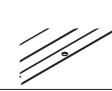
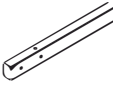
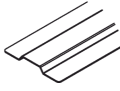
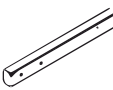

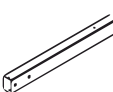
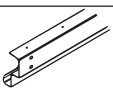
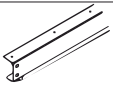
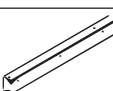
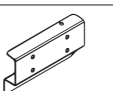
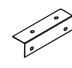

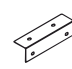
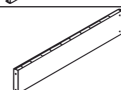
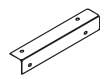
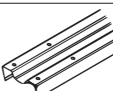
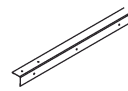
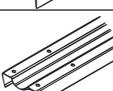
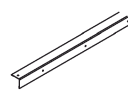
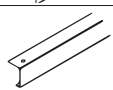
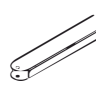
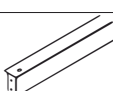



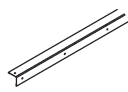

Wash off ink part numbers on coated panels with soap and water.

Silicone caulking may be used for watertight seals throughout the building.

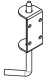

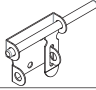

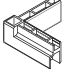








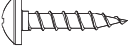

**Do not store swimming pool chemicals in your building. Combustibles and corrosives must be stored in air tight approved containers.**










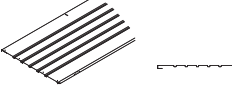



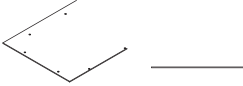
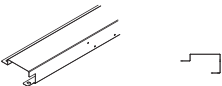
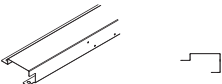
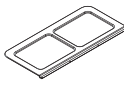


# PARTS LIST 2/2


NO.	PART	Qty.	NO.	PART	Qty.
1		2	17L		1
3L		1	17R		1
3R		1	18		1
4L		1	26		1
4R		1	27		2
7		1	28		1
8		1	29		2
9		1	PS1		1
10L		1	PS2		1
10R		1	PS3		1
11		1	PS4		4
12		1	B1		1
12L		1	B2		1
12R		1	B3		4
13		1	24L		1
14		1	24R		1
15		1	DX1		4
16		1	21L		1
17		1	21R		1
			22		2
			23		1

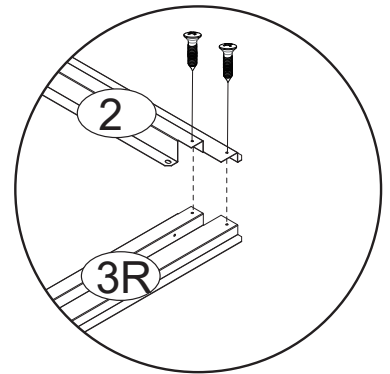
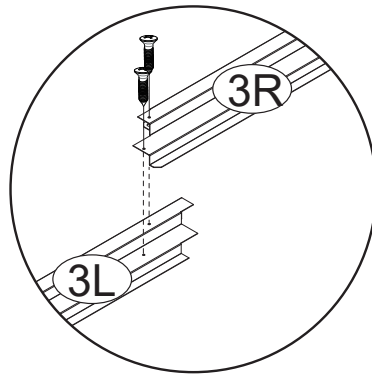
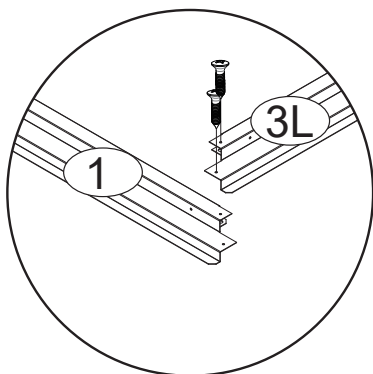
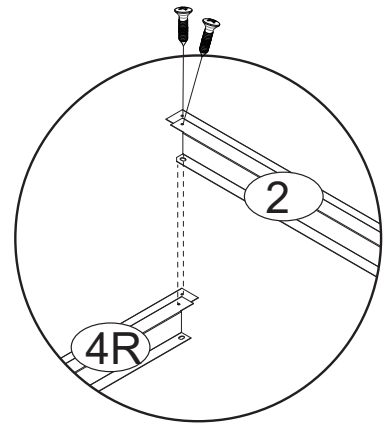
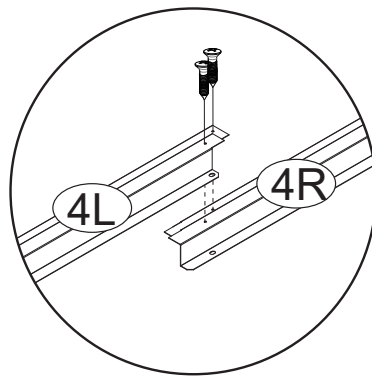
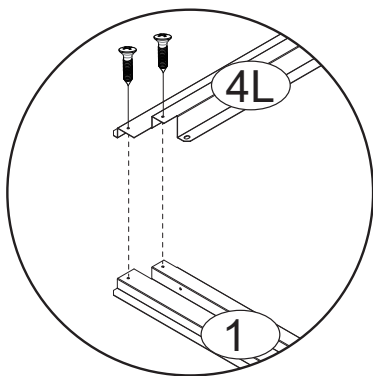
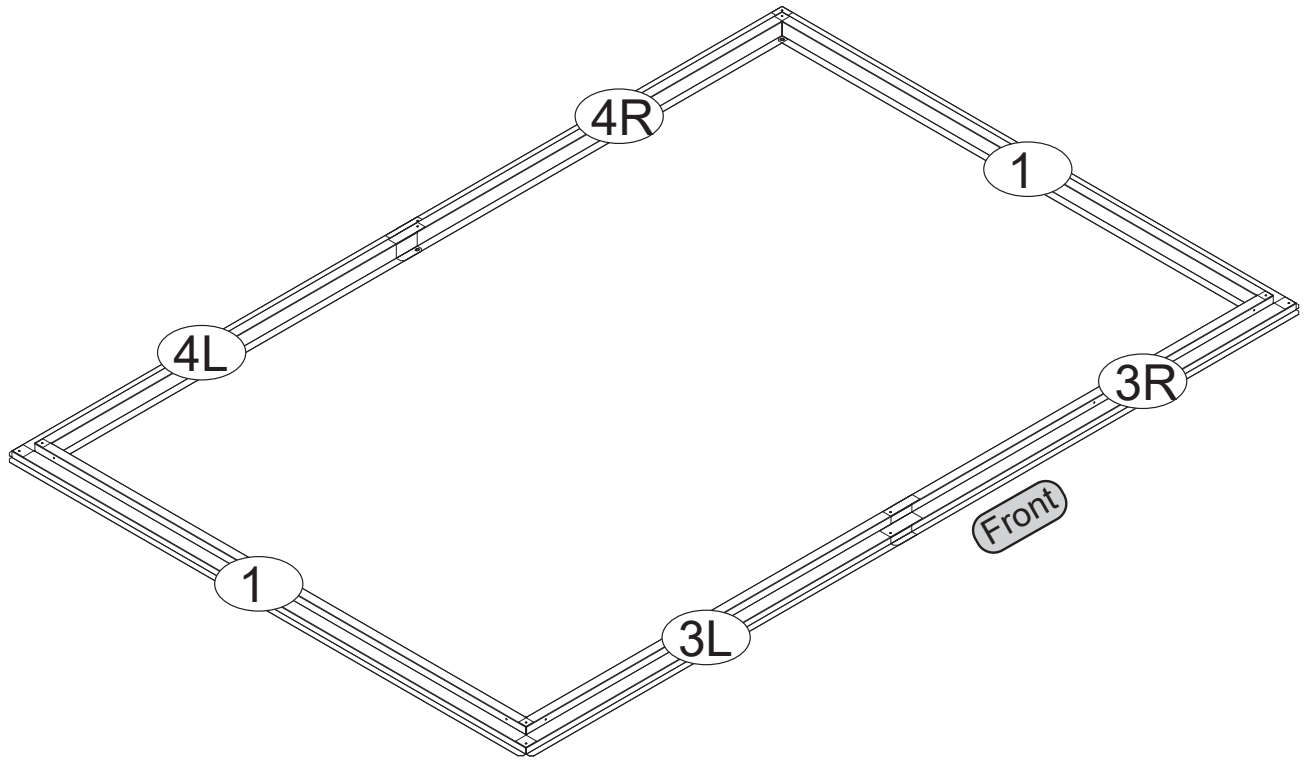
# PART LIST 2/2




NO.	PART	Qty.
DC		2
DF		1
DG		1
DH		4
G2		4
GL		2
GS		1
F1		369
F2		37
F3		32
S1		129
S2		360
F4		5
F5		1
F6		4

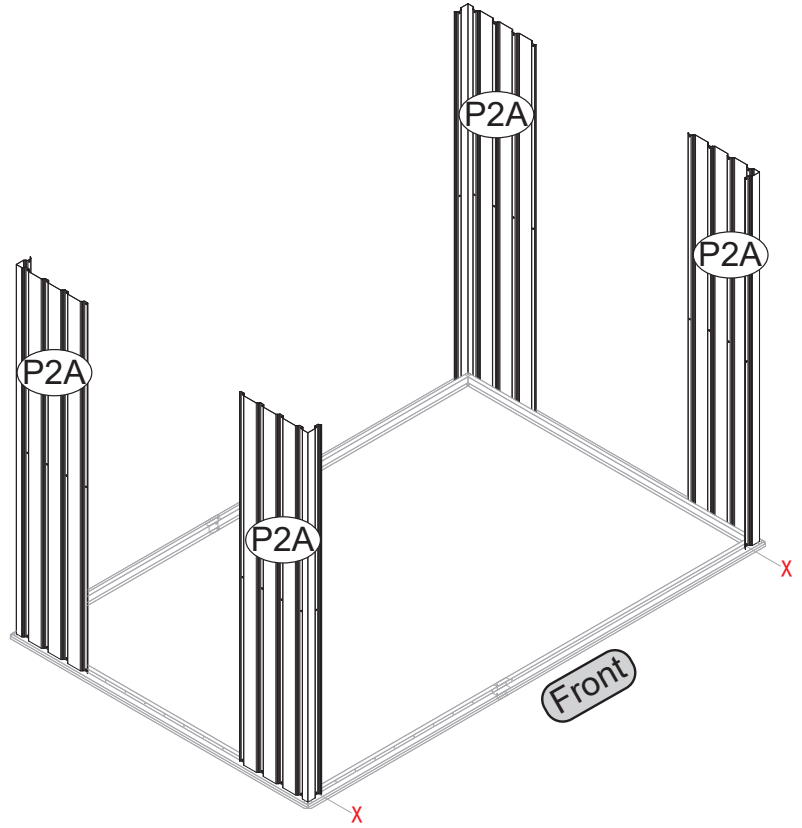
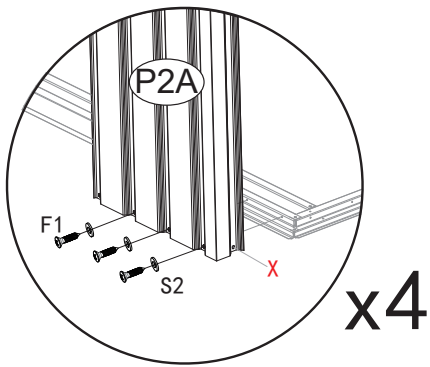
# PARTS LIST 1/2





NO.	PART	Qty.
P1B		1
P3		9
P2A		4
P4		1
P4B		1
P3A		1
P3B		1
DLA		1
DRA		1
DLB		1
DRB		1
25		2
25L		1
25R		1
27L		1
27R		1
20		4

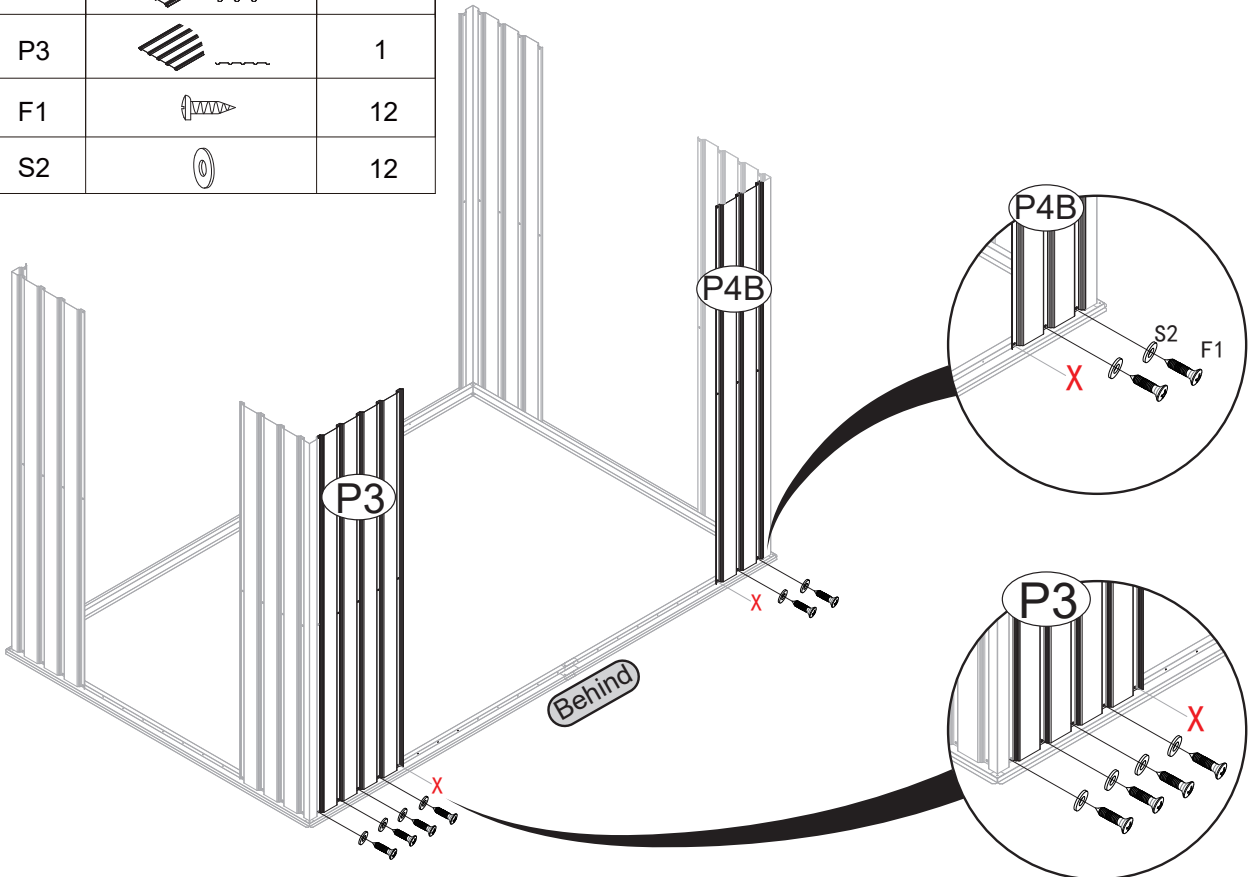
NO.	PART	Qty.
F1		12



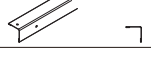




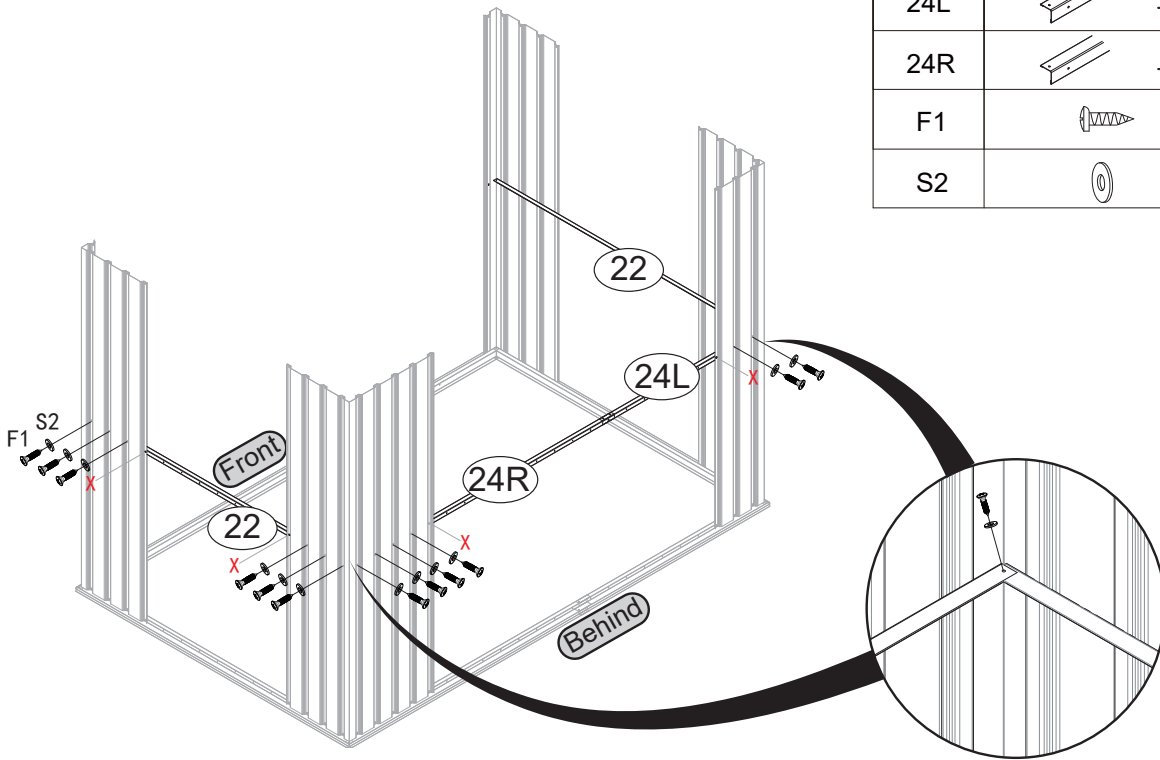
NO.	PART	Qty.
P2A		4
F1		12
S2		12






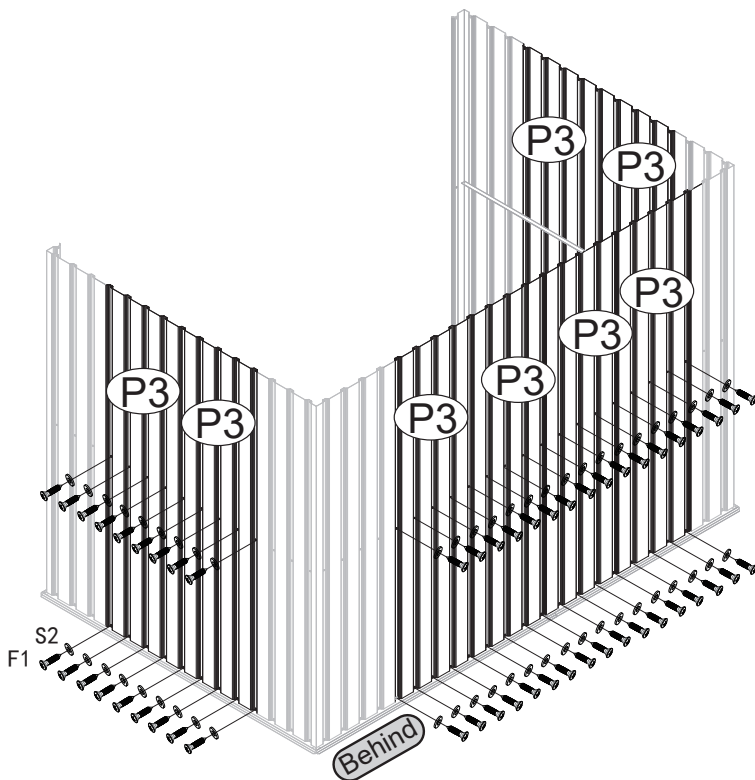
NO.	PART	Qty.
P4B		1
P3		1
F1		12
S2		12

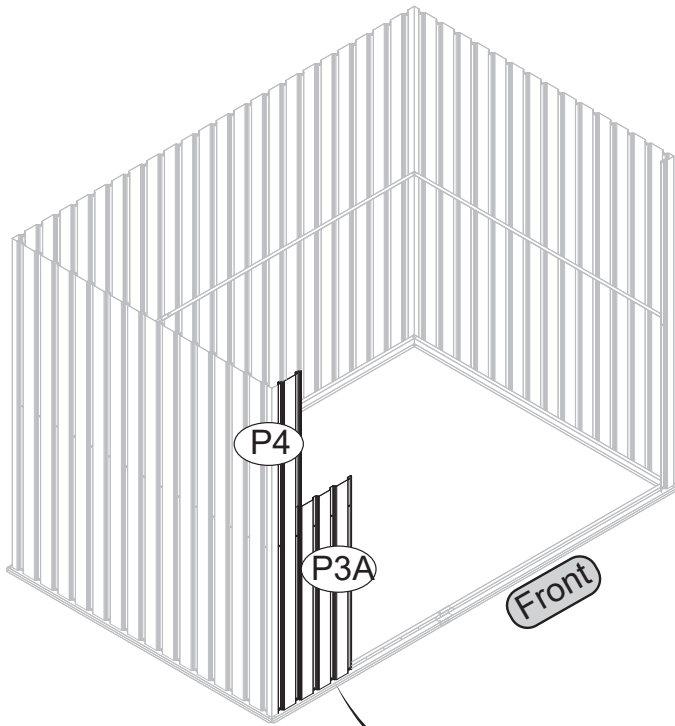


NO.	PART	Qty.
22		2
24L		1
24R		1
F1		18
S2		18

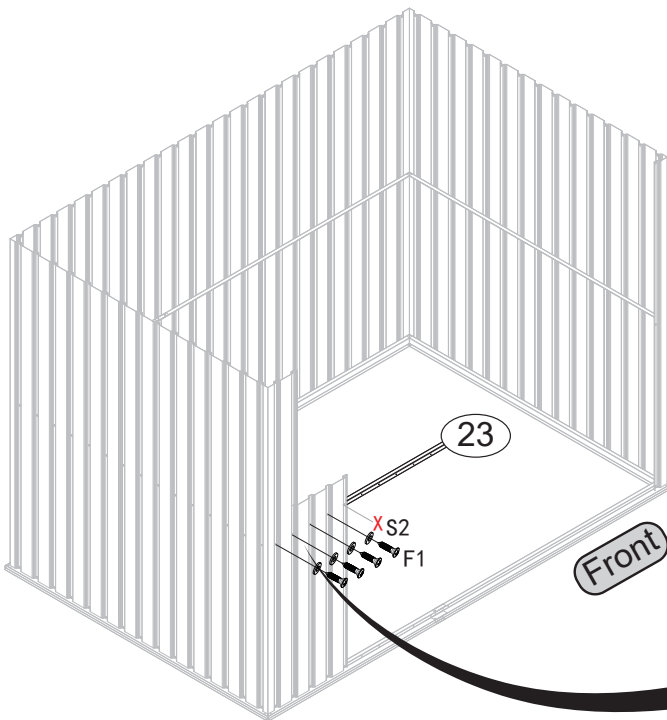
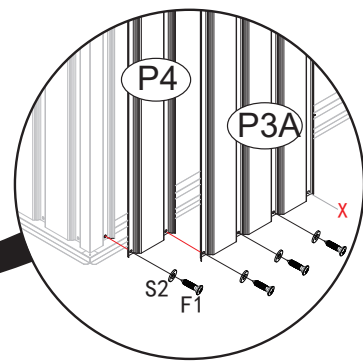


NO.	PART	Qty.
P3		8
F1		70
S2		70

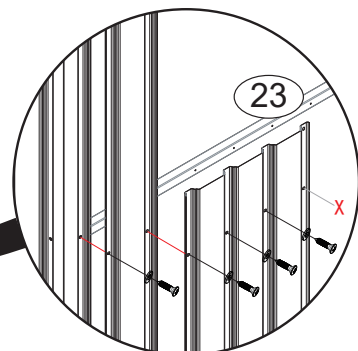




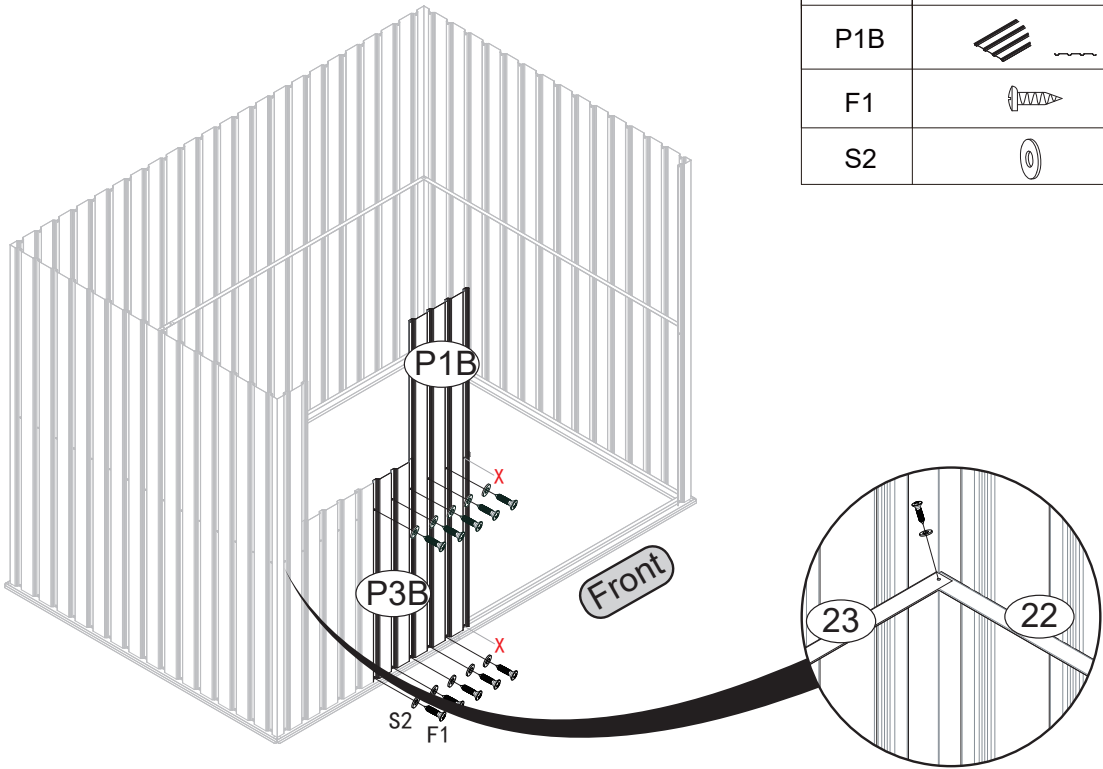
NO.	PART	Qty.
P4		1
P3A		1
F1		4
S2		4



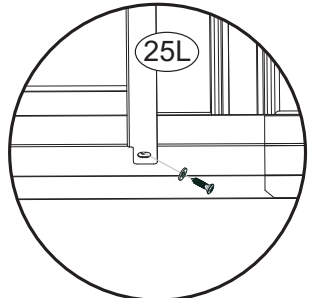
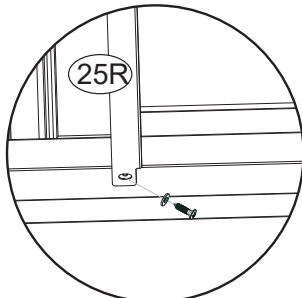
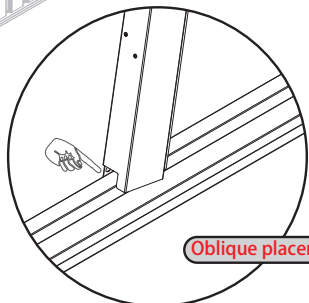
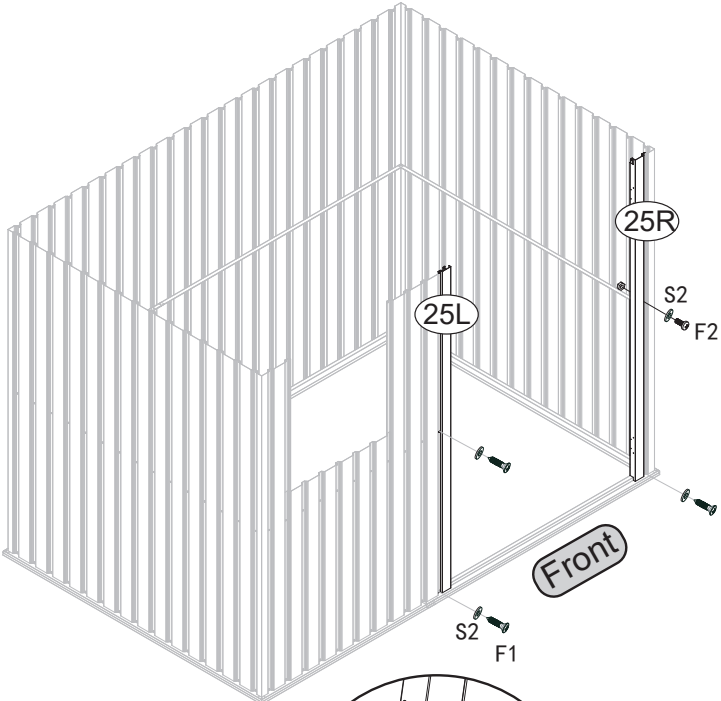
NO.	PART	Qty.
23		1
F1		4
S2		4



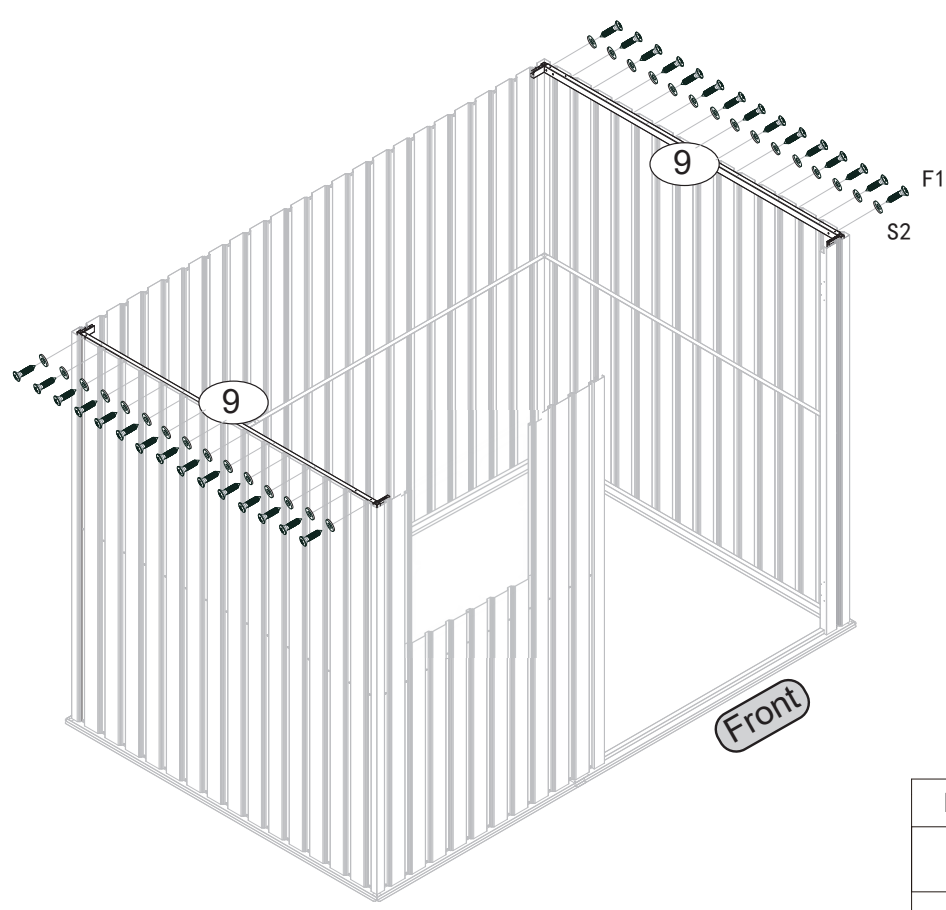
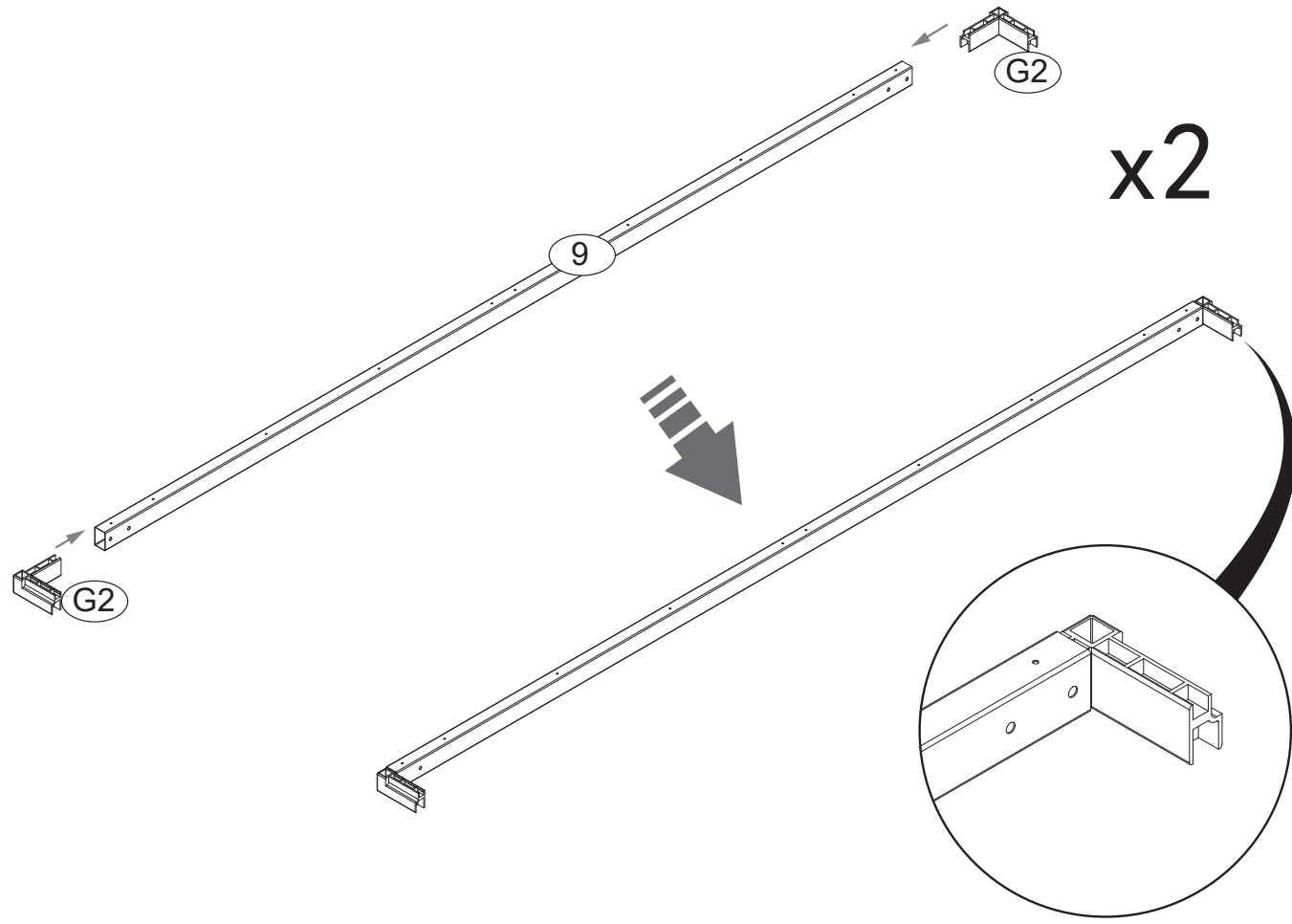
NO.	PART	Qty.
P3B		1
P1B		1
F1		5
S2		5





NO.	PART	Qty.
25L		1
25R		1
F1		5
F2		1
S2		6

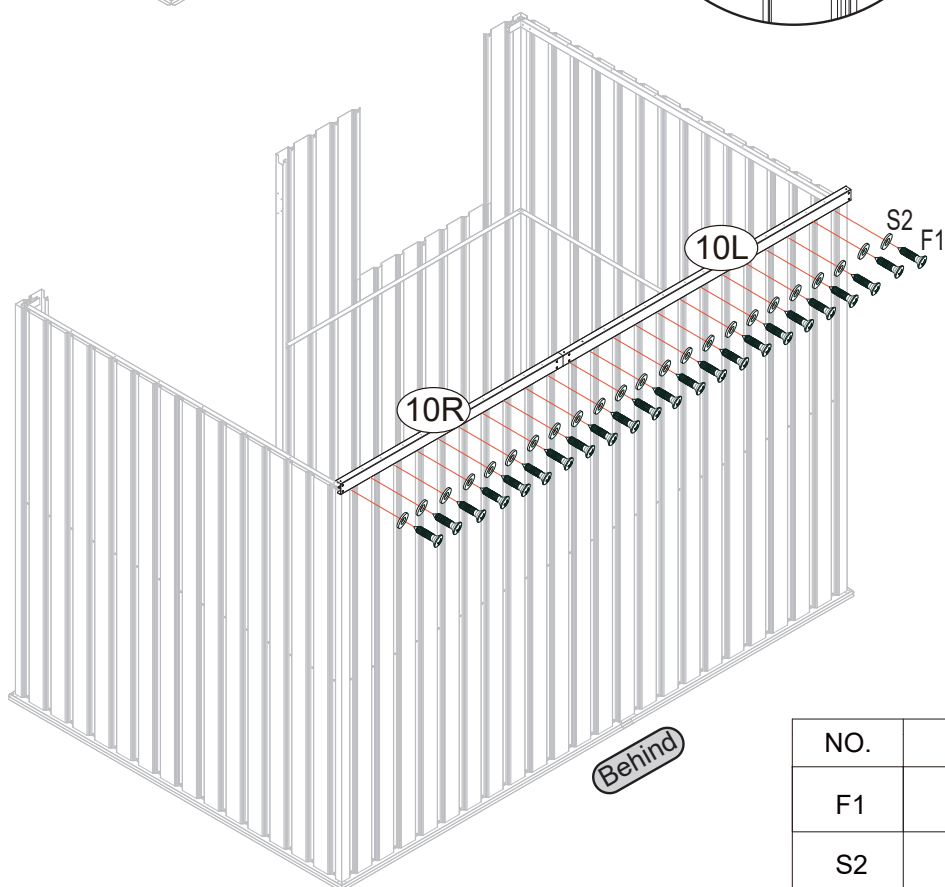
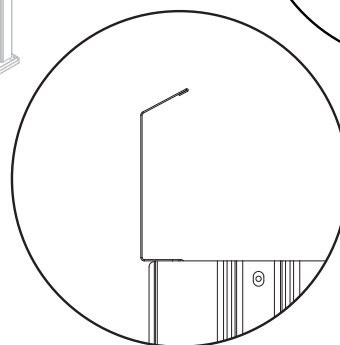
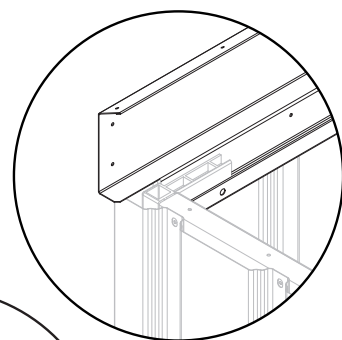
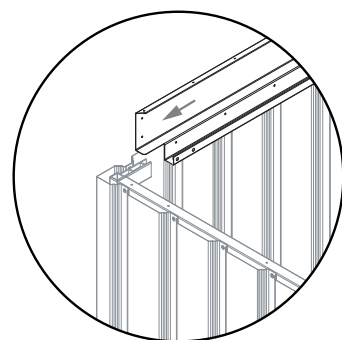
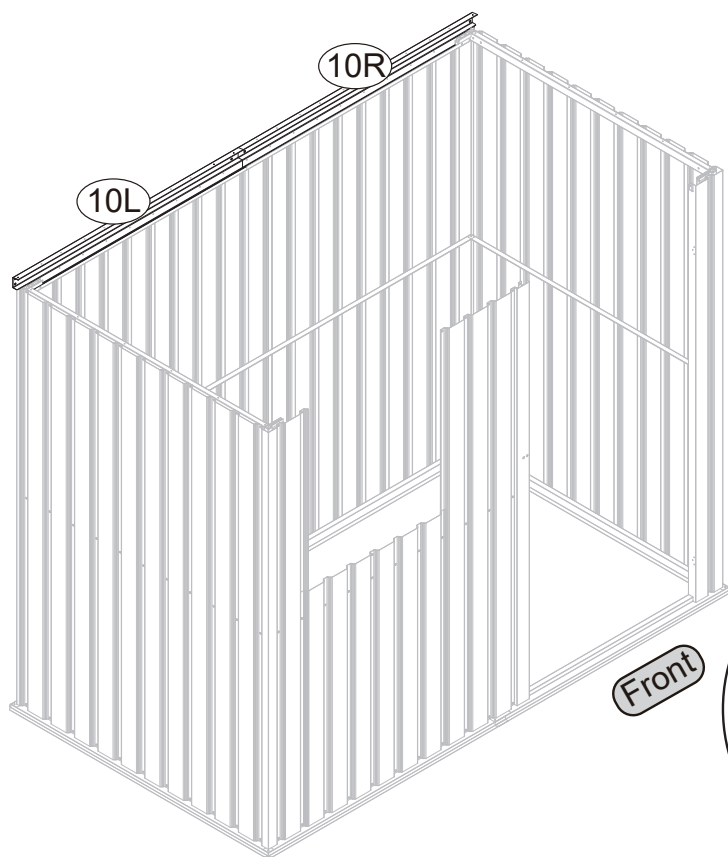




x2



NO.	PART	Qty.
F1		30
S2		30

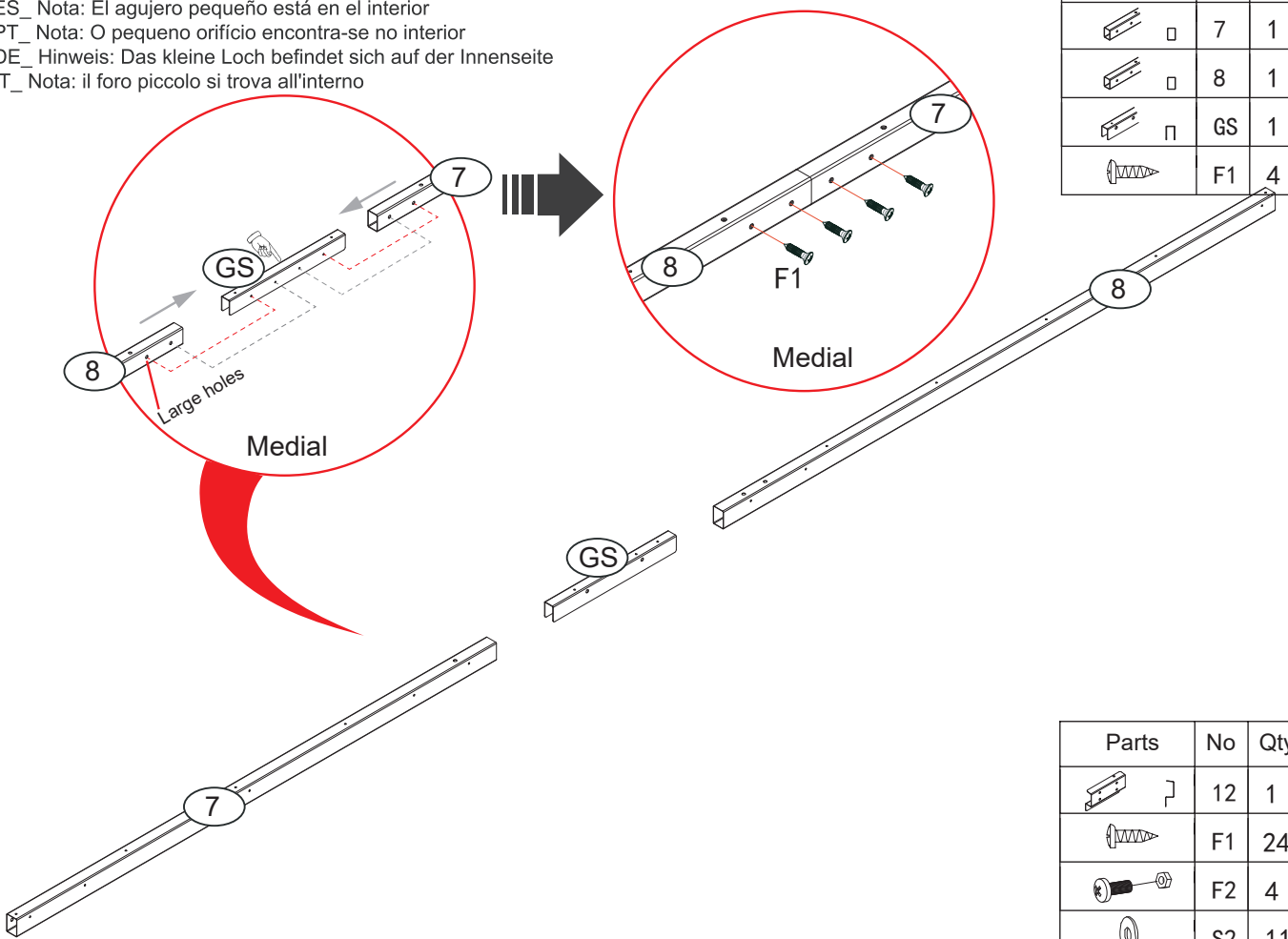
EN\_ Insert four different products into G2 separately  
 FR\_ Ins érer s é par é ment quatre produits diff é rents dans G2  
 ES\_ Introduzca cuatro productos diferentes en G2 por separado  
 PT\_ Inserir quatro produtos diferentes no G2 separadamente  
 DE\_ Vier verschiedene Produkte separat in G2 einf ü gen  
 IT\_ Inserire quattro prodotti diversi in G2 separatamente



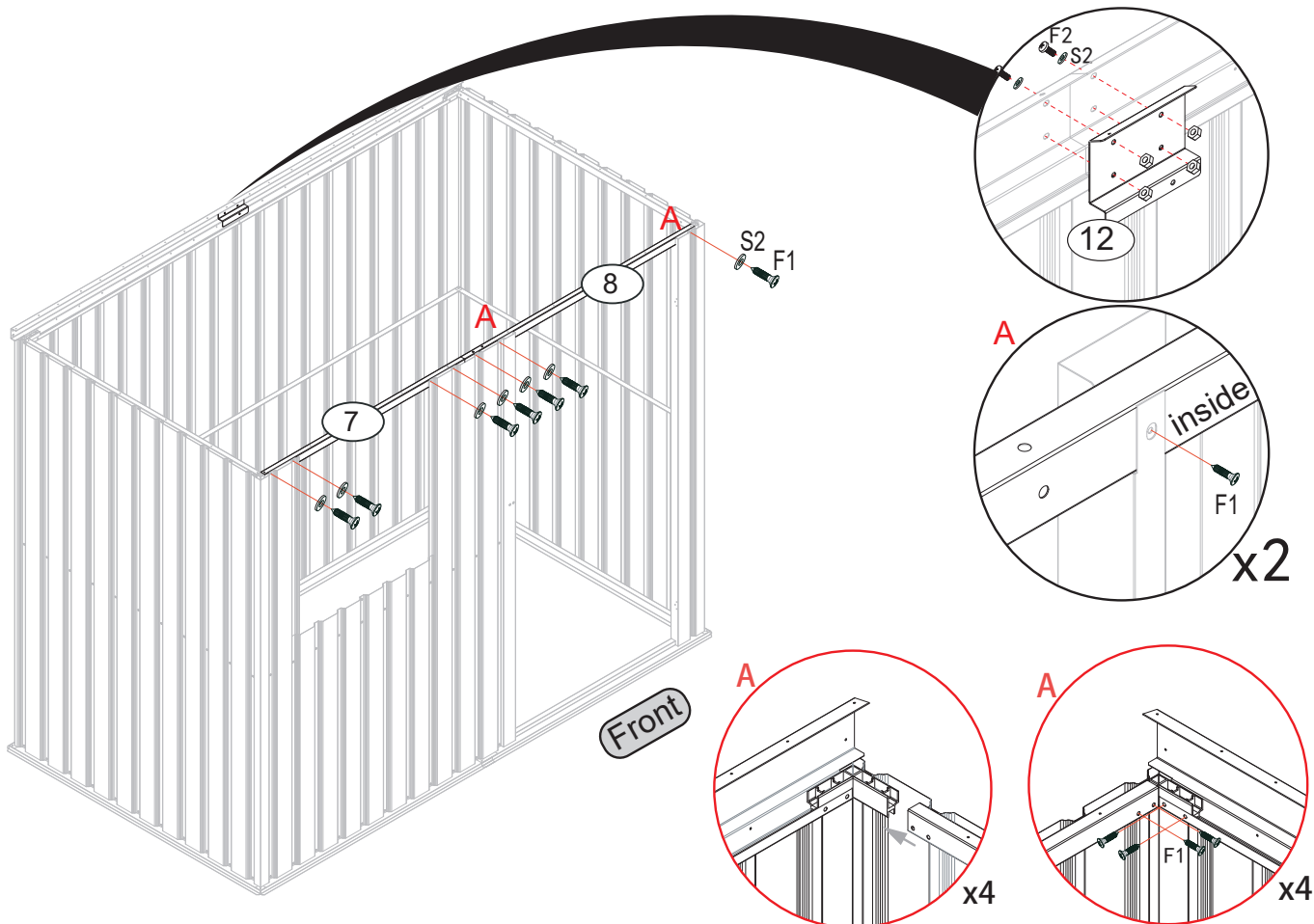
NO.	PART	Qty.
F1		23
S2		23

EN\_ Note: The small hole is on the inside  
 FR\_ Remarque : le petit trou se trouve à l'intérieur  
 ES\_ Nota: El agujero pequeño está en el interior  
 PT\_ Nota: O pequeno orifício encontra-se no interior  
 DE\_ Hinweis: Das kleine Loch befindet sich auf der Innenseite  
 IT\_ Nota: il foro piccolo si trova all'interno

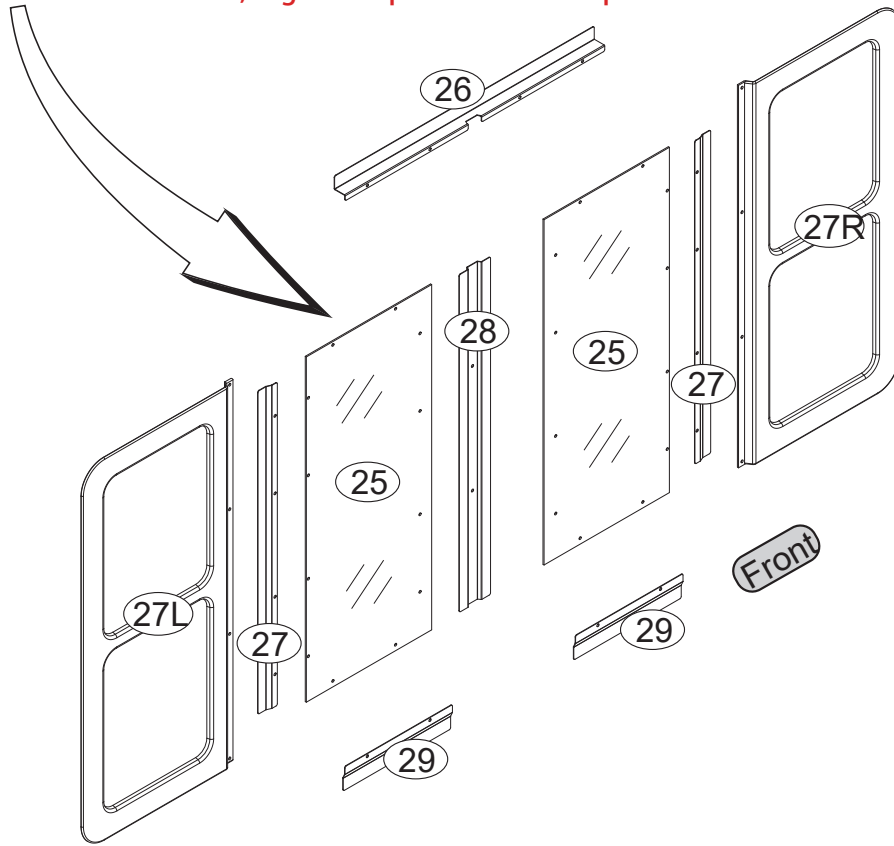
Parts	No	Qty
	7	1
	8	1
	GS	1
	F1	4





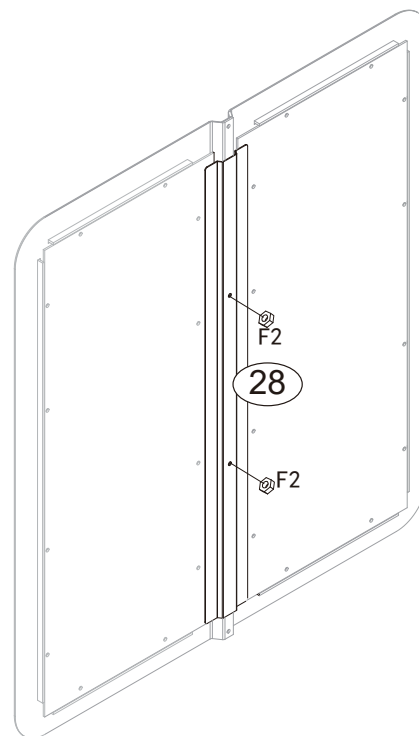
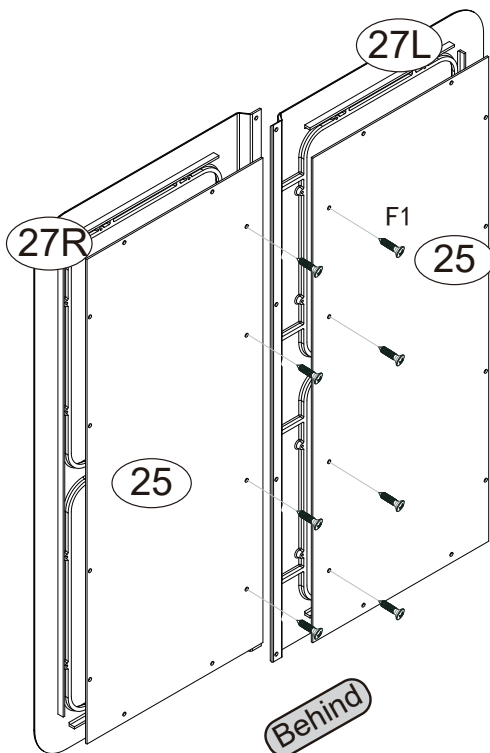
Parts	No	Qty
	12	1
	F1	24
	F2	4
	S2	11

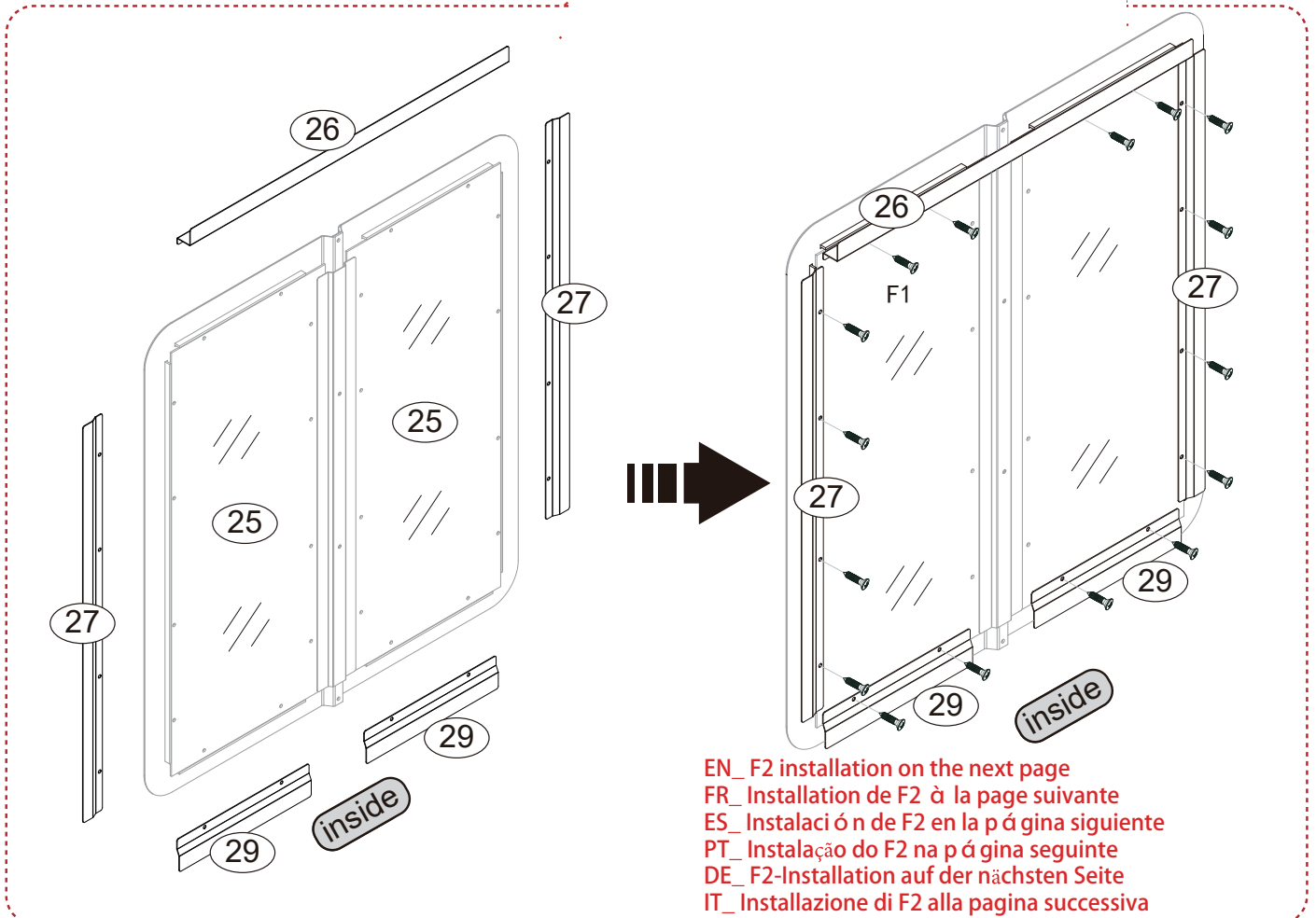
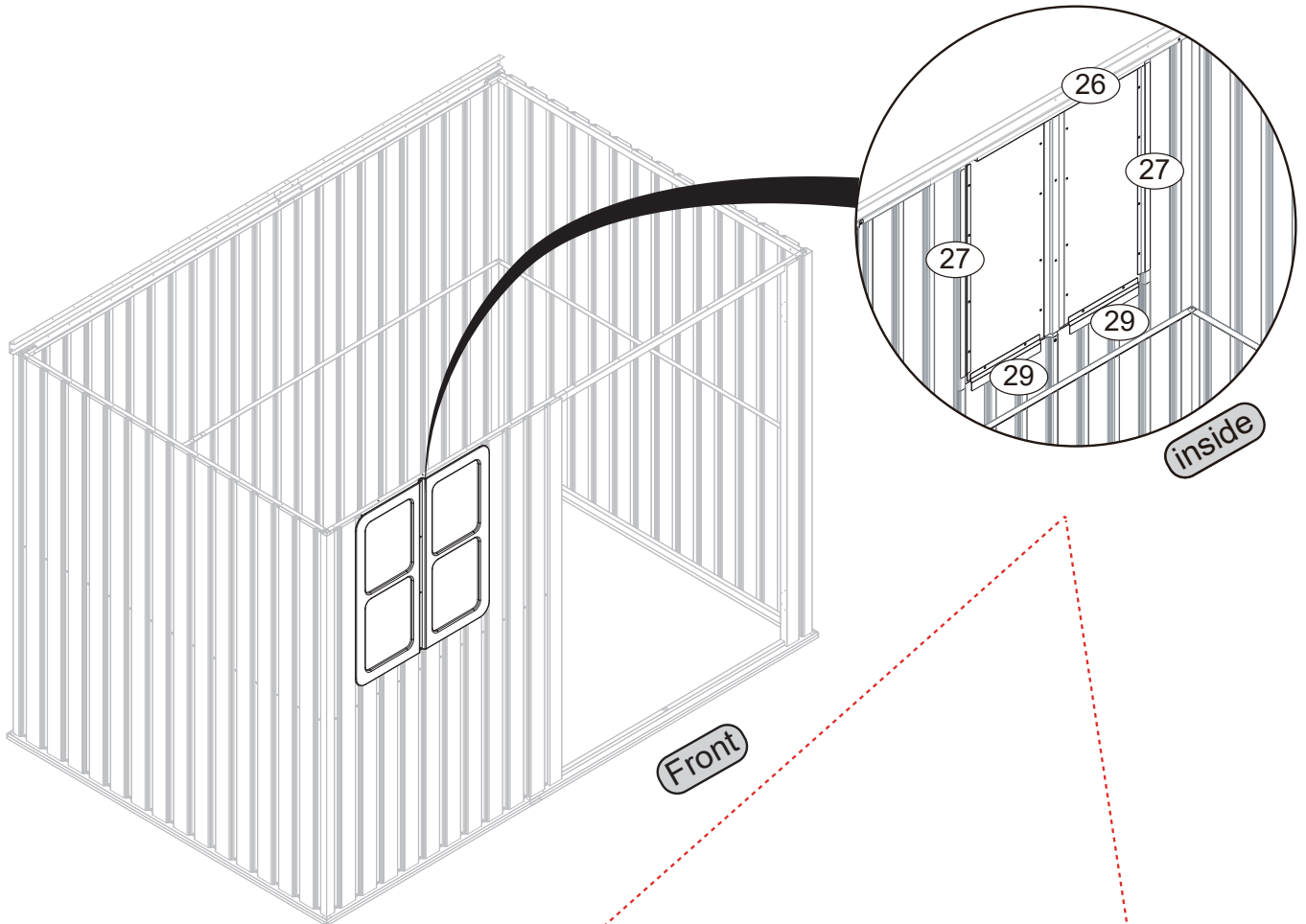


EN\_ Before installing the window, peel off the film covering  
 FR\_ Avant d'installer la fenê tre, d é collez le film qui la recouvre.  
 ES\_ Antes de instalar la ventana, despegue la pel í cula que cubre  
 PT\_ Antes de instalar a janela, retire a pel í cula que cobre  
 DE\_ Ziehen Sie vor dem Einbau des Fensters die Folie ab, die  
 IT\_ Prima di installare la finestra, togliere la pellicola che ricopre la finestra.

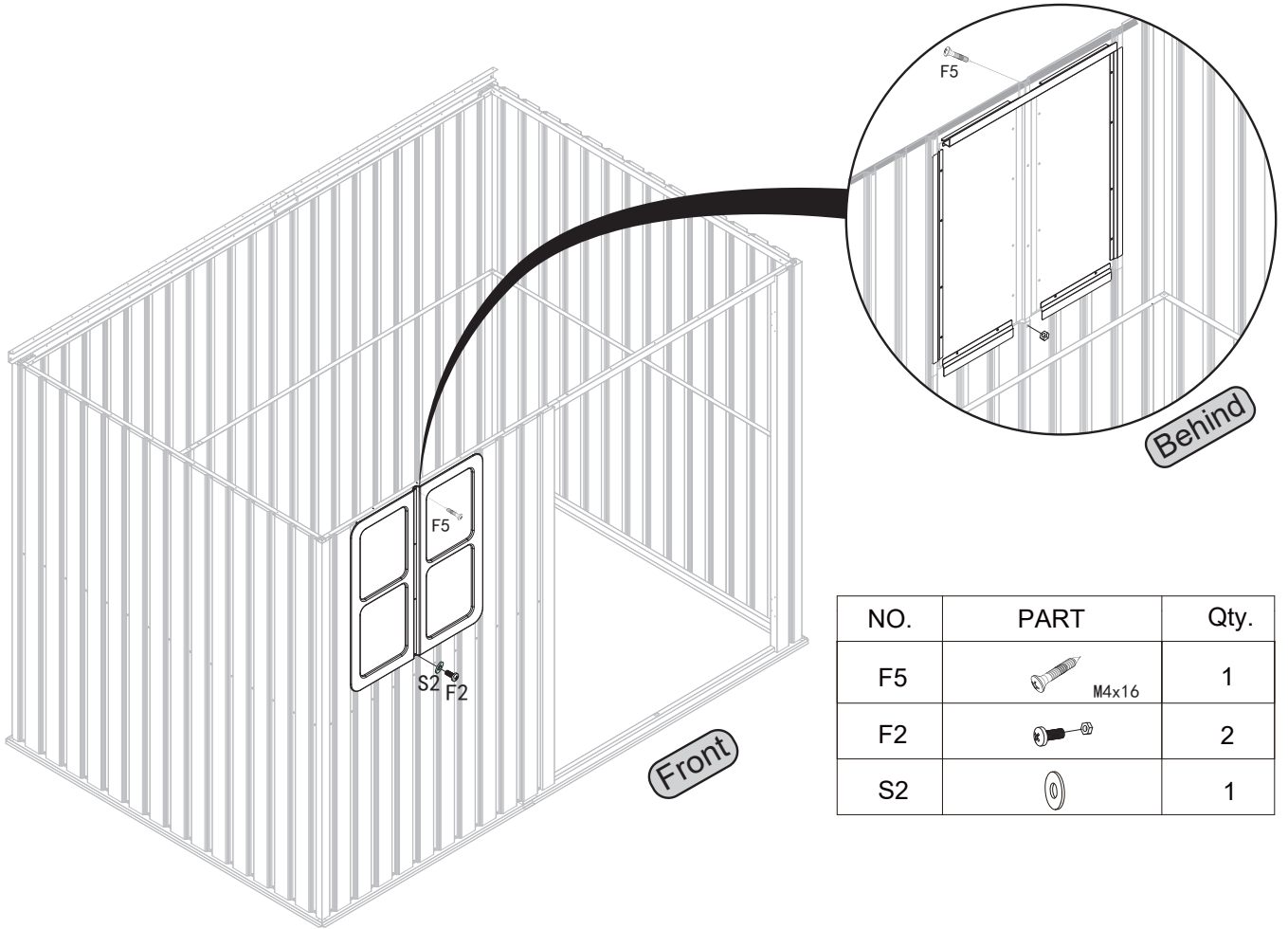





NO.	PART	Qty.
F2		2
F1		8

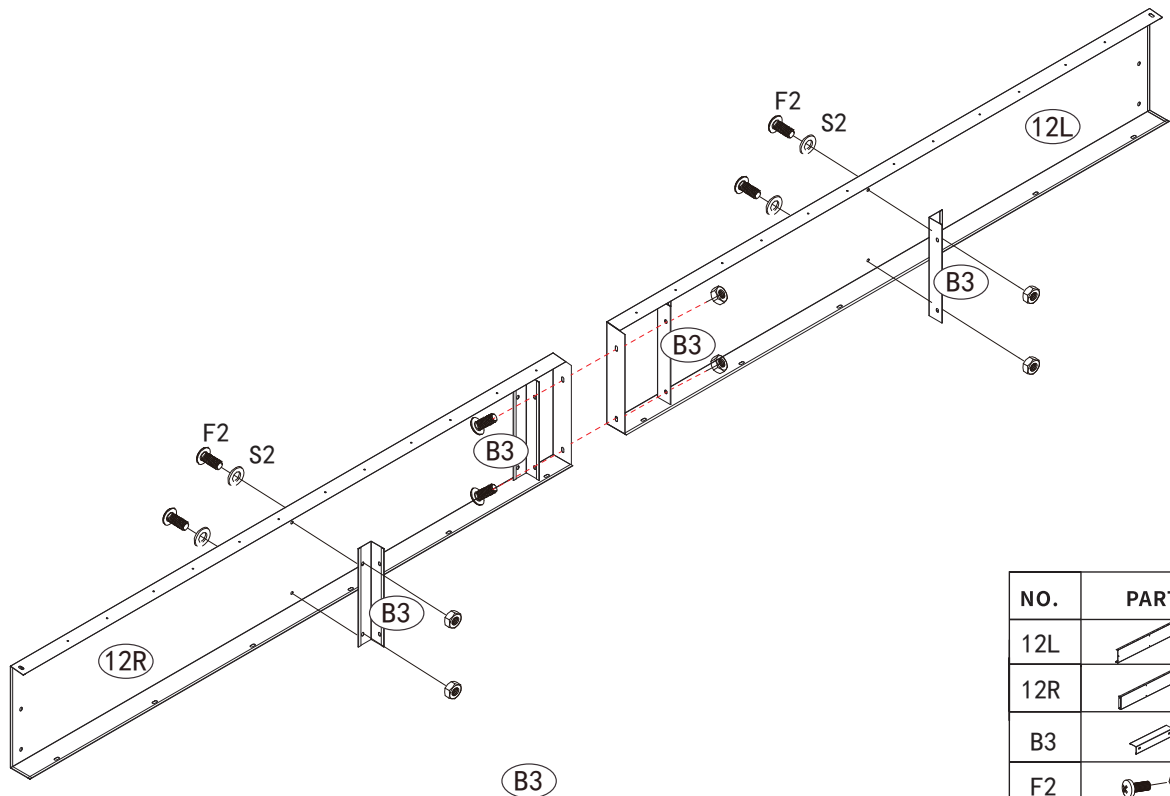


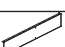

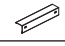
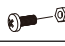



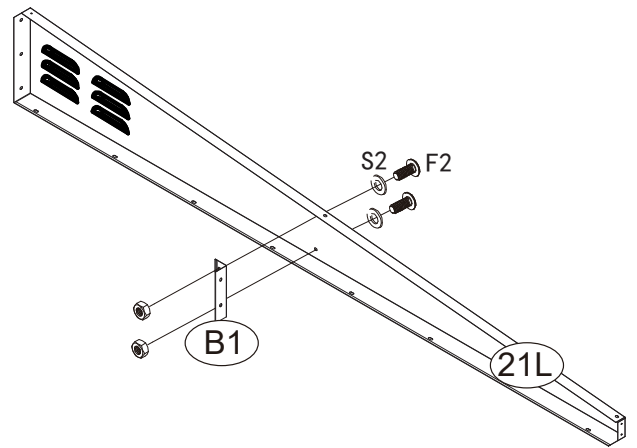
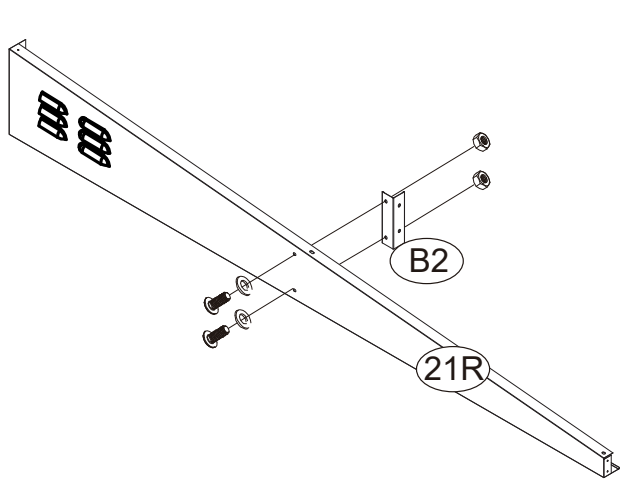
EN\_ F2 installation on the next page  
 FR\_ Installation de F2 à la page suivante  
 ES\_ Instalación de F2 en la página siguiente  
 PT\_ Instalação do F2 na página seguinte  
 DE\_ F2-Installation auf der nächsten Seite  
 IT\_ Installazione di F2 alla pagina successiva



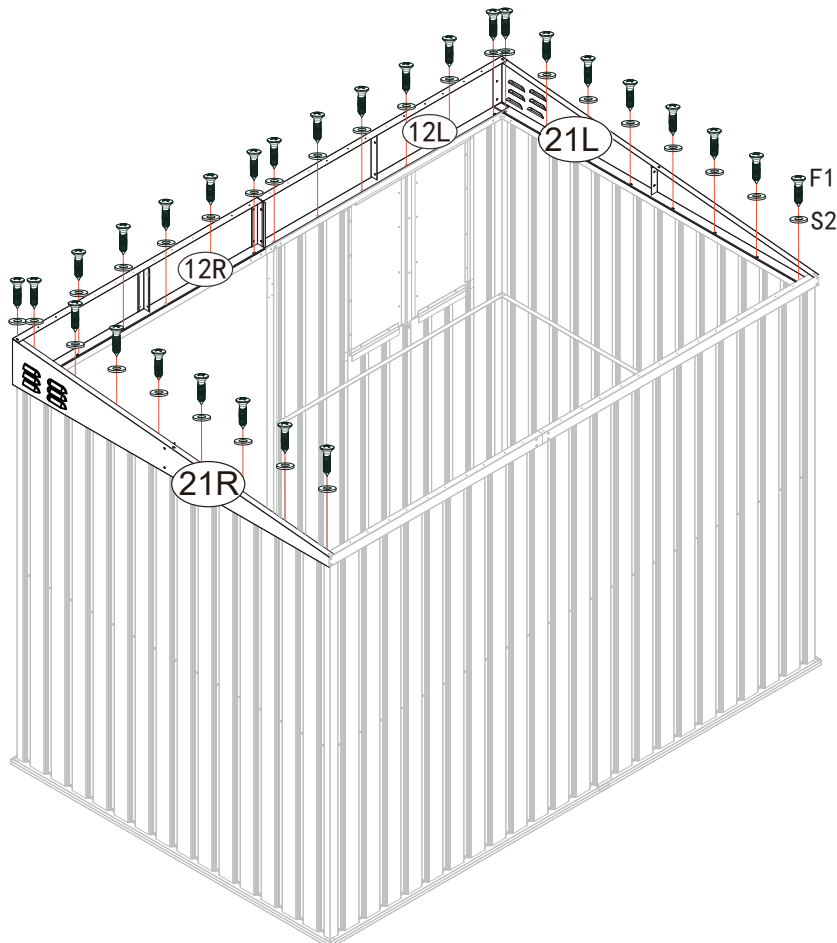
NO.	PART	Qty.
F5	 M4x16	1
F2		2
S2		1



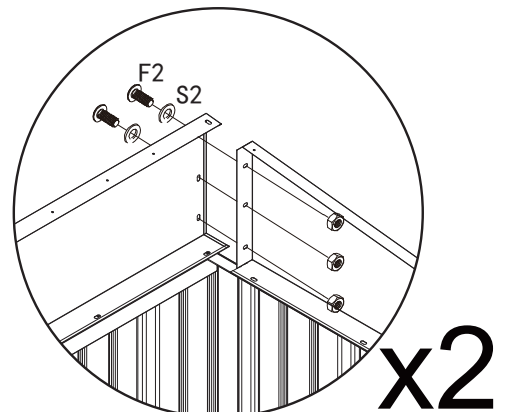
NO.	PART	Qty.
12L		1
12R		1
B3		4
F2		6
S2		4






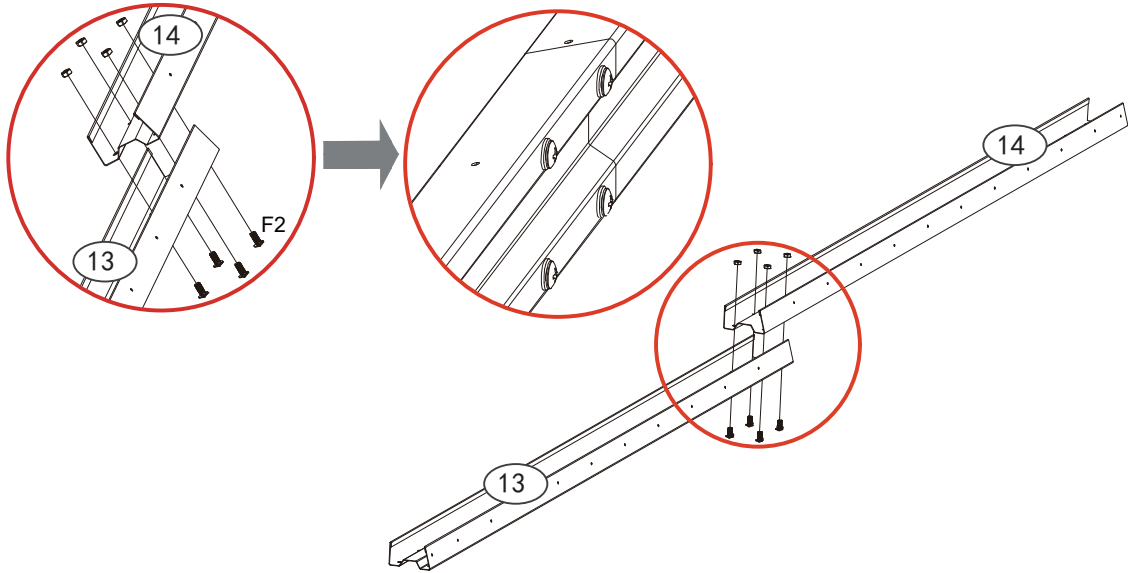
NO.	PART	Qty.
21L		1
21R		1
B1		1
B2		1
F2		4
S2		4




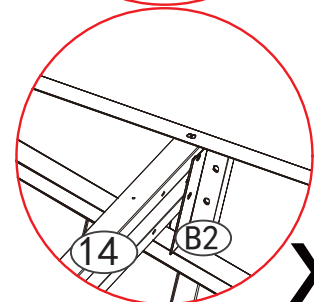
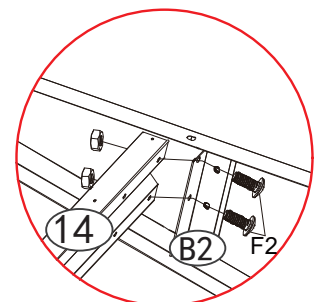
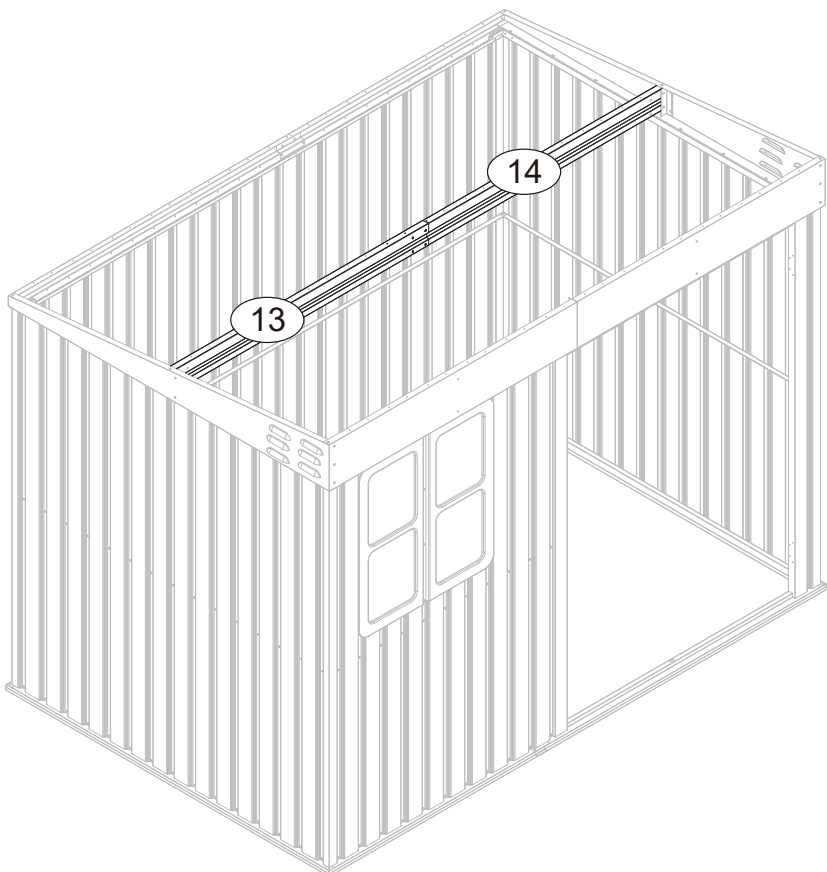
NO.	PART	Qty.
F1		28
F2		3
S2		31



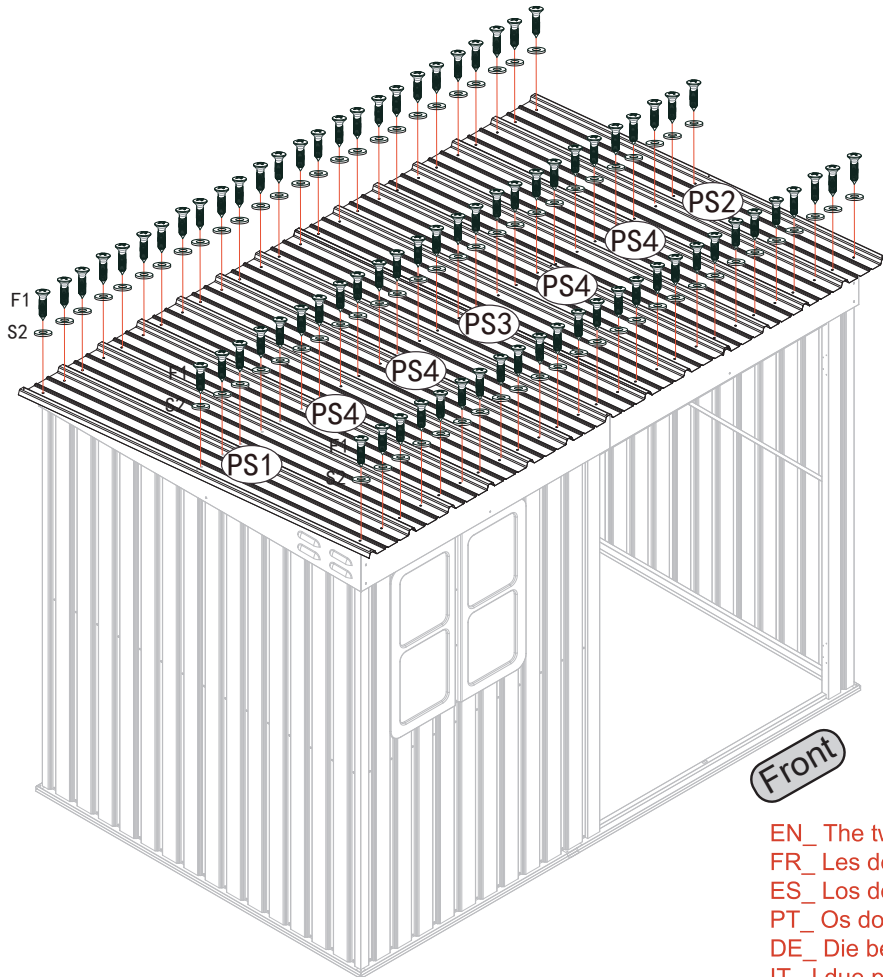
NO.	PART	Qty.
13		2
14		2
F2		8



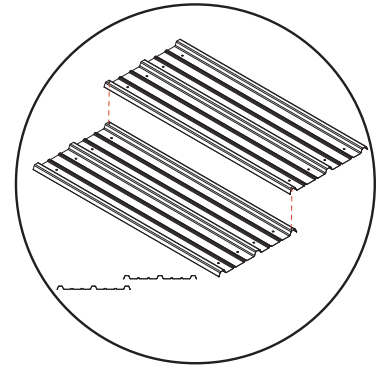
NO.	PART	Qty.
F2		4



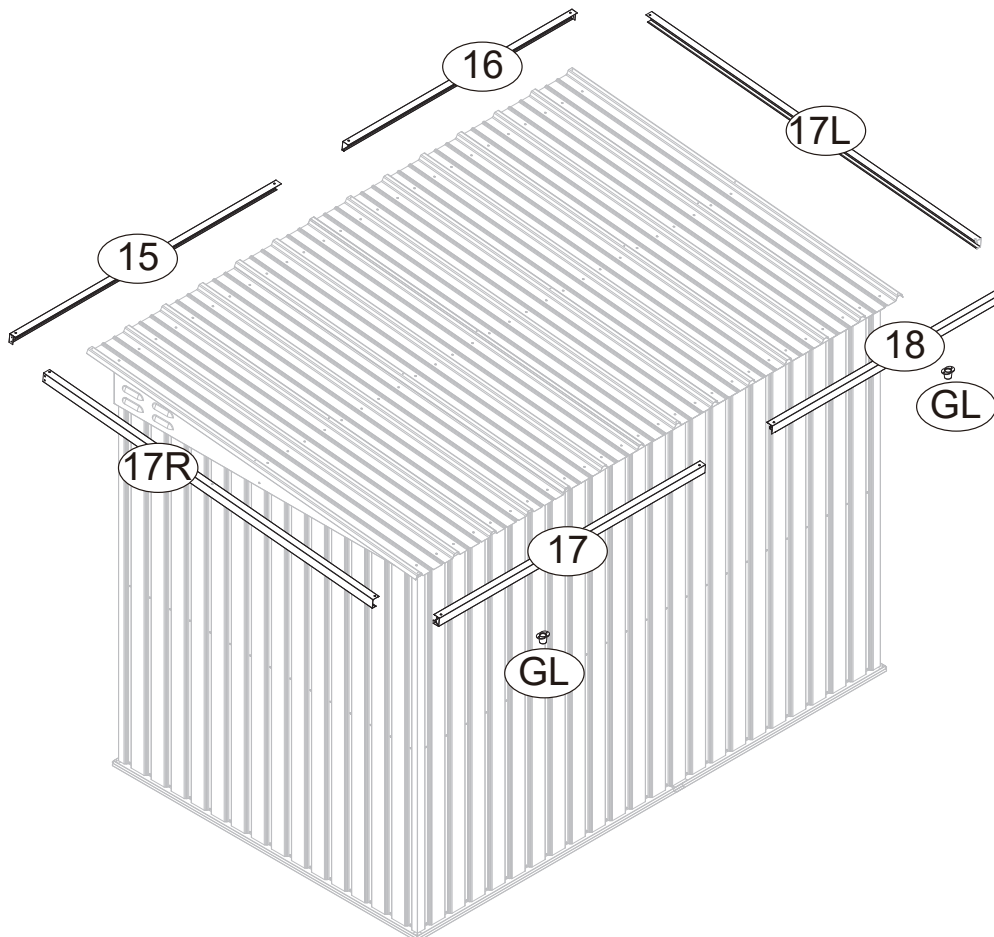
**x2**



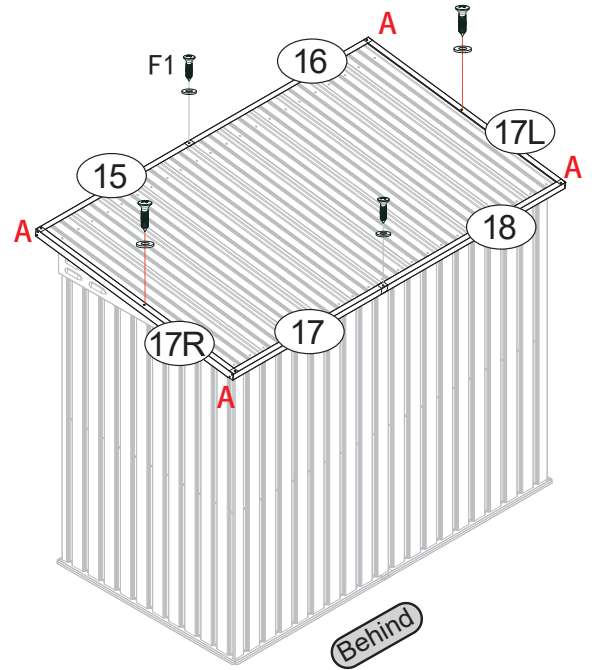
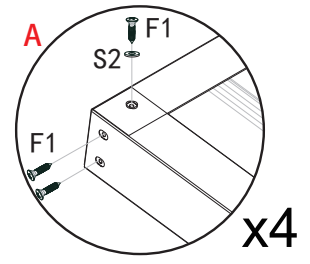
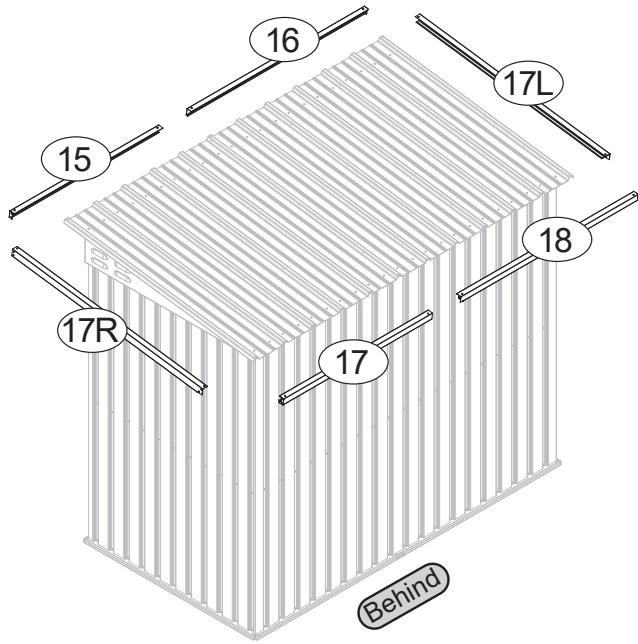
NO.	PART	Qty.
PS1		1
PS2		1
PS3		1
PS4		4
F1		52
S2		52





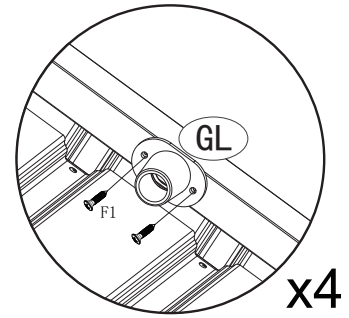
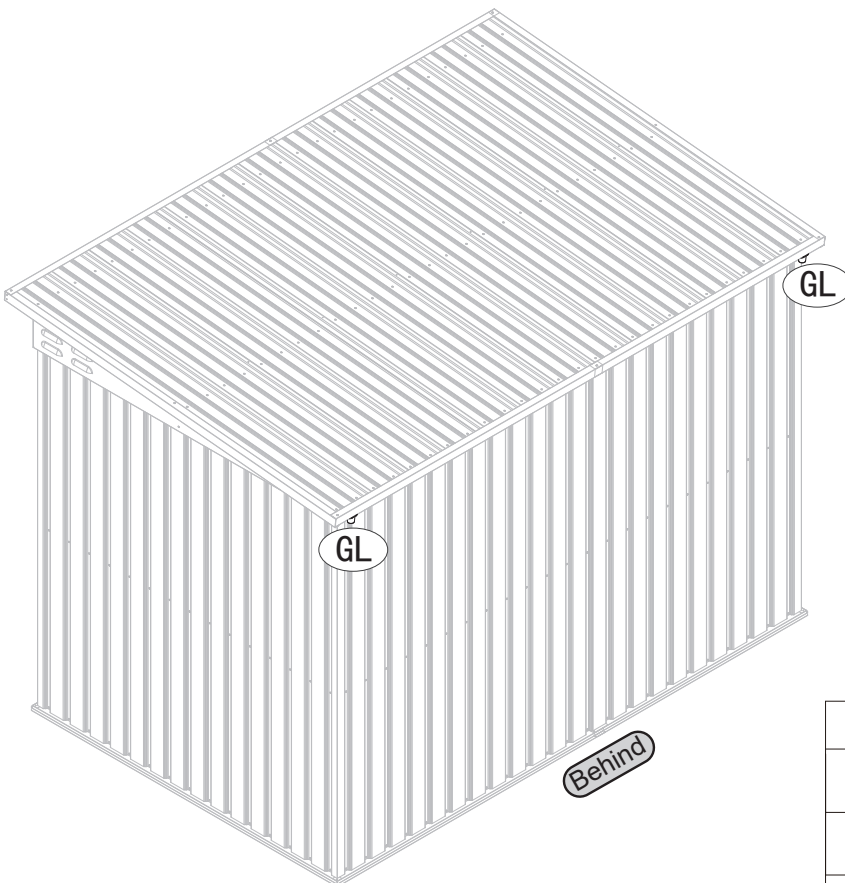
EN\_ The two small holes should coincide  
 FR\_ Les deux petits trous doivent coïncider  
 ES\_ Los dos agujeros pequeños deben coincidir  
 PT\_ Os dois pequenos orifícios devem coincidir  
 DE\_ Die beiden kleinen Löcher sollten übereinstimmen.  
 IT\_ I due piccoli fori devono coincidire






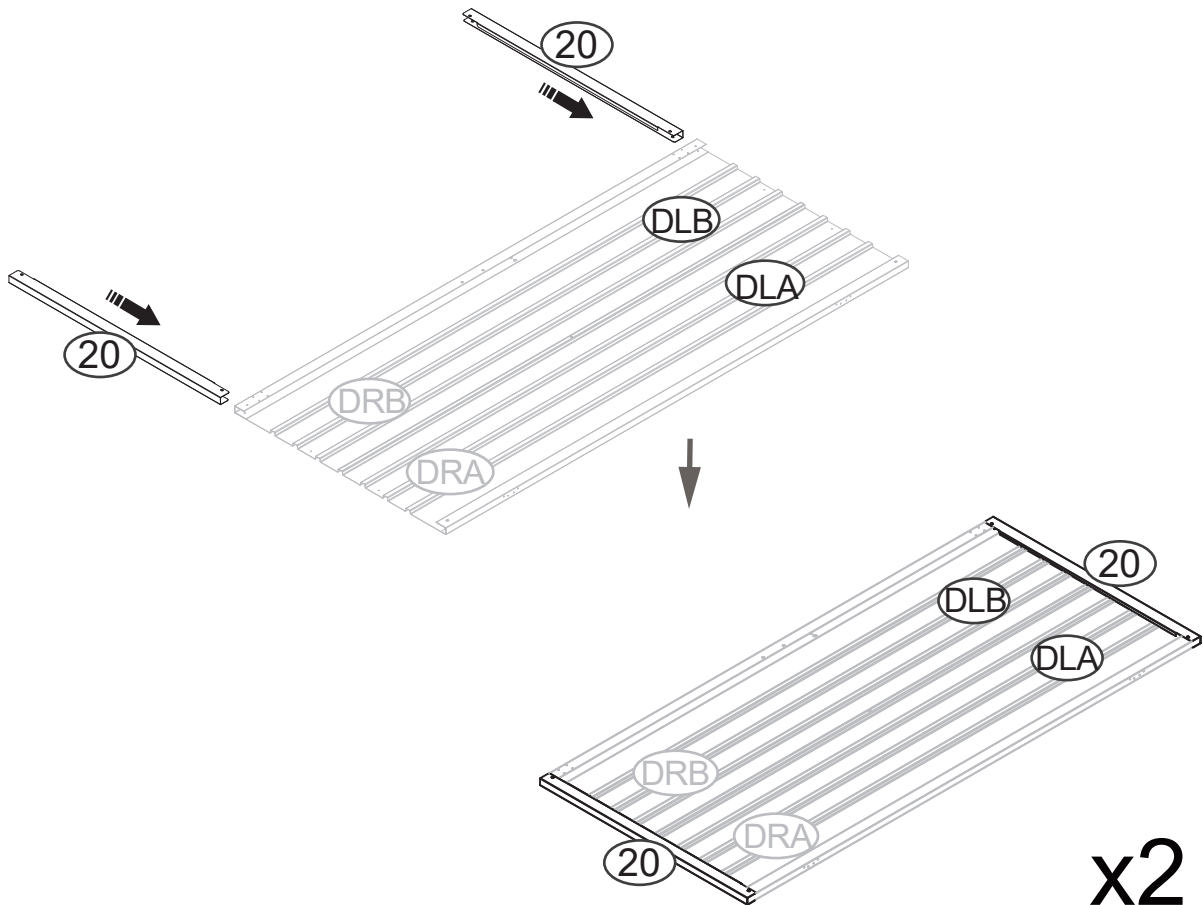
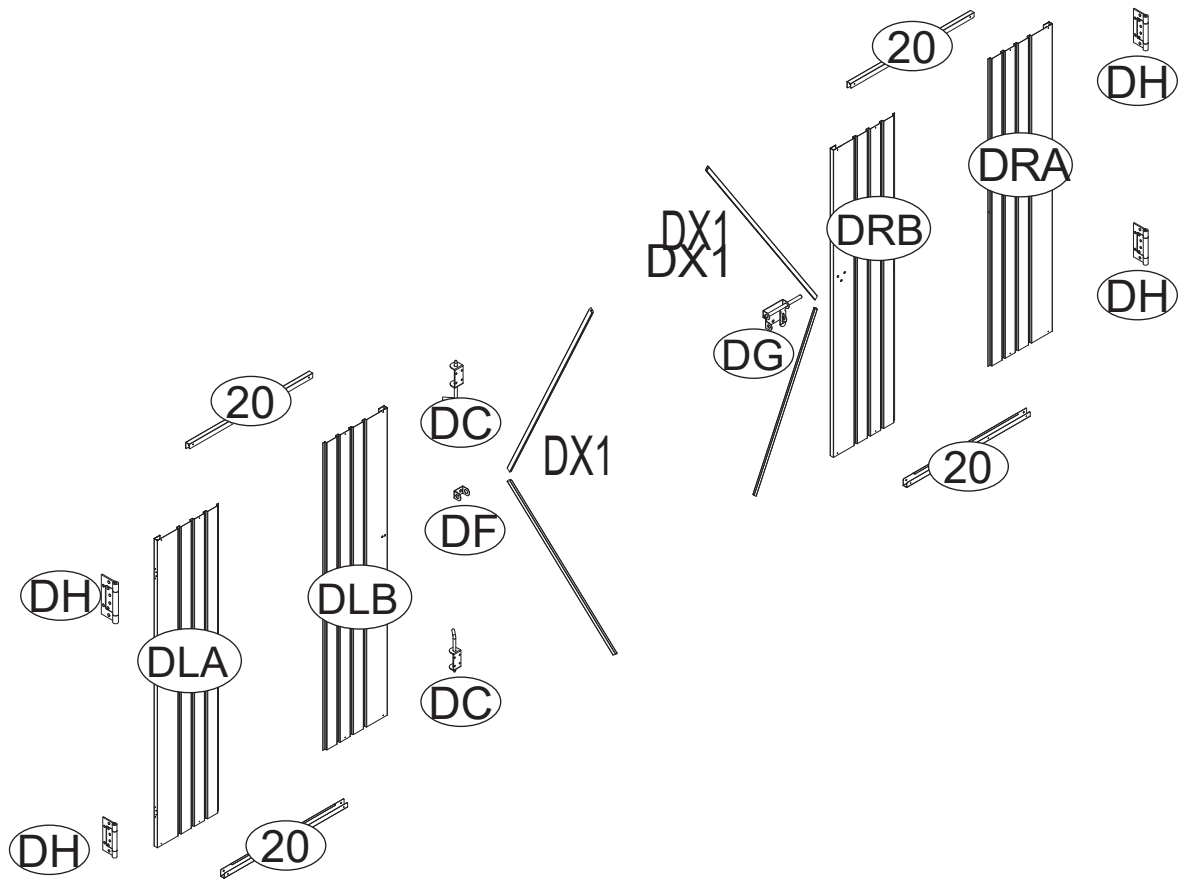
NO.	PART	Qty.
15		1
16		1
17		1
18		1
17L		1
17R		1
GL		2



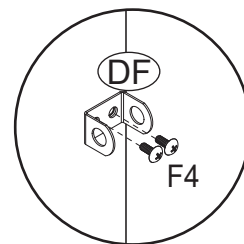
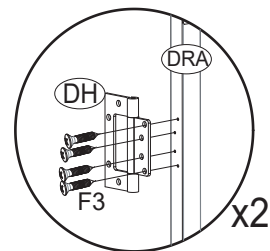
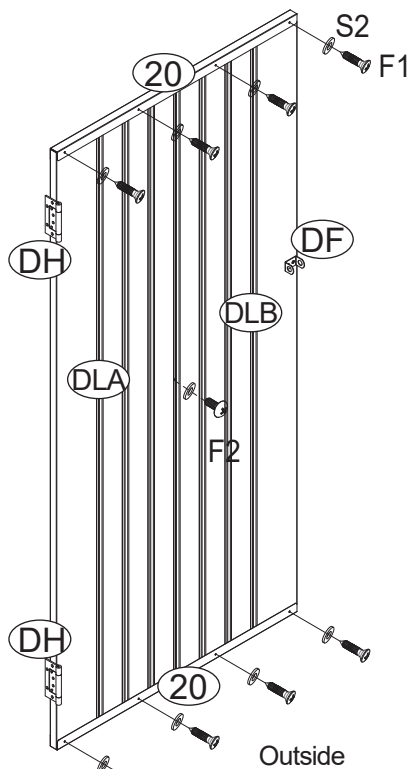
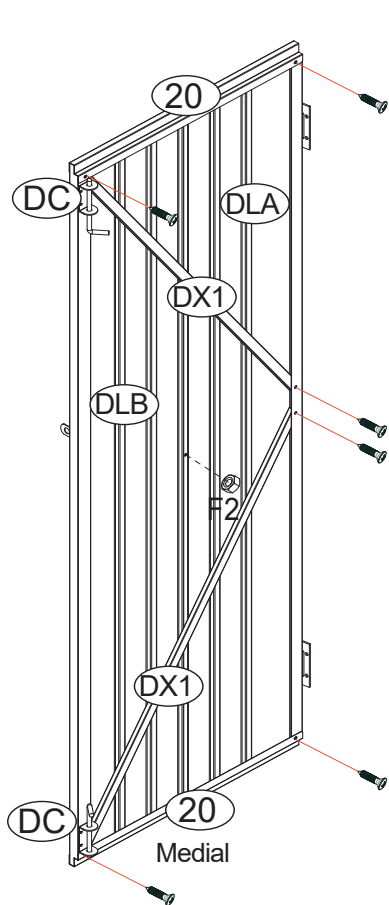
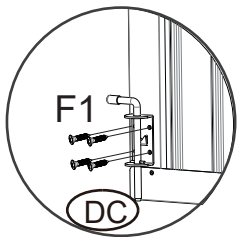
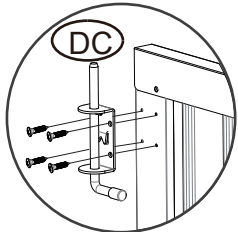
NO.	PART	Qty.
F1		14
S2		14



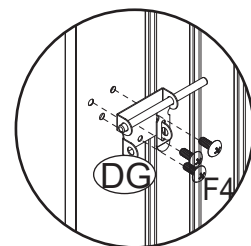
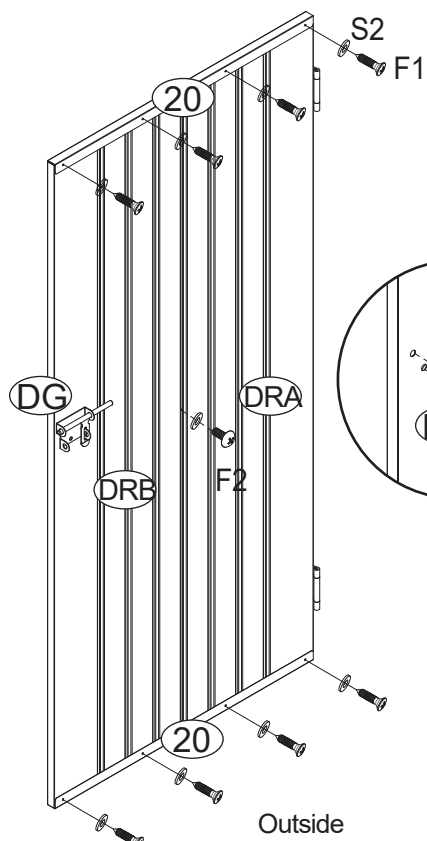
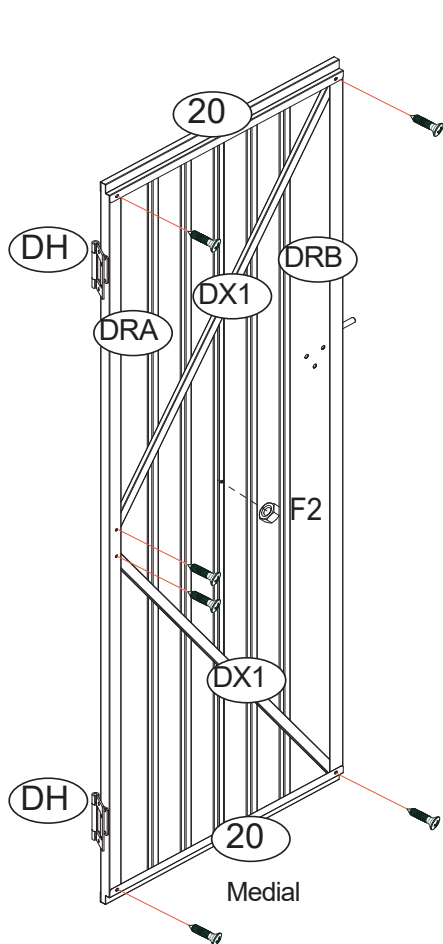
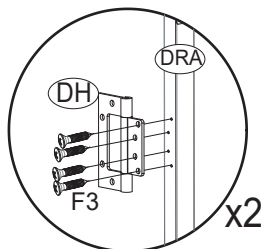
NO.	PART	Qty.
GL		2
F1		4
S2		4

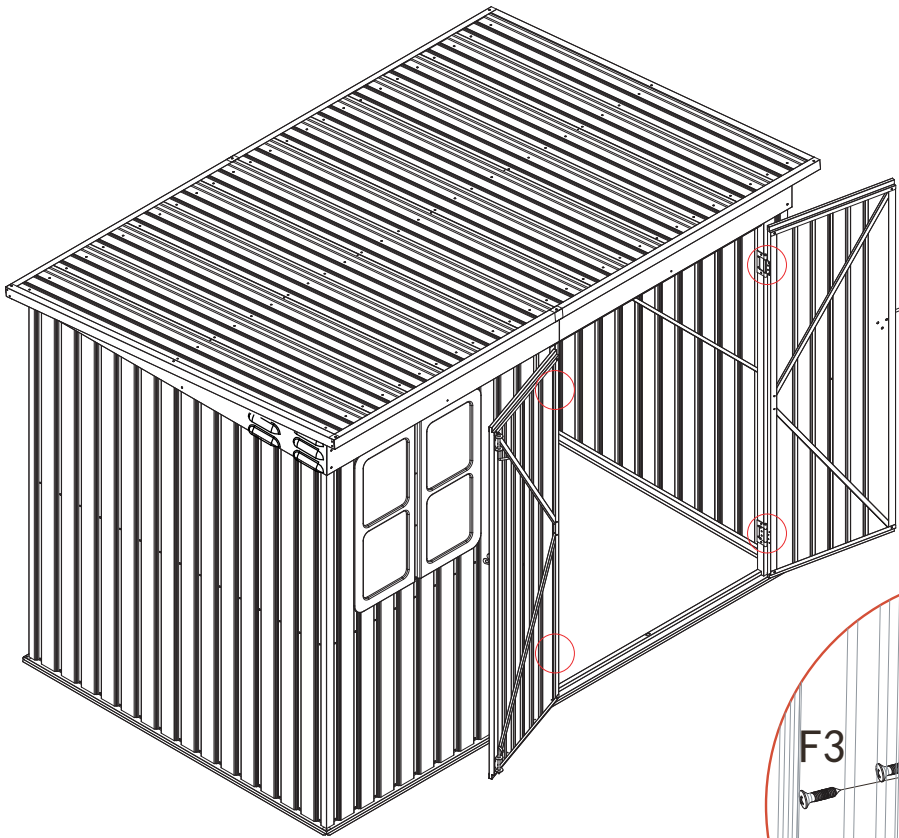


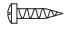

PART	NO.	Qty.
	F2	1
	F4	2
	F1	22
	F3	8
	S2	9

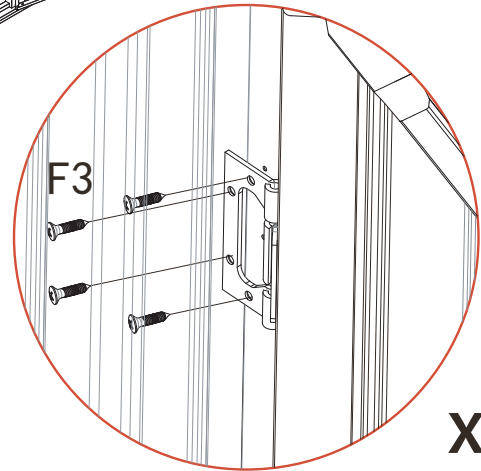


PART	NO.	Qty.
	F2	1
	F4	3
	F1	14
	F3	8
	S2	9





NO.	PART	Qty.
F3		8
S1		129



**x4**

