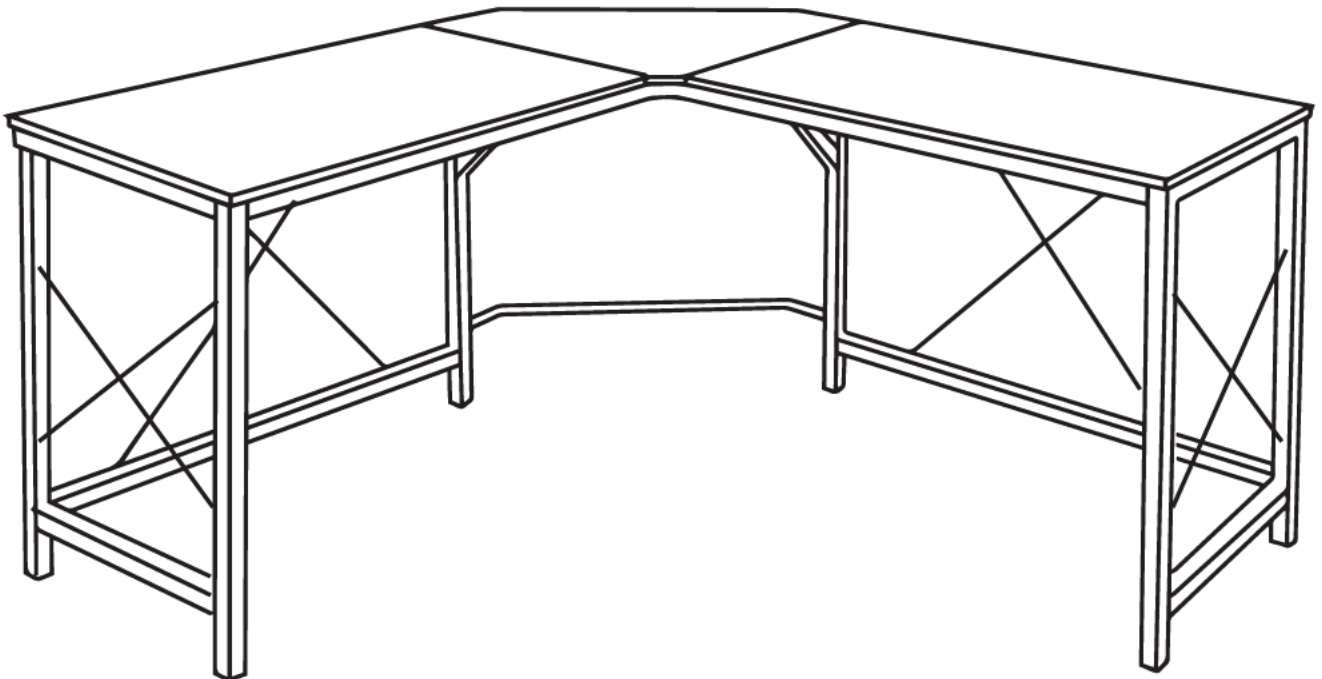
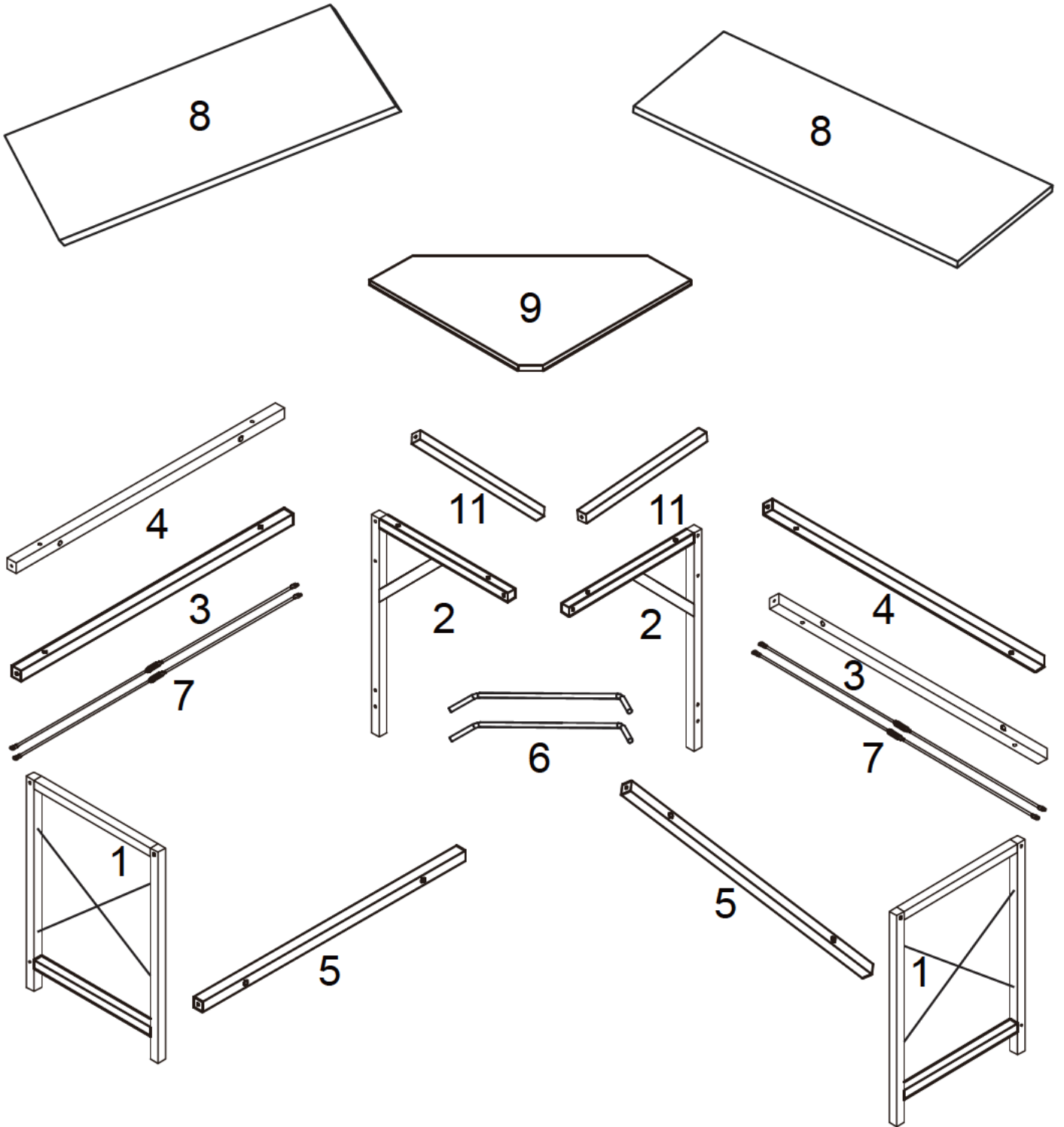


Assembly Instructions

Attention: Do not tighten the screws until all of them are in right positions



Parts List



Hardware List

A



M8

x6

B



M6x12mm

x10

C



M6x40mm

x12

D



M6x45mm

x20

E

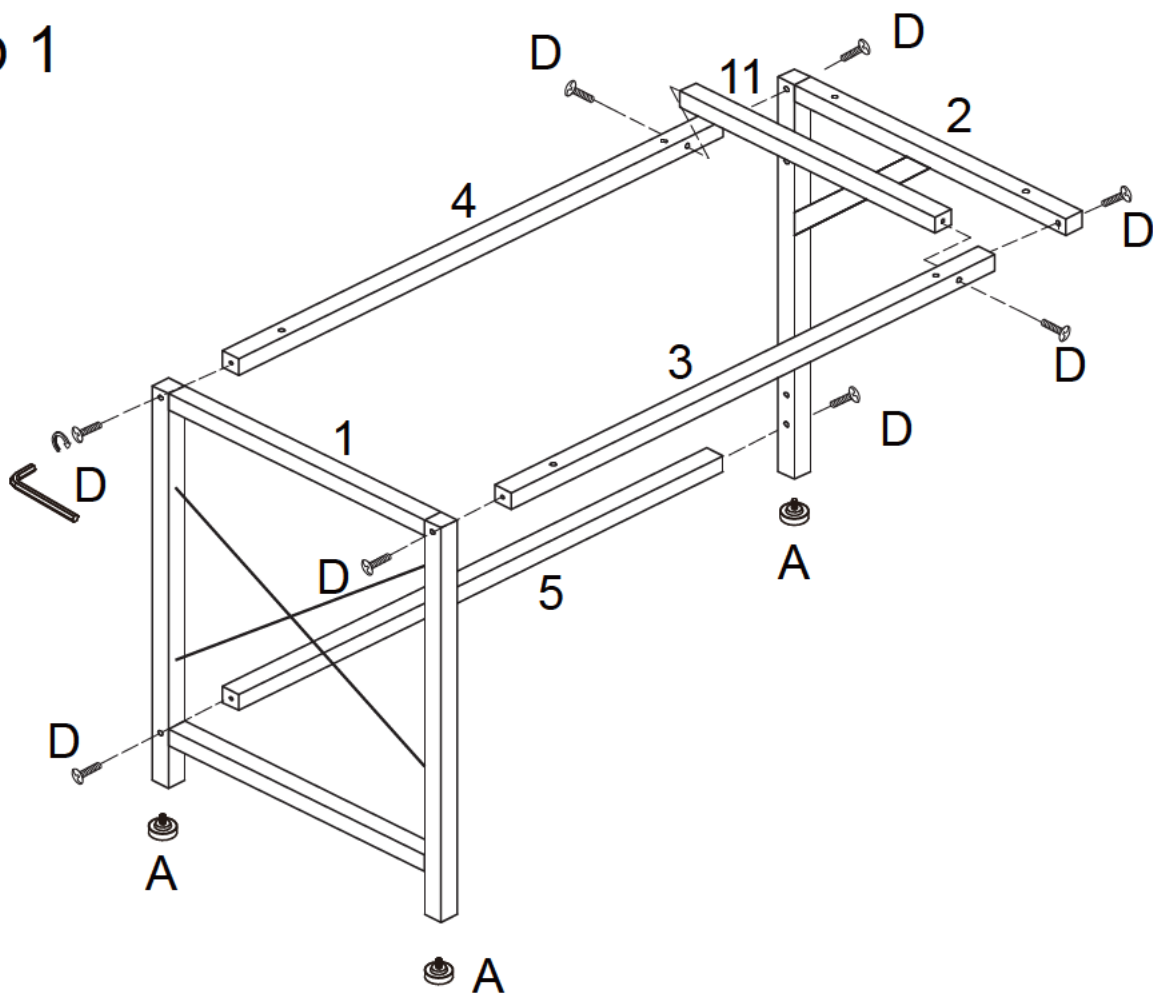


M6

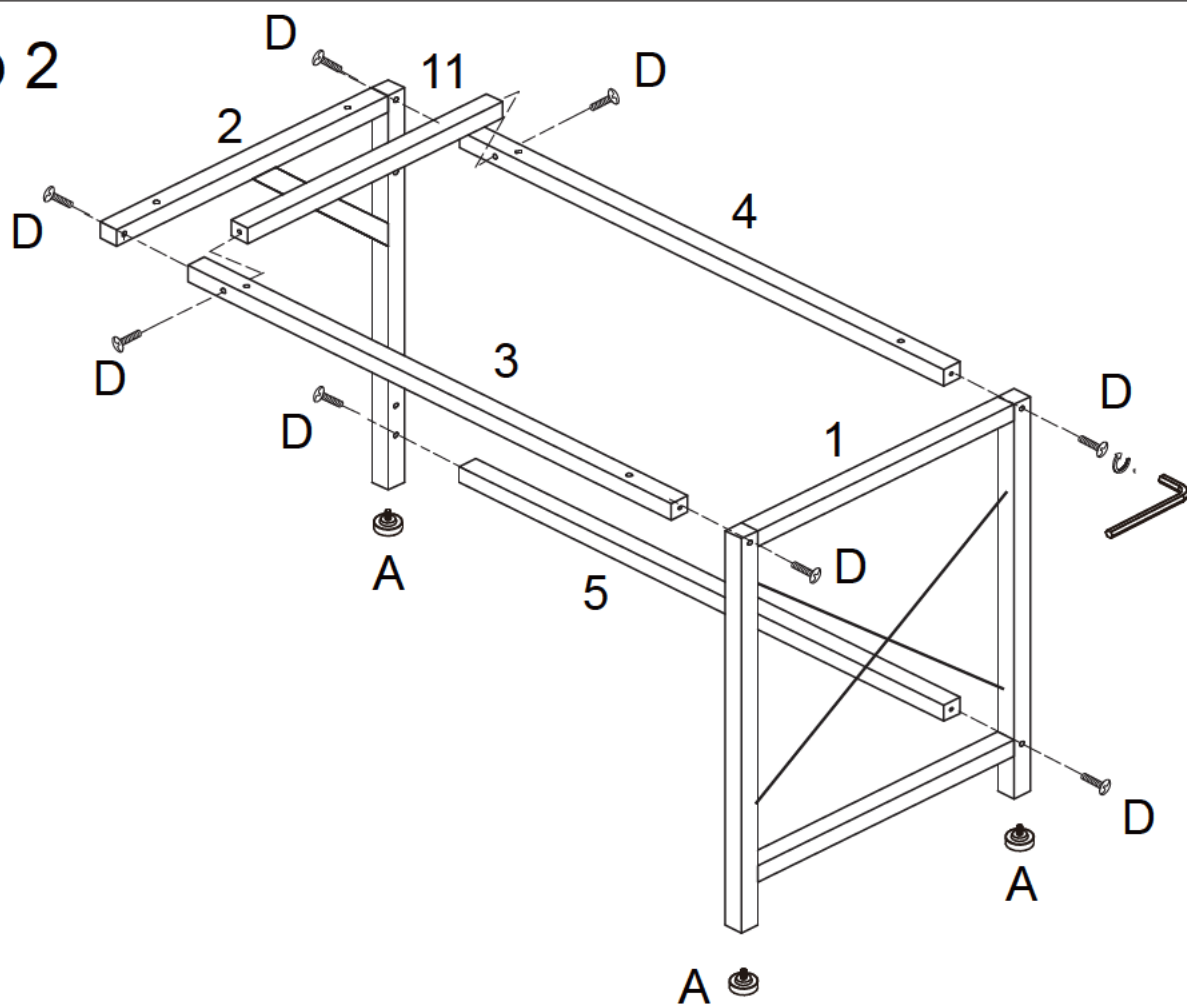
x2



Step 1

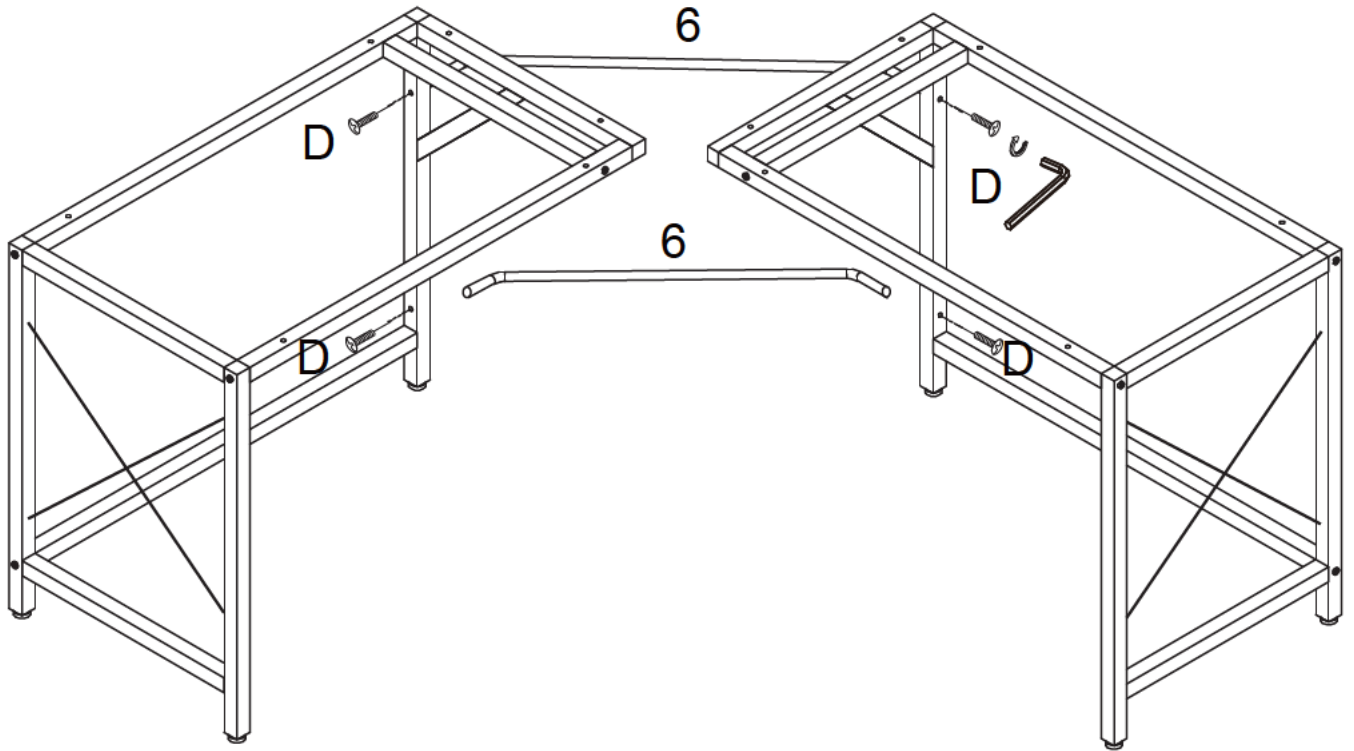


Step 2

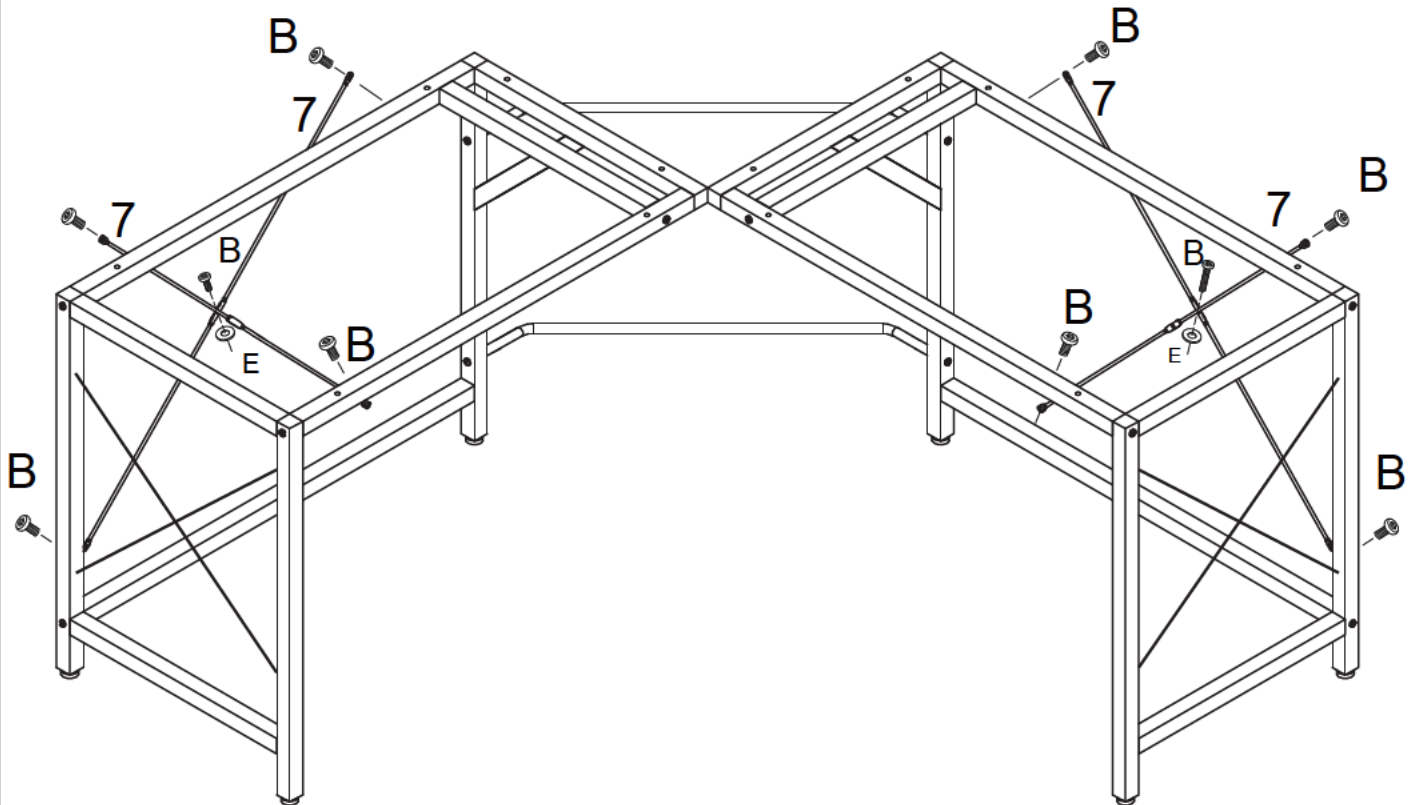


Do NOT tighten the screws until all parts are in right positions.

Step 3

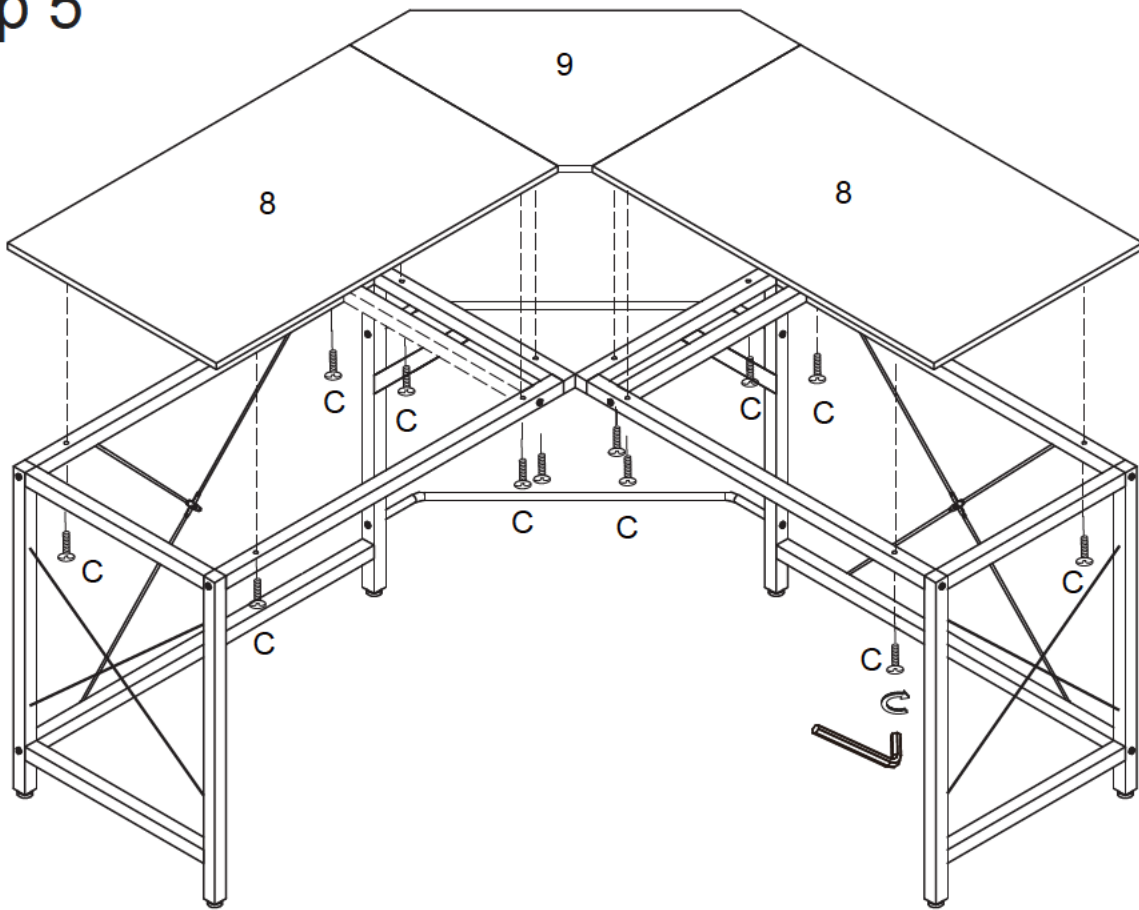


Step 4

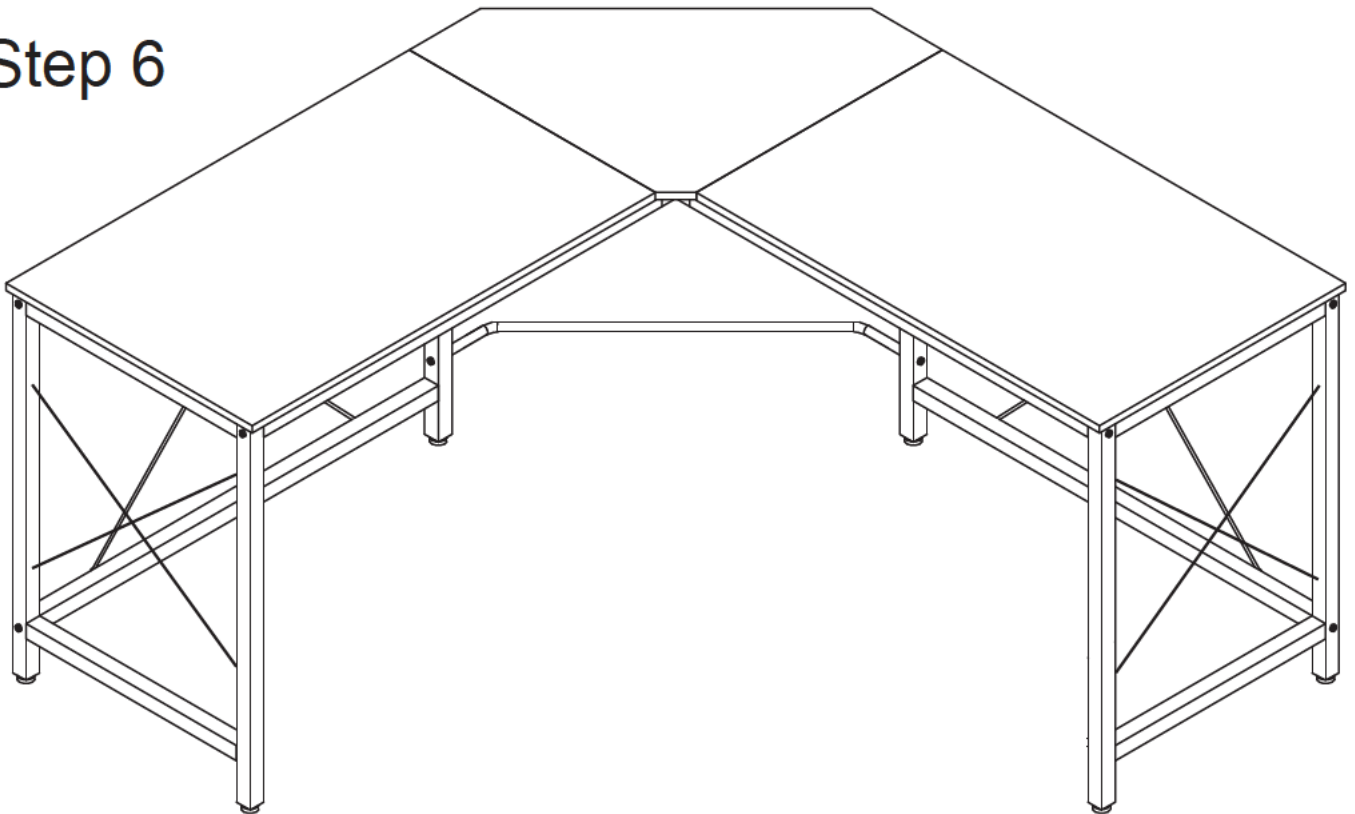


Do NOT tighten the screws until all parts are in right positions.

Step 5



Step 6



Do NOT tighten the screws until all parts are in right positions.

