
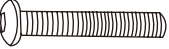
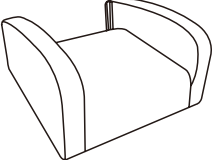

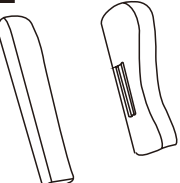
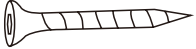
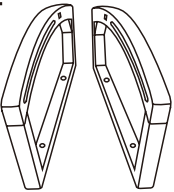
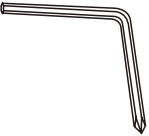
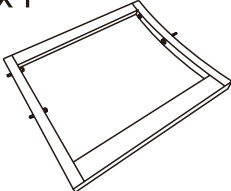



# ASSEMBLY INSTRUCTION

Ax1 	Gx4 
Bx1 	Hx4 
Cx2 	Ix2 
Dx2 	Jx1 
Ex1 	Kx2 
Fx1 